



US00D962557S

(12) **United States Design Patent**  
**Wang**

(10) **Patent No.:** **US D962,557 S**

(45) **Date of Patent:** **\*\* Aug. 30, 2022**

(54) **WATER DRINKING DEVICE FOR ANIMALS**

(71) Applicant: **Lingbo Wang**, Hubei (CN)

(72) Inventor: **Lingbo Wang**, Hubei (CN)

(\*\*) Term: **15 Years**

(21) Appl. No.: **29/777,675**

(22) Filed: **Apr. 7, 2021**

(30) **Foreign Application Priority Data**

Oct. 12, 2020 (CN) ..... 202030604407.1

(51) **LOC (13) Cl.** ..... **30-03**

(52) **U.S. Cl.**  
USPC ..... **D30/132**

(58) **Field of Classification Search**  
USPC ..... D23/202, 207, 209, 213, 222, 225,  
D23/255-256, 272-273; D30/121-133  
CPC .. A01K 5/0114; A01K 5/0121; A01K 5/0135;  
A01K 7/005; A01K 7/00; A01K 39/02;  
F04B 23/00; F04B 23/02; Y10T  
137/86035; Y10T 137/8376  
See application file for complete search history.

(56) **References Cited**

**U.S. PATENT DOCUMENTS**

- 4,085,706 A \* 4/1978 Evans ..... A01K 5/0114  
119/61.54
- D555,295 S \* 11/2007 Donegan ..... D30/121
- D582,102 S \* 12/2008 Roes ..... D30/121
- D623,806 S \* 9/2010 Modi ..... D30/129
- D636,539 S \* 4/2011 Montoya ..... D30/129
- D694,477 S \* 11/2013 Rowe ..... D30/132
- D696,820 S \* 12/2013 DiOrio ..... D30/124

- D704,903 S \* 5/2014 Fang ..... D30/132
- D739,176 S \* 9/2015 Renforth ..... D7/396.6
- D764,117 S \* 8/2016 Fang ..... D30/132
- D805,700 S \* 12/2017 Owens, III ..... A01K 5/0114  
D30/129
- D819,898 S \* 6/2018 Poisson ..... A01K 7/005  
D30/132
- 2019/0159426 A1\* 5/2019 Pyter ..... A01K 7/005

\* cited by examiner

*Primary Examiner* — Karen S Acker  
*Assistant Examiner* — Jonathan E Fiencke

(57) **CLAIM**

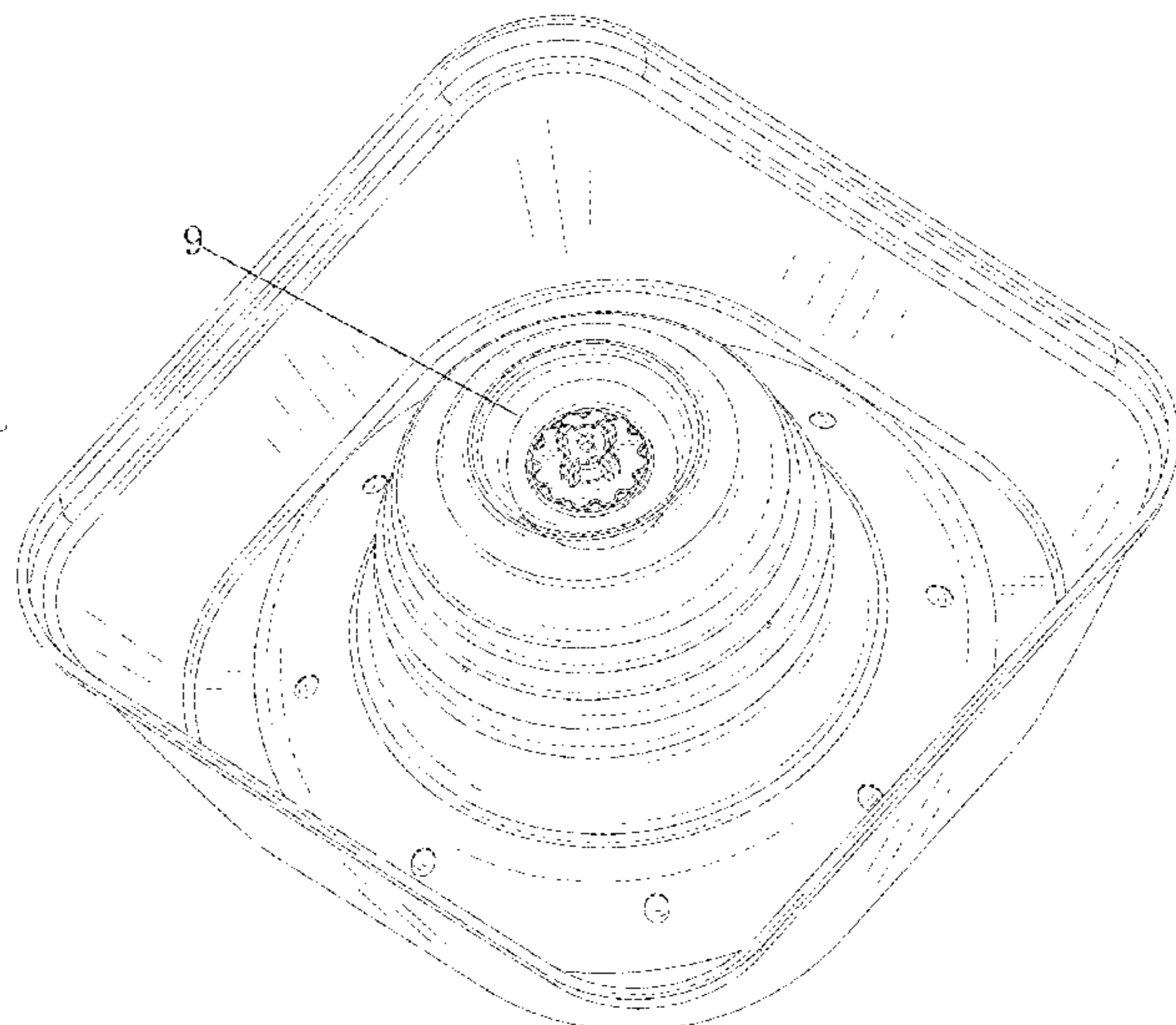
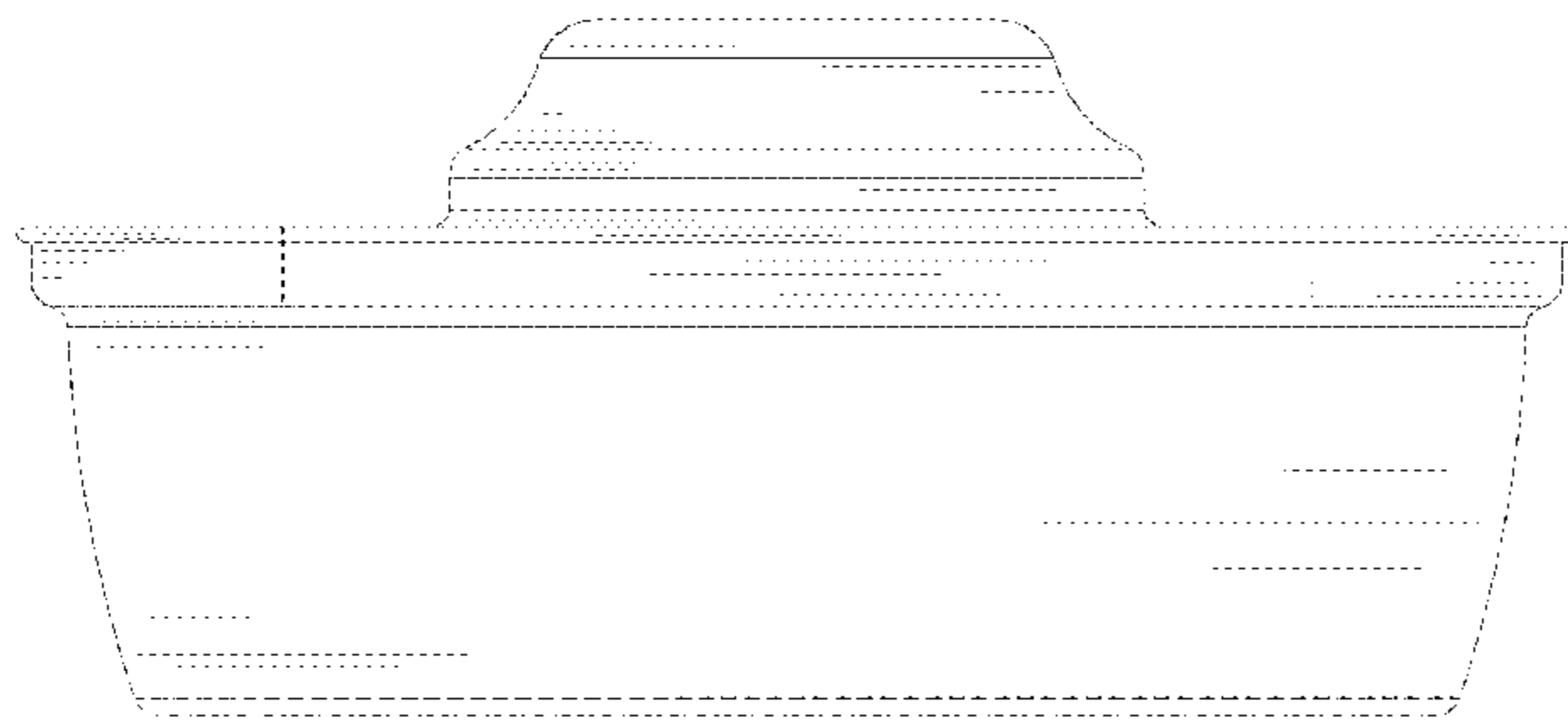
The ornamental design for a water drinking device for animals, as shown and described.

**DESCRIPTION**

FIG. 1 is a front elevational view of a water drinking device for animals showing my new design; FIG. 2 is a rear elevational view thereof; FIG. 3 is a left side view thereof; FIG. 4 is a right side view thereof; FIG. 5 is a top plan view thereof; FIG. 6 is a bottom plan view thereof; FIG. 7 is a top perspective view thereof; FIG. 8 is a bottom perspective view thereof; and, FIG. 9 is an enlarged detail view of area 9 circumscribed within FIG. 7.

The broken lines depict portions of the water drinking device for animals which form no part of the claimed design. The dot dash dot broken lines denote the boundaries of the detail areas and form no part of the claim.

**1 Claim, 9 Drawing Sheets**



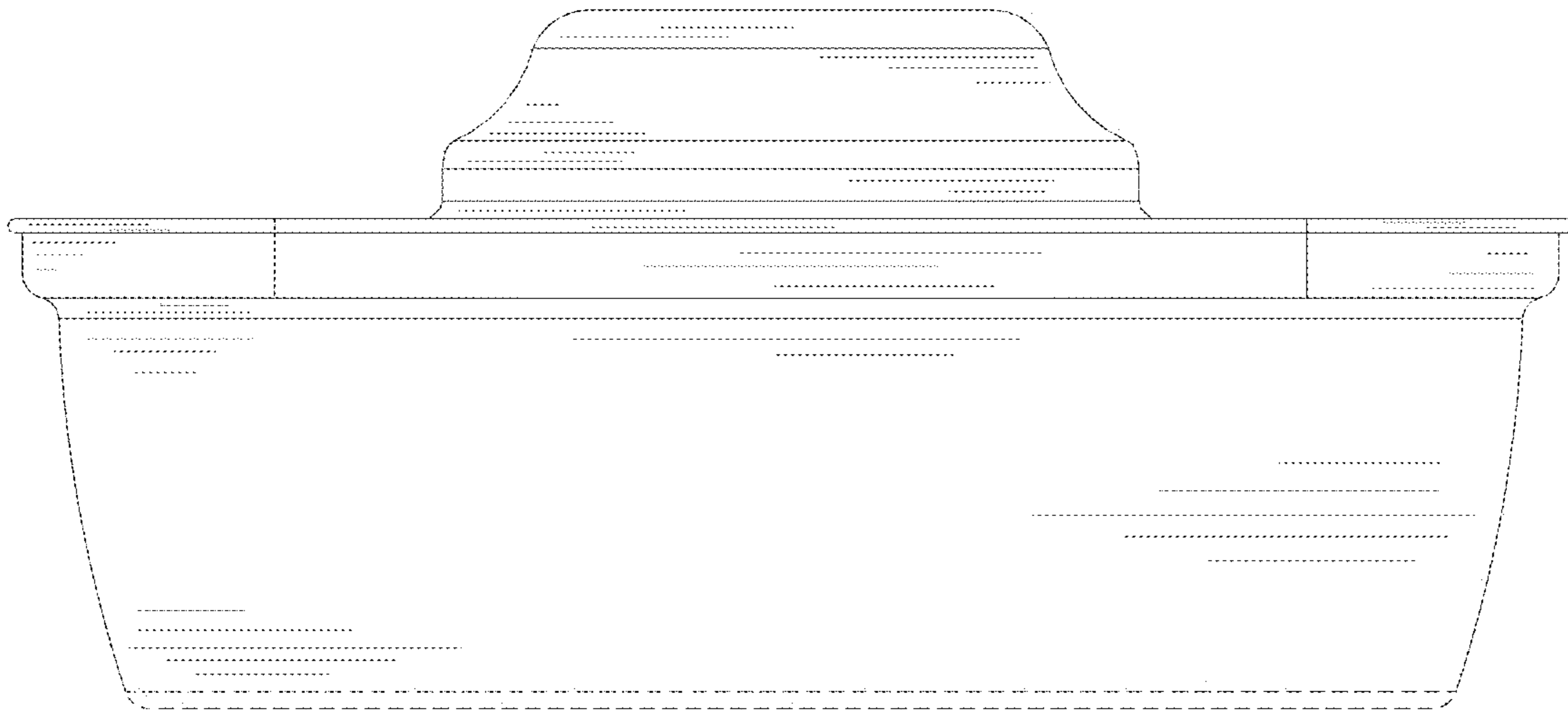


FIG.1

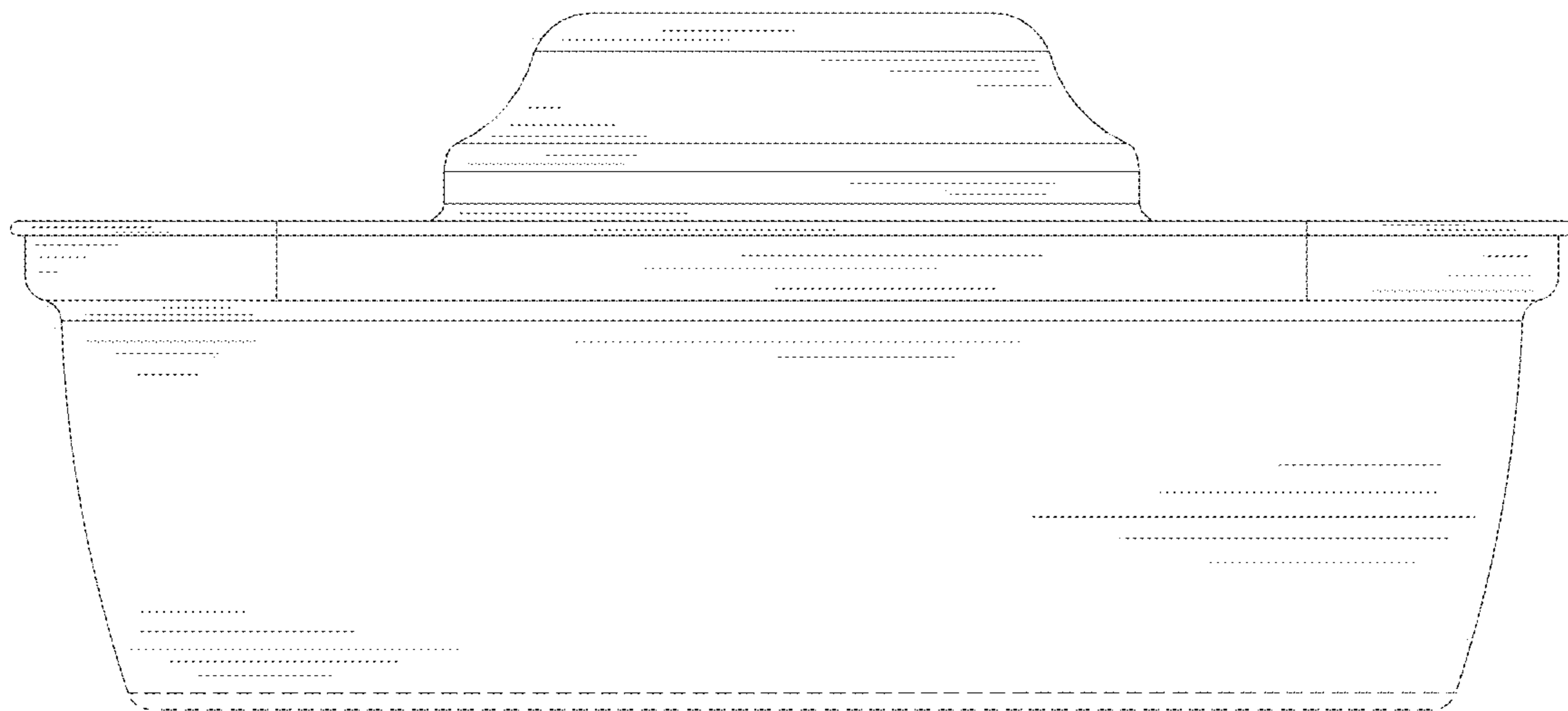


FIG.2

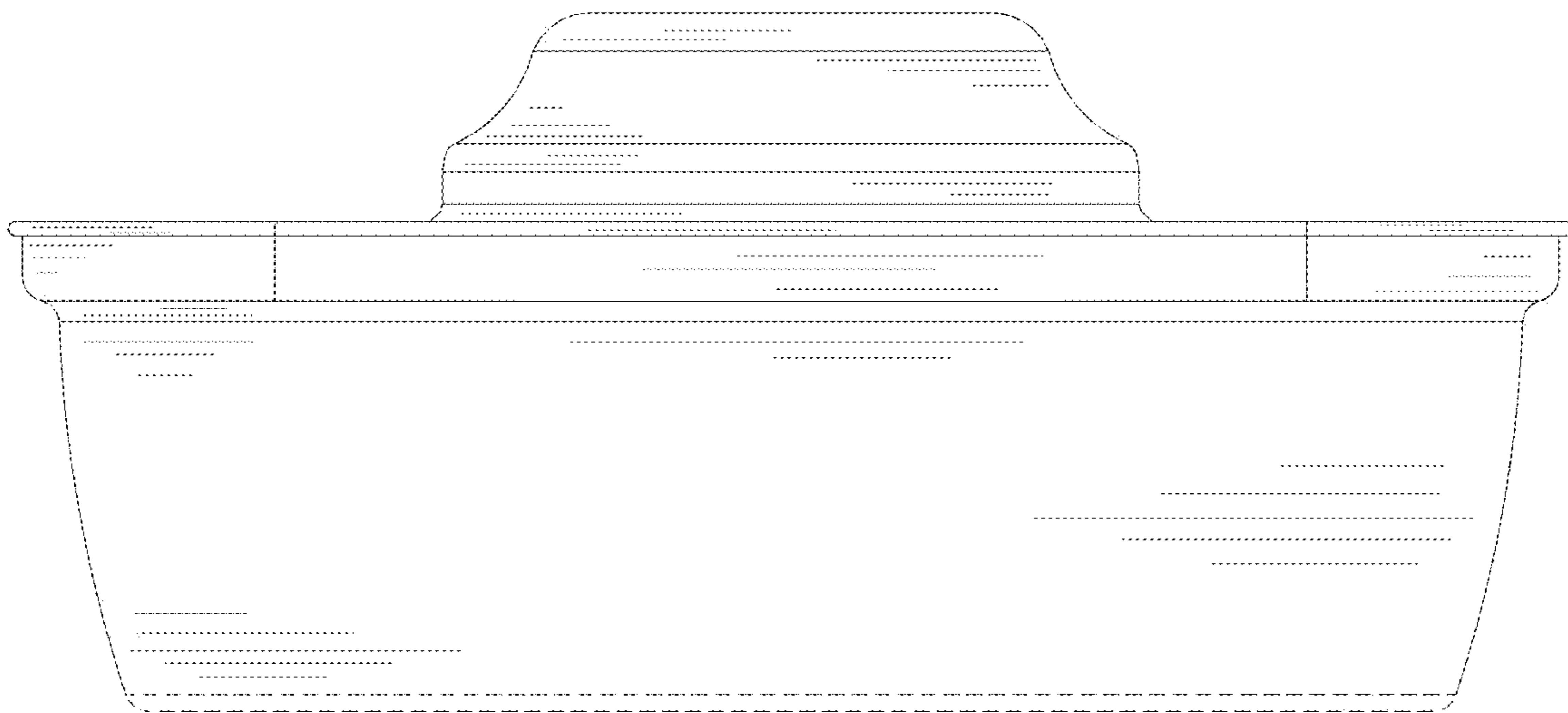


FIG.3

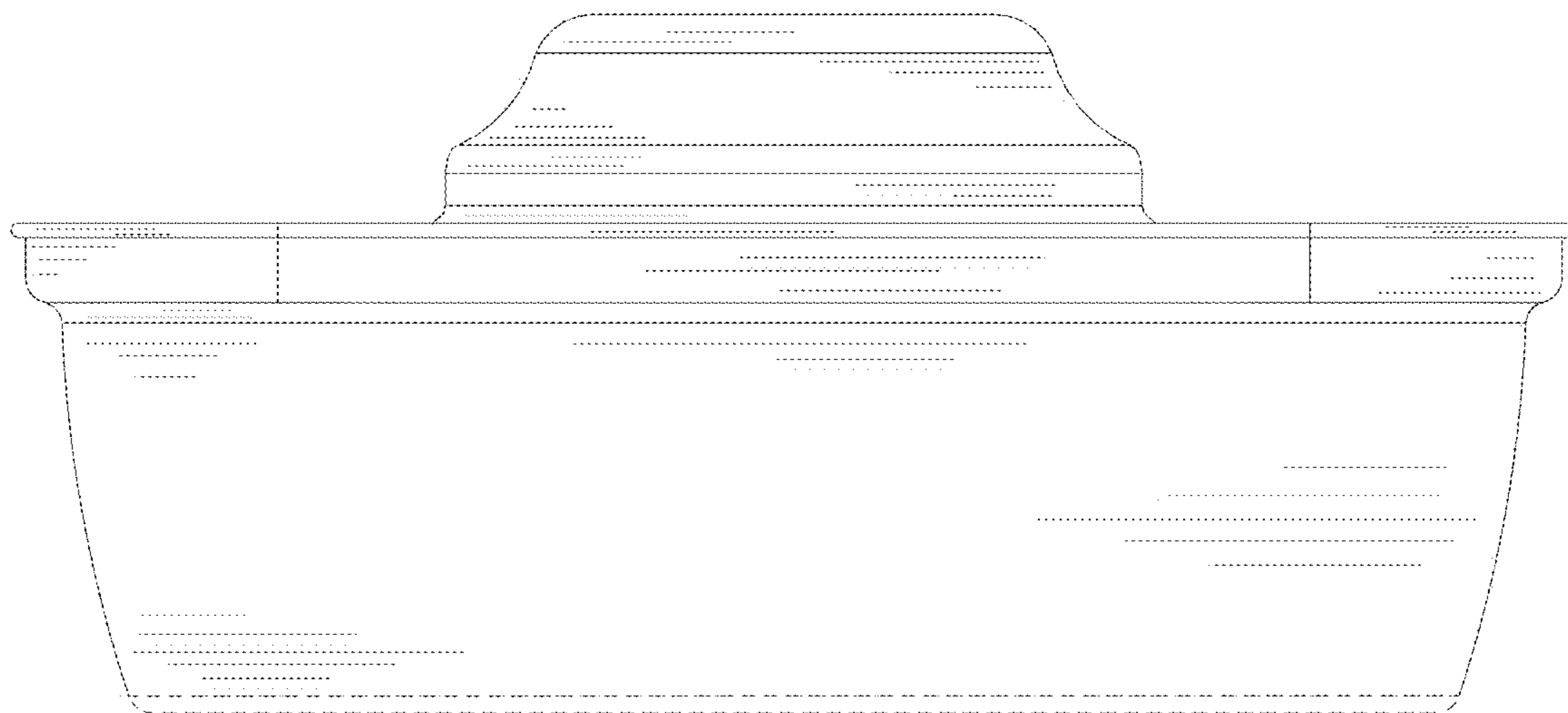


FIG. 4

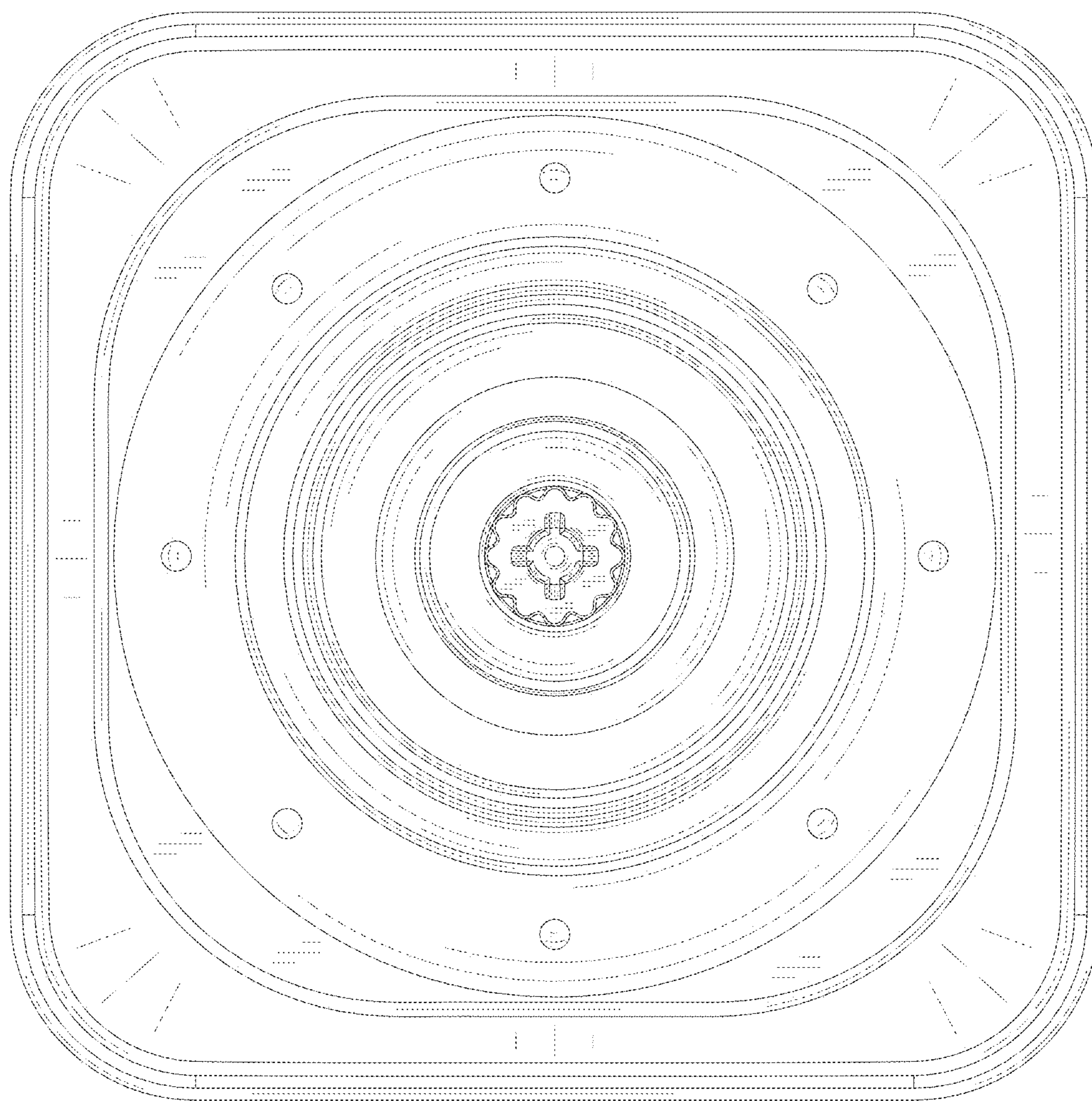


FIG.5



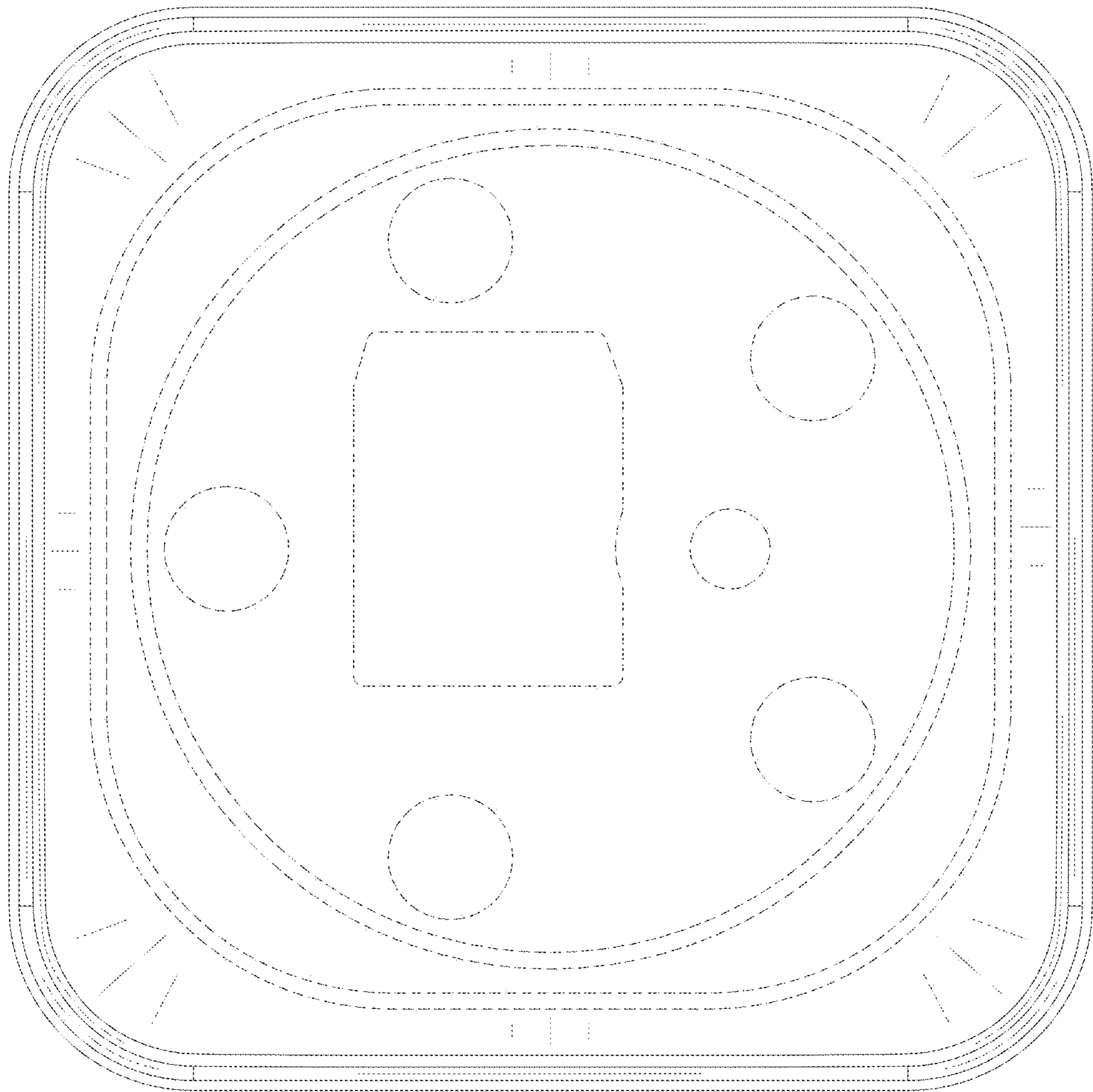


FIG.6

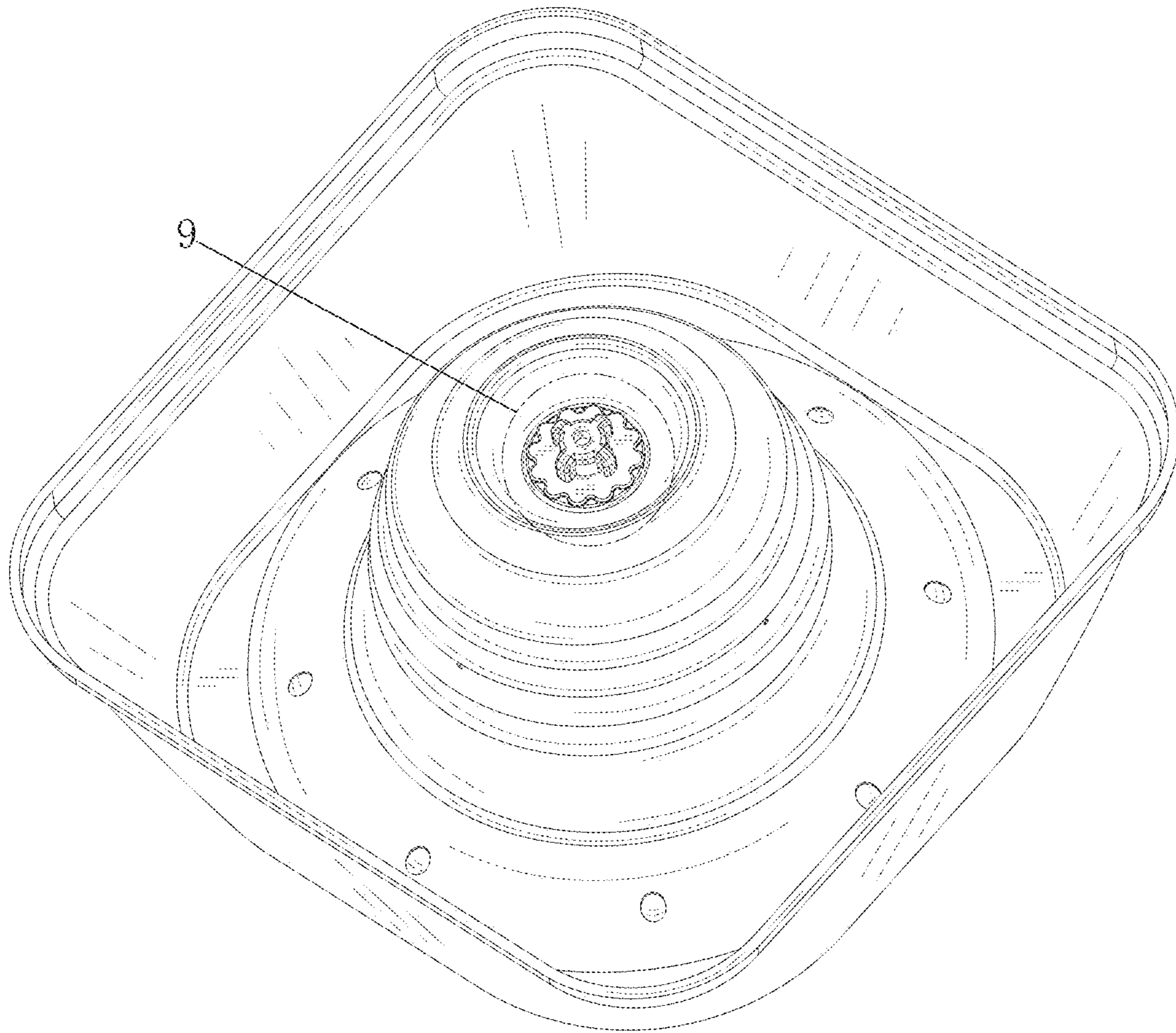


FIG. 7



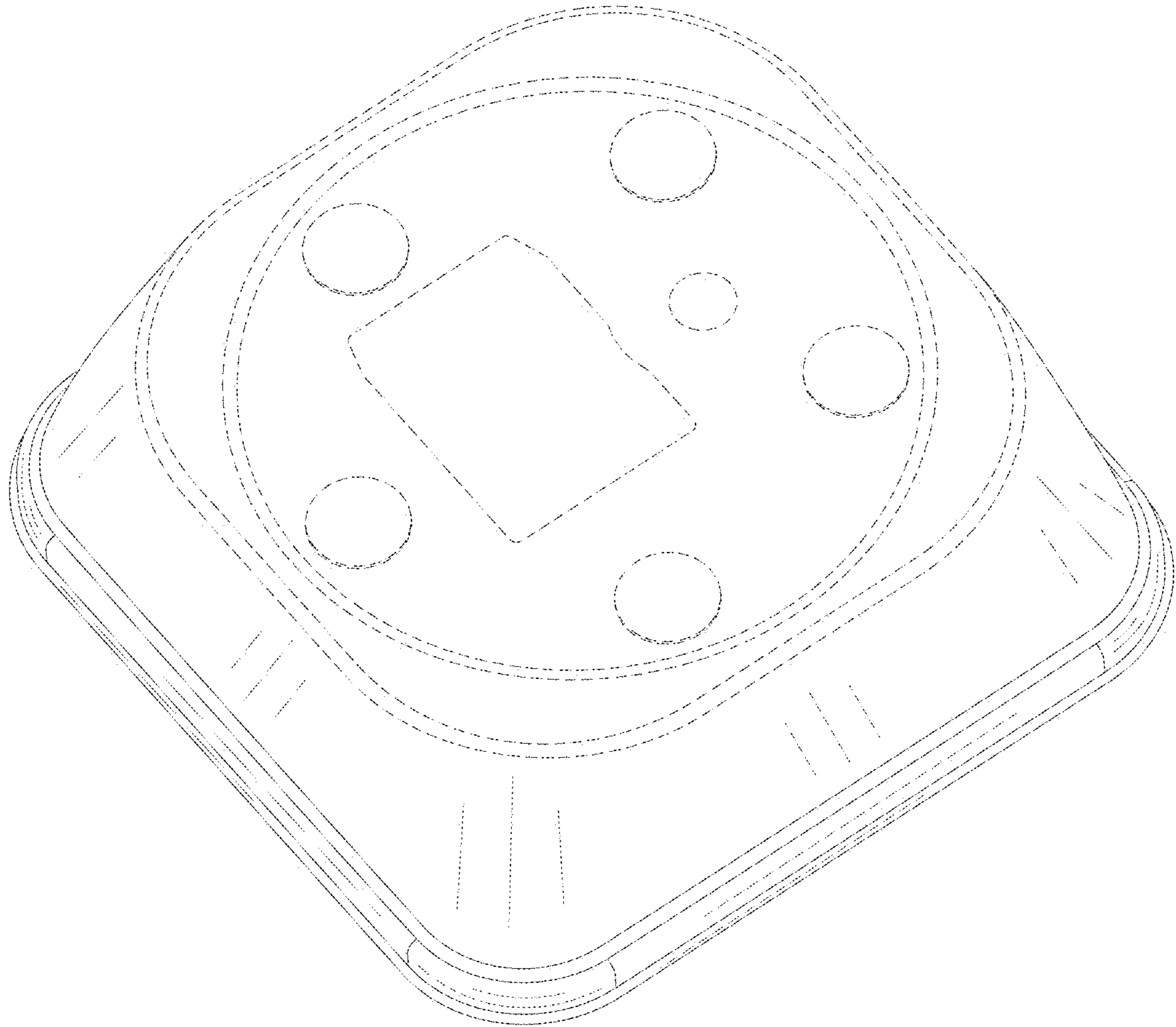


FIG.8

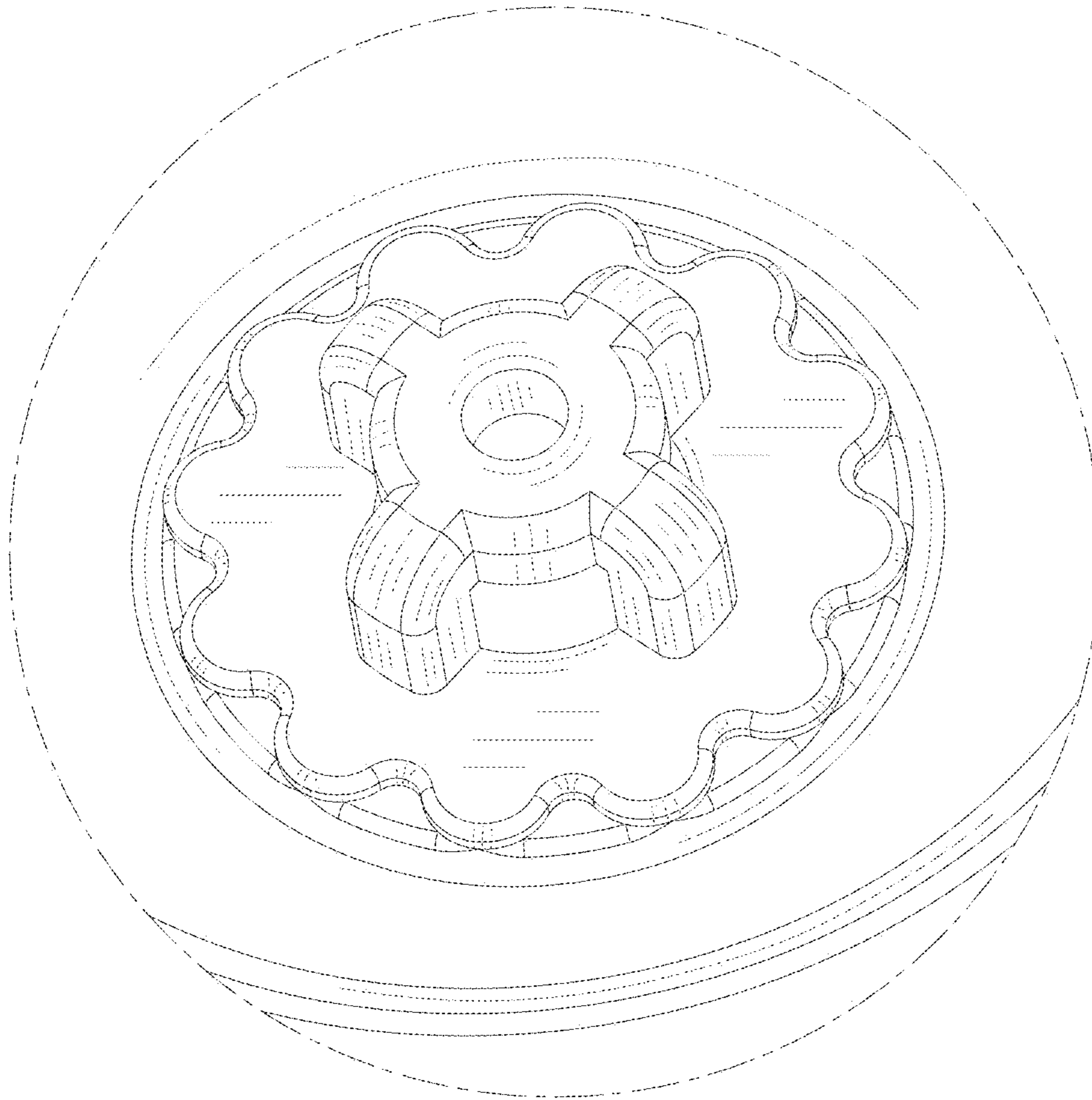


FIG. 9