



US00D962555S

(12) **United States Design Patent**
Xu

(10) **Patent No.:** **US D962,555 S**
(45) **Date of Patent:** **** Aug. 30, 2022**

- (54) **PET BED**
- (71) Applicant: **Wuhan Lewei E-Commerce Co., Ltd.,**
Wuhan (CN)
- (72) Inventor: **Wei Xu,** Wuhan (CN)
- (73) Assignee: **Wuhan Lewei E-Commerce Co., Ltd.,**
Wuhan (CN)
- (**) Term: **15 Years**
- (21) Appl. No.: **29/769,758**
- (22) Filed: **Feb. 8, 2021**

5,992,348 A * 11/1999 Harding A47C 23/26
119/28.5
D431,695 S * 10/2000 Burt D30/118
6,343,390 B1 * 2/2002 Yang A47D 13/063
5/98.1
6,385,800 B1 * 5/2002 Chen A47D 13/063
5/93.1

(Continued)

OTHER PUBLICATIONS

Veehoo Chew Proof Elevated Dog Bed, posted at amazon.com, earliest date available Aug. 5, 2021, [online], acquired on Apr. 8, 2022, Available on internet. url:https://www.amazon.com/Veehoo-Chew-Proof-Elevated-Dog/dp/B09BYX4XZV/ref=cm_cr_ar_p_d_product_top?ie=UTF8&th=1 (Year: 2021).*

Primary Examiner — Sheryl Lane

Assistant Examiner — Aula Soroush

(74) *Attorney, Agent, or Firm* — Bayramoglu Law Offices LLC

- Related U.S. Application Data**
- (62) Division of application No. 29/746,137, filed on Aug. 12, 2020, now Pat. No. Des. 928,420.
 - (51) **LOC (13) Cl.** **30-06**
 - (52) **U.S. Cl.**
USPC **D30/118**
 - (58) **Field of Classification Search**
USPC D30/118-119, 158, 160; D21/520;
D6/349, 382, 595-605, 610-611
CPC A01K 1/00; A01K 1/0272; A01K 1/0353;
A01K 1/035
See application file for complete search history.

(57) **CLAIM**

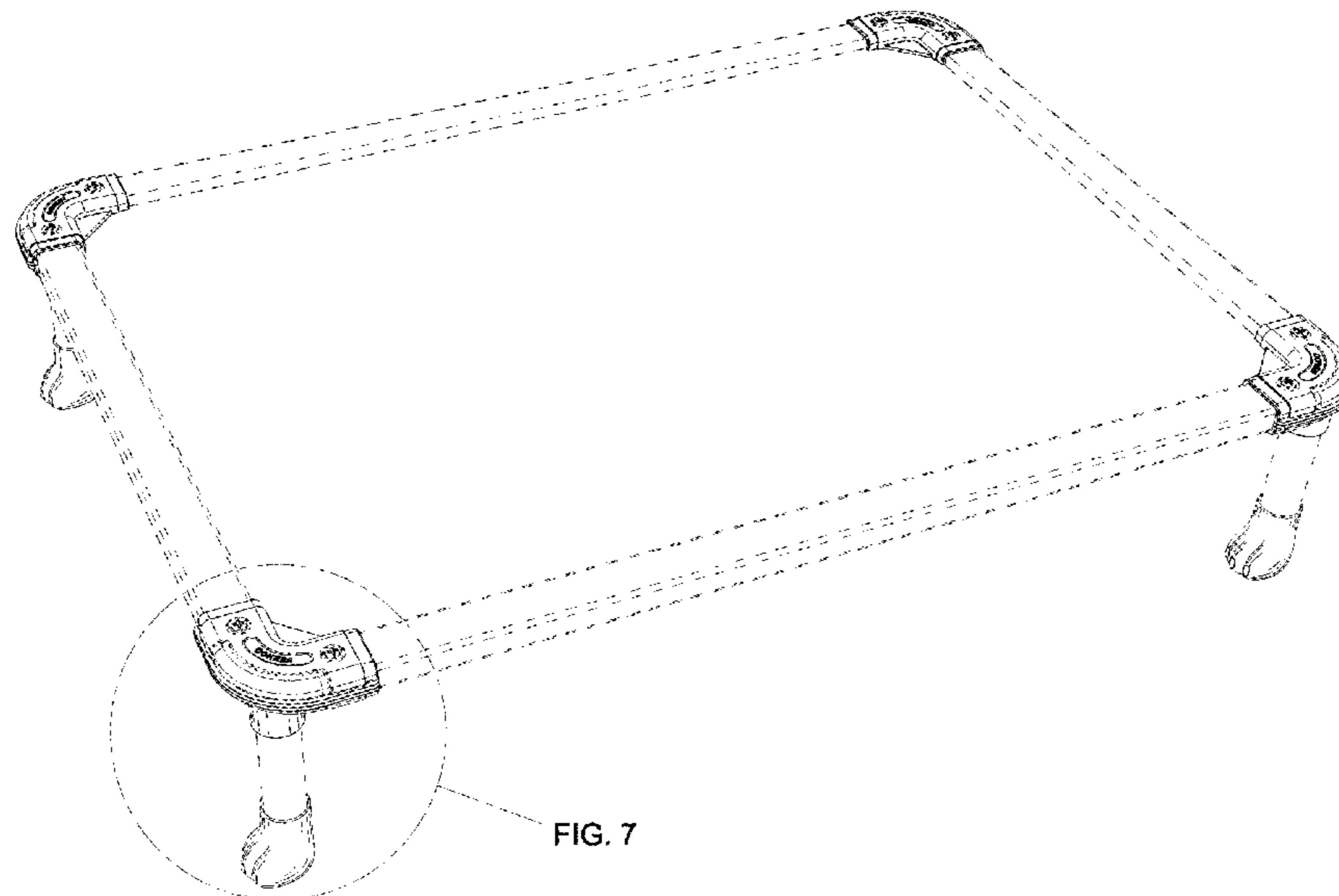
The ornamental design for a pet bed, as shown and described.

DESCRIPTION

FIG. 1 is a perspective view of a pet bed showing my new design;
 FIG. 2 is a top plan view thereof;
 FIG. 3 is a bottom plan view thereof;
 FIG. 4 is a front elevation view thereof;
 FIG. 5 is a right side elevation view thereof;
 FIG. 6 is a left side elevation view thereof; and,
 FIG. 7 is an enlarged view indicating the circled area in FIG. 1.
 The broken lines depict portions of the pet bed in which the design is embodied that form no part of the claimed design. The dot-dash broken lines indicating an enlargement portion of the design form no part of the claimed design.

- (56) **References Cited**
U.S. PATENT DOCUMENTS
- 1,820,284 A * 8/1931 Mills A01K 1/0353
119/28.5
- 1,820,285 A * 8/1931 Mills A47C 19/12
5/187
- 2,871,489 A * 2/1959 Emmert A47C 17/70
5/114
- D379,682 S * 6/1997 Rafaat D21/797
- 5,991,944 A * 11/1999 Yang A47D 7/04
5/99.1

1 Claim, 7 Drawing Sheets



(56)

References Cited

U.S. PATENT DOCUMENTS

6,874,177 B2 * 4/2005 Hsia A47D 7/03
5/93.1
8,919,284 B2 * 12/2014 Wolfe, Jr. A01K 15/02
119/28.5
D736,479 S * 8/2015 Robinson D30/118
D809,216 S * 1/2018 French D30/118
D866,995 S * 11/2019 Perrin D6/331
2006/0174406 A1 * 8/2006 Yang A47D 13/063
5/99.1
2006/0225208 A1 * 10/2006 Chen A47D 13/063
5/99.1

* cited by examiner

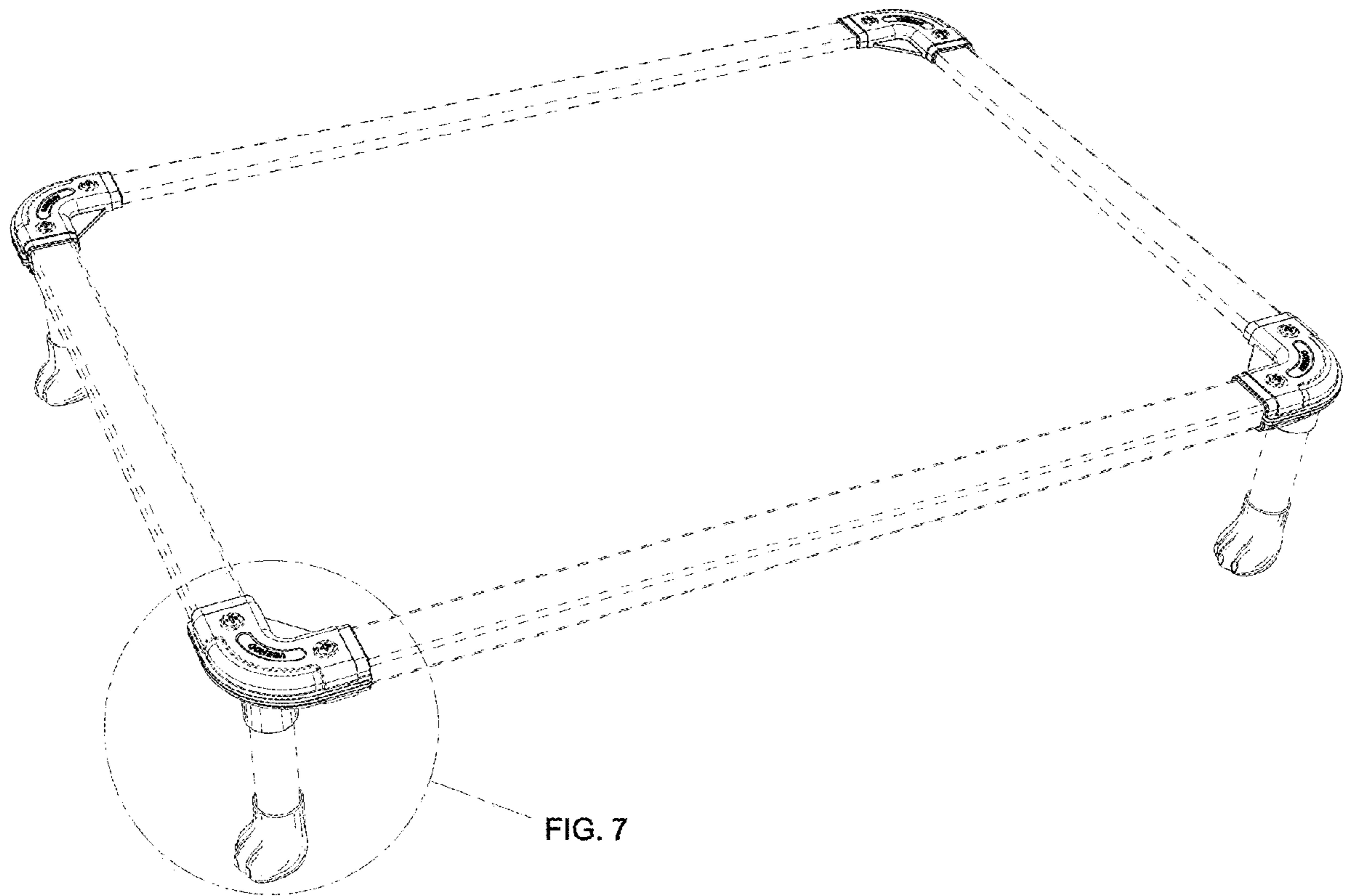


FIG. 7

FIG. 1



FIG. 2



FIG. 3

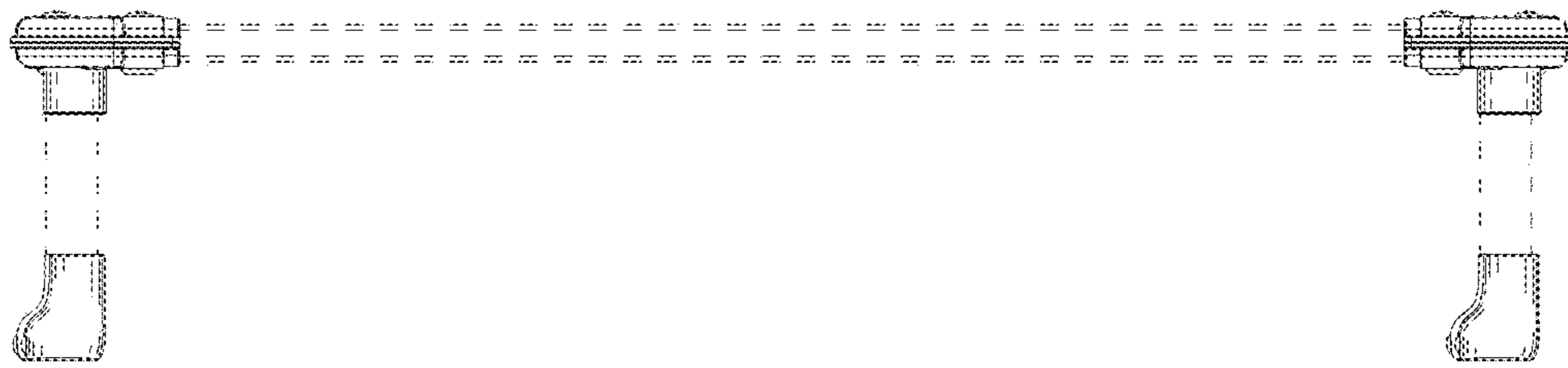


FIG. 4

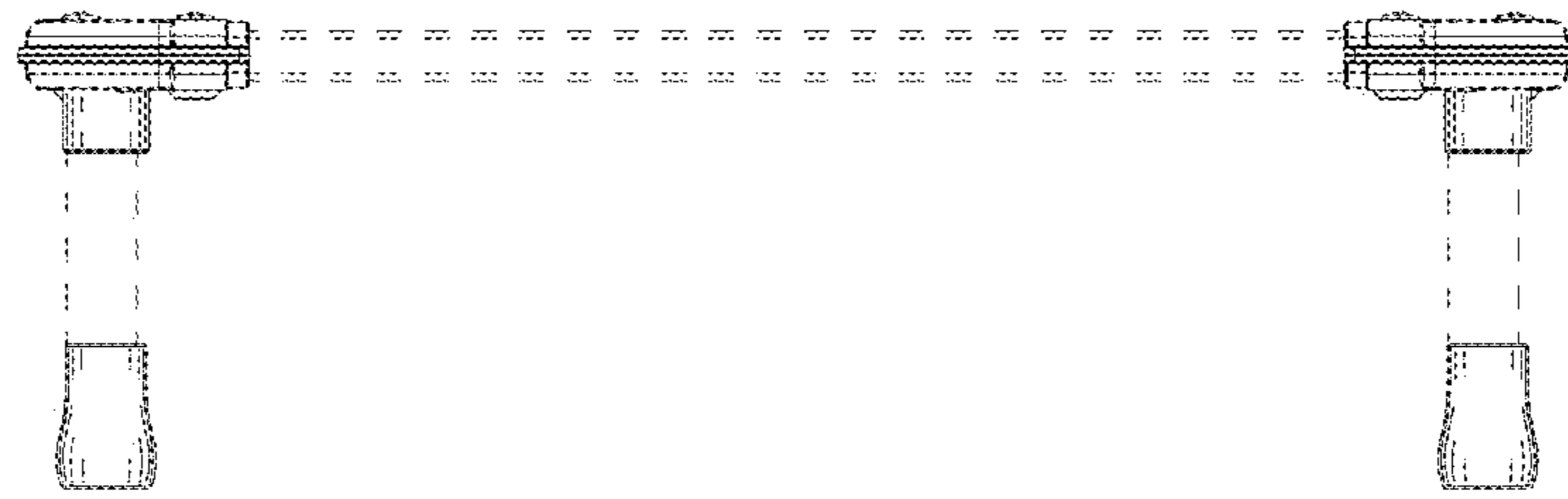


FIG. 5

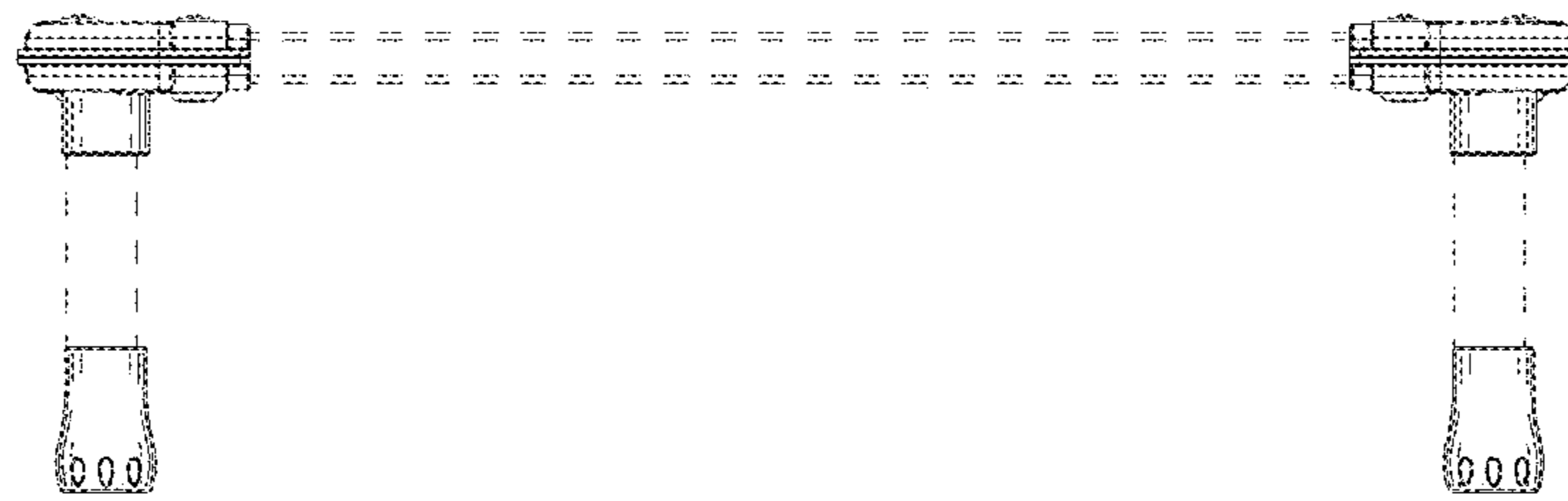


FIG. 6

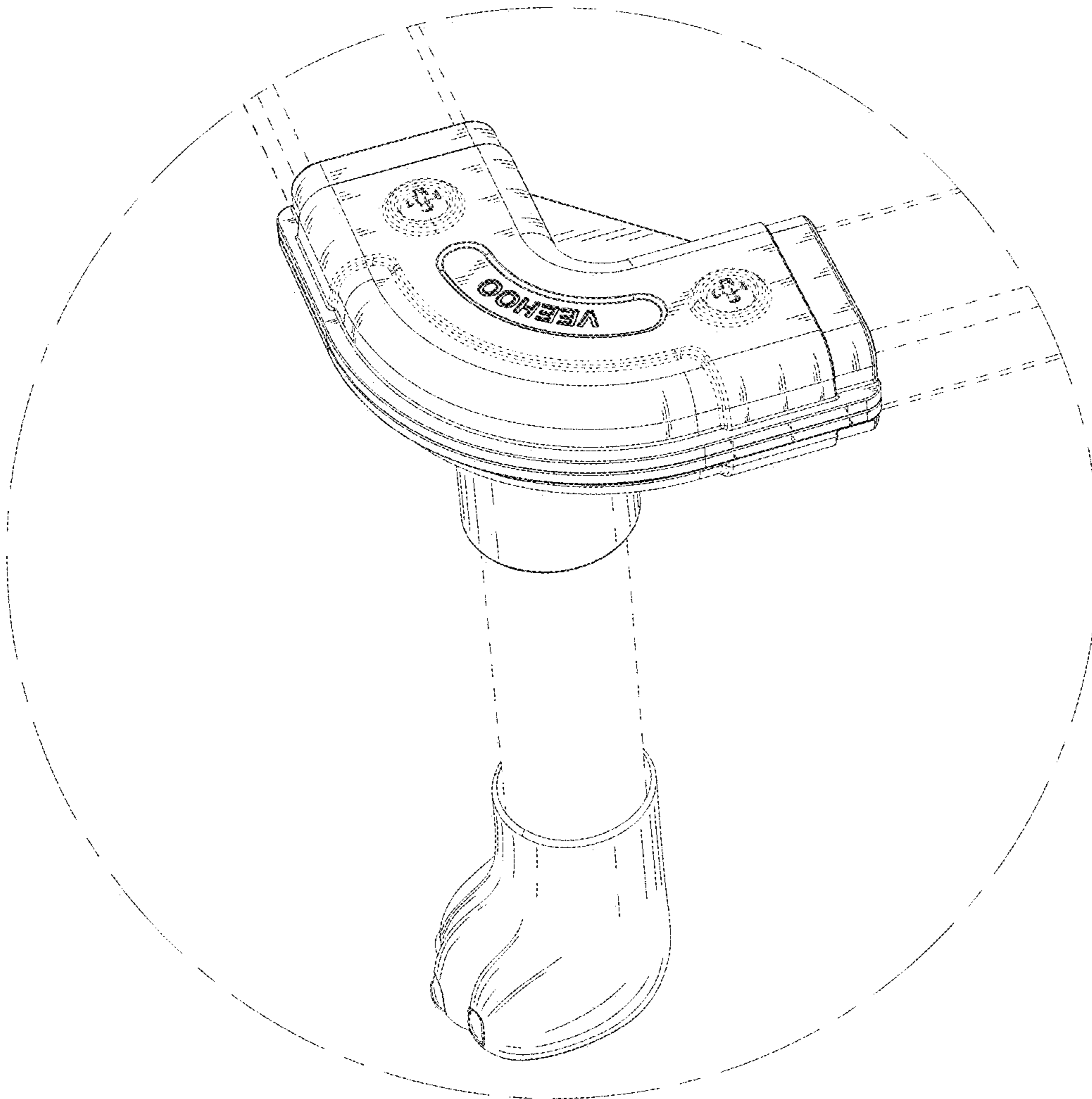


FIG. 7