



US00D962554S

(12) **United States Design Patent**
Goltz

(10) **Patent No.:** **US D962,554 S**

(45) **Date of Patent:** **** Aug. 30, 2022**

(54) **DEVICE FOR TEMPORARILY HOLDING A LIVE PIG**

(71) Applicant: **Johnathon Goltz**, Gatesville, TX (US)

(72) Inventor: **Johnathon Goltz**, Gatesville, TX (US)

(**) Term: **15 Years**

(21) Appl. No.: **29/707,053**

(22) Filed: **Sep. 25, 2019**

(51) **LOC (13) Cl.** **30-03**

(52) **U.S. Cl.**
USPC **D30/113**

(58) **Field of Classification Search**

USPC D30/108-118, 124, 125, 126, 127, 128,
D30/199; D25/15, 7, 21, 22, 45, 63;
D6/332; D23/406; 119/52.1, 52.2, 52.3,
119/52.4, 57.8, 57.9, 69.5, 421, 428, 429,
119/453, 459-464, 468, 469, 474, 475,
119/479, 482, 497, 498, 499, 501;
206/501; 292/80, 26; 446/126
CPC A01K 1/02; A01K 1/00; A01K 1/0035;
A01K 29/00; A01K 1/0029; A01K
1/0218; A01K 3/00; A01K 1/0272; A01K
1/0353; A01K 1/0017; A01K 1/0245;
A01K 1/0151; A01K 1/034; A01K 31/06;
A01K 31/08; A47D 7/00; A47C 21/02;
E06B 9/02; E06B 9/04; E06B 9/0607;
E06B 7/32

See application file for complete search history.

(56) **References Cited**

U.S. PATENT DOCUMENTS

1,791,676 A * 2/1931 Landine A47G 5/00
160/229.1
1,832,680 A * 11/1931 Youngblood F24B 1/192
126/544
1,860,566 A * 5/1932 Bertram A47G 5/04
160/381

2,239,562 A * 4/1941 Kennedy A47G 5/04
160/229.1
2,244,042 A * 6/1941 Barlow A47G 5/04
160/229.1
2,505,848 A * 5/1950 Barlow A47G 5/04
160/229.1
D239,545 S * 4/1976 Kitson D30/108
4,048,979 A * 9/1977 LaVasseur F24B 1/192
126/548
D249,713 S * 9/1978 Gilbertson D30/113
D255,723 S * 7/1980 Anderson D30/108
D256,284 S * 8/1980 Dill D30/113
D258,093 S * 1/1981 Pinkelman D30/113
D275,041 S * 8/1984 Langsford D30/113
D285,336 S * 8/1986 Demrick D23/406
D286,176 S * 10/1986 Catania D23/406
D287,167 S * 12/1986 Catania D23/406
D289,918 S * 5/1987 Catania D23/406

(Continued)

OTHER PUBLICATIONS

“Minuteman 3F Screen” posted Jan. 22, 2018 [Online],[retrieved Dec. 12, 2021]. Retrieved from internet: <https://amzn.to/31JgO8x>.*

Primary Examiner — Mehri F Bajoul

(74) *Attorney, Agent, or Firm* — Leavitt Eldredge Law Firm

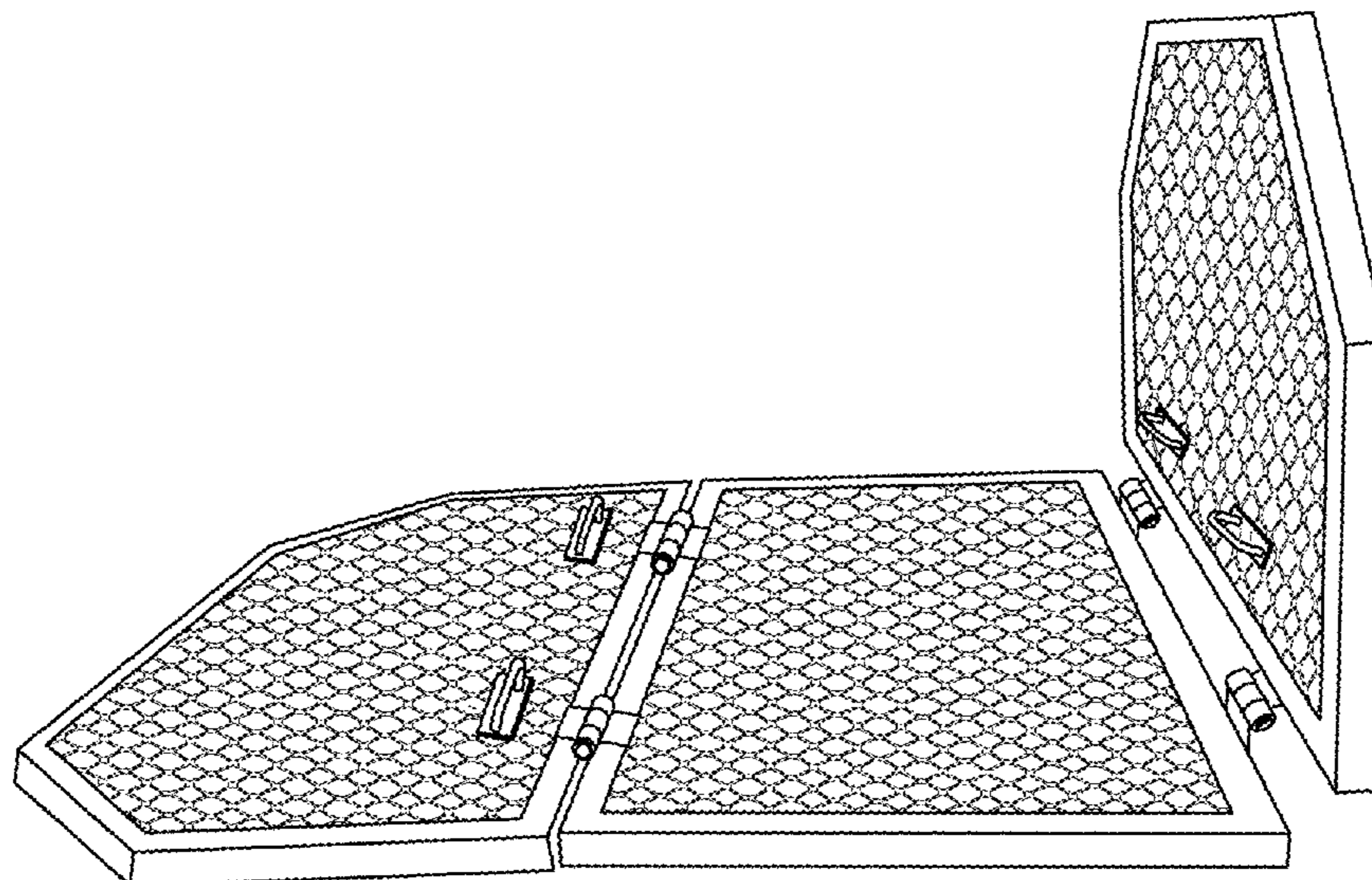
(57) **CLAIM**

The ornamental design for a device for temporarily holding a live pig, as shown and described.

DESCRIPTION

FIG. 1 is a front elevational view of a device for temporarily holding a live pig in a folded configuration;
FIG. 2 is a front elevational view thereof; showing only the right wing in a folded position;
FIG. 3 is a top plan view thereof, showing the design in an unfolded configuration; and,
FIG. 4 is a top plan view thereof, showing the only the left wing in a folded position.

1 Claim, 4 Drawing Sheets



(56)

References Cited

U.S. PATENT DOCUMENTS

5,163,417 A * 11/1992 Dalton F24B 1/192
126/544
D352,140 S * 11/1994 Easton D23/406
D379,209 S * 5/1997 Coddington, Jr. D21/419
D382,373 S * 8/1997 Louden D30/108
D396,333 S * 7/1998 Alford D25/48.5
D459,781 S * 7/2002 Rowley D22/121
D499,177 S * 11/2004 Kosmider D23/365
D549,401 S * 8/2007 Mercier D30/114
D579,609 S * 10/2008 Hirokawa D30/114
D614,815 S * 4/2010 Co D30/114
D634,485 S * 3/2011 Clemmons D30/116
D642,256 S * 7/2011 Byers D23/406
8,323,370 B2 * 12/2012 Troxell B01D 46/2411
55/498
8,528,257 B2 * 9/2013 Kobayashi A01K 1/035
49/463
D702,403 S * 4/2014 Snow D30/108
D773,014 S * 11/2016 Pale D23/209
D791,411 S * 7/2017 VanBuuren D30/113
D791,412 S * 7/2017 Barker D30/113
D810,856 S * 2/2018 Kelly D22/136
D837,463 S * 1/2019 Vanbuuren D30/113
D860,384 S * 9/2019 Yu D22/135
2008/0078377 A1 * 4/2008 Gardner F24B 1/192
126/548
2008/0110412 A1 * 5/2008 Shimoda A01K 1/034
119/473
2009/0084323 A1 * 4/2009 Tsubai A01K 31/17
119/336
2017/0055489 A1 * 3/2017 Bin A01K 1/033

* cited by examiner

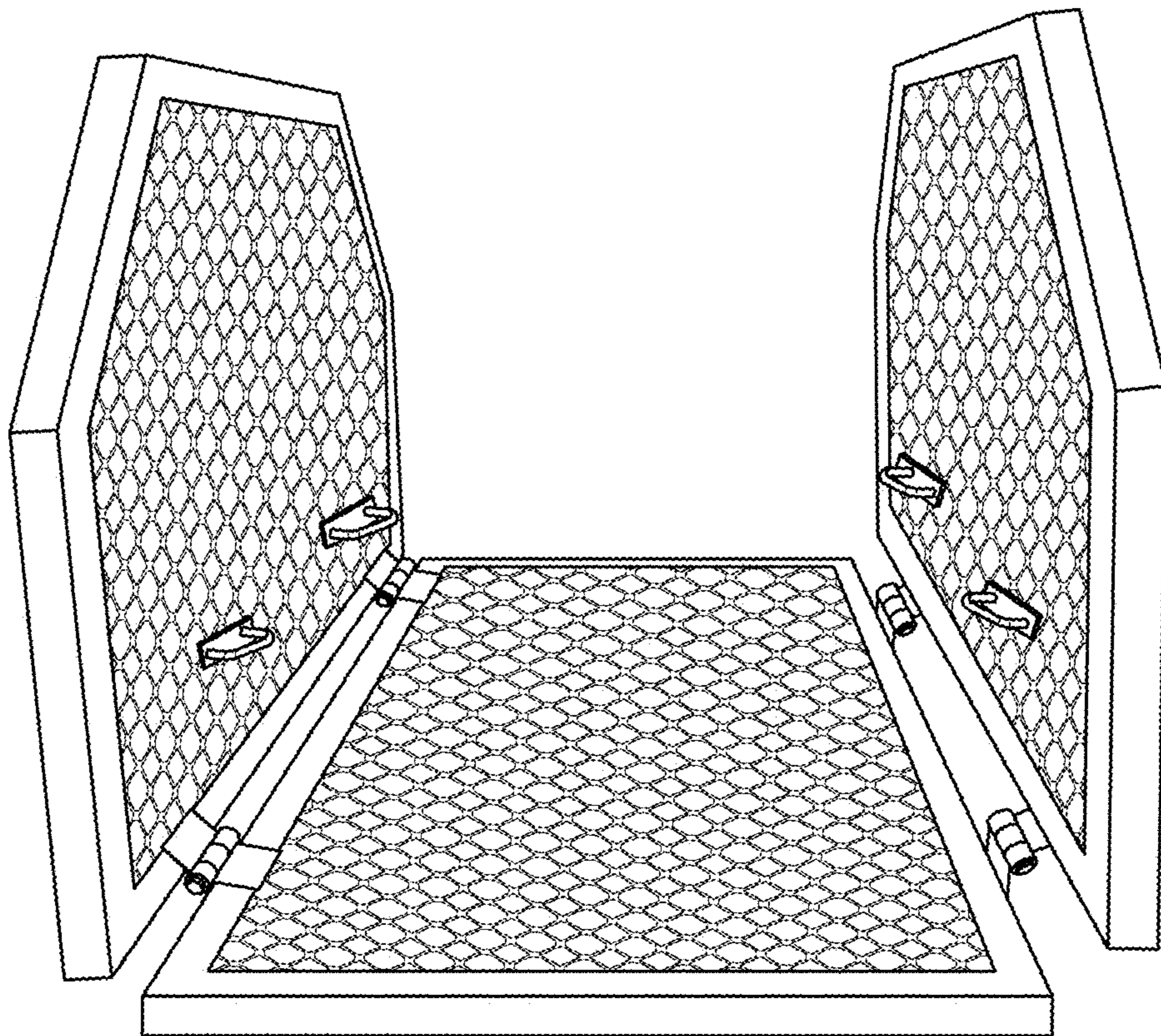


FIG. 1

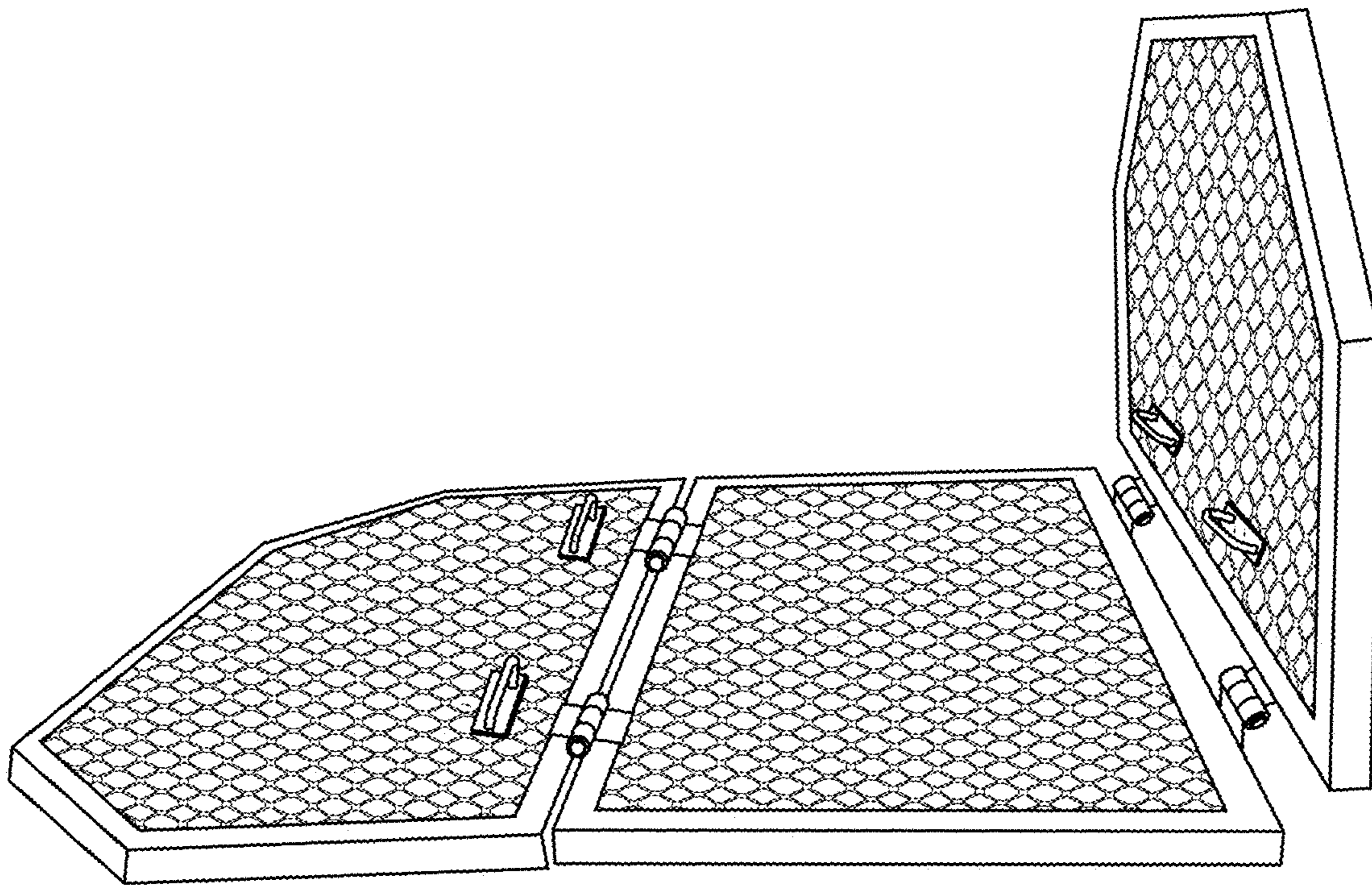


FIG. 2

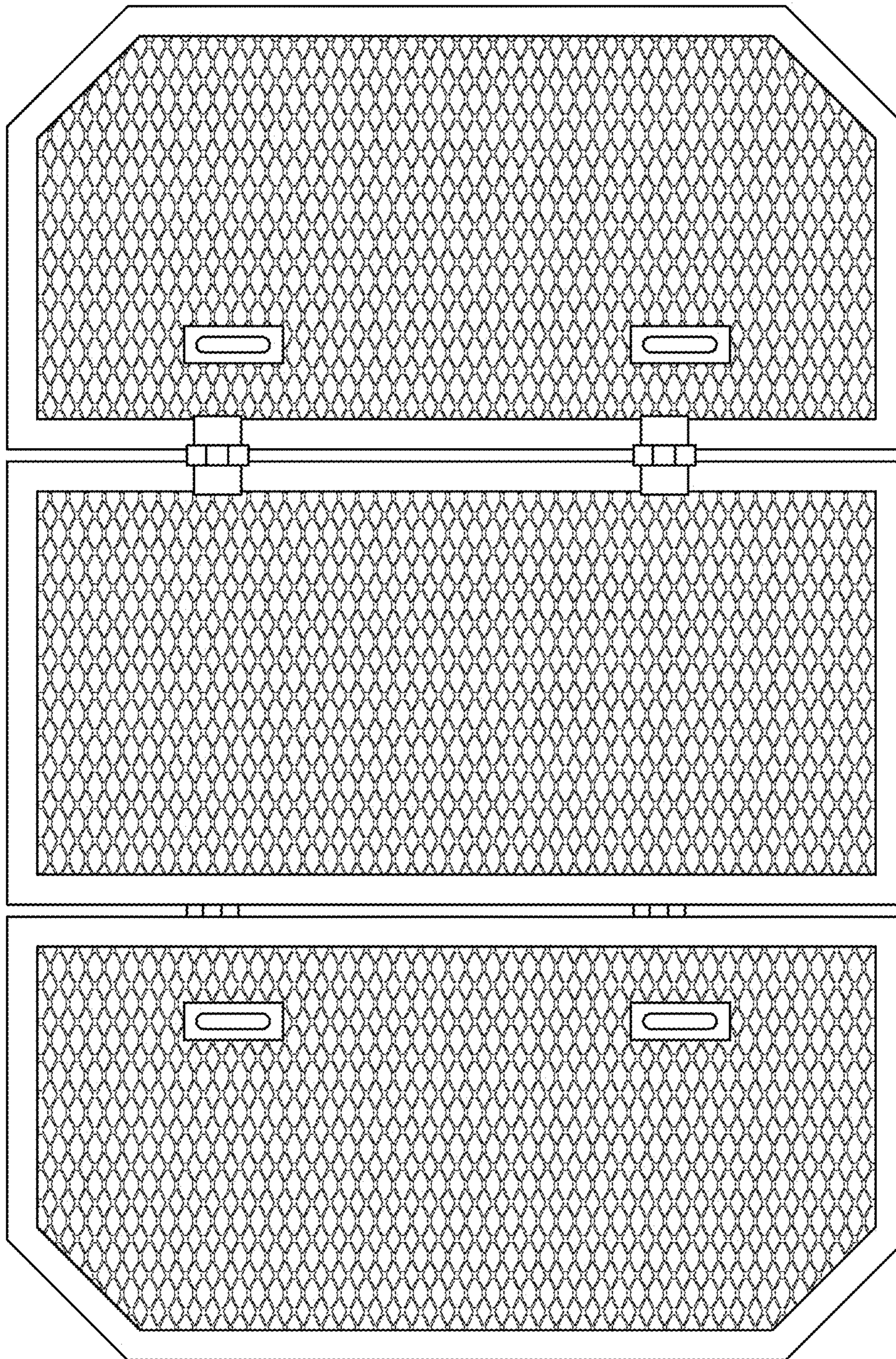


FIG. 3

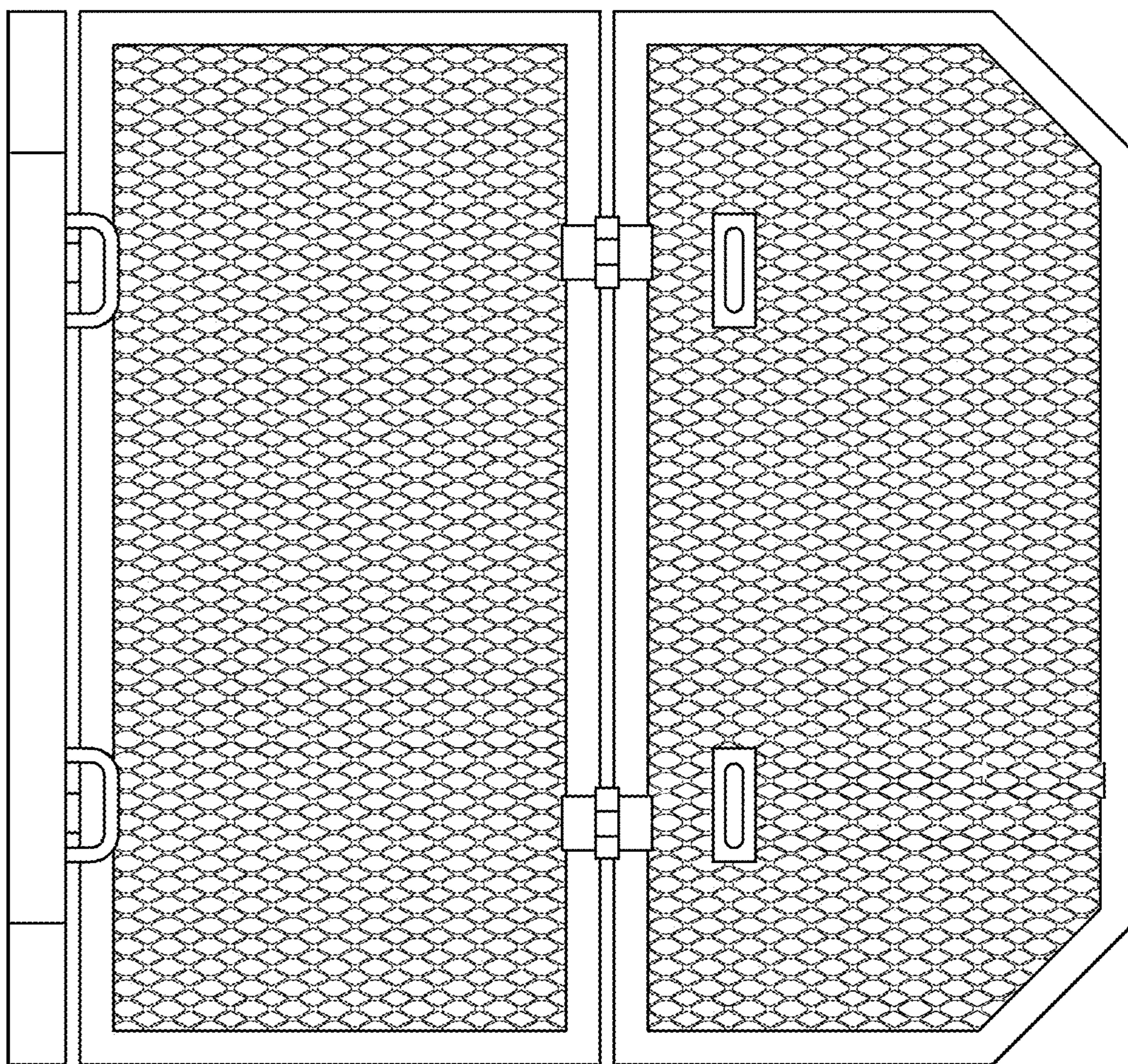


FIG. 4