



US00D962553S

(12) **United States Design Patent**  
**McElroy Logan**

(10) **Patent No.:** **US D962,553 S**  
(45) **Date of Patent:** **\*\* Aug. 30, 2022**

(54) **PET CARRIER**

FOREIGN PATENT DOCUMENTS

(71) Applicant: **Donita McElroy Logan**, Atlanta, GA  
(US)

EM 001417091-0002 \* 12/2014  
KR 300904848 \* 4/2017

(72) Inventor: **Donita McElroy Logan**, Atlanta, GA  
(US)

OTHER PUBLICATIONS

(\*\*) Term: **15 Years**

Callisto Cat Travel Bag, available in nootspets.com, customer review oldest date Aug. 18, 2020 [online], [site visited Feb. 11, 2022], Available from the internet URL: <https://nootspets.com/products/callisto-cat-travel-bag> (Year: 2020).\*

(21) Appl. No.: **29/759,572**

\* cited by examiner

(22) Filed: **Nov. 24, 2020**

(51) **LOC (13) Cl.** ..... **30-02**

*Primary Examiner* — Jennifer L Rempfer

(52) **U.S. Cl.**

*Assistant Examiner* — Elizabeth Anne Glassberg

USPC ..... **D30/109**; D3/232

(74) *Attorney, Agent, or Firm* — Barnes & Thornburg

(58) **Field of Classification Search**

LLP; Jason A. Bernstein

USPC ..... D3/232; D30/108, 109, 110, 111, 112,  
D30/113, 114, 115, 116, 117, 118, 119,  
D30/120, 160, 161

CPC .. A01K 1/0107; A01K 1/0236; A01K 1/0272;  
A01K 1/029; A01K 1/033; A01K 1/034;  
A01K 1/035; A01K 1/0035; A45C 7/0086

(57) **CLAIM**

See application file for complete search history.

The design for a pet carrier, as shown and described.

**DESCRIPTION**

(56) **References Cited**

FIG. 1 is a front perspective view of a pet carrier showing my new design;

U.S. PATENT DOCUMENTS

3,156,213 A \* 11/1964 Patten ..... A01K 1/0254  
119/497

FIG. 2 is a top perspective view thereof;

D423,147 S \* 4/2000 Farrugia ..... D30/109

FIG. 3 is a front elevational view thereof;

6,286,461 B1 \* 9/2001 Martz ..... A01K 1/0254  
119/497

FIG. 4 is a rear elevational view thereof;

7,617,917 B2 \* 11/2009 Hai ..... A01K 1/0254  
190/106

FIG. 5 is a top view thereof;

D630,433 S \* 1/2011 Targett ..... D3/232

FIG. 6 is a bottom view thereof;

D717,502 S \* 11/2014 Dixon ..... D30/109

FIG. 7 is a left side elevational view thereof; and,

D722,728 S \* 2/2015 Renforth ..... D30/109

FIG. 8 is a right side elevational view thereof.

D759,319 S \* 6/2016 Chang ..... D30/109

The broken lines along the body of the pet carrier shown in FIGS. 1-8 are included to show fold lines on the pet carrier that form no part of the claim. The broken lines of the zipper pull in the figures illustrate portions of the pet carrier that form no part of the claimed design.

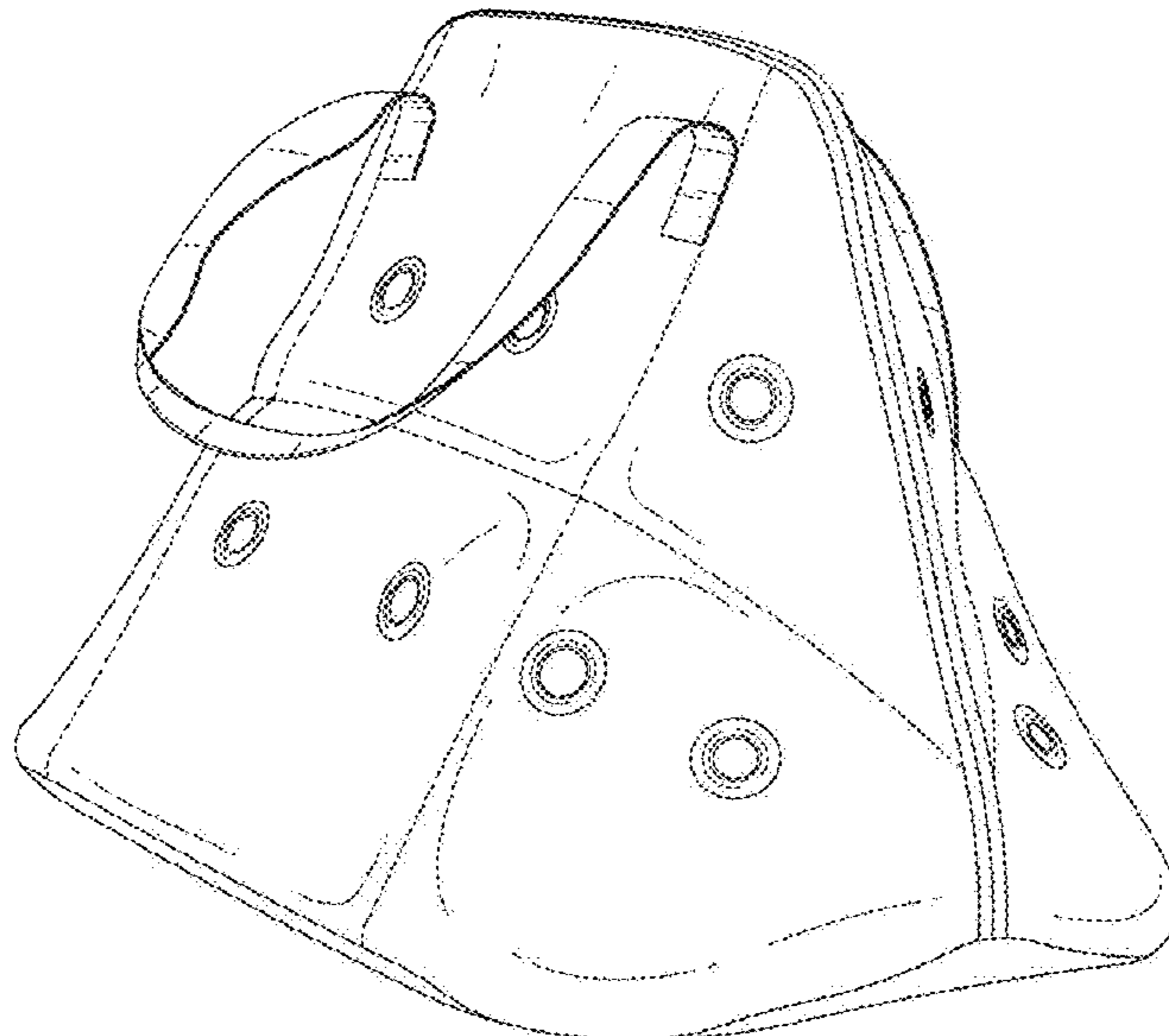
D813,531 S \* 3/2018 Santo Domingo ..... D3/246

D819,329 S \* 6/2018 Gerbi ..... D3/232

D903,205 S \* 11/2020 Ma ..... D30/109

2018/0359990 A1 \* 12/2018 Graham ..... A01K 1/0254

**1 Claim, 8 Drawing Sheets**



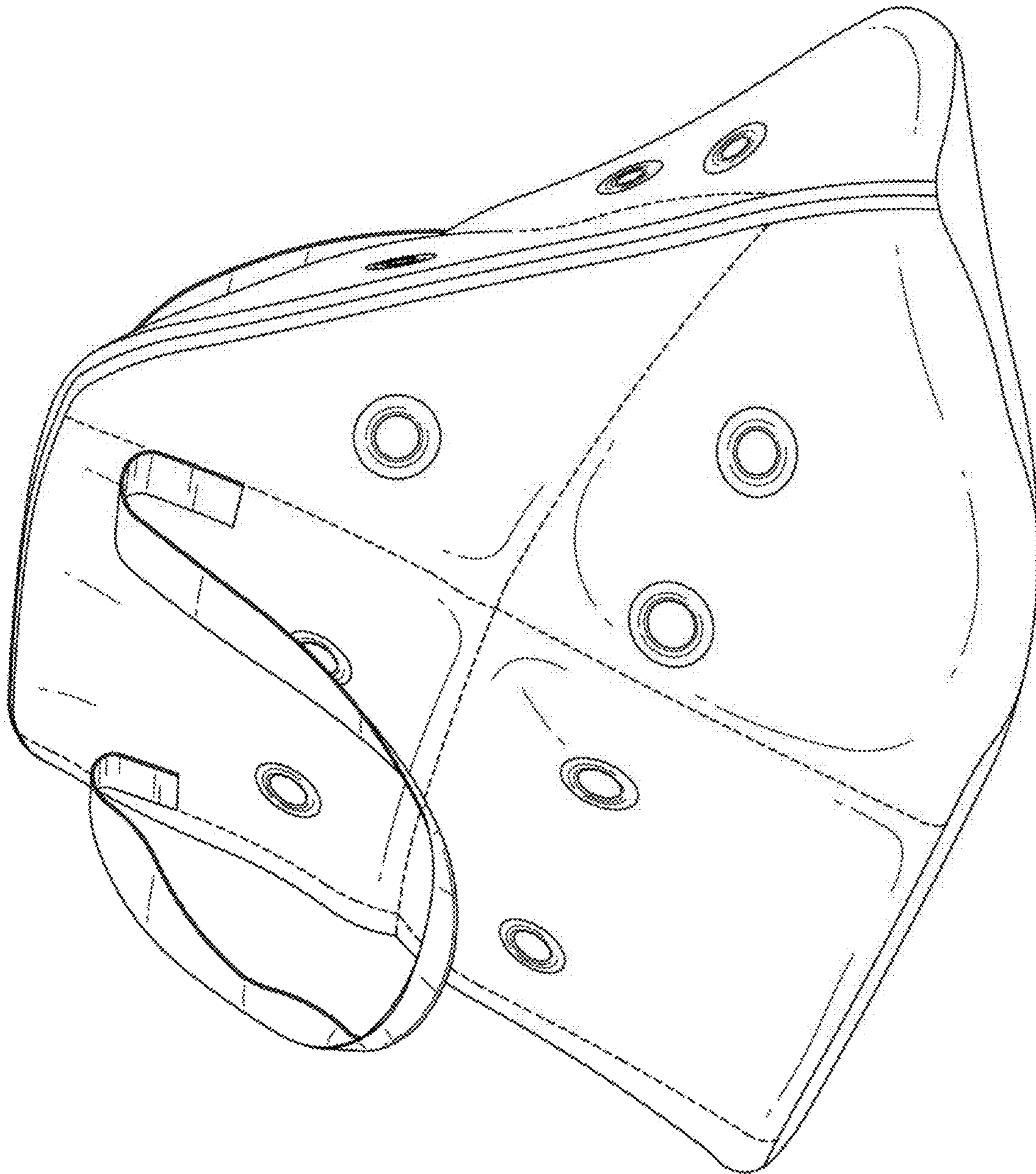


FIG. 1

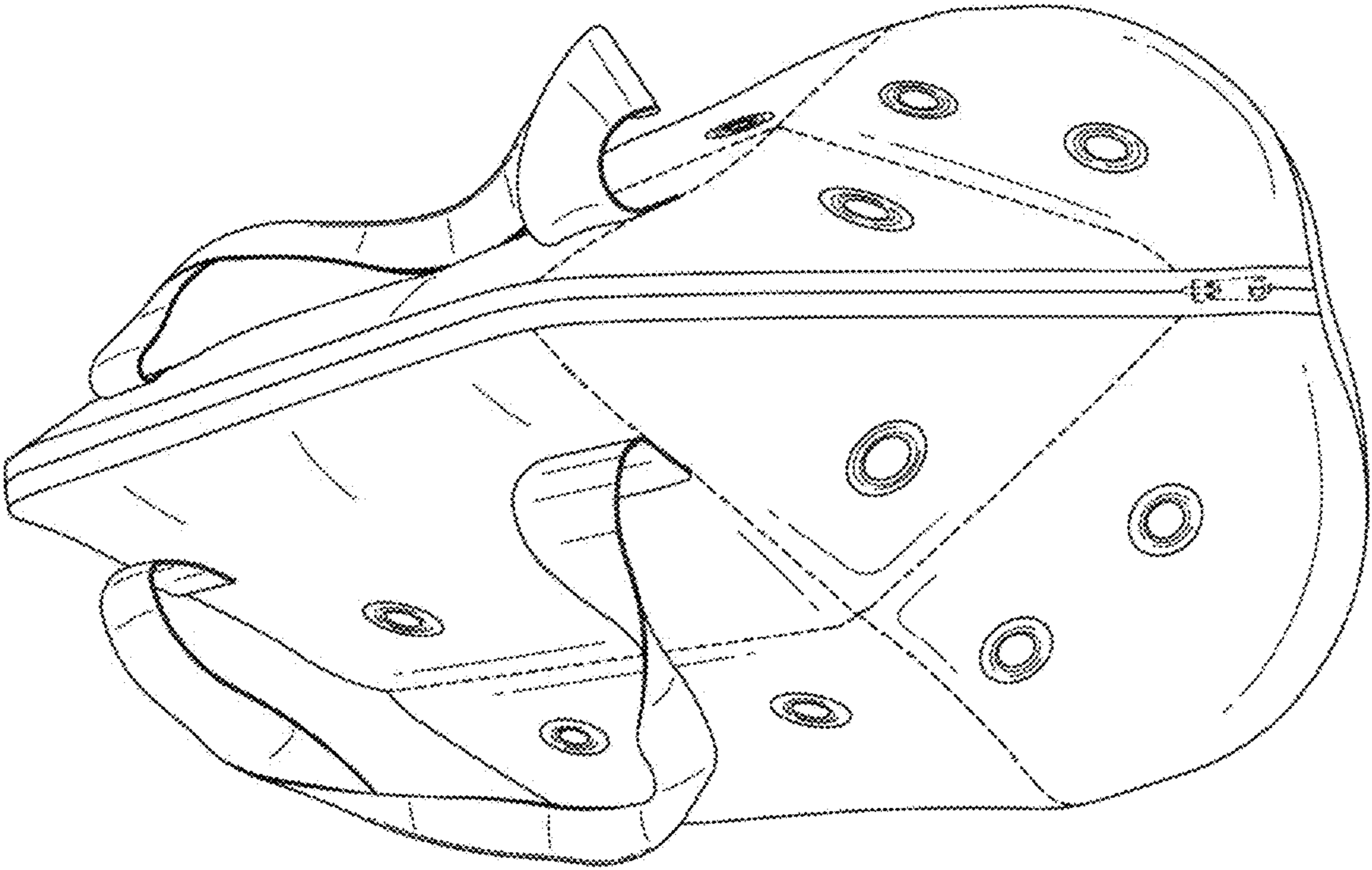


FIG. 2

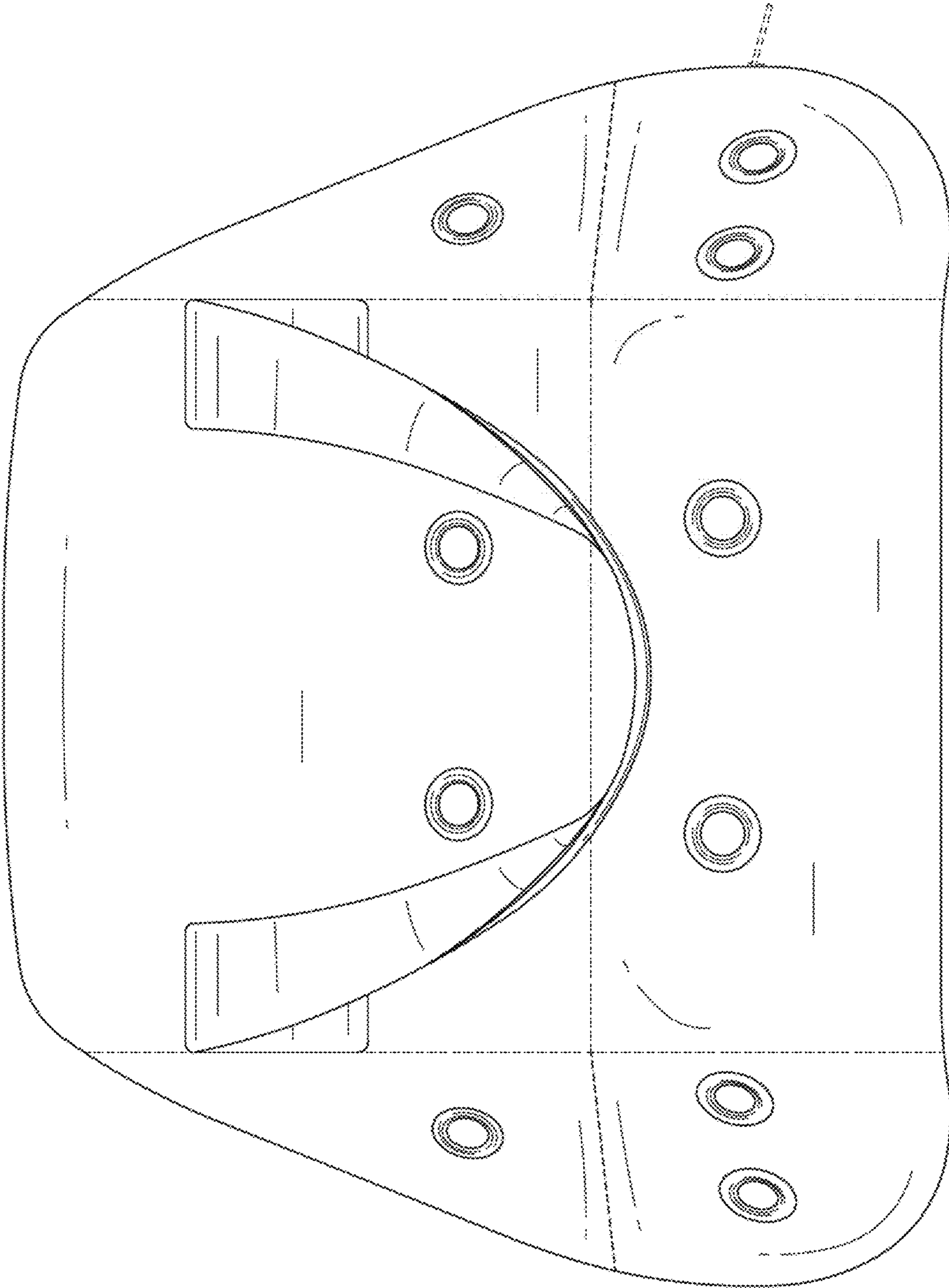


FIG. 3

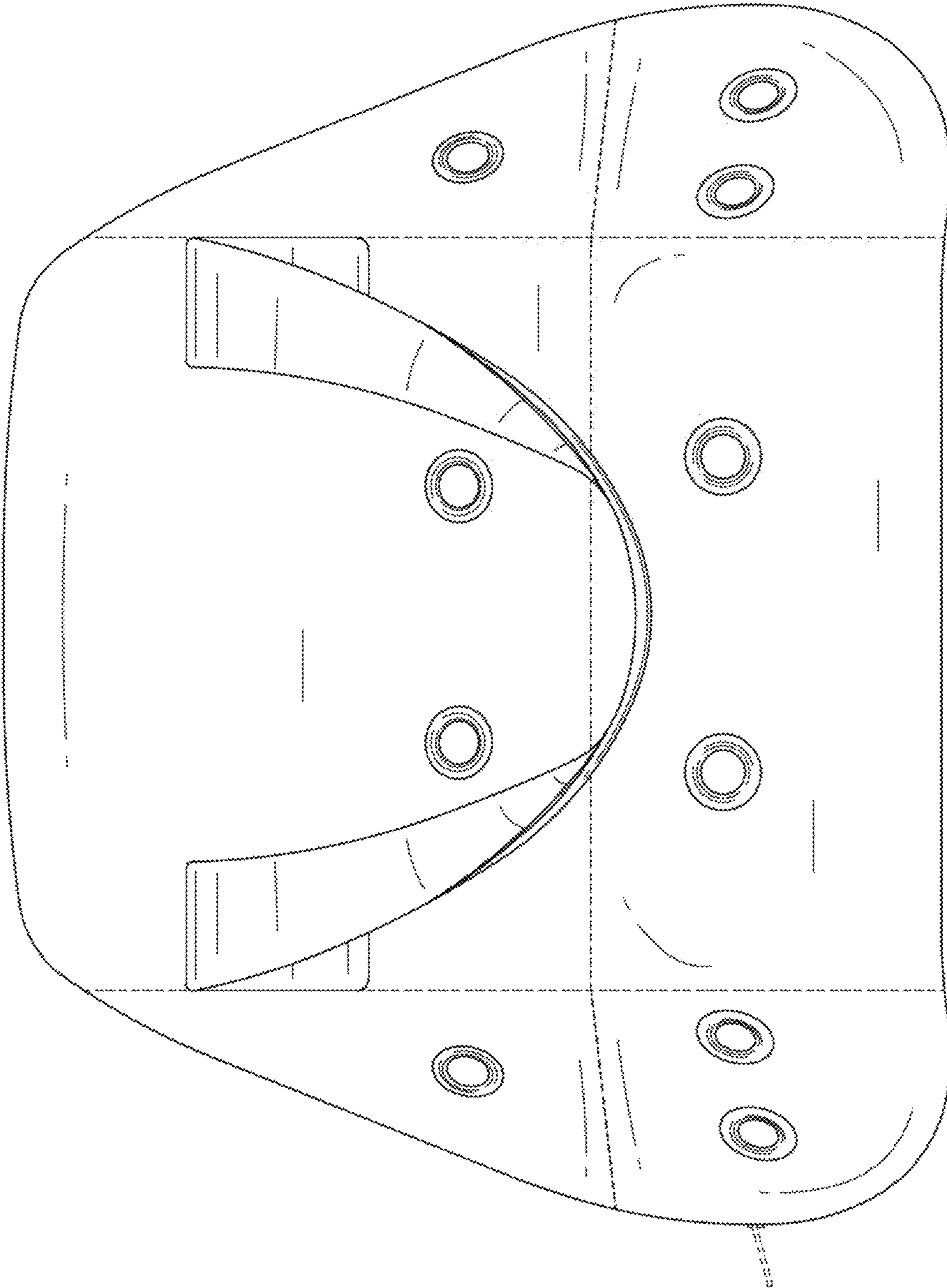


FIG. 4

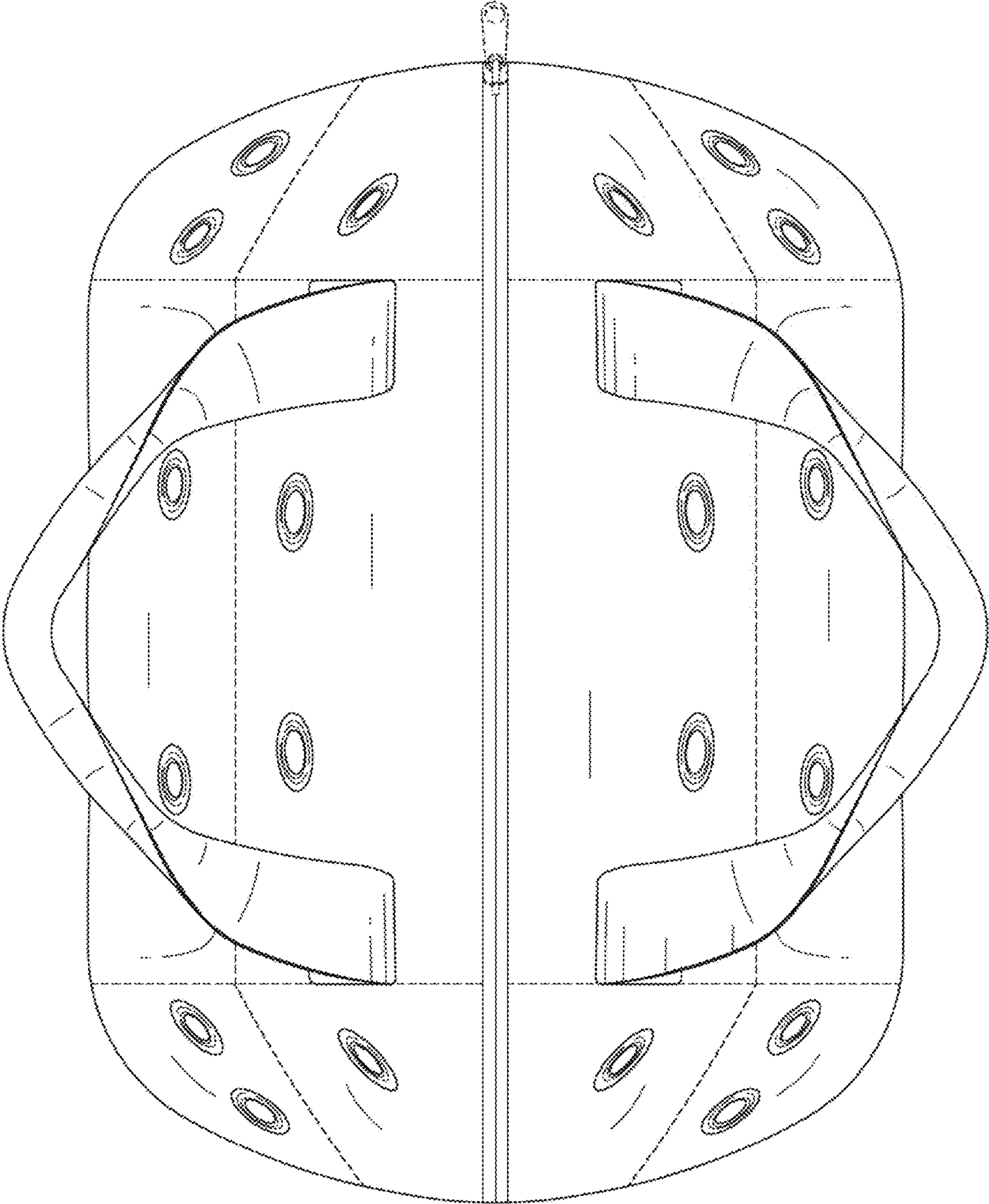


FIG. 5

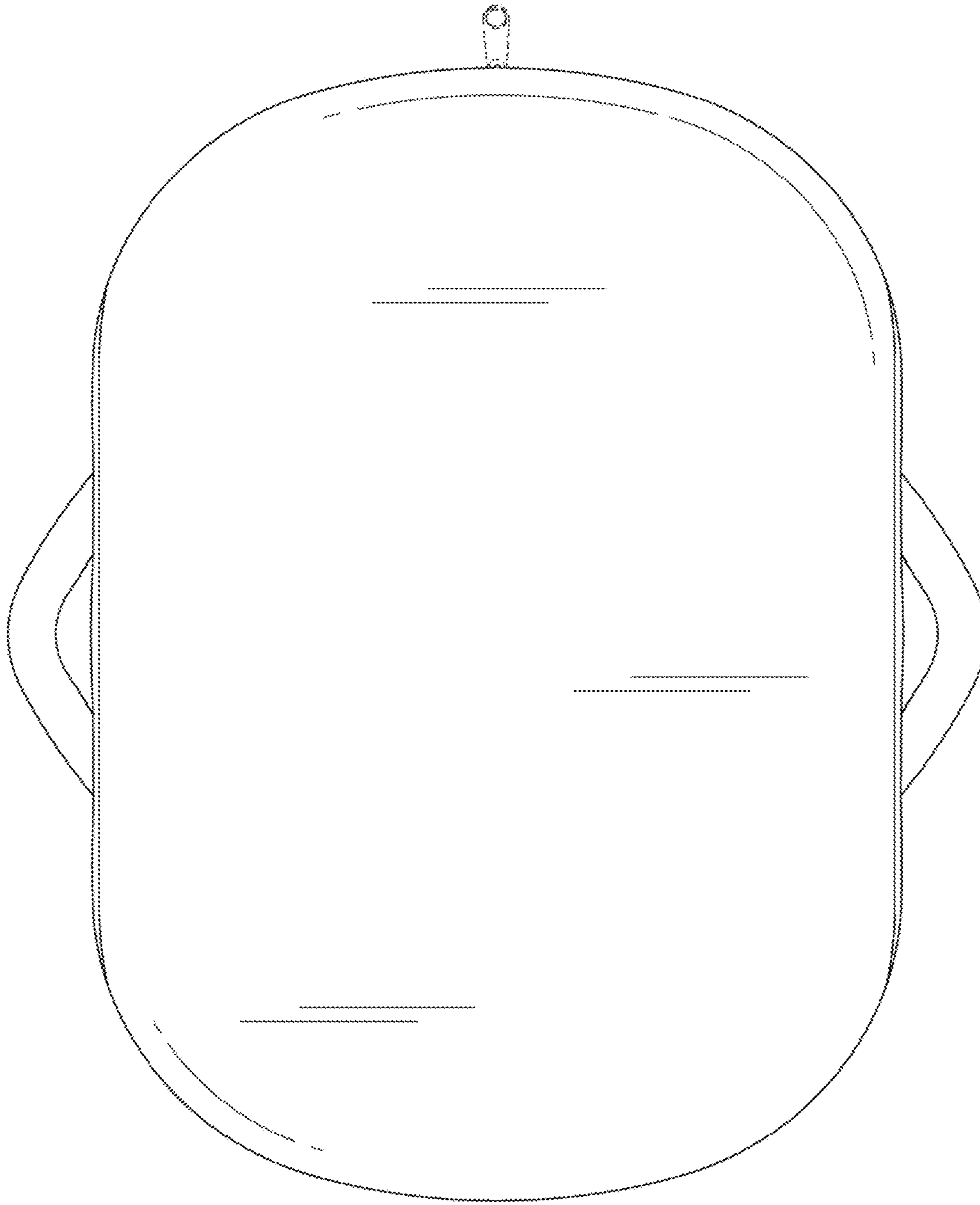


FIG. 6

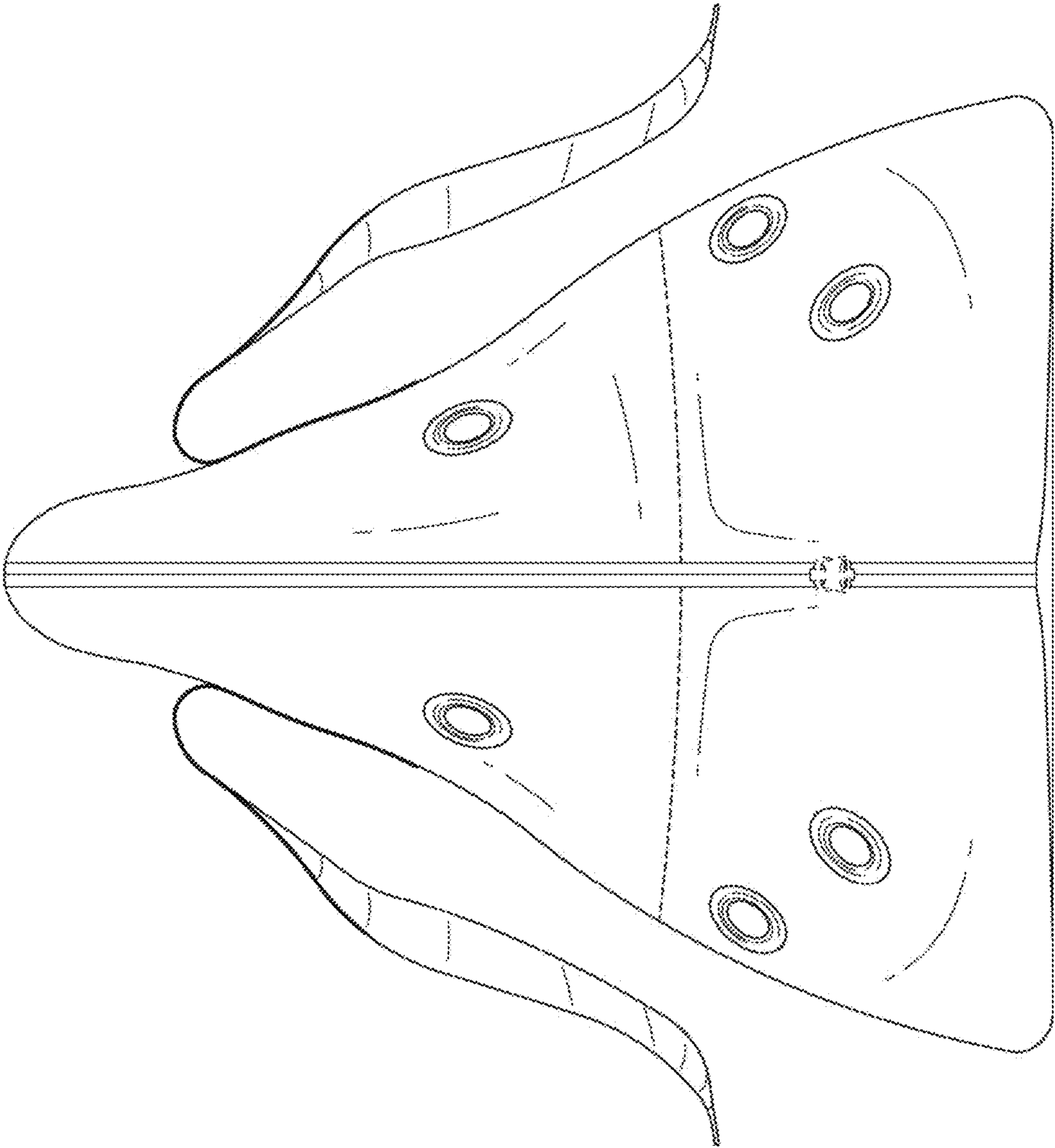


FIG. 7



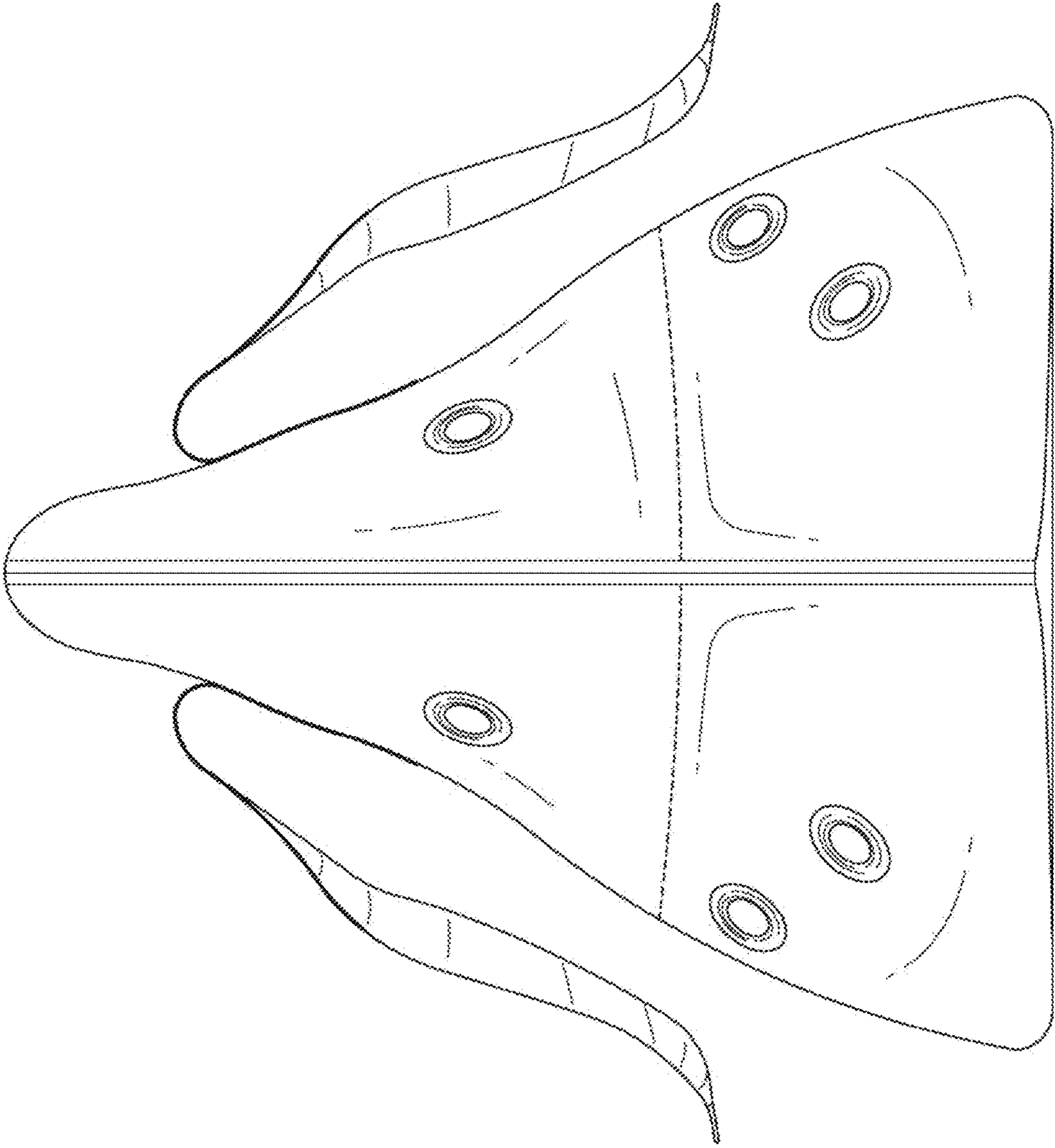


FIG. 8