



US00D962546S

(12) **United States Design Patent** (10) **Patent No.:** **US D962,546 S**
Fang (45) **Date of Patent:** **** Aug. 30, 2022**

(54) **COSMETIC CASE**

D865,297 S 10/2019 De Martino
D887,085 S * 6/2020 Lin D28/83

(71) Applicant: **Shenzhen Yilufa Technology Co., Ltd.**,
Shenzhen (CN)

* cited by examiner

(72) Inventor: **Weichao Fang**, Puning (CN)

Primary Examiner — Charles D Hanson

(**) Term: **15 Years**

(57) **CLAIM**

The ornamental design for a cosmetic case, as shown and described.

(21) Appl. No.: **29/795,457**

DESCRIPTION

(22) Filed: **Jun. 18, 2021**

(51) **LOC (13) Cl.** **28-03**

(52) **U.S. Cl.**

USPC **D28/83**; D3/901

(58) **Field of Classification Search**

USPC D3/295, 901; D28/78, 81, 83

CPC A45D 33/006; A45D 33/008; A45D 40/24

See application file for complete search history.

(56) **References Cited**

U.S. PATENT DOCUMENTS

| | | | | | |
|------------|---|---------|------------------|-------|----------|
| D281,730 S | * | 12/1985 | Phu | | D28/78 |
| D301,641 S | * | 6/1989 | Trabattoni | | D28/83 |
| D309,043 S | * | 7/1990 | Bakic | | D28/78 |
| D356,396 S | * | 3/1995 | Chen | | D28/79 |
| D368,430 S | * | 4/1996 | Herzog | | D9/651 |
| D401,061 S | * | 11/1998 | Au | | D3/271.3 |
| D412,398 S | * | 8/1999 | Watabe | | D9/423 |
| D564,707 S | * | 3/2008 | Barresi | | D28/83 |
| D565,410 S | * | 4/2008 | Canamasas Puigbo | | D9/454 |
| D708,789 S | * | 7/2014 | Schlatter | | D9/566 |
| D788,462 S | * | 6/2017 | Zhu | | D3/294 |
| D814,791 S | * | 4/2018 | Zhang | | D3/294 |
| D841,394 S | * | 2/2019 | Simmons | | D7/396.2 |

FIG. 1 is a front and top perspective view of a cosmetic case showing my new design;

FIG. 2 is a rear and bottom perspective view thereof;

FIG. 3 is a front elevation view thereof;

FIG. 4 is a rear elevation view thereof;

FIG. 5 is a left side elevation view thereof;

FIG. 6 is a right side elevation view thereof;

FIG. 7 is a top plan view thereof;

FIG. 8 is a bottom plan view thereof;

FIG. 9 is an enlarged view of a portion labeled, 'FIG. 9' in FIG. 1;

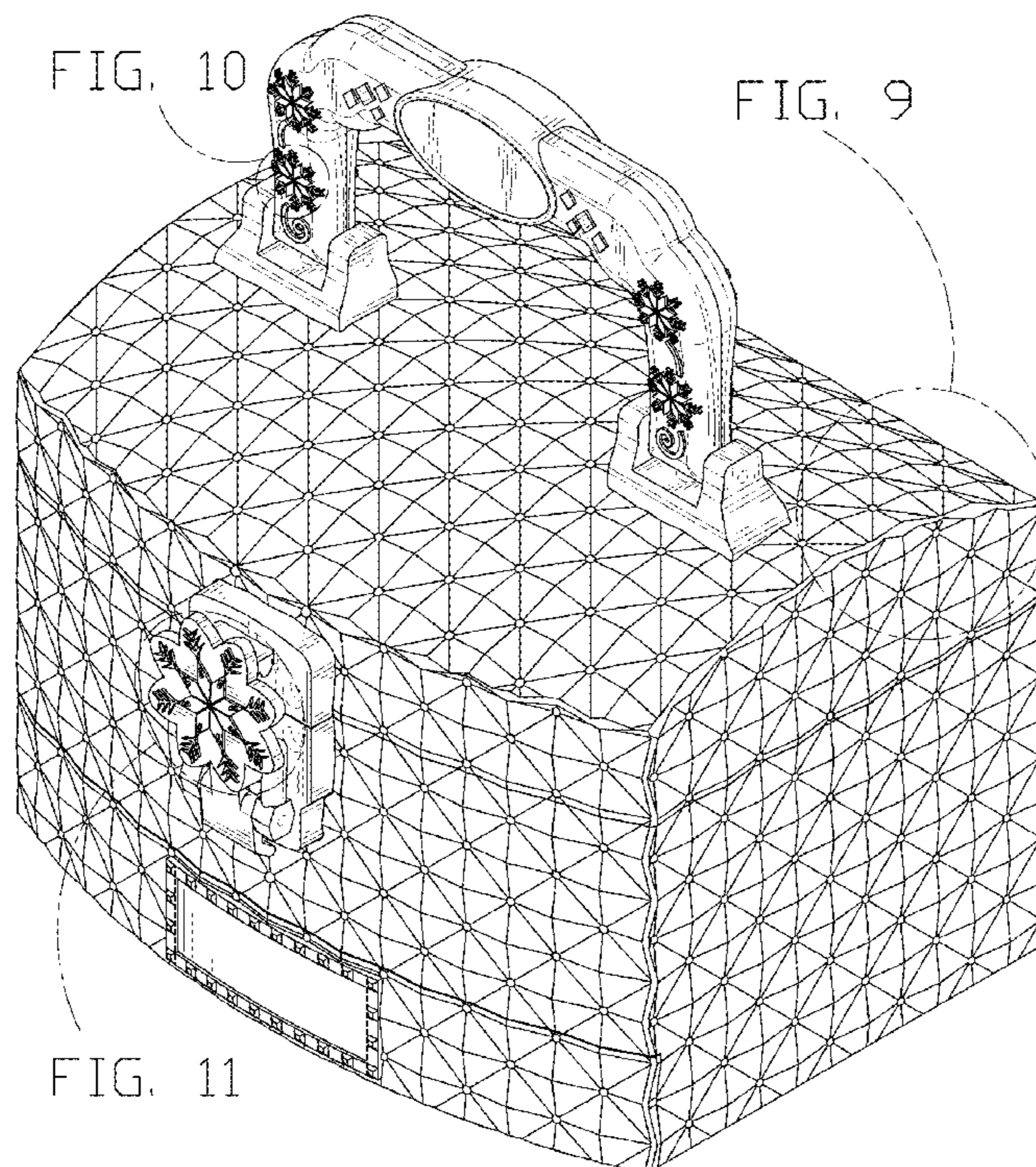
FIG. 10 is an enlarged view of a portion labeled, 'FIG. 10' in FIG. 1;

FIG. 11 is an enlarged view of a portion labeled, 'FIG. 11' in FIG. 1; and,

FIG. 12 is another perspective view thereof, shown in an alternative position.

The dash dot dash lines in FIGS. 1, 9, 10 and 11 are for the purpose of depicting the cut line of the enlarged view and form no part of the claim. The broken lines in the figures illustrate portions of the cosmetic case that form no part of the claimed design.

1 Claim, 12 Drawing Sheets



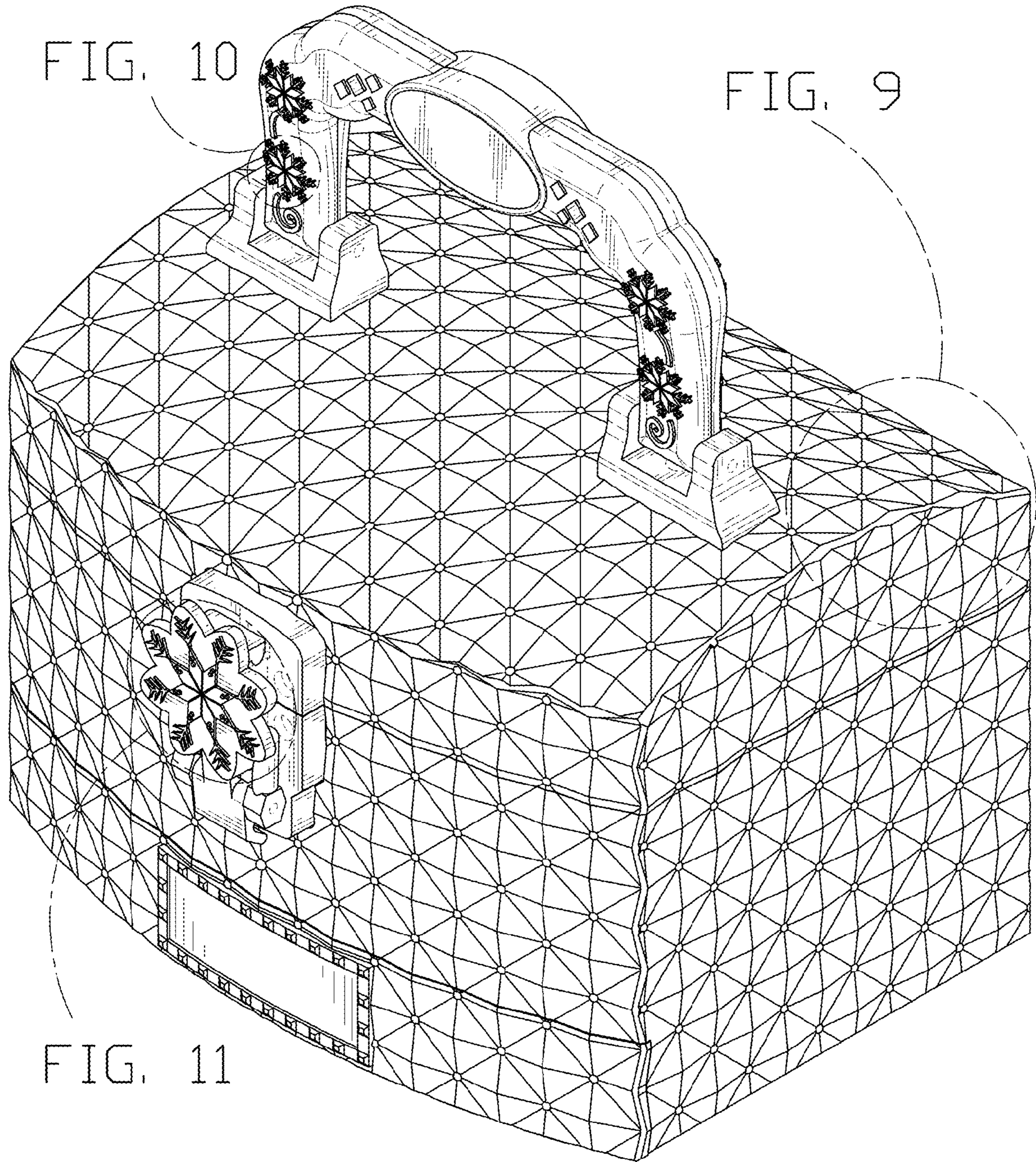


FIG. 10

FIG. 9

FIG. 11

FIG. 1

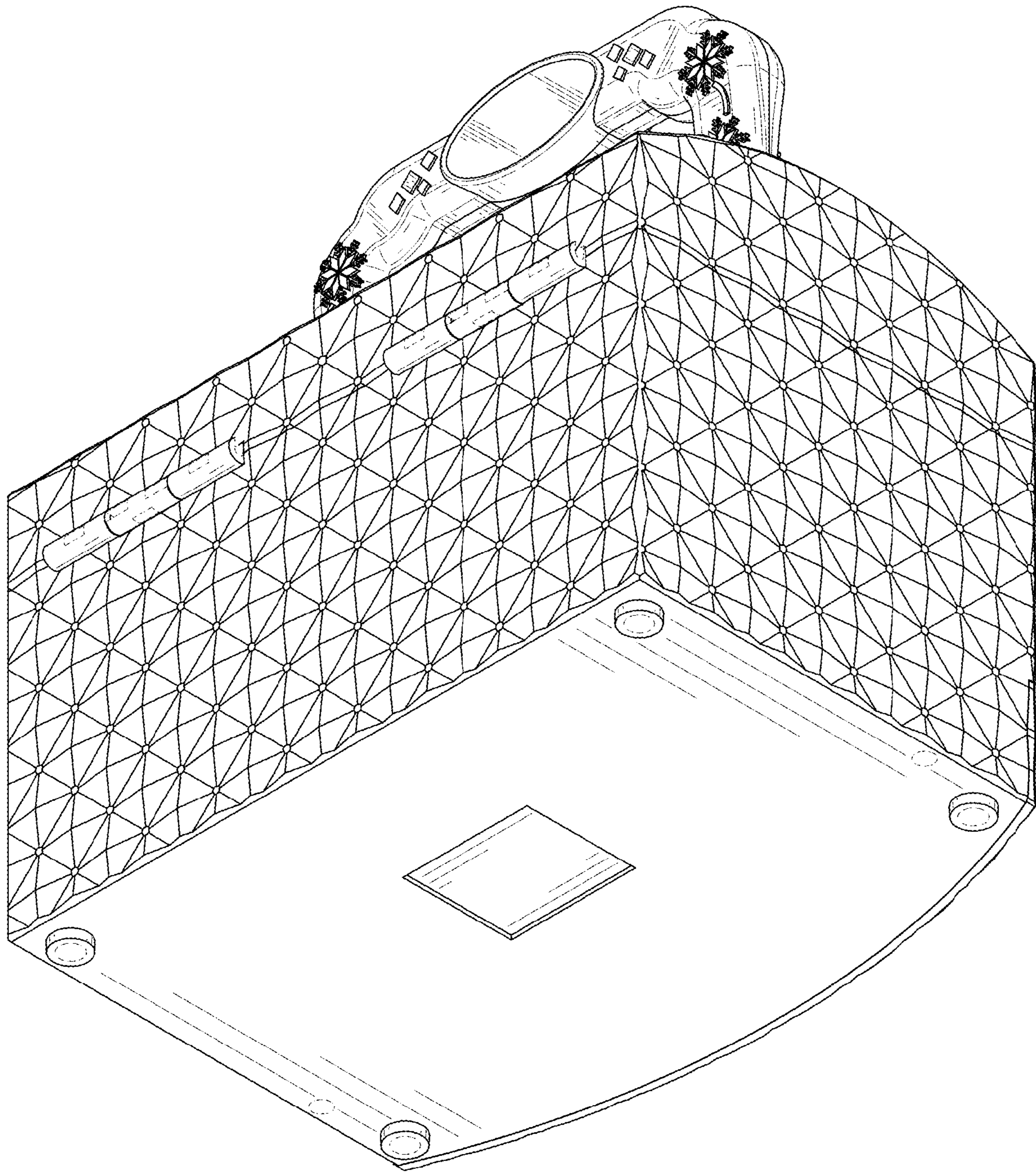


FIG. 2

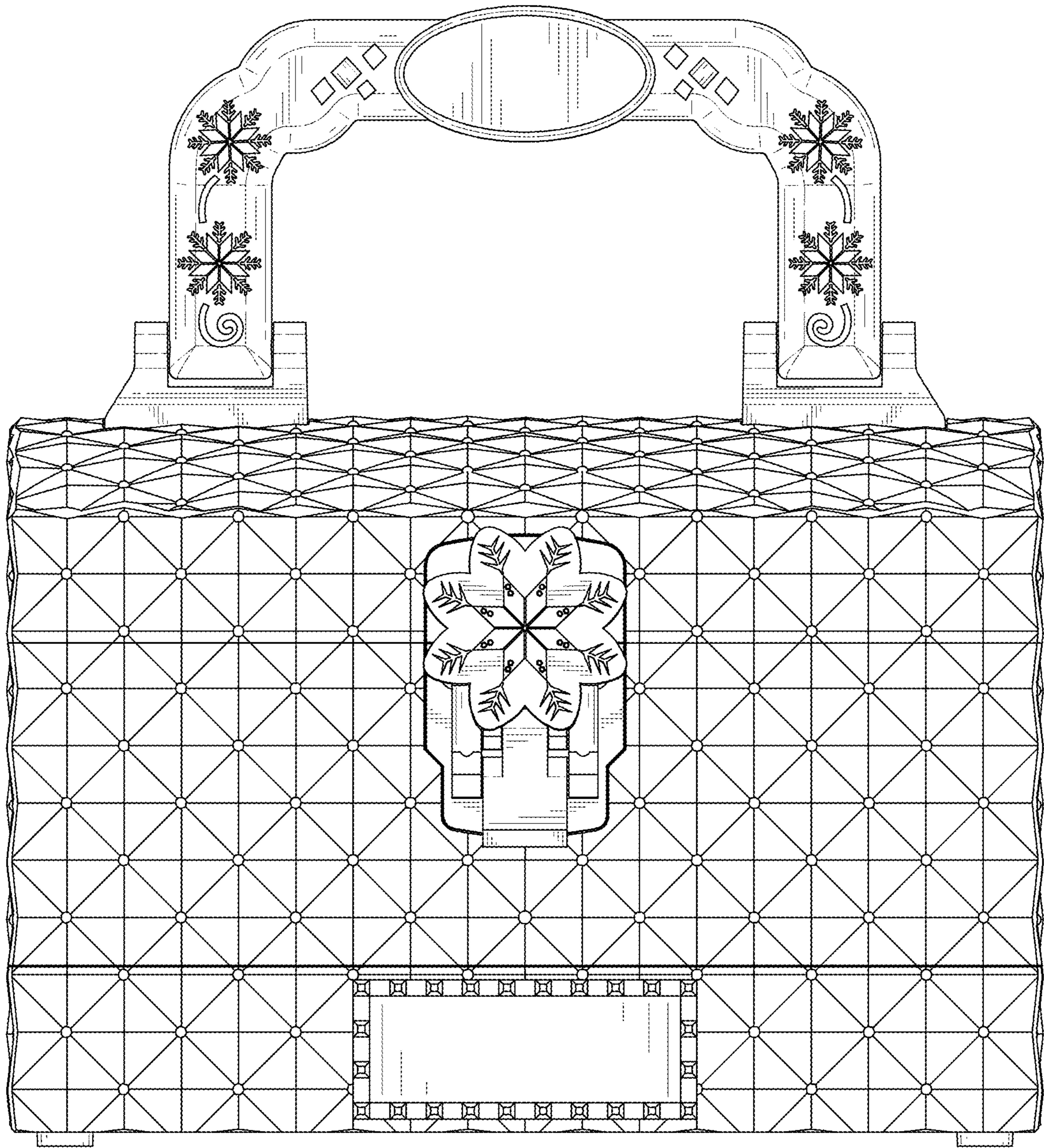


FIG. 3

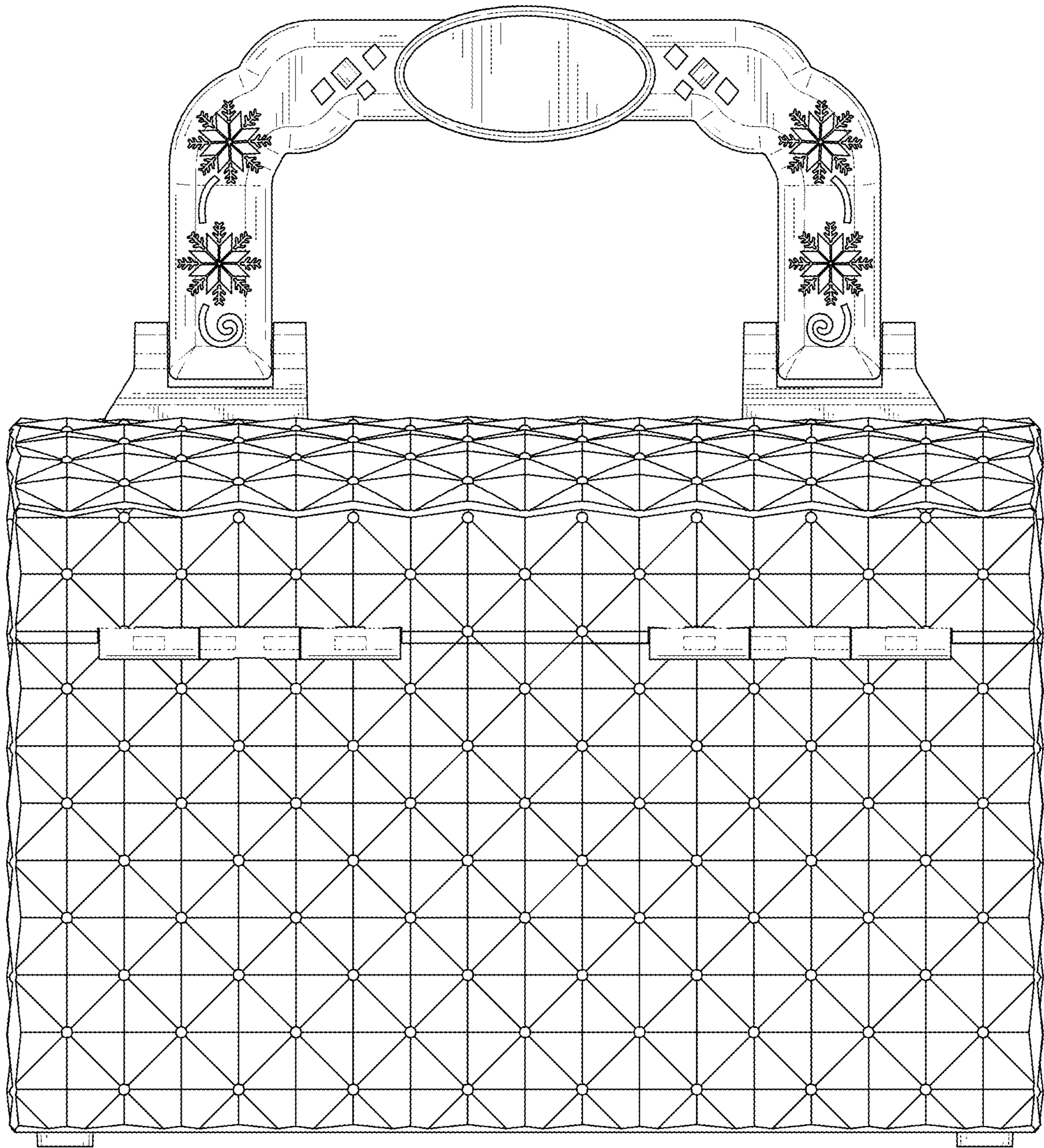


FIG. 4

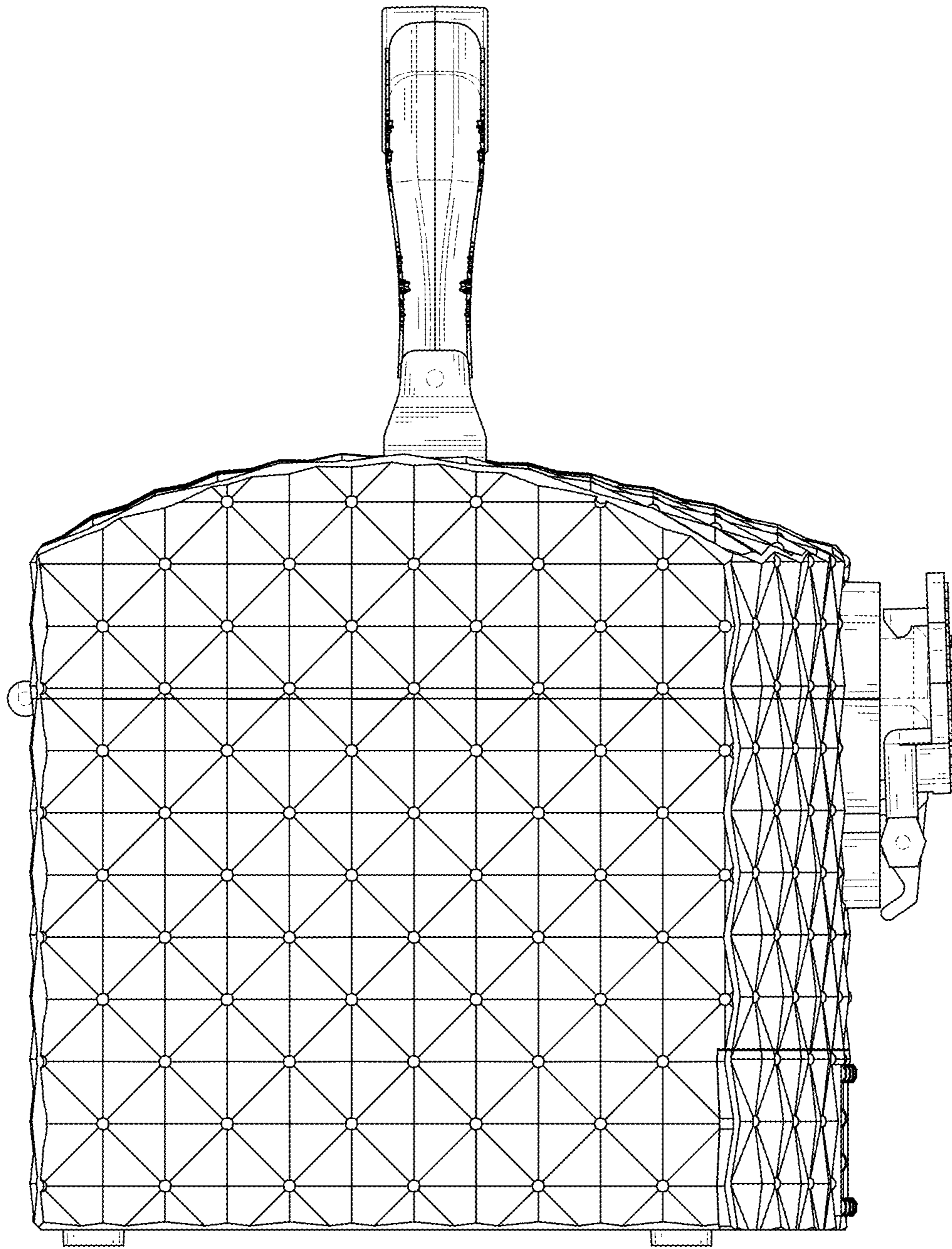


FIG. 5

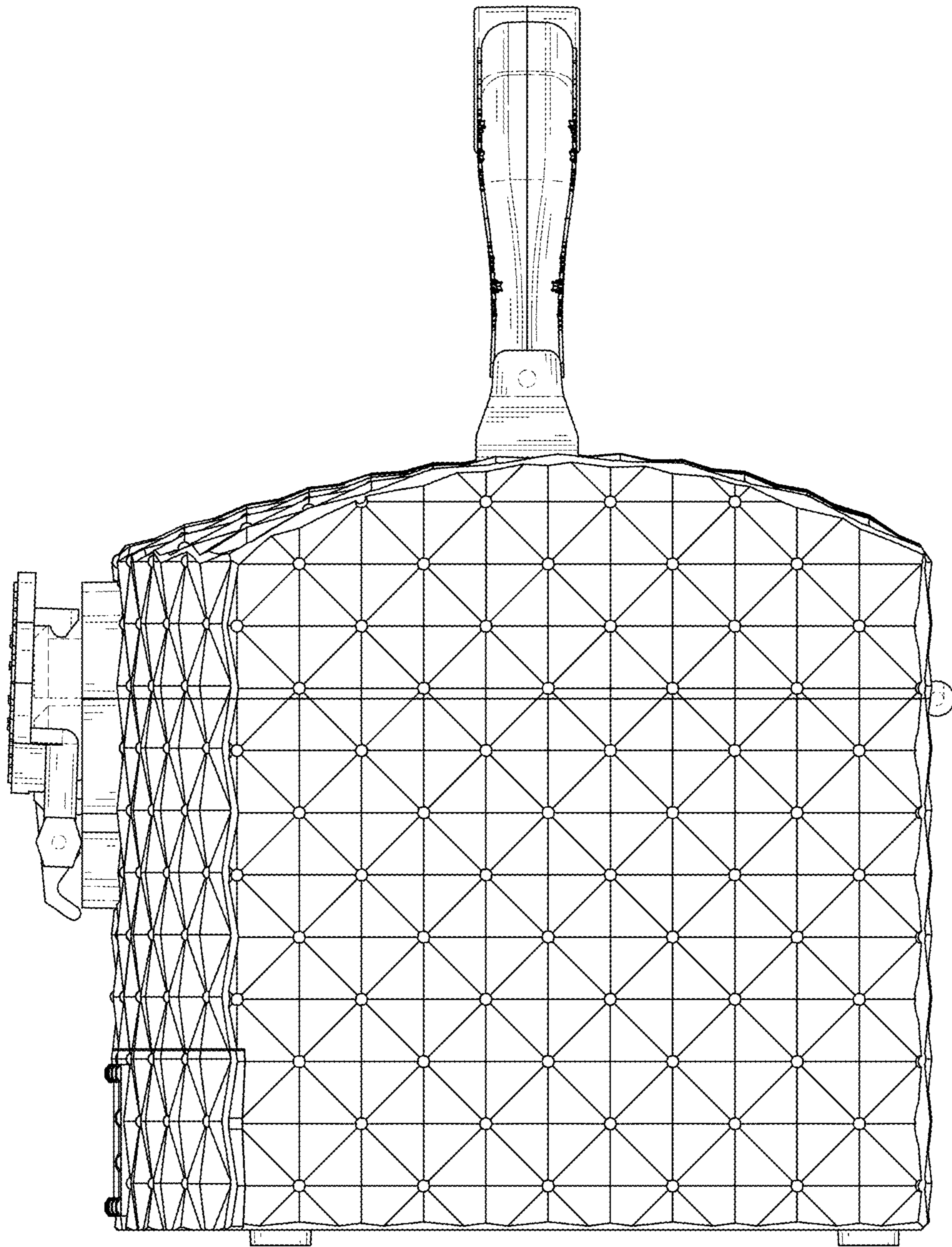


FIG. 6

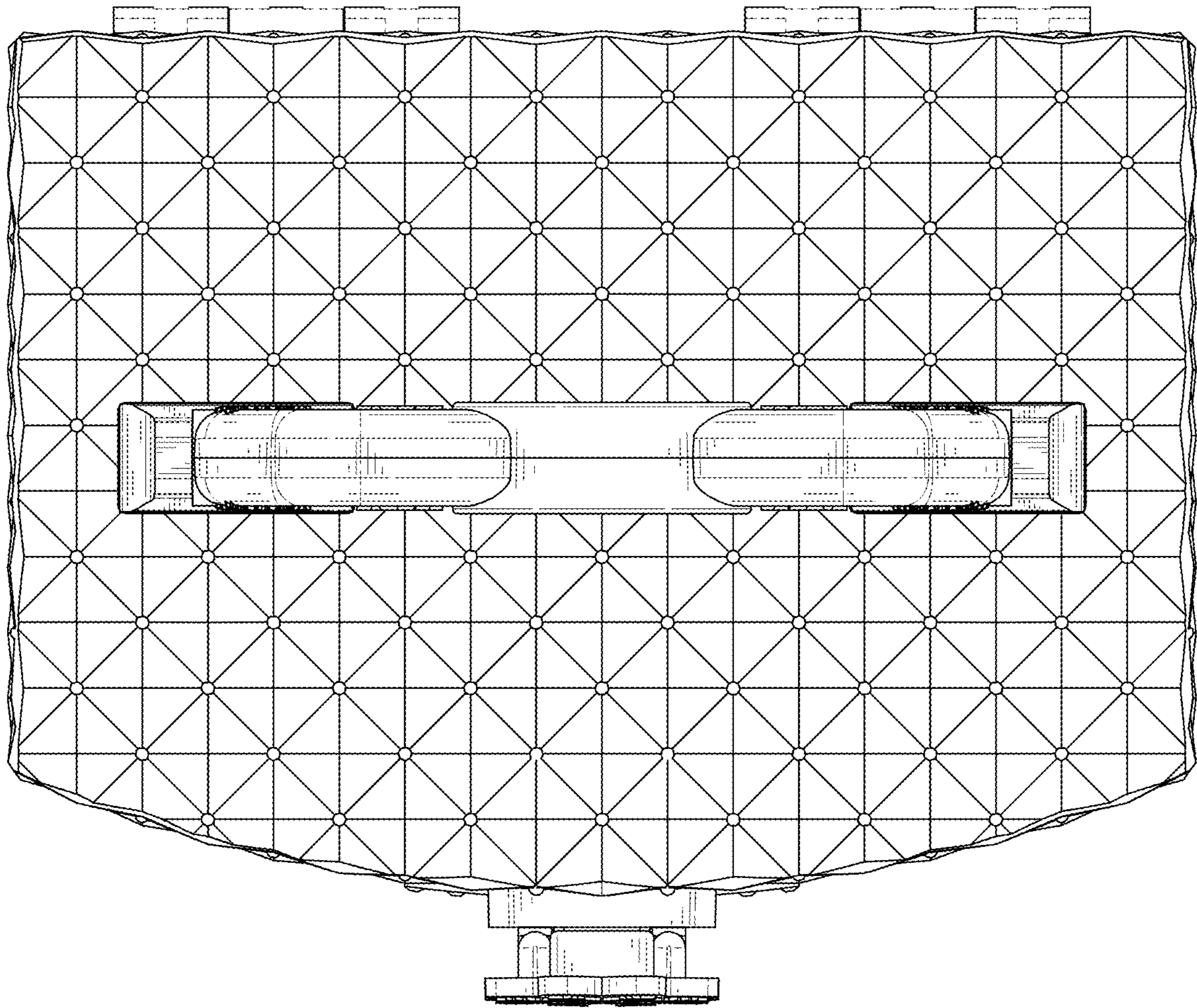


FIG. 7

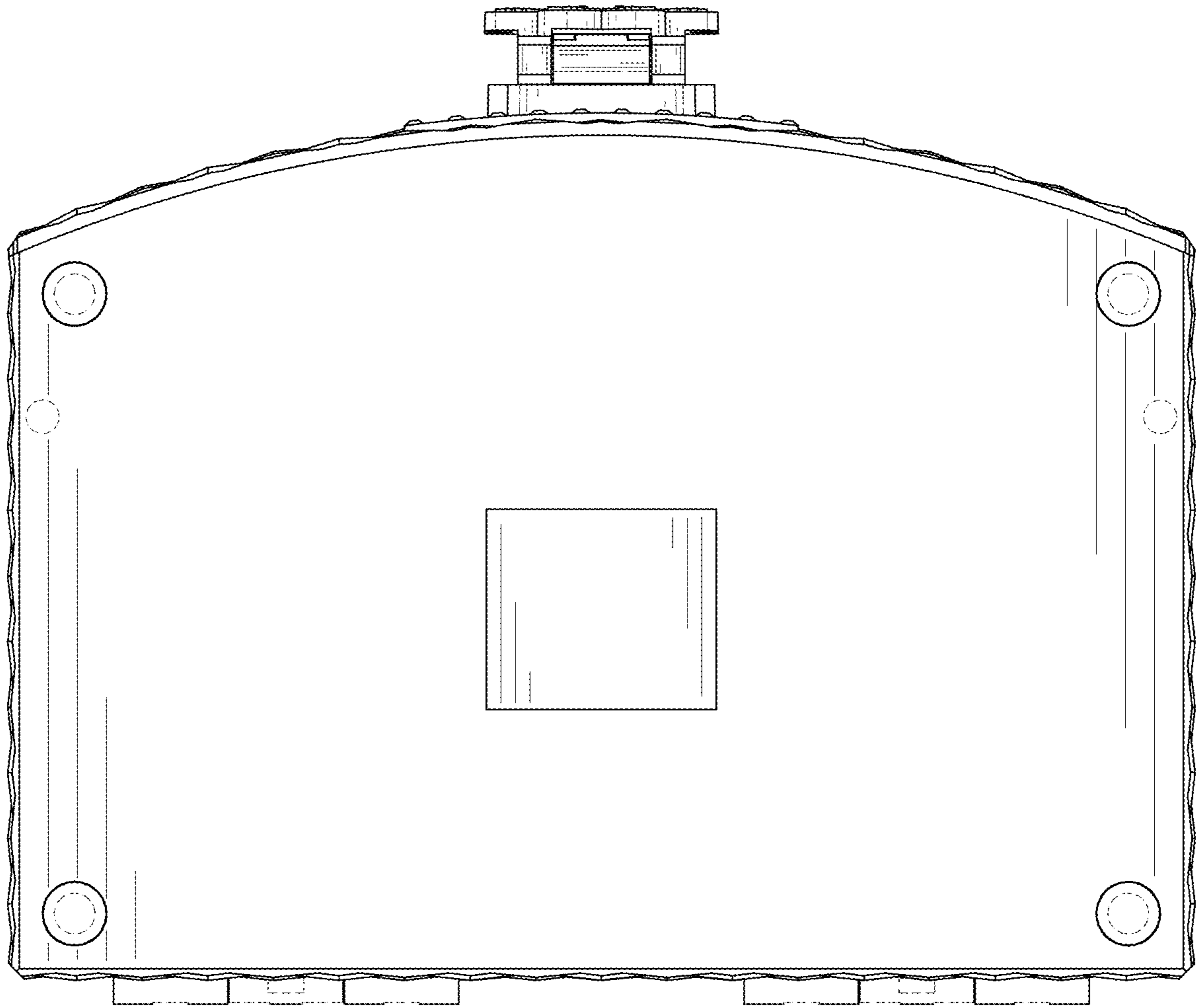


FIG. 8

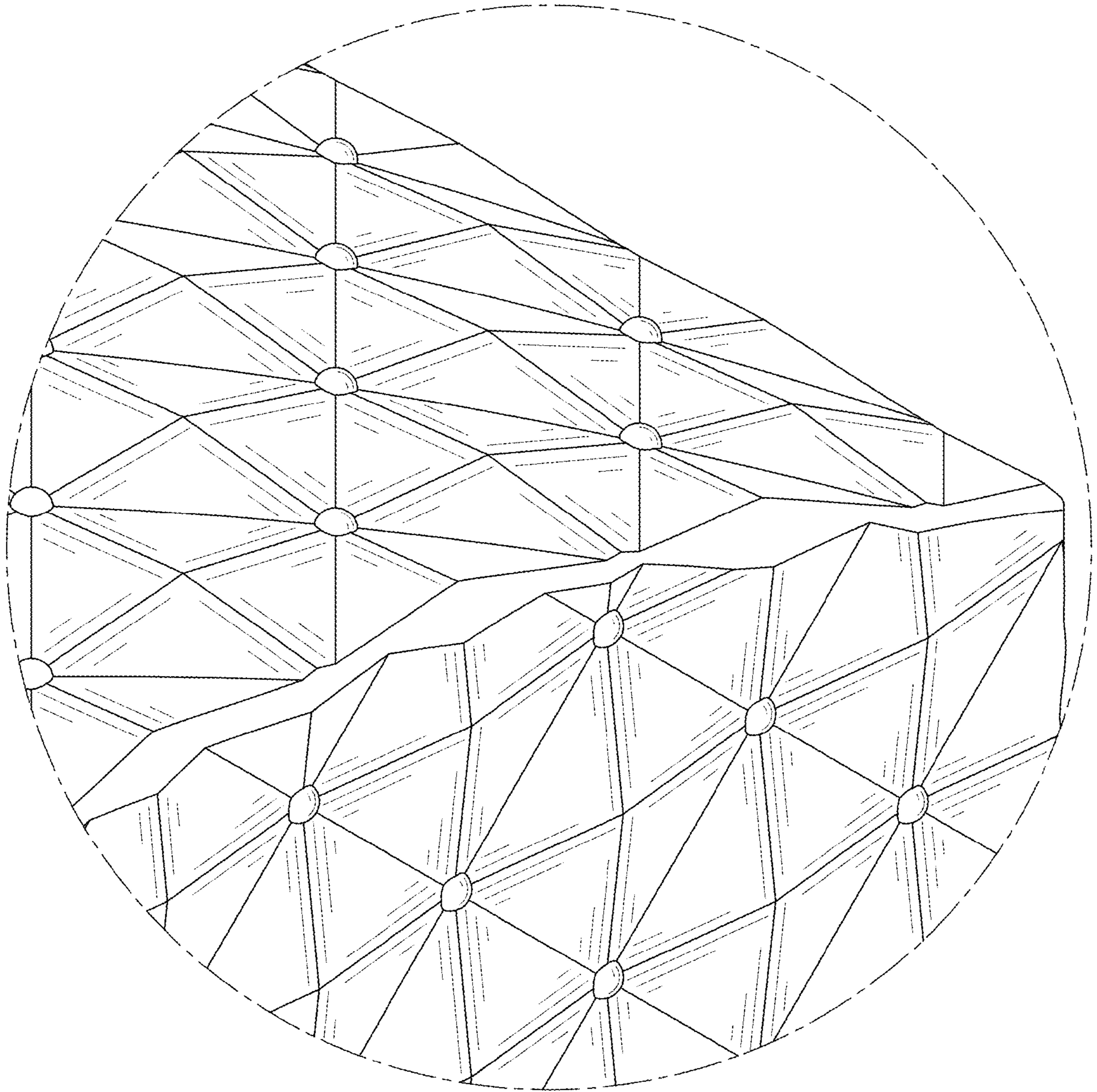


FIG. 9

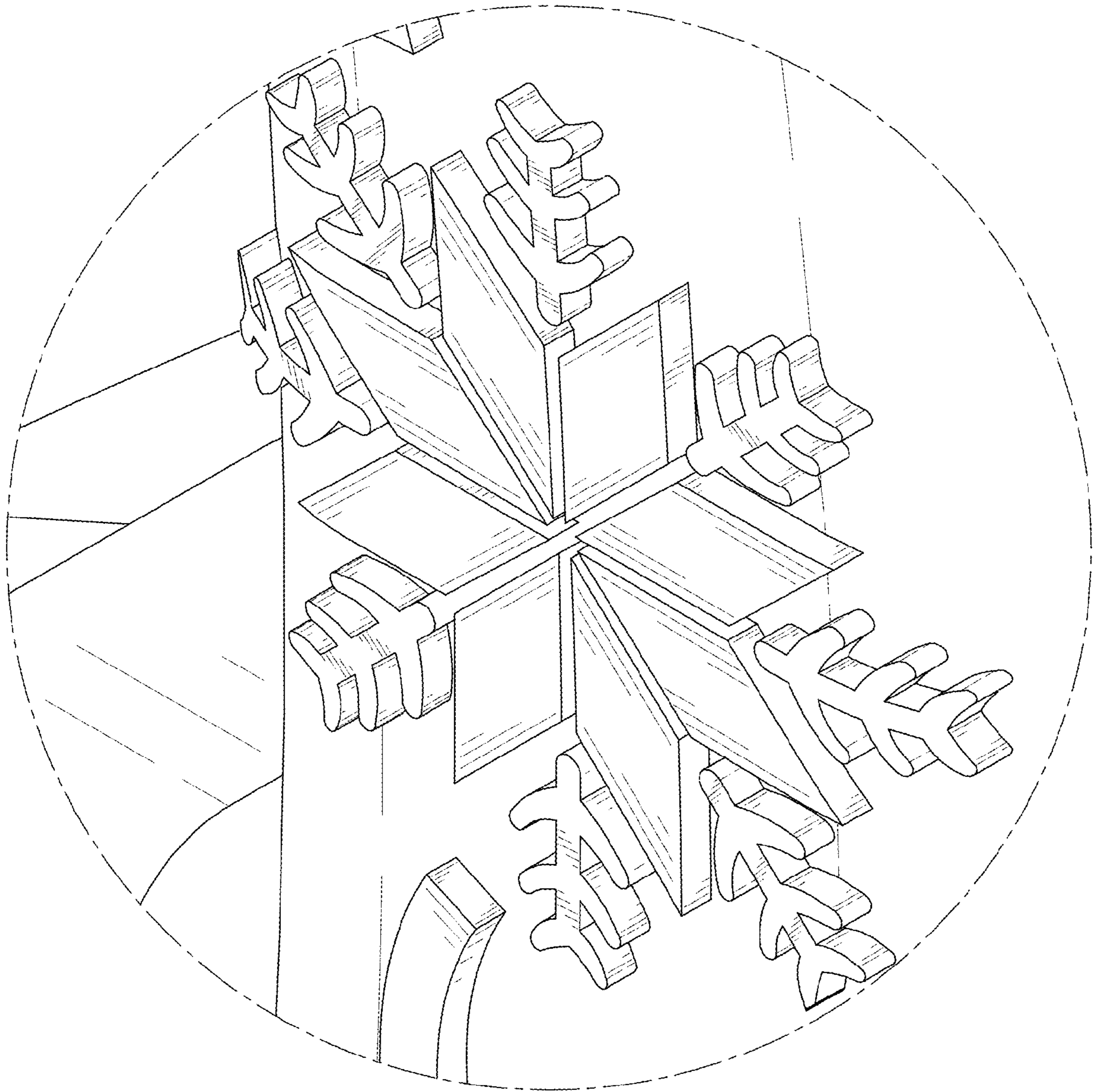


FIG. 10

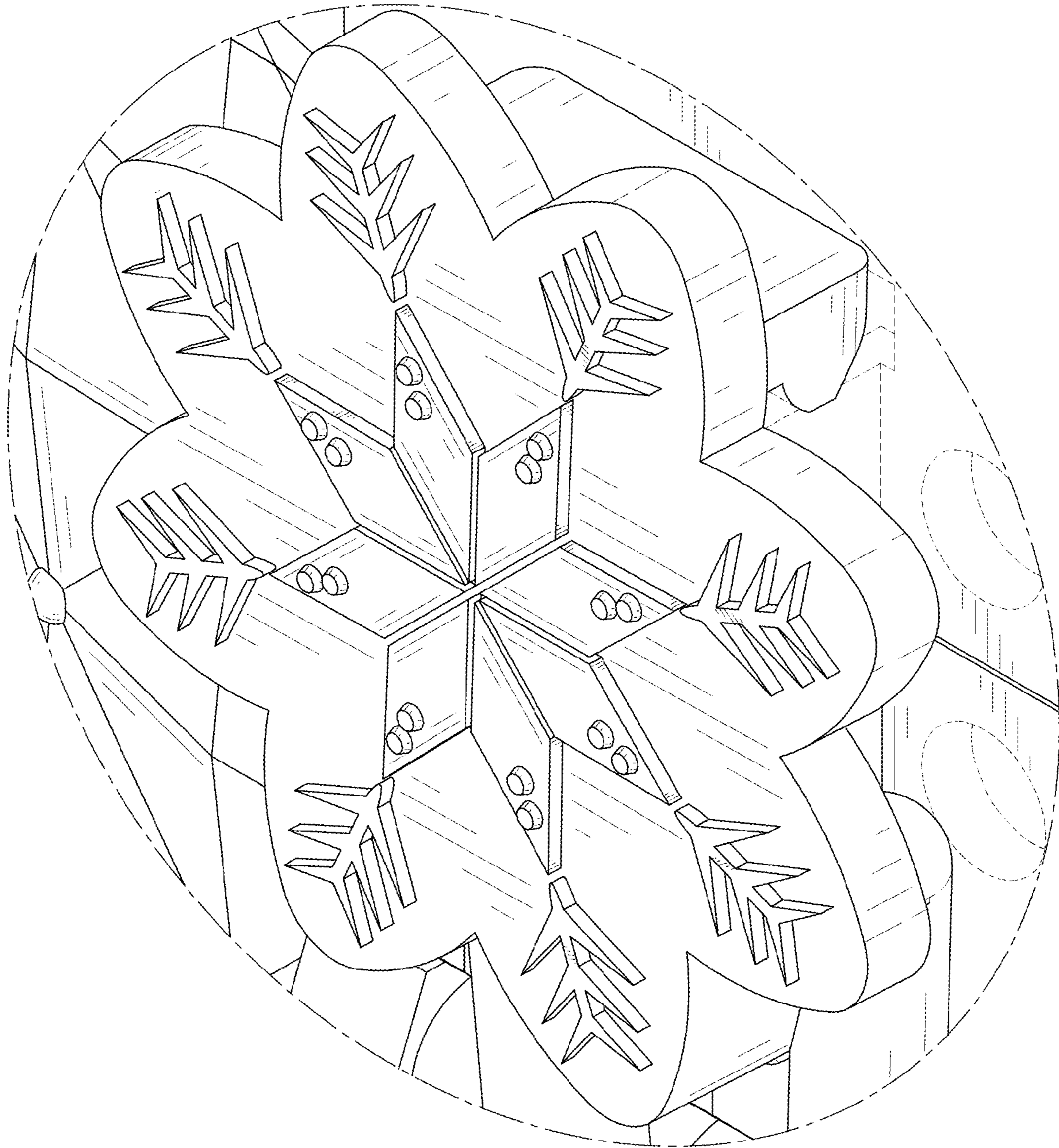


FIG. 11

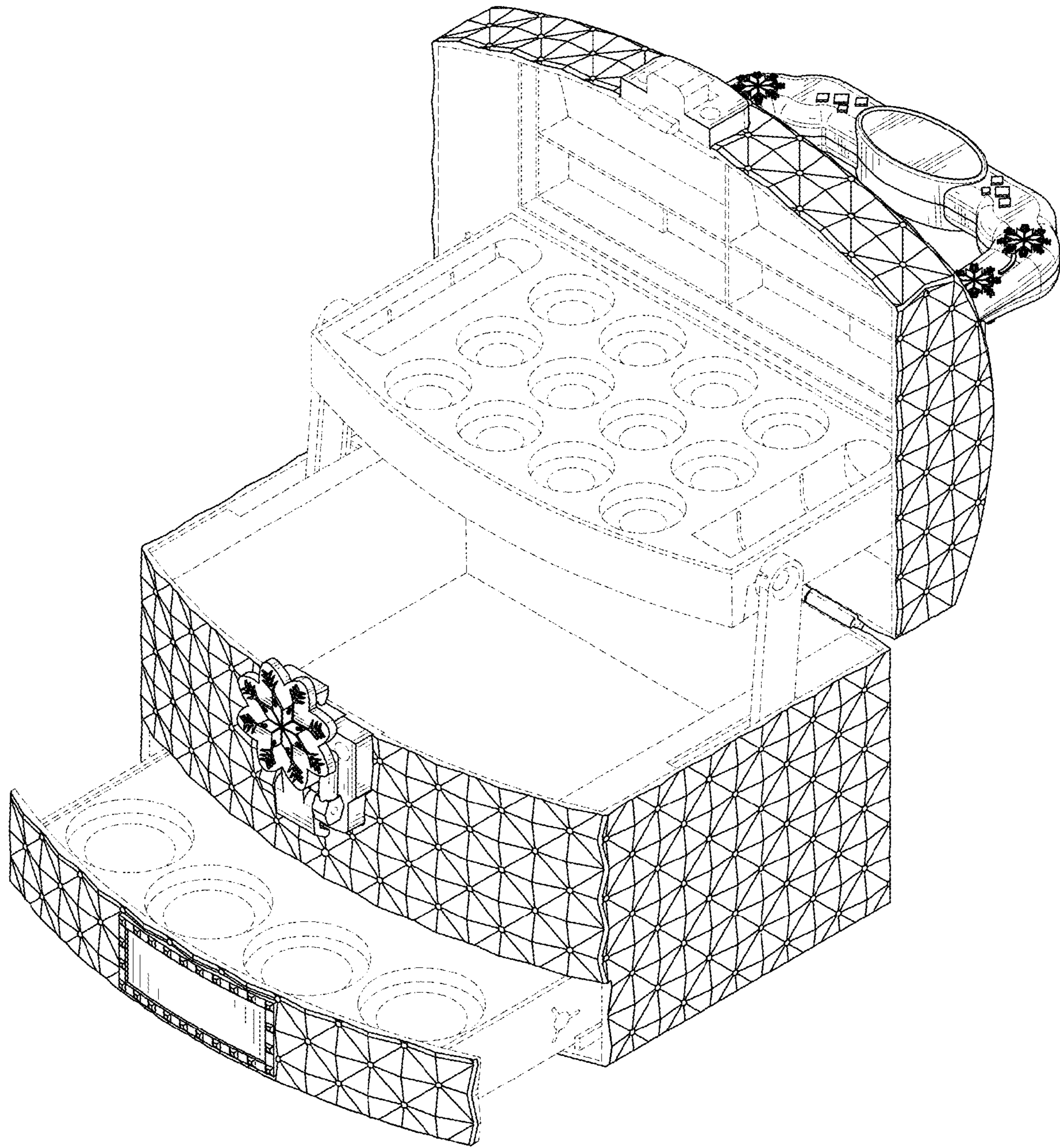


FIG. 12