

US00D962544S

(12) **United States Design Patent**  
**Buck, Jr. et al.**

(10) **Patent No.:** **US D962,544 S**

(45) **Date of Patent:** **\*\* Aug. 30, 2022**

(54) **HAIR CLIPPER BLADE SETTING TOOL**

(71) Applicant: **WAHL CLIPPER CORPORATION**,  
Sterling, IL (US)

(72) Inventors: **Robert N. Buck, Jr.**, Rock Falls, IL  
(US); **Bruce V. Johnson**, Sterling, IL  
(US)

(73) Assignee: **WAHL CLIPPER CORPORATION**,  
Sterling, IL (US)

(\*\*) Term: **15 Years**

(21) Appl. No.: **29/731,806**

(22) Filed: **Apr. 17, 2020**

(51) **LOC (13) Cl.** ..... **28-03**

(52) **U.S. Cl.**  
USPC ..... **D28/54**

(58) **Field of Classification Search**  
USPC ..... D28/54  
CPC . B26B 19/38; B26B 19/3806; B26B 19/3826;  
B26B 19/3846; B26B 19/20; B26B  
19/205  
See application file for complete search history.

(56) **References Cited**

**U.S. PATENT DOCUMENTS**

7,290,349 B1 \* 11/2007 Carpenter ..... B26B 19/3846  
30/200  
7,350,314 B2 \* 4/2008 McCambridge .... B26B 19/3846  
33/633

8,806,757 B2 \* 8/2014 Moseman ..... B26B 19/3846  
30/208  
9,144,913 B2 \* 9/2015 Gross ..... B26B 19/3893  
D785,249 S \* 4/2017 Torres ..... D28/54  
D903,196 S \* 11/2020 Carlucci ..... D28/54  
11,104,017 B2 \* 8/2021 Carlucci ..... B26B 19/205  
2012/0198716 A1 \* 8/2012 Tonges ..... B26B 19/3893  
33/641

\* cited by examiner

*Primary Examiner* — Jennifer Rivard

(74) *Attorney, Agent, or Firm* — Greer, Burns & Crain,  
Ltd

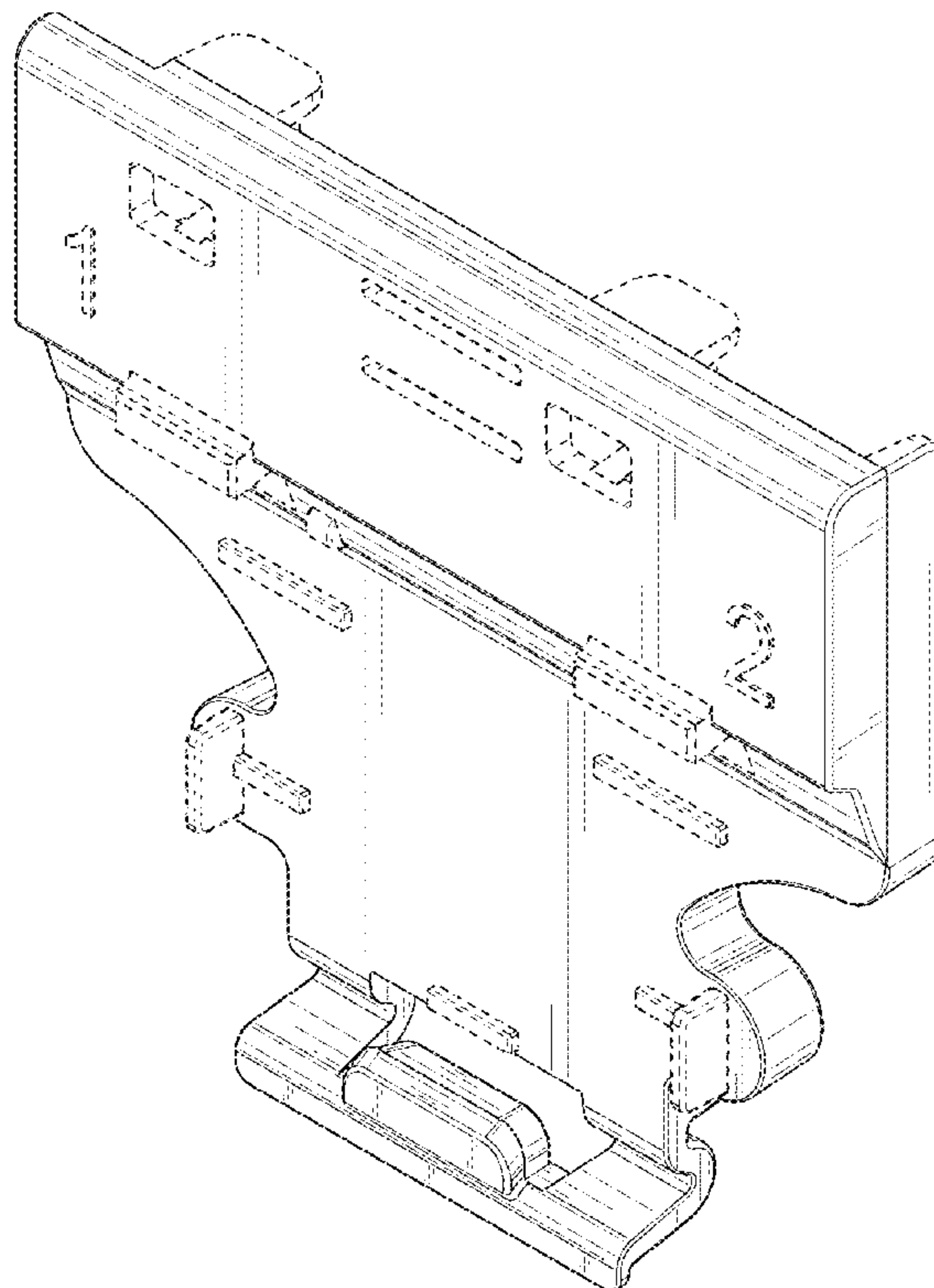
(57) **CLAIM**

The ornamental design for a hair clipper blade setting tool,  
as shown and described.

**DESCRIPTION**

FIG. 1 is a top perspective view of the present hair clipper blade setting tool;  
FIG. 2 is a front view of same;  
FIG. 3 is a rear view of the hair clipper blade setting tool of FIG. 1;  
FIG. 4 is a left side view of the hair clipper blade setting tool of FIG. 1;  
FIG. 5 is a right side view of same;  
FIG. 6 is a top view of the present hair clipper blade setting tool; and,  
FIG. 7 is a bottom view of same.  
The broken lines illustrate portions of the hair clipper blade setting tool and form no part of the claimed design.

**1 Claim, 5 Drawing Sheets**



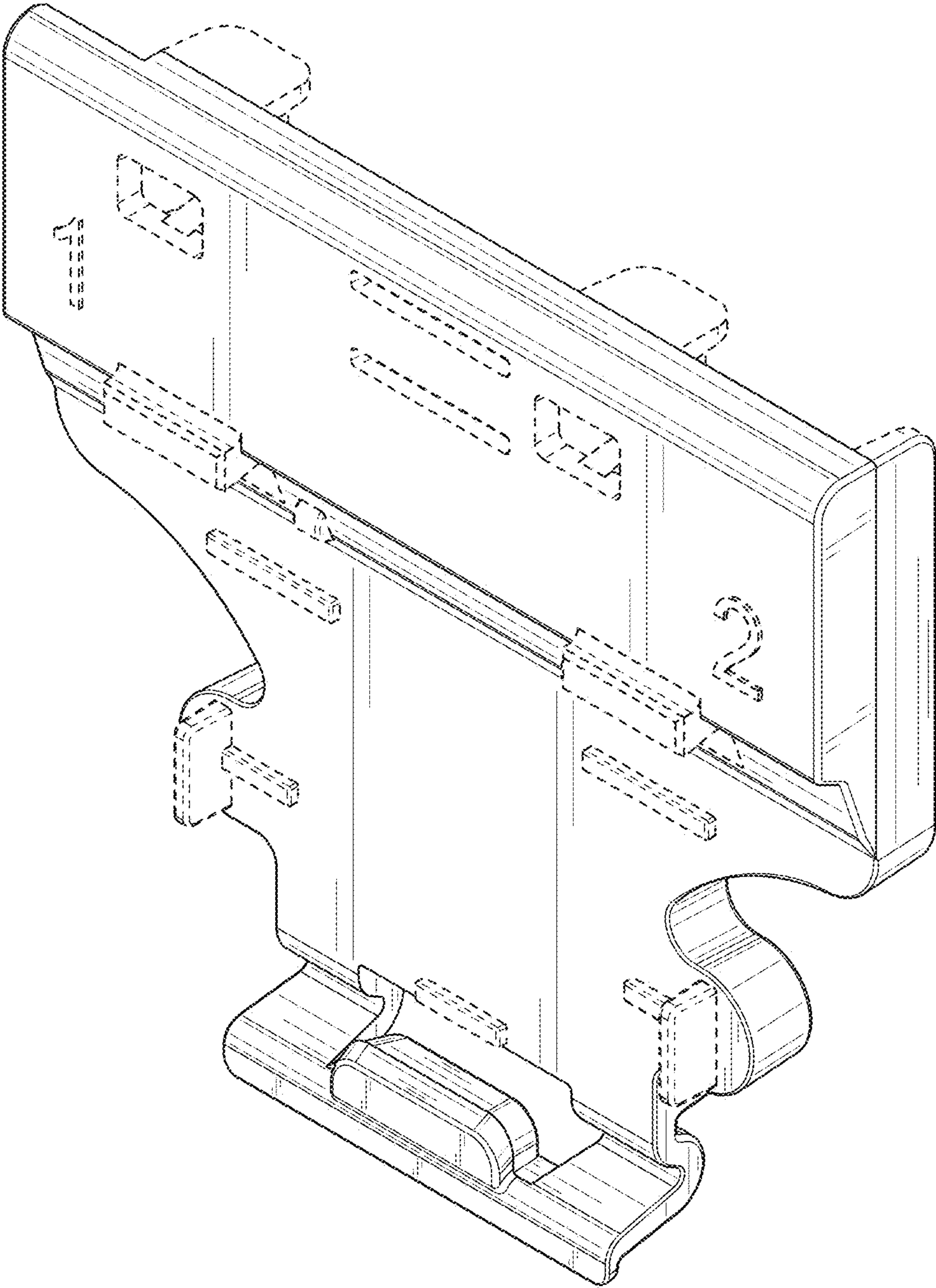


FIG. 1

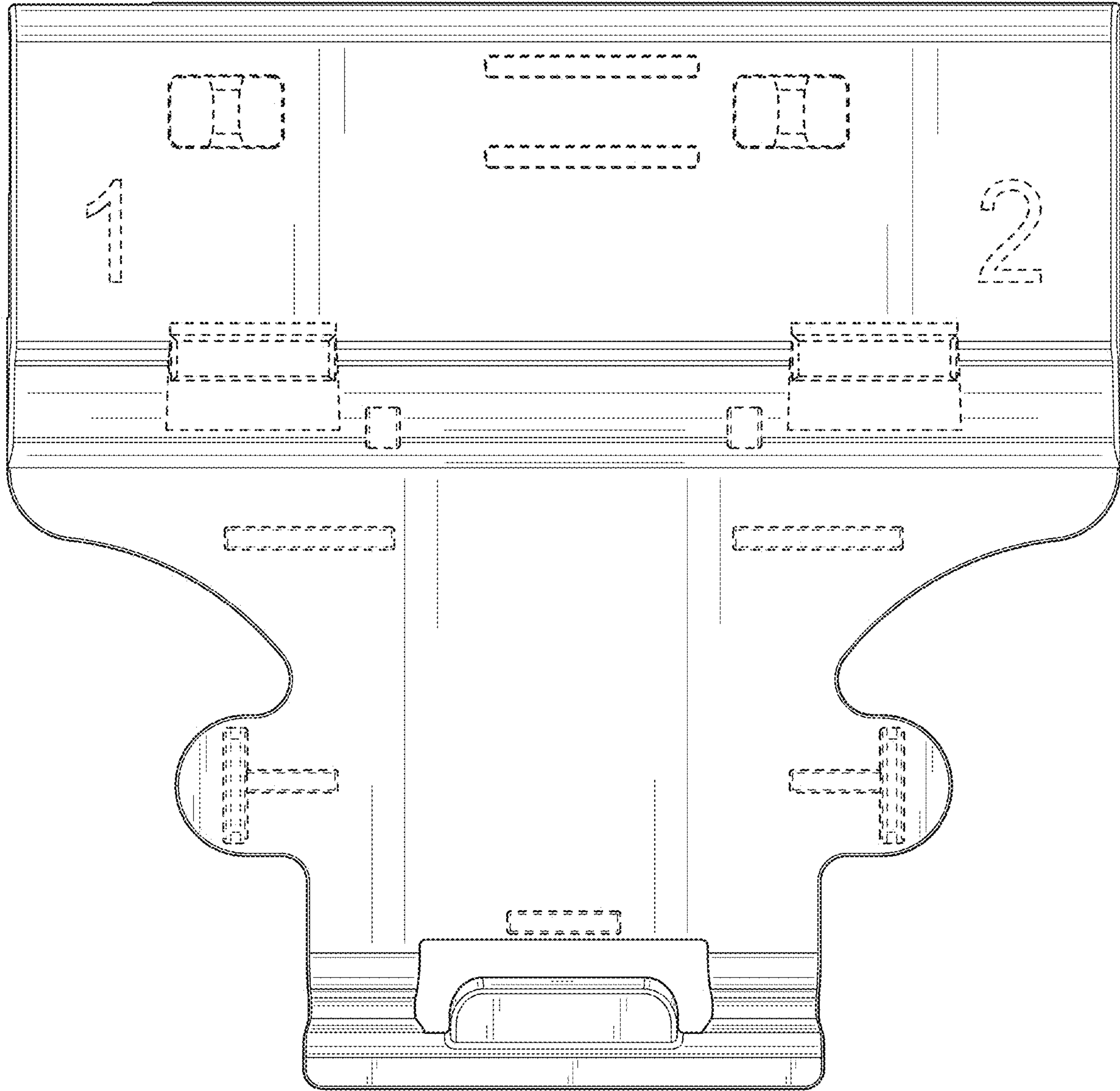


FIG. 2



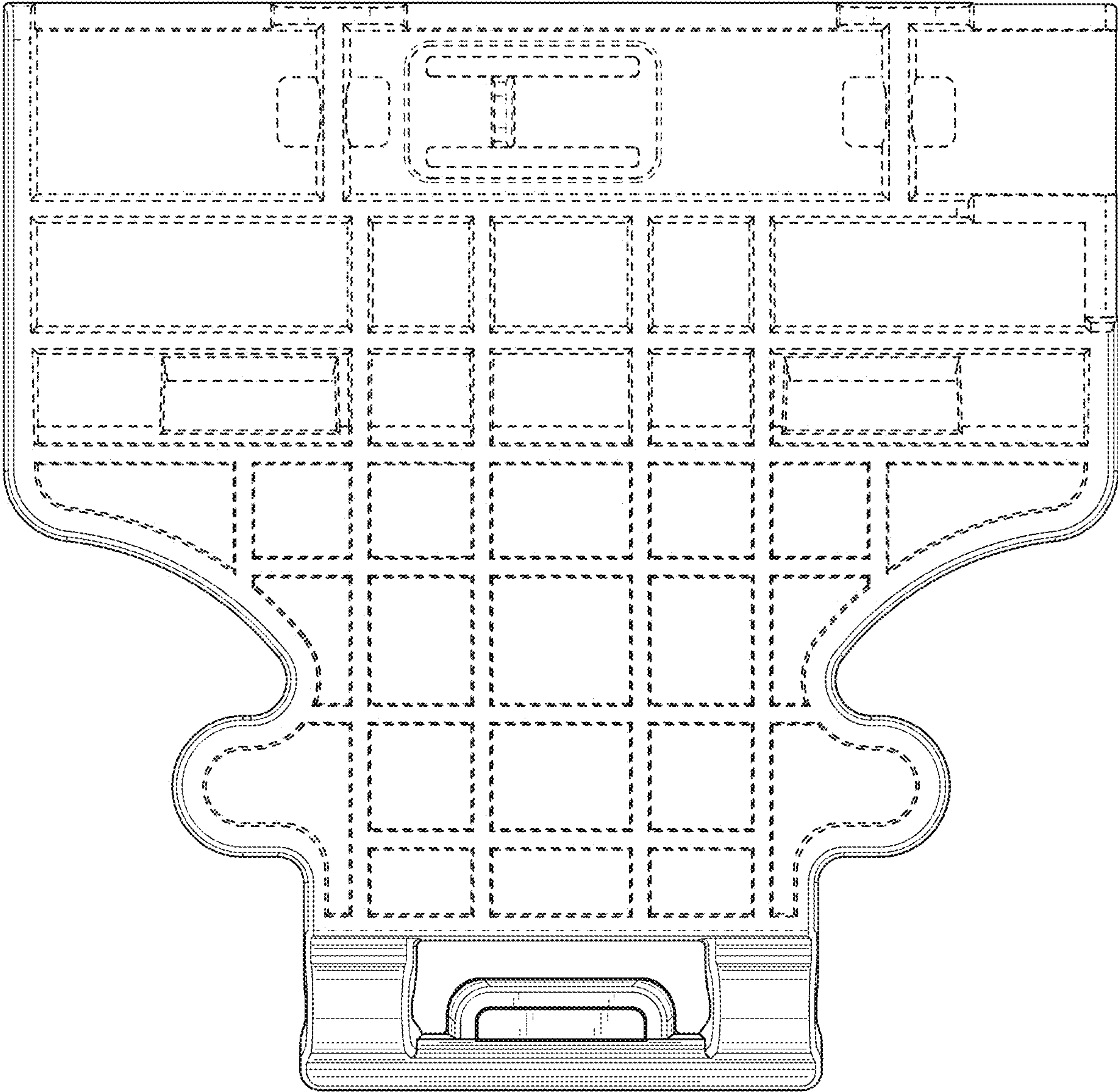


FIG. 3

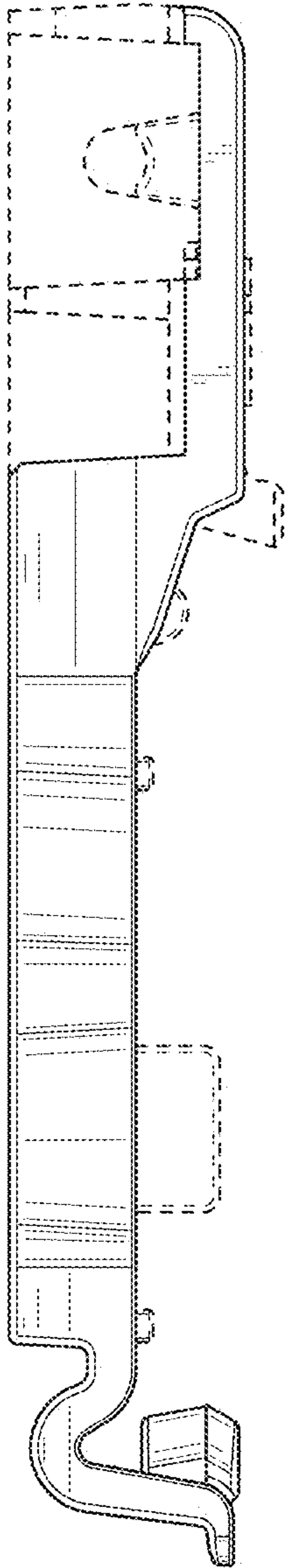


FIG. 4

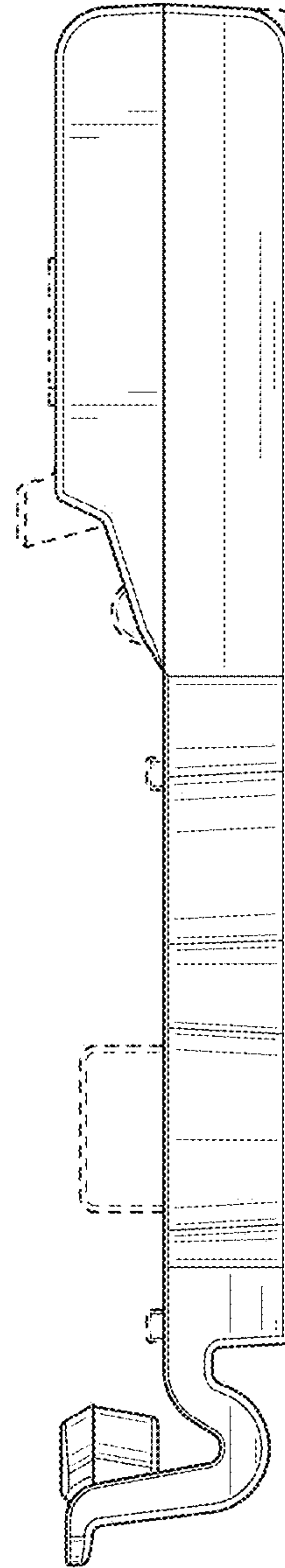


FIG. 5

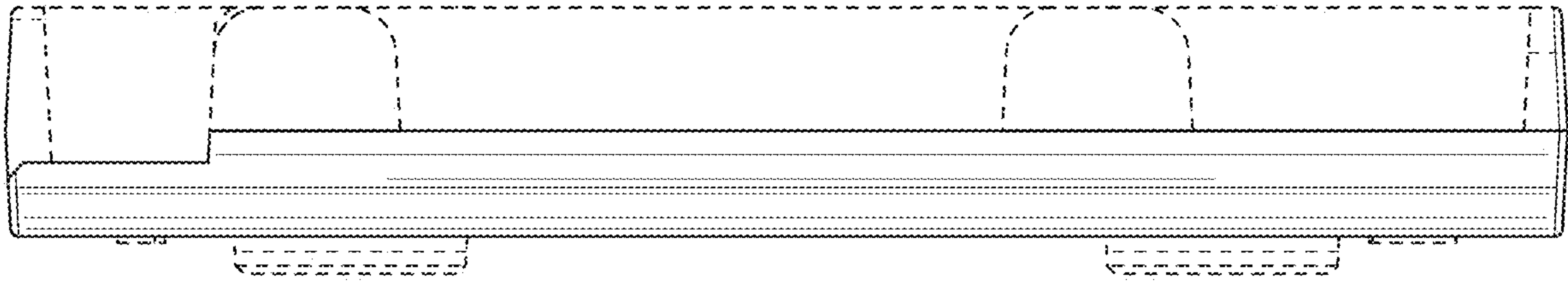


FIG. 6

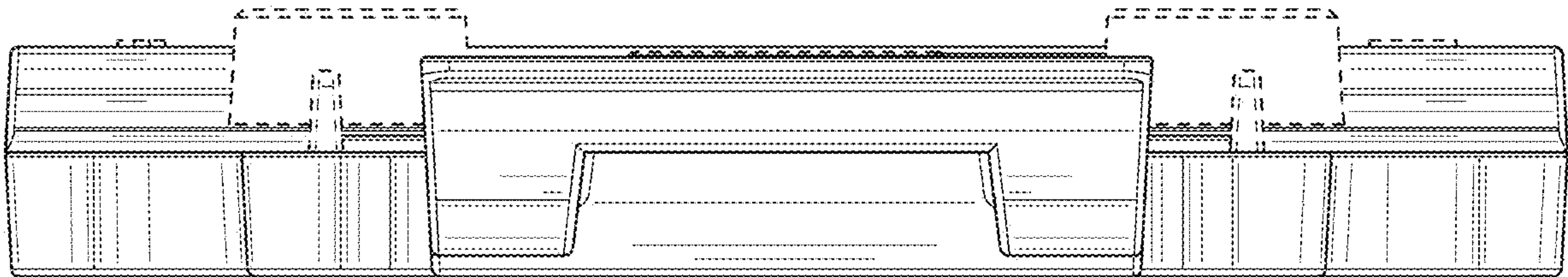


FIG. 7