

US00D962542S

(12) **United States Design Patent**
Luo

(10) **Patent No.:** **US D962,542 S**

(45) **Date of Patent:** **** Aug. 30, 2022**

(54) **HAIR REMOVER**

(71) Applicant: **Shenzhen Hongwang Nicemay Electric Co., Ltd., Shenzhen (CN)**

(72) Inventor: **Dewei Luo, Shenzhen (CN)**

(73) Assignee: **SHENZHEN HONGWANG NICEMAY ELECTRIC CO., LTD, Shenzhen (CN)**

(**) Term: **15 Years**

(21) Appl. No.: **29/769,622**

(22) Filed: **Feb. 6, 2021**

(30) **Foreign Application Priority Data**

Sep. 25, 2020 (CN) 202030577149.2

(51) **LOC (13) Cl.** **28-03**

(52) **U.S. Cl.**
USPC **D28/50**

(58) **Field of Classification Search**
USPC D28/50, 54
CPC B26B 19/384-388; B26B 19/14-18; B26B 19/00-107

See application file for complete search history.

(56) **References Cited**

U.S. PATENT DOCUMENTS

D191,448 S * 10/1961 Willem D28/50
D216,383 S * 12/1969 Fischer D28/50

D283,059 S * 3/1986 Satoh D28/50
D307,491 S * 4/1990 Okada D28/50
D841,247 S * 2/2019 Stowers D28/50
D865,291 S * 10/2019 Xiong D28/50
D898,286 S * 10/2020 Khubani D28/51
D911,610 S * 2/2021 Zhang D28/50
D933,893 S * 10/2021 Luo D28/50
D938,652 S * 12/2021 Long D28/50

* cited by examiner

Primary Examiner — Jennifer Rivard

(57) **CLAIM**

The ornamental design for a hair remover, as shown and described.

DESCRIPTION

FIG. 1 is a perspective view of a hair remover showing my new design;

FIG. 2 is another perspective view thereof;

FIG. 3 is a front elevational view thereof;

FIG. 4 is a rear elevational view thereof;

FIG. 5 is a left side elevational view thereof;

FIG. 6 is a right side elevational view thereof;

FIG. 7 is a top plan view thereof;

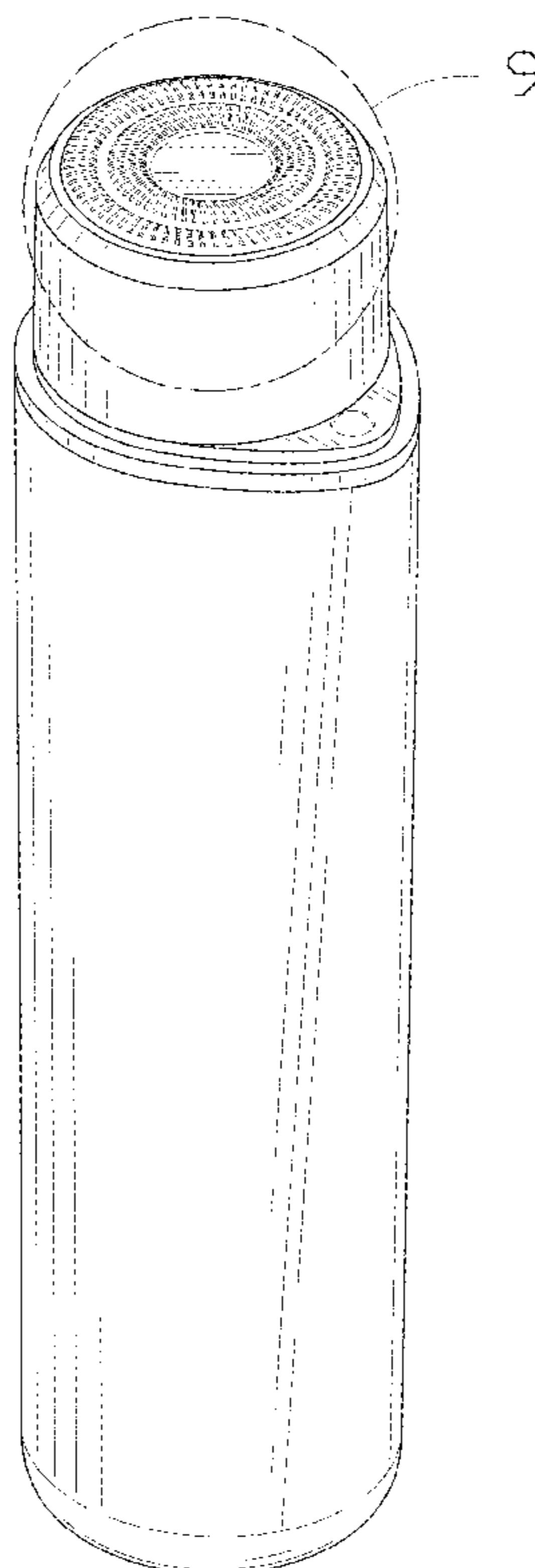
FIG. 8 is a bottom plan view thereof;

FIG. 9 is an enlarged view of the encircled portion 9 of FIG. 1; and,

FIG. 10 is a perspective view of FIG. 1 in a second state, shown with an unclaimed cap.

The broken lines in the drawings are for the purpose of illustrating portions of the hair remover that form no part of the claimed design.

1 Claim, 10 Drawing Sheets



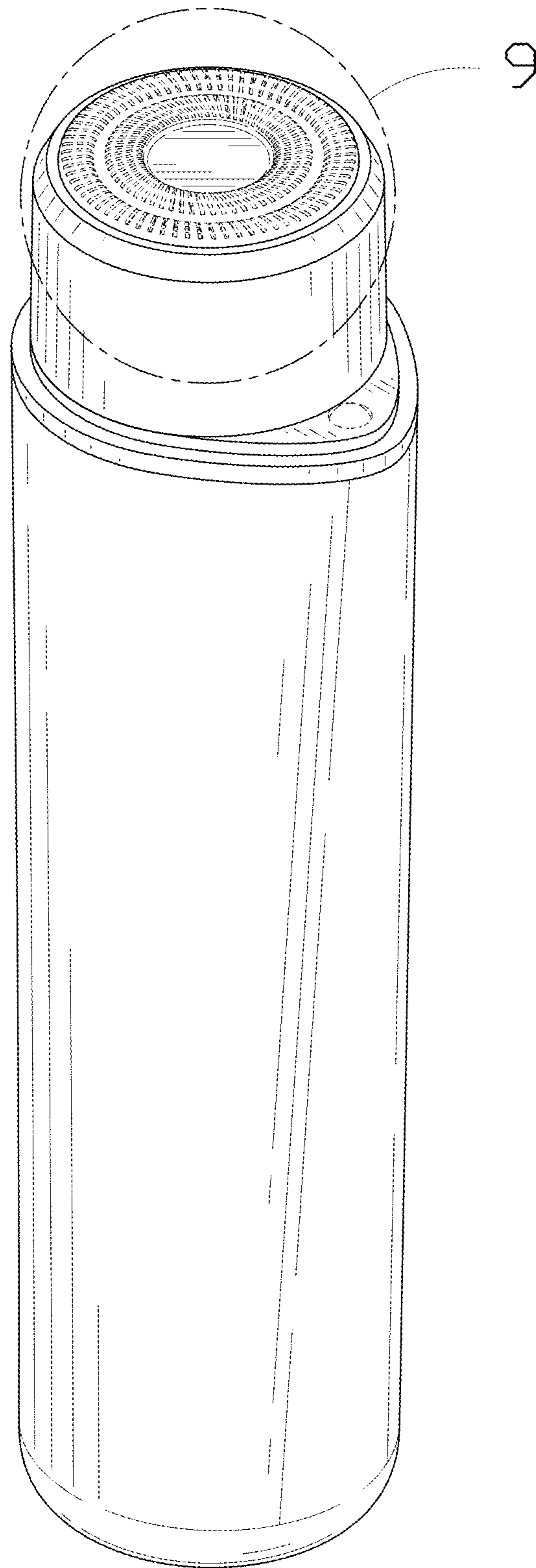


FIG. 1

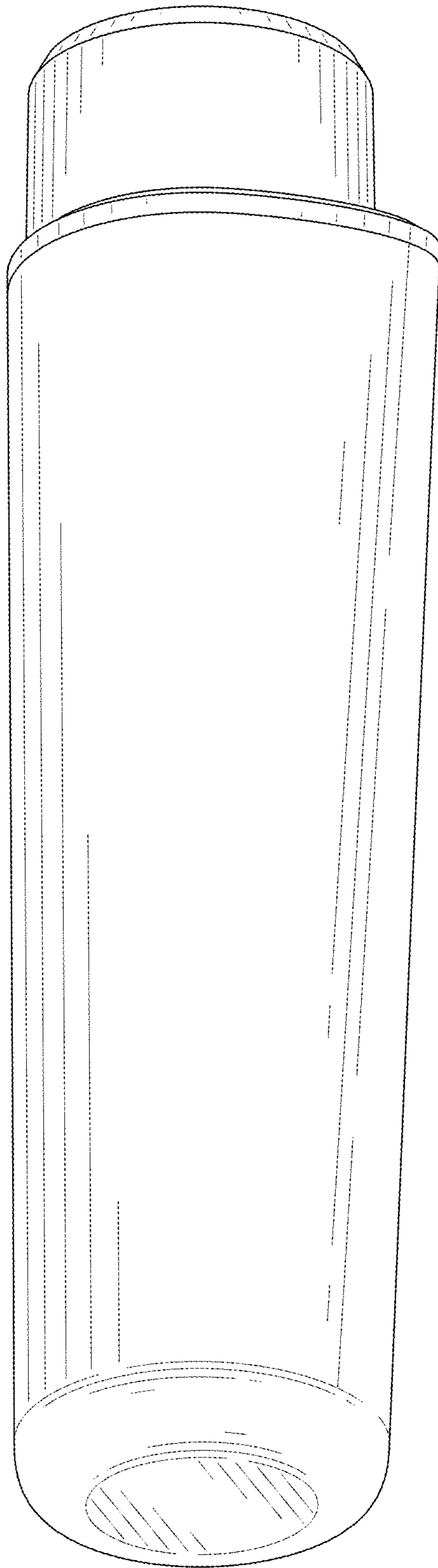


FIG. 2

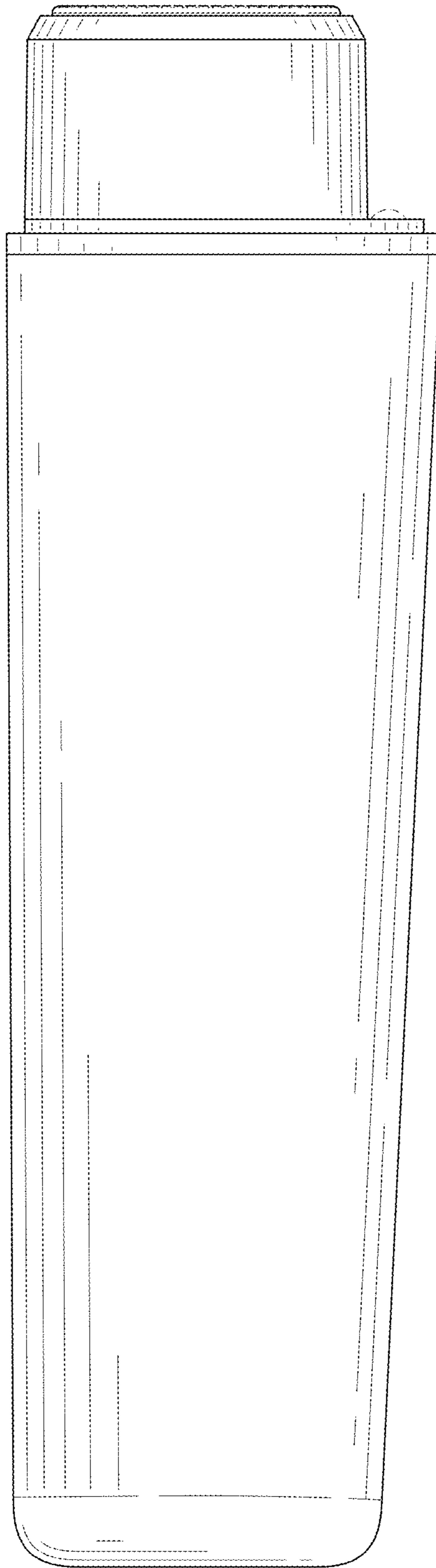


FIG. 3

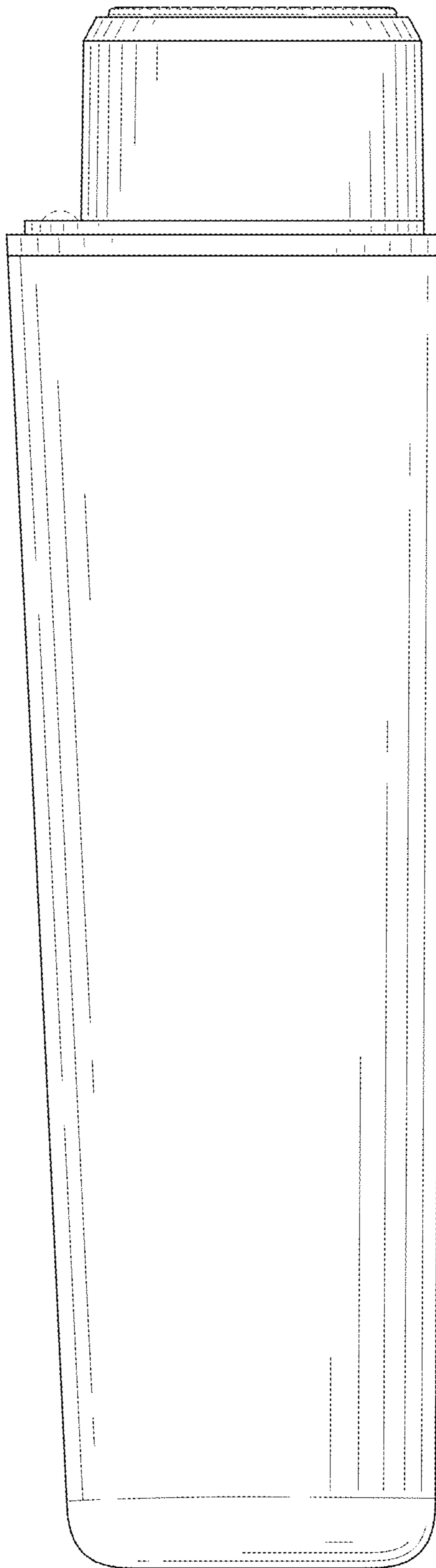


FIG. 4

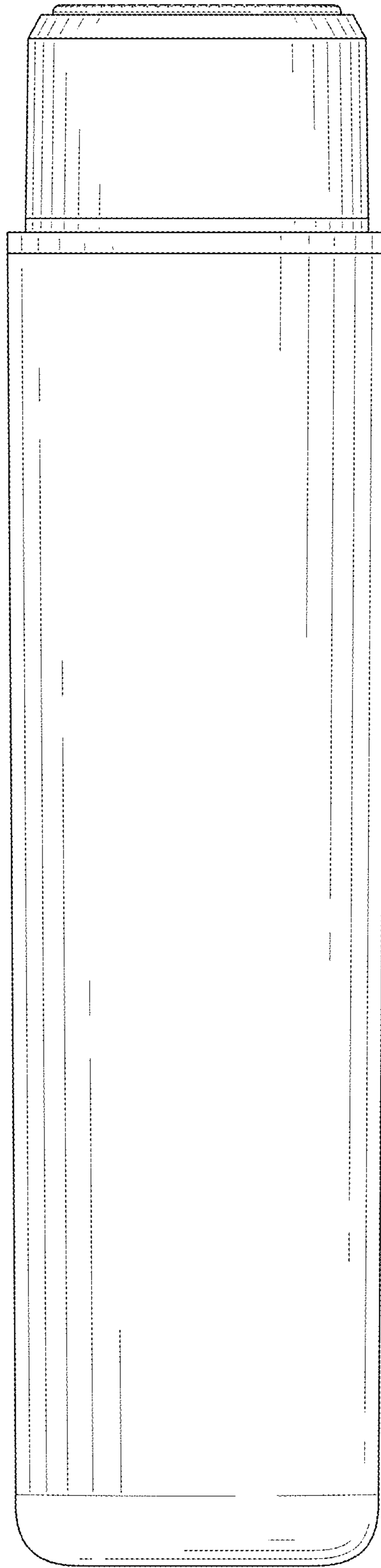


FIG. 5

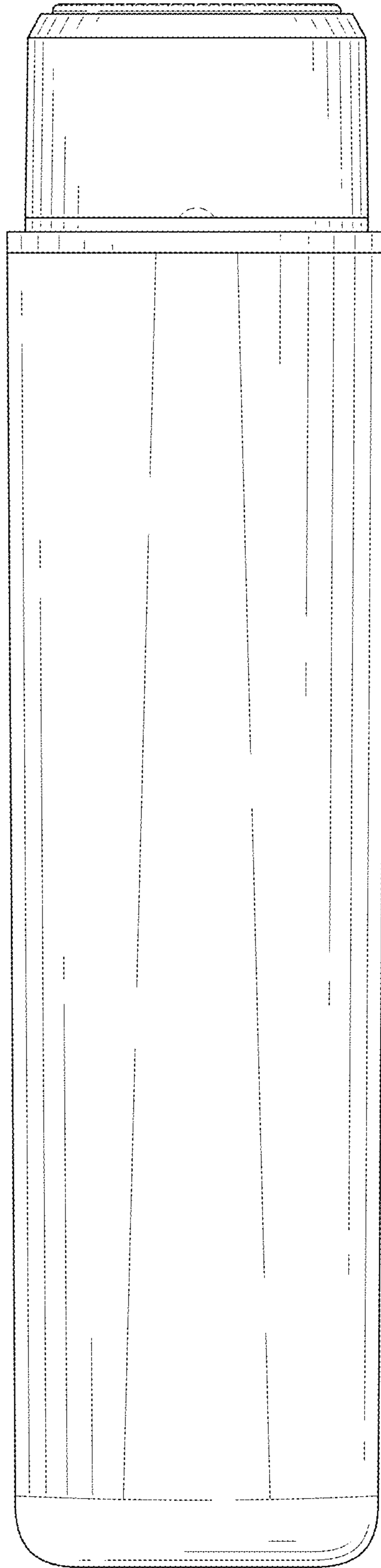


FIG. 6

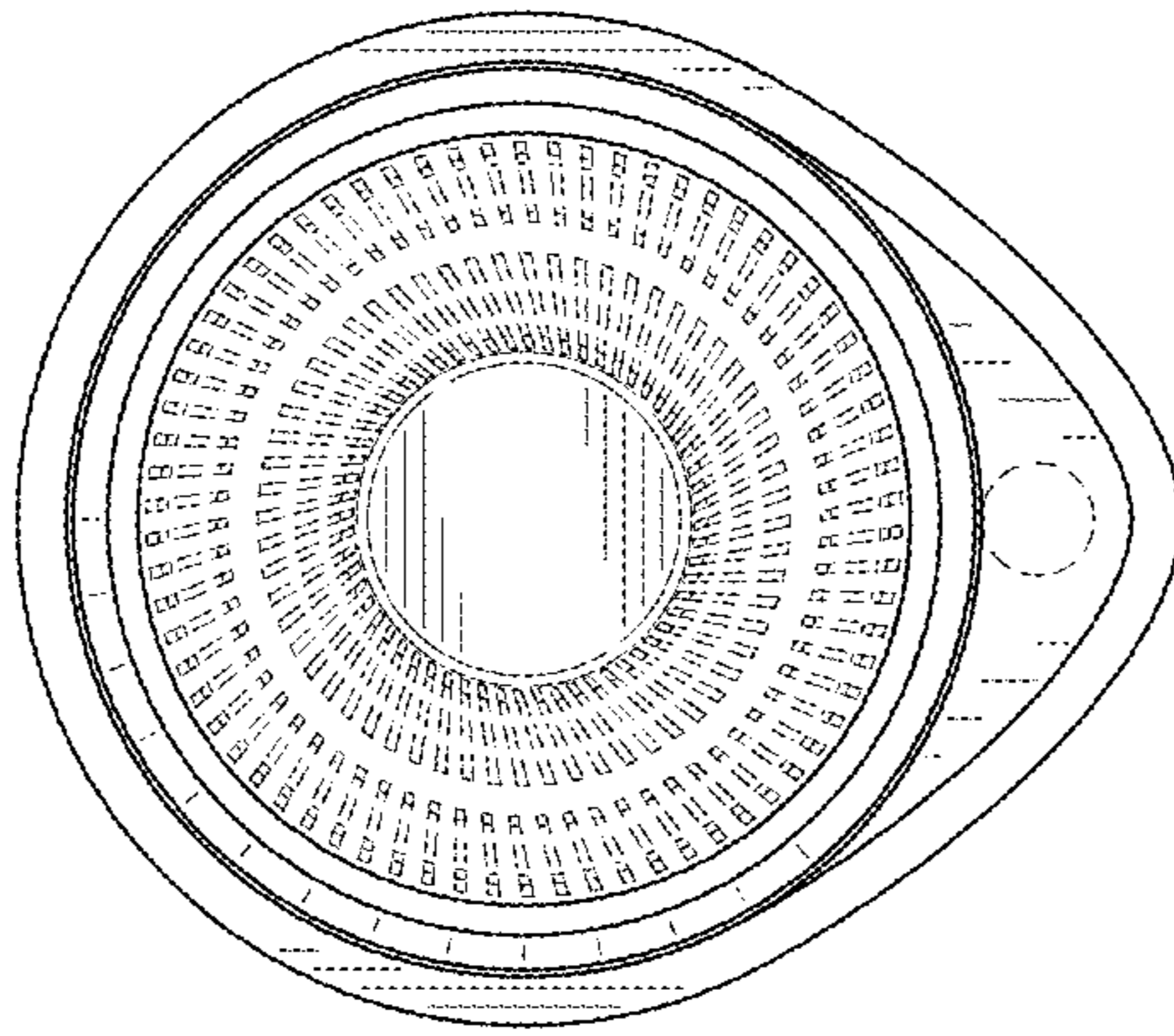


FIG. 7

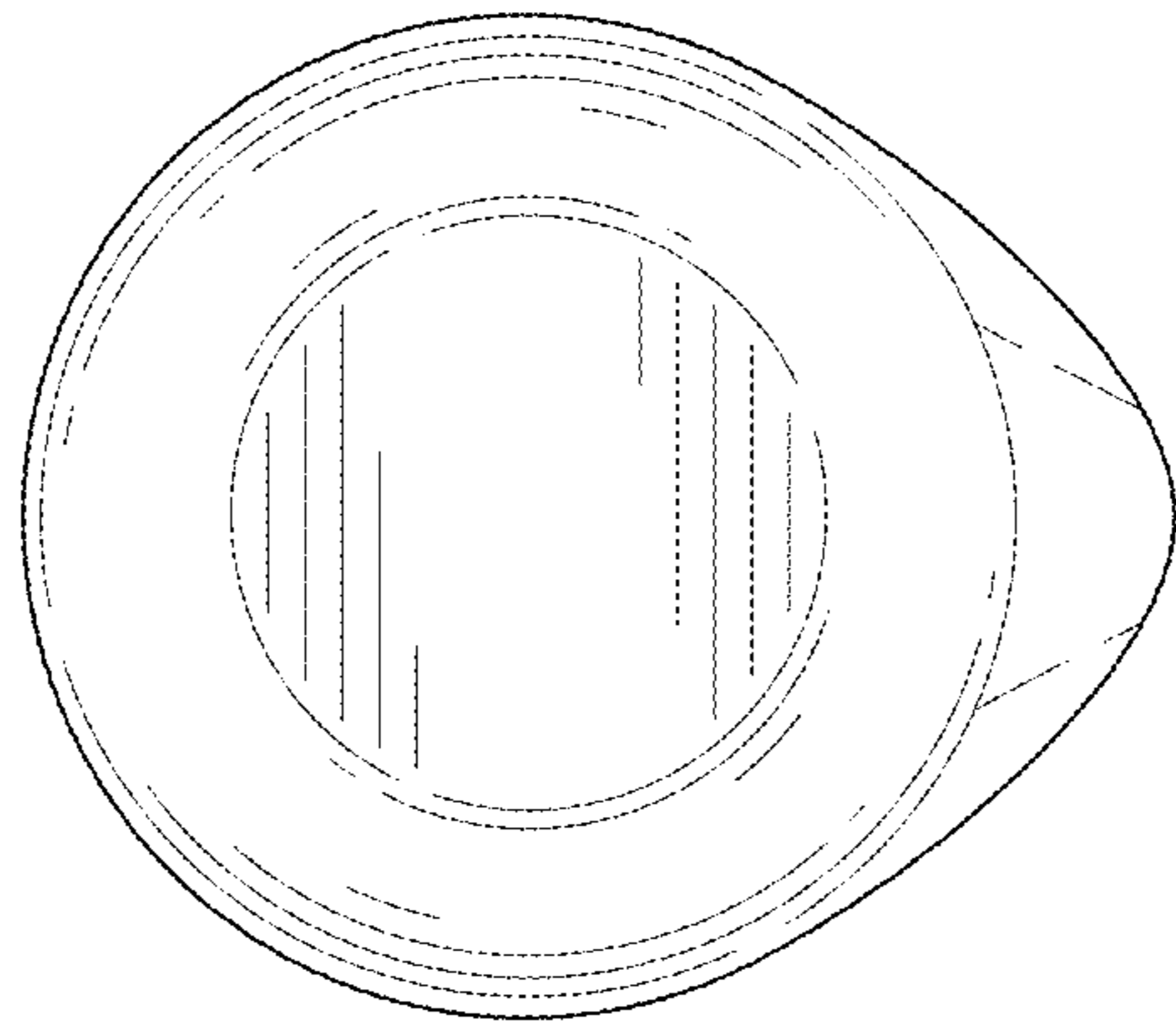


FIG. 8

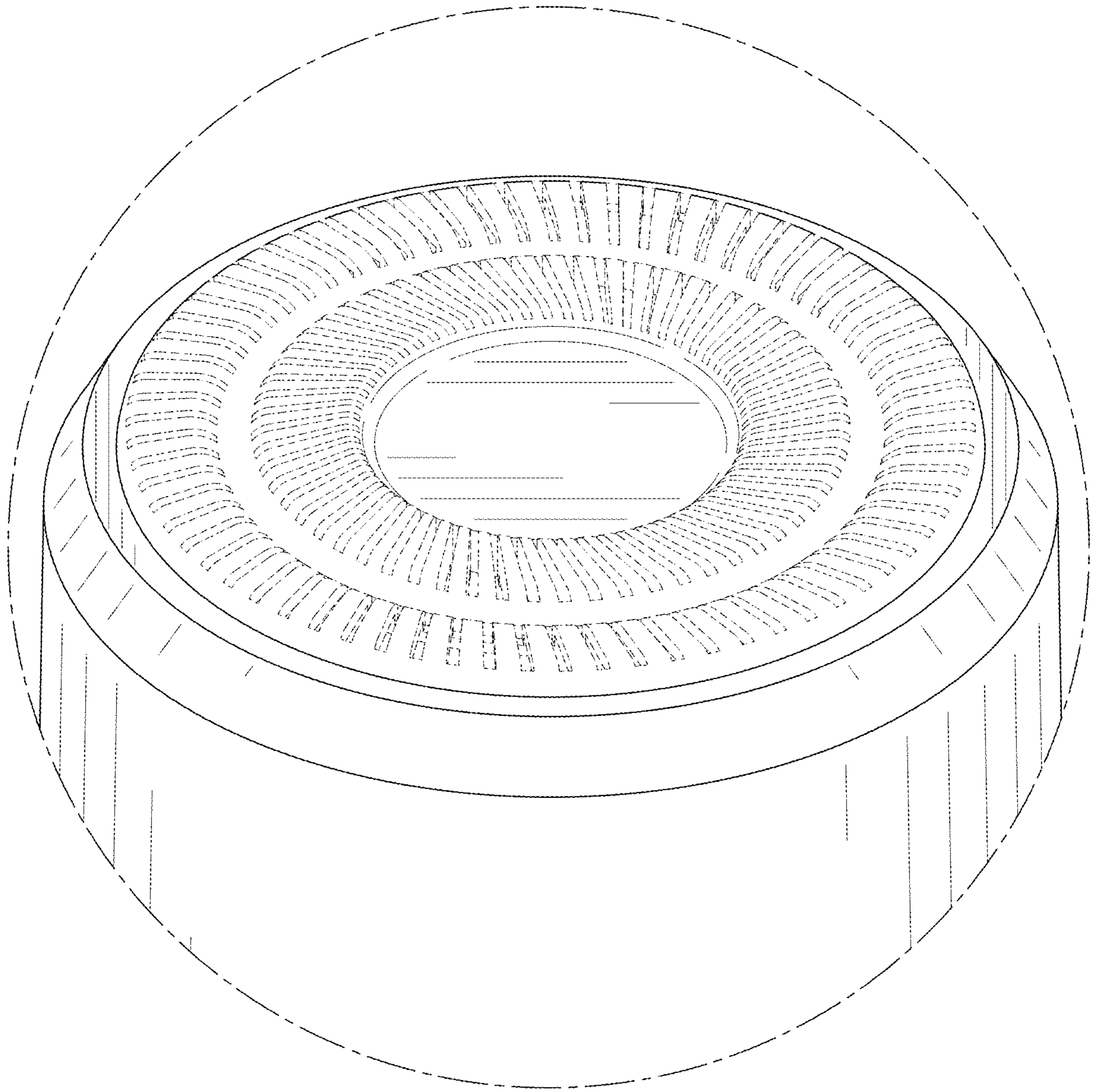


FIG. 9

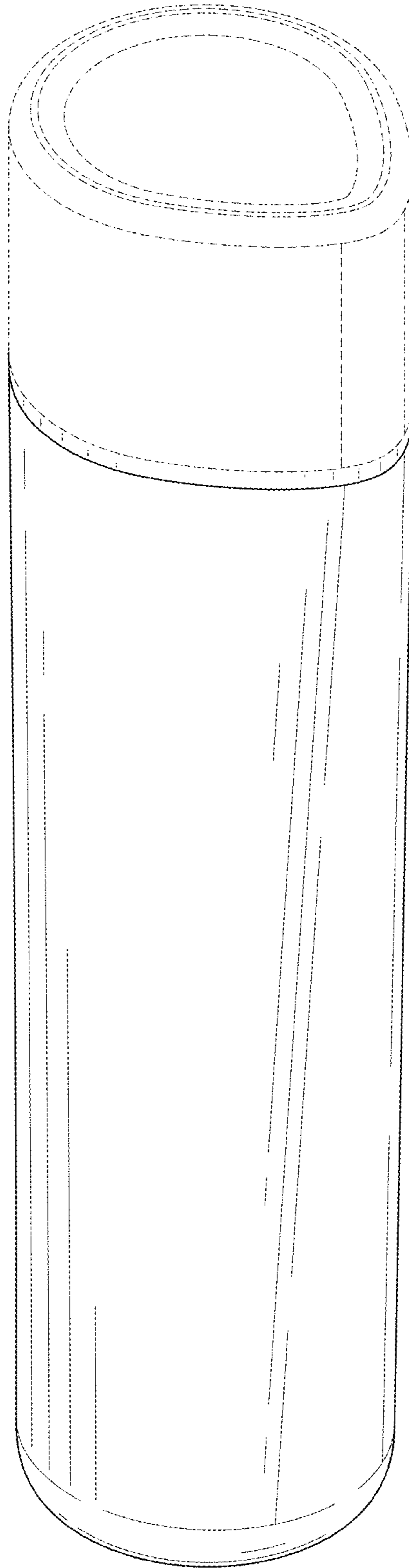


FIG. 10