



US00D962541S

(12) **United States Design Patent** (10) **Patent No.:** **US D962,541 S**  
**Van Roosmalen et al.** (45) **Date of Patent:** **\*\* Aug. 30, 2022**

(54) **SHAVER**

(57) **CLAIM**

(71) Applicant: **KONINKLIJKE PHILIPS N.V.**,  
Eindhoven (NL)

The ornamental design for a shaver, as shown and described.

(72) Inventors: **Jos Van Roosmalen**, Amsterdam (NL);  
**Frank Verbrugge**, Rosmalen (NL);  
**Jens Andersson**, Amsterdam (NL);  
**Roel Krooshof**, Bilthoven (NL); **Simon**  
**Van Anken**, Amsterdam (NL); **Peter**  
**Gal**, Amsterdam (NL); **Lieven**  
**Adriaenssen**, Vilvoorde (BE); **Roshan**  
**Hakim**, Amsterdam (NL); **Mingshuo**  
**Zhang**, Amstelveen (NL)

**DESCRIPTION**

(73) Assignee: **KONINKLIJKE PHILIPS N.V.**,  
Eindhoven (NL)

FIG. 1 is a perspective view of a first embodiment showing a shaver according to our design;  
FIG. 2 is a front elevational view thereof;  
FIG. 3 is a rear elevational view thereof;  
FIG. 4 is a right side elevational view thereof;  
FIG. 5 is a left side elevational view thereof;  
FIG. 6 is a top plan view thereof;  
FIG. 7 is a bottom plan view thereof;  
FIG. 8 is a perspective view of a second embodiment showing a shaver according to our design;  
FIG. 9 is a front elevational view thereof;  
FIG. 10 is a rear elevational view thereof;  
FIG. 11 is a right side elevational view thereof;  
FIG. 12 is a left side elevational view thereof;  
FIG. 13 is a top plan view thereof;  
FIG. 14 is a bottom plan view thereof;  
FIG. 15 is a perspective view of a third embodiment showing a shaver according to our design;  
FIG. 16 is a front elevational view thereof;  
FIG. 17 is a rear elevational view thereof;  
FIG. 18 is a right side elevational view thereof;  
FIG. 19 is a left side elevational view thereof;  
FIG. 20 is a top plan view thereof;  
FIG. 21 is a bottom plan view thereof;  
FIG. 22 is a perspective view of a fourth embodiment showing a shaver according to our design;  
FIG. 23 is a front elevational view thereof;  
FIG. 24 is a rear elevational view thereof;  
FIG. 25 is a right side elevational view thereof;  
FIG. 26 is a left side elevational view thereof;  
FIG. 27 is a top plan view thereof;  
FIG. 28 is a bottom plan view thereof;  
FIG. 29 is a perspective view of a fifth embodiment showing a shaver according to our design;

(\*\*) Term: **15 Years**

(21) Appl. No.: **29/723,329**

(22) Filed: **Feb. 6, 2020**

(30) **Foreign Application Priority Data**

Aug. 21, 2019 (EM) ..... 006747143

(51) **LOC (13) Cl.** ..... **28-03**

(52) **U.S. Cl.**  
USPC ..... **D28/50**

(58) **Field of Classification Search**  
USPC ..... D28/49-54

(Continued)

(56) **References Cited**

**U.S. PATENT DOCUMENTS**

D758,014 S \* 5/2016 Smith ..... D28/50  
D758,017 S \* 5/2016 Smith ..... D28/54

(Continued)

*Primary Examiner* — Jennifer Rivard

(Continued)

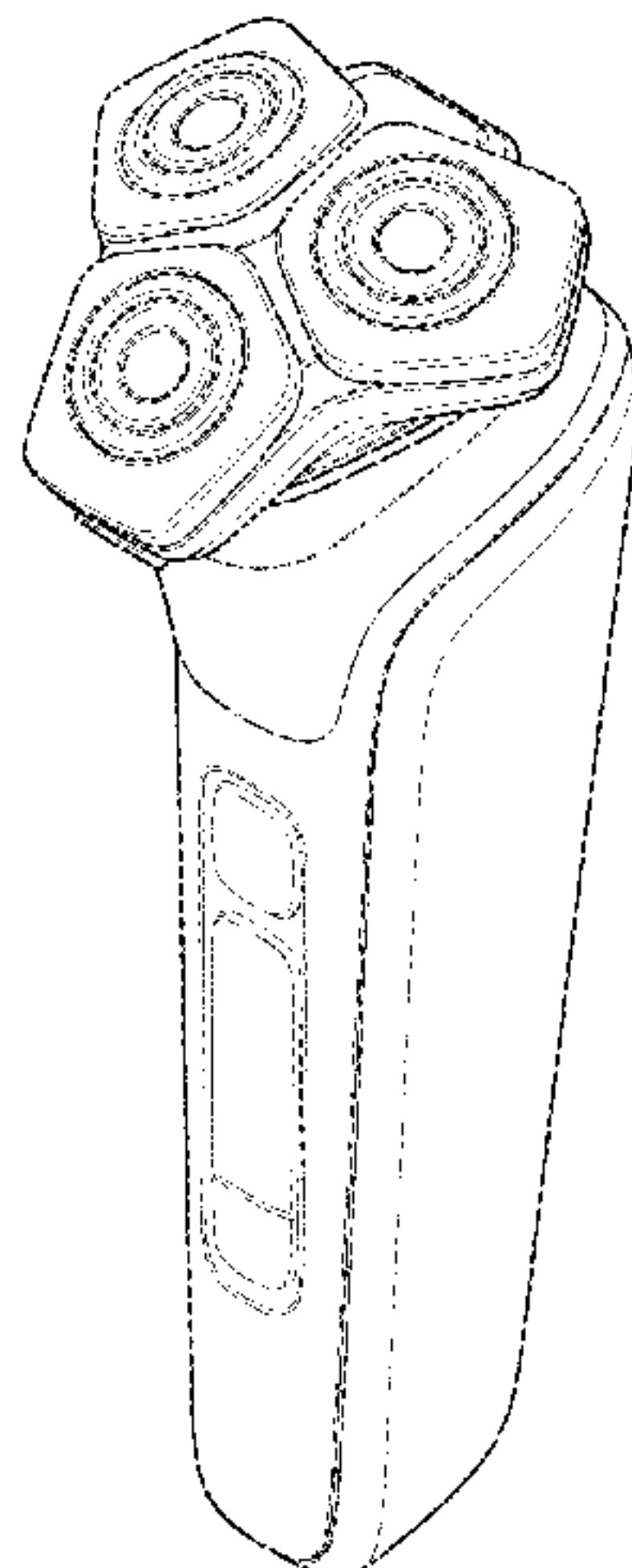


FIG. 30 is a front elevational view thereof;  
 FIG. 31 is a rear elevational view thereof;  
 FIG. 32 is a right side elevational view thereof;  
 FIG. 33 is a left side elevational view thereof;  
 FIG. 34 is a top plan view thereof;  
 FIG. 35 is a bottom plan view thereof;  
 FIG. 36 is a perspective view of a sixth embodiment showing a shaver according to our design;  
 FIG. 37 is a front elevational view thereof;  
 FIG. 38 is a rear elevational view thereof;  
 FIG. 39 is a right side elevational view thereof;  
 FIG. 40 is a left side elevational view thereof;  
 FIG. 41 is a top plan view thereof;  
 FIG. 42 is a bottom plan view thereof;  
 FIG. 43 is a perspective view of a seventh embodiment showing a shaver according to our design;  
 FIG. 44 is a front elevational view thereof;  
 FIG. 45 is a rear elevational view thereof;  
 FIG. 46 is a right side elevational view thereof;  
 FIG. 47 is a left side elevational view thereof;  
 FIG. 48 is a top plan view thereof;  
 FIG. 49 is a bottom plan view thereof;  
 FIG. 50 is a perspective view of an eighth embodiment showing a shaver according to our design;  
 FIG. 51 is a front elevational view thereof;  
 FIG. 52 is a rear elevational view thereof;  
 FIG. 53 is a right side elevational view thereof;  
 FIG. 54 is a left side elevational view thereof;

FIG. 55 is a top plan view thereof; and,  
 FIG. 56 is a bottom plan view thereof.

**1 Claim, 32 Drawing Sheets**

(58) **Field of Classification Search**

CPC ..... B26B 19/14–18; B26B 19/38; B26B 19/3853–3893; B26B 19/3806–384  
 See application file for complete search history.

(56) **References Cited**

U.S. PATENT DOCUMENTS

|              |      |         |               |       |              |
|--------------|------|---------|---------------|-------|--------------|
| D777,375     | S *  | 1/2017  | Frankel       | ..... | D28/50       |
| D777,376     | S *  | 1/2017  | Frankel       | ..... | D28/50       |
| 9,919,437    | B2 * | 3/2018  | Veltman       | ..... | B26B 19/388  |
| D848,072     | S *  | 5/2019  | Prat-Pfister  | ..... | D28/50       |
| 10,357,890   | B2 * | 7/2019  | Yan           | ..... | B26B 19/3866 |
| 10,471,612   | B2 * | 11/2019 | Shimizu       | ..... | B26B 19/146  |
| D880,064     | S *  | 3/2020  | Andersson     | ..... | D28/50       |
| D884,972     | S *  | 5/2020  | Andersson     | ..... | D28/50       |
| D889,042     | S *  | 6/2020  | Andersson     | ..... | D28/50       |
| 10,926,425   | B2 * | 2/2021  | Zak           | ..... | B26B 19/3846 |
| D912,902     | S *  | 3/2021  | Andersson     | ..... | D28/50       |
| D914,290     | S *  | 3/2021  | Kulshreshtha  | ..... | D28/50       |
| 10,946,536   | B2 * | 3/2021  | Winters       | ..... | B26B 19/146  |
| D932,697     | S *  | 10/2021 | Van Roosmalen | ..... | D28/50       |
| D932,698     | S *  | 10/2021 | Van Roosmalen | ..... | D28/50       |
| D932,699     | S *  | 10/2021 | Van Roosmalen | ..... | D28/50       |
| D932,700     | S *  | 10/2021 | Van Roosmalen | ..... | D28/50       |
| D933,894     | S *  | 10/2021 | Van Roosmalen | ..... | D28/50       |
| D934,502     | S *  | 10/2021 | Van Roosmalen | ..... | D28/50       |
| 2021/0069920 | A1 * | 3/2021  | Kulshreshtha  | ..... | B26B 19/386  |

\* cited by examiner

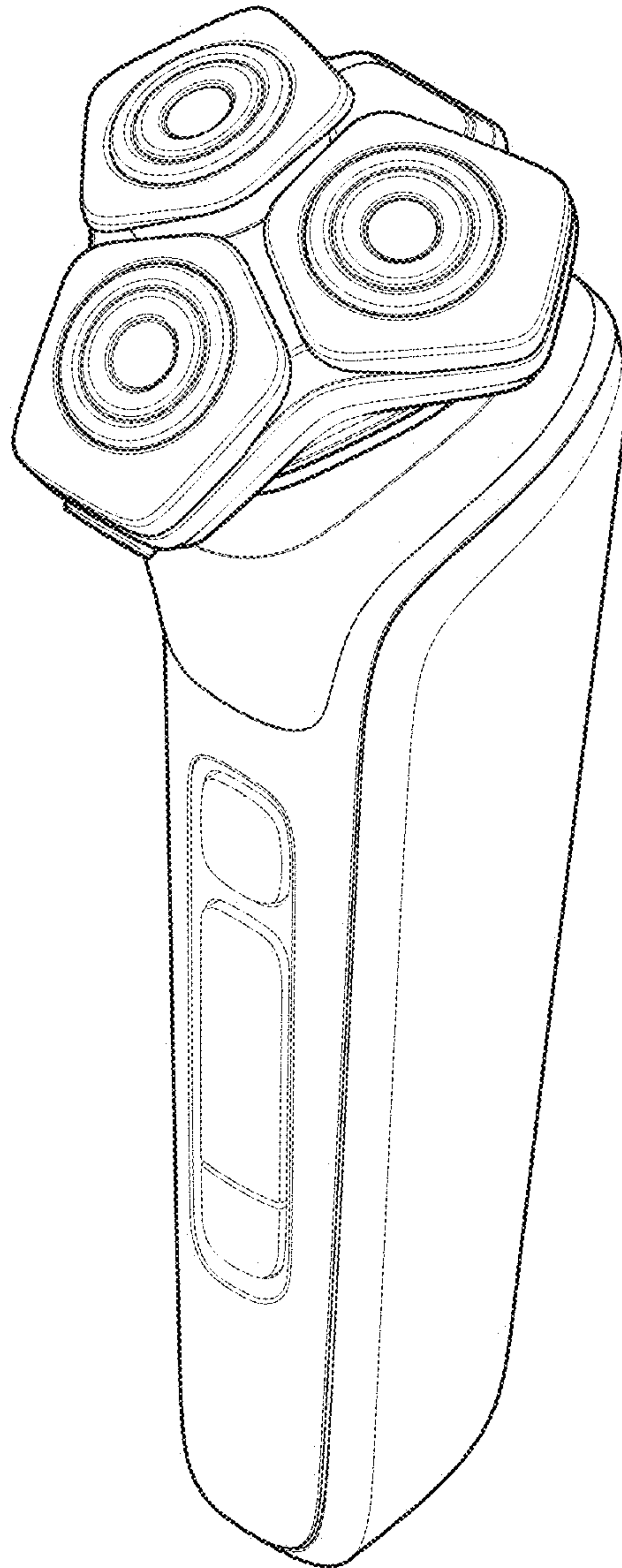


FIG. 1



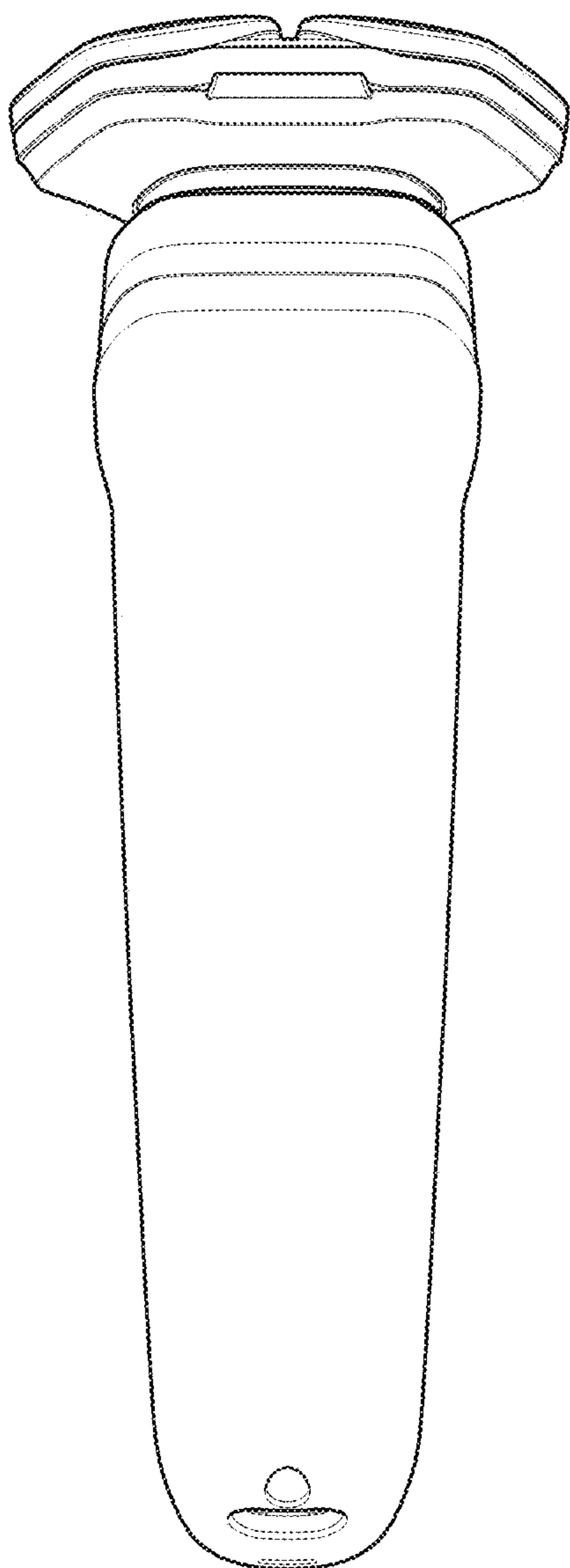


FIG. 2

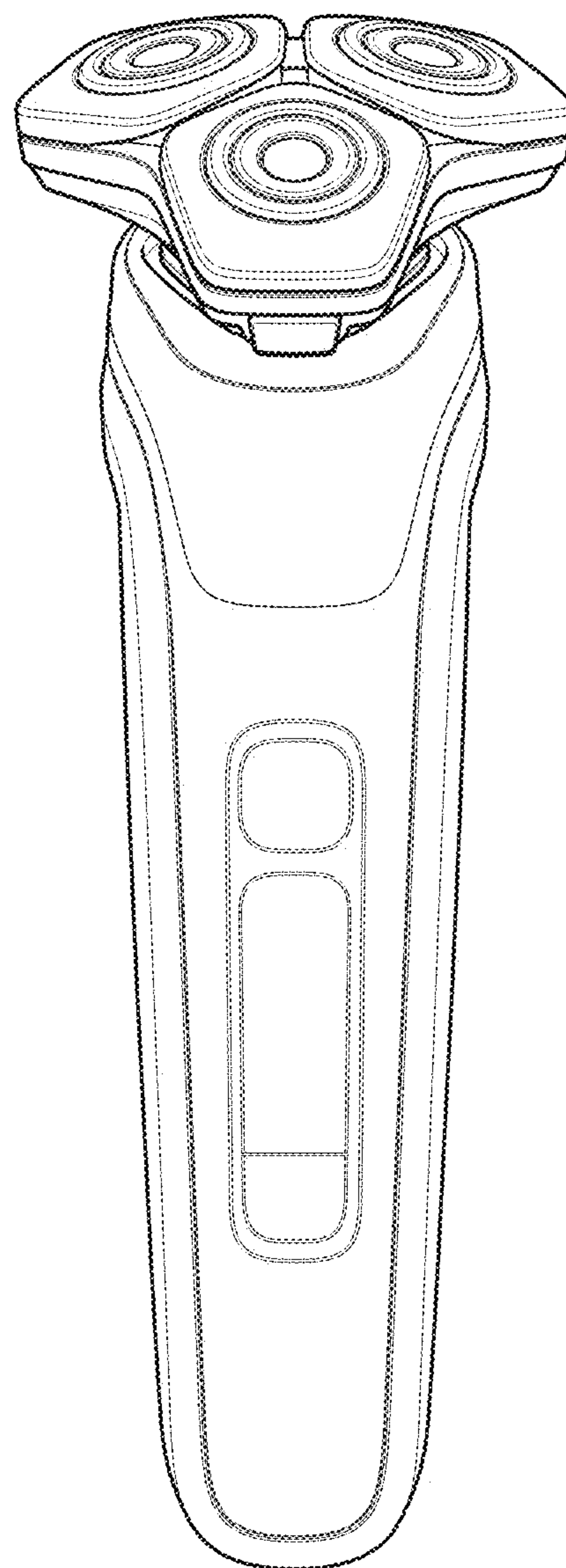


FIG. 3

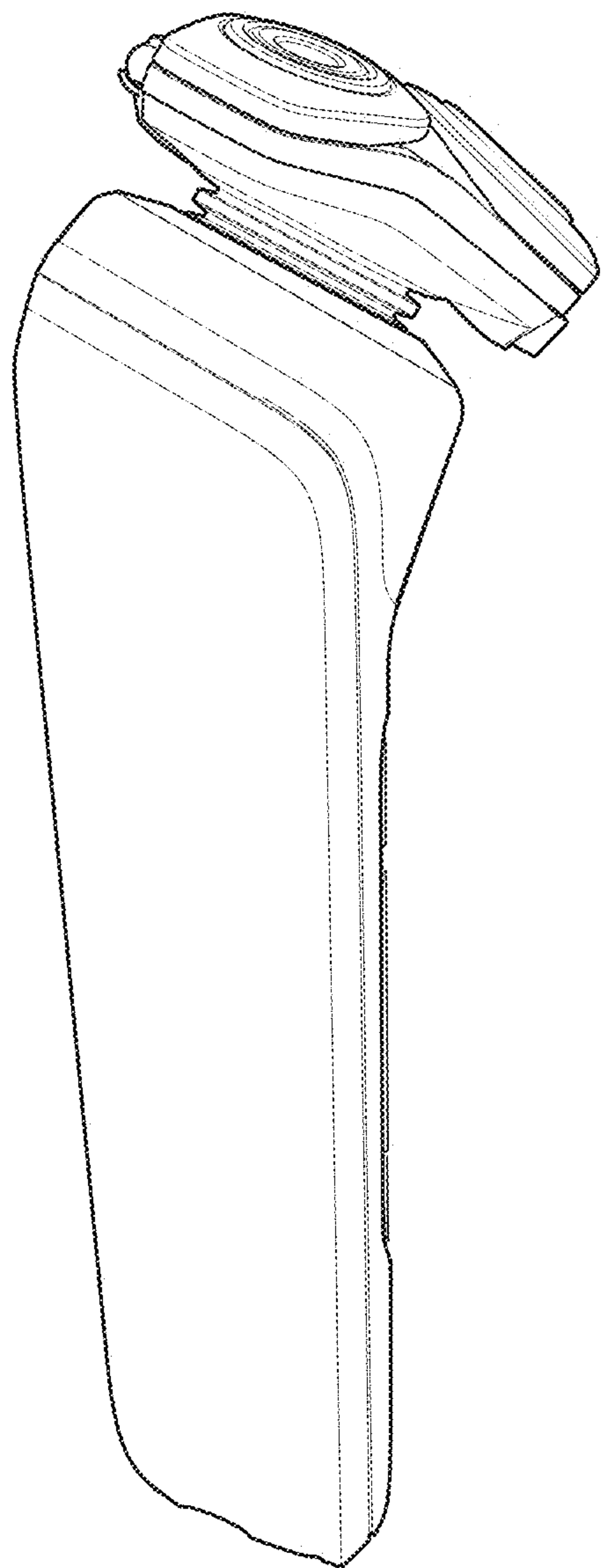


FIG. 4

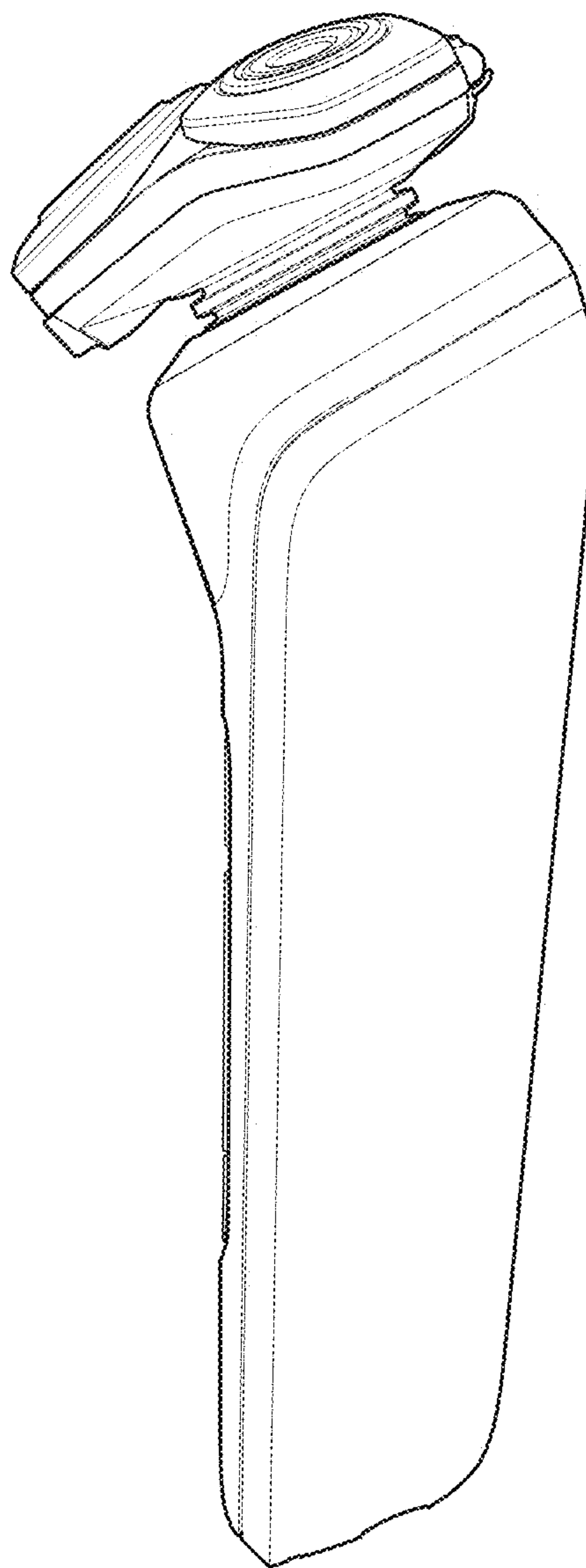


FIG. 5

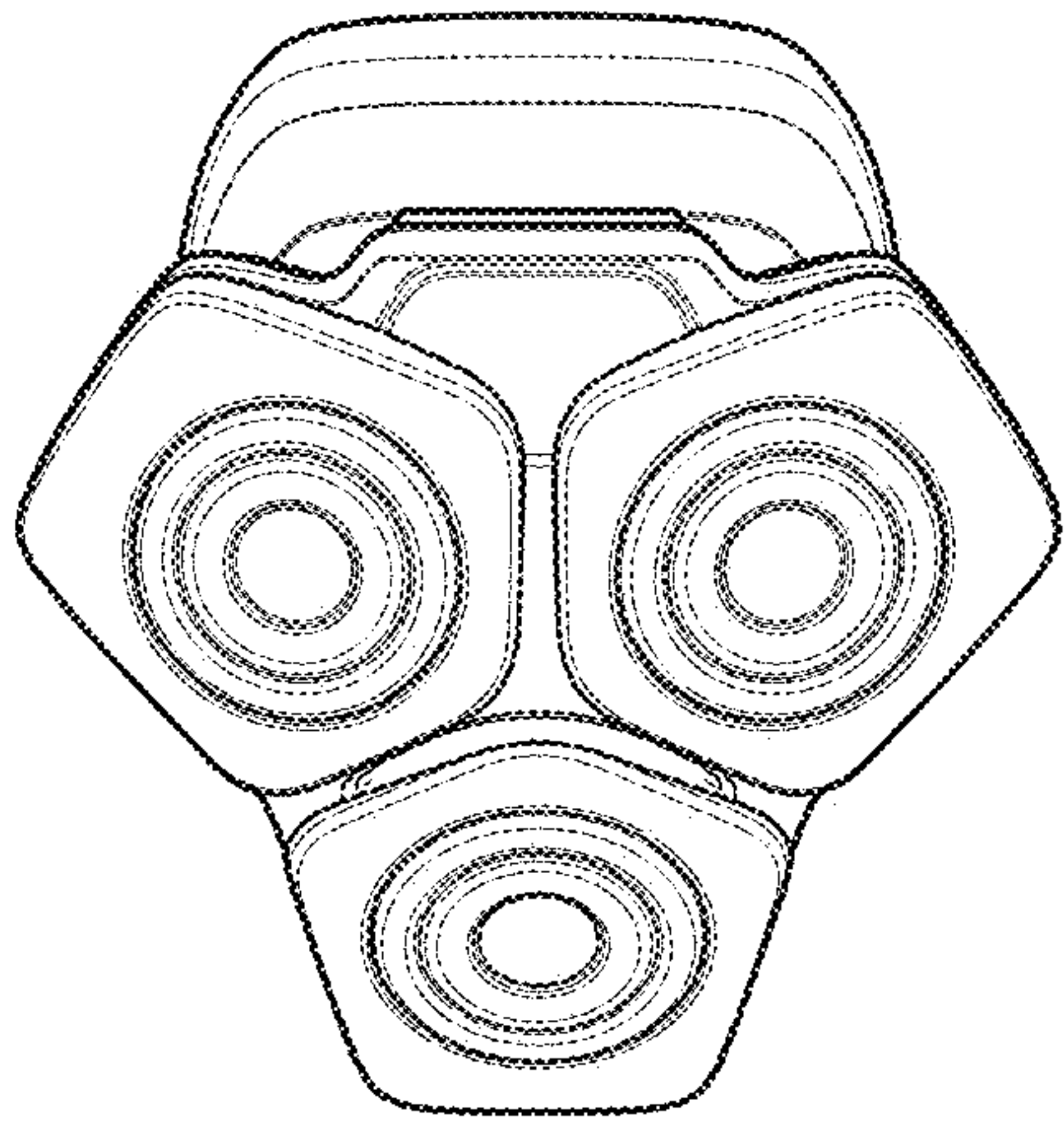


FIG. 6

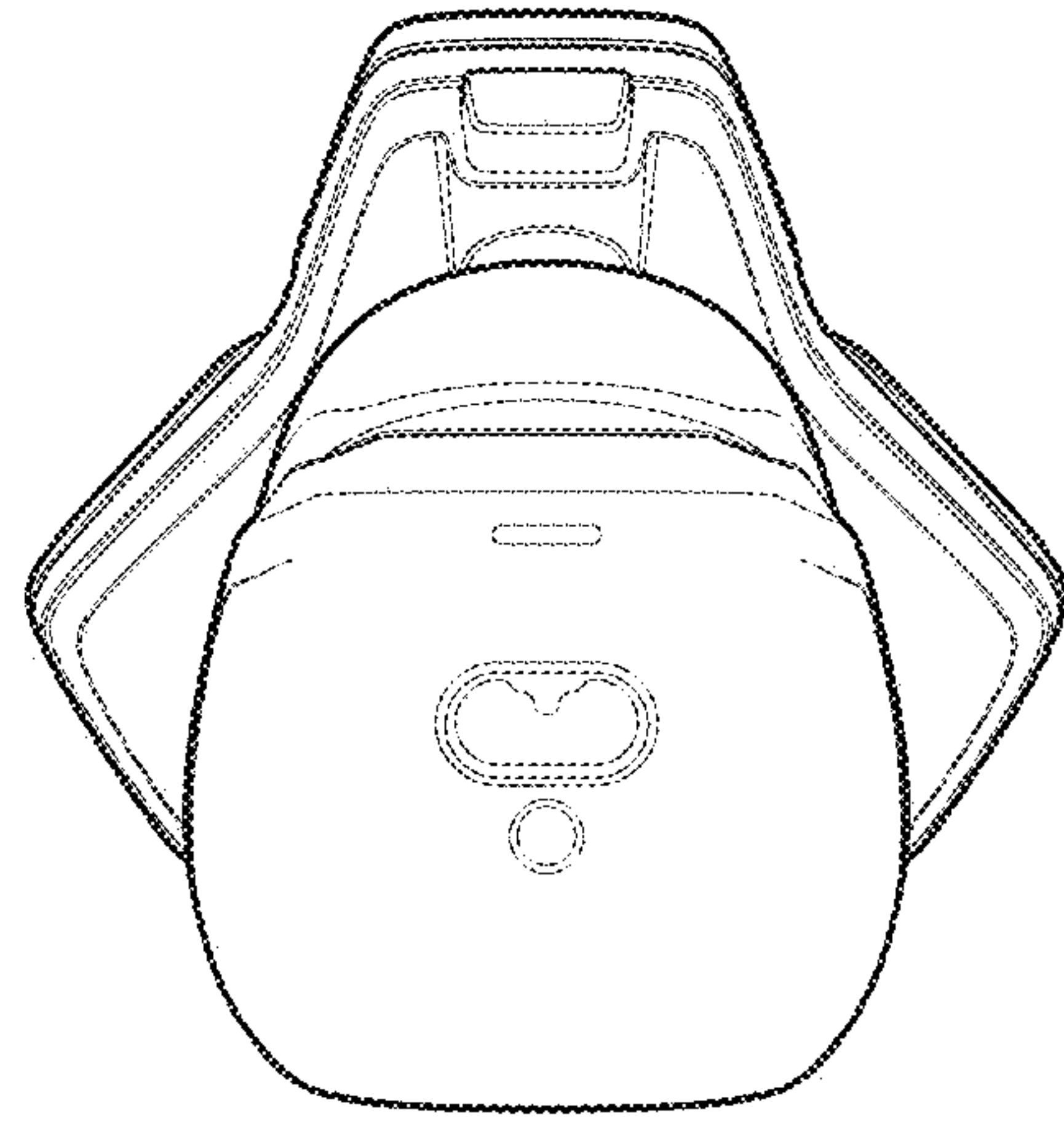


FIG. 7

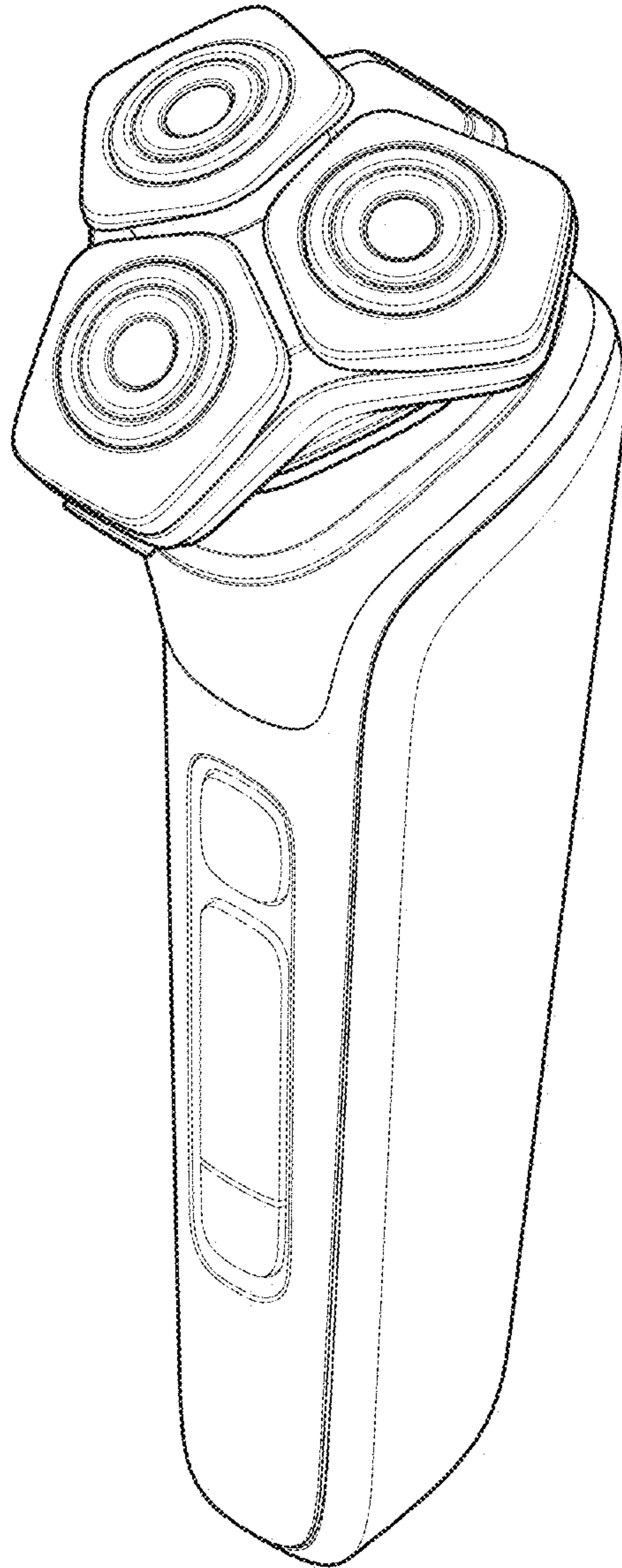


FIG. 8



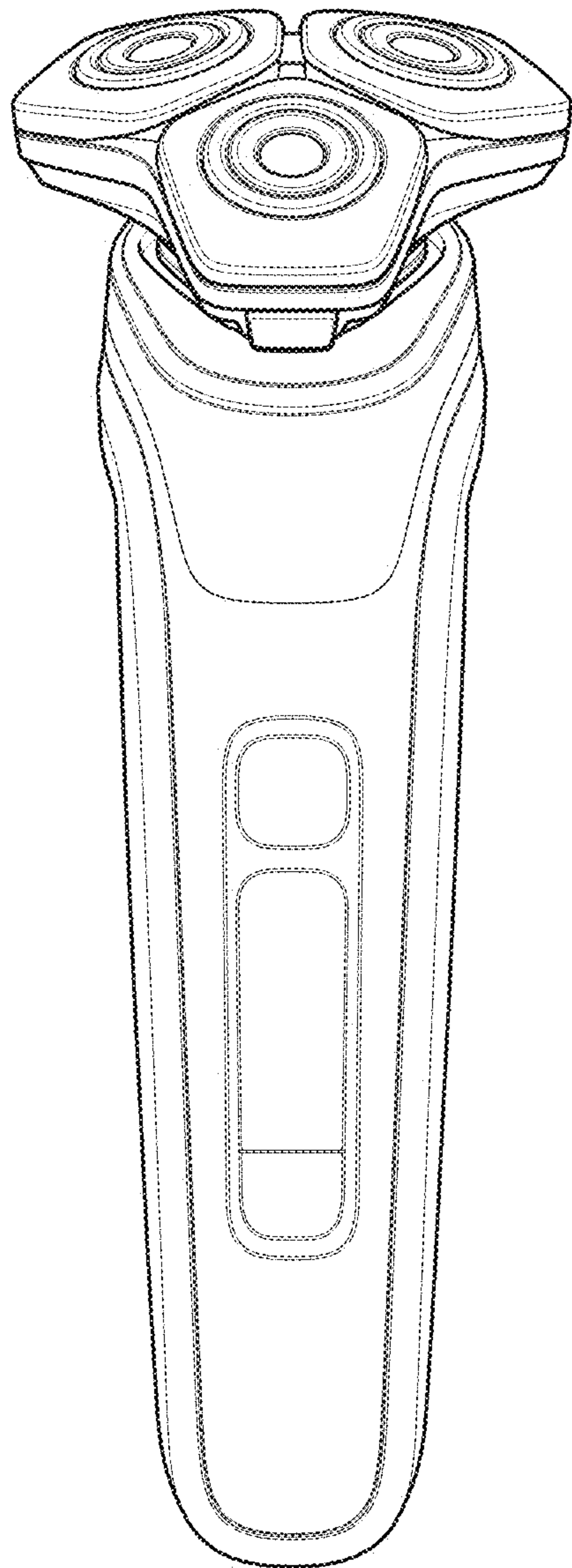


FIG. 9

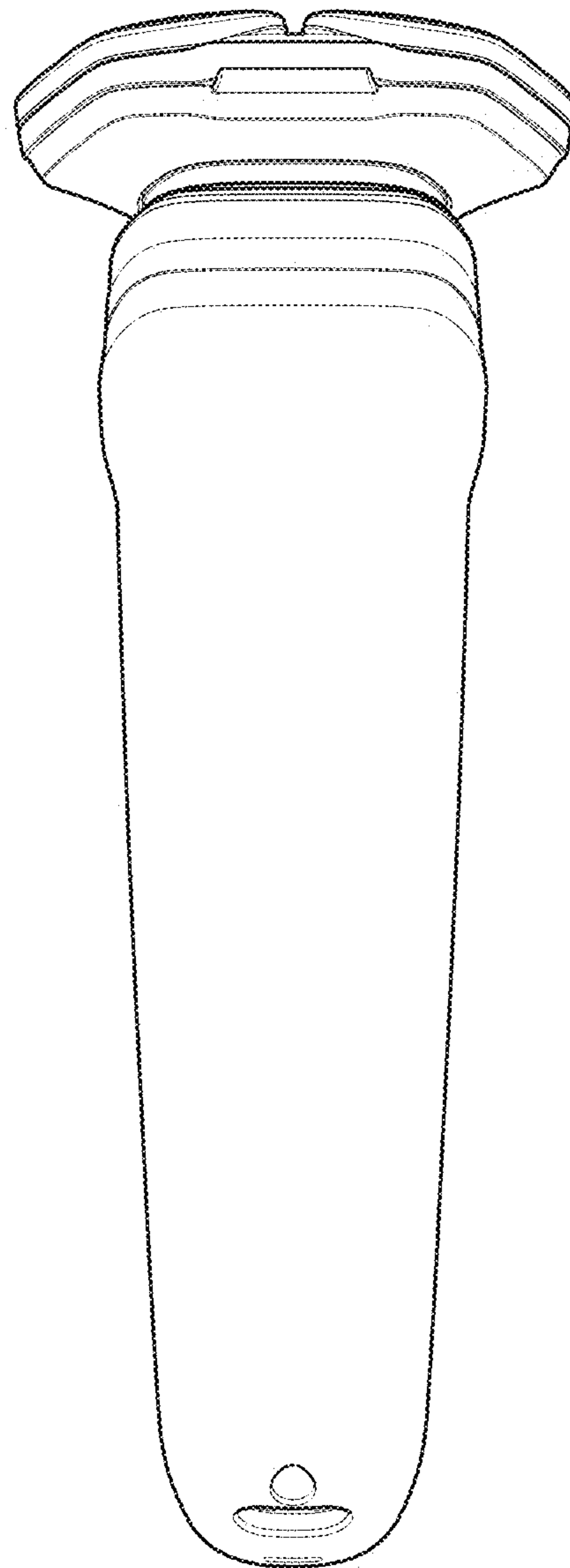


FIG. 10



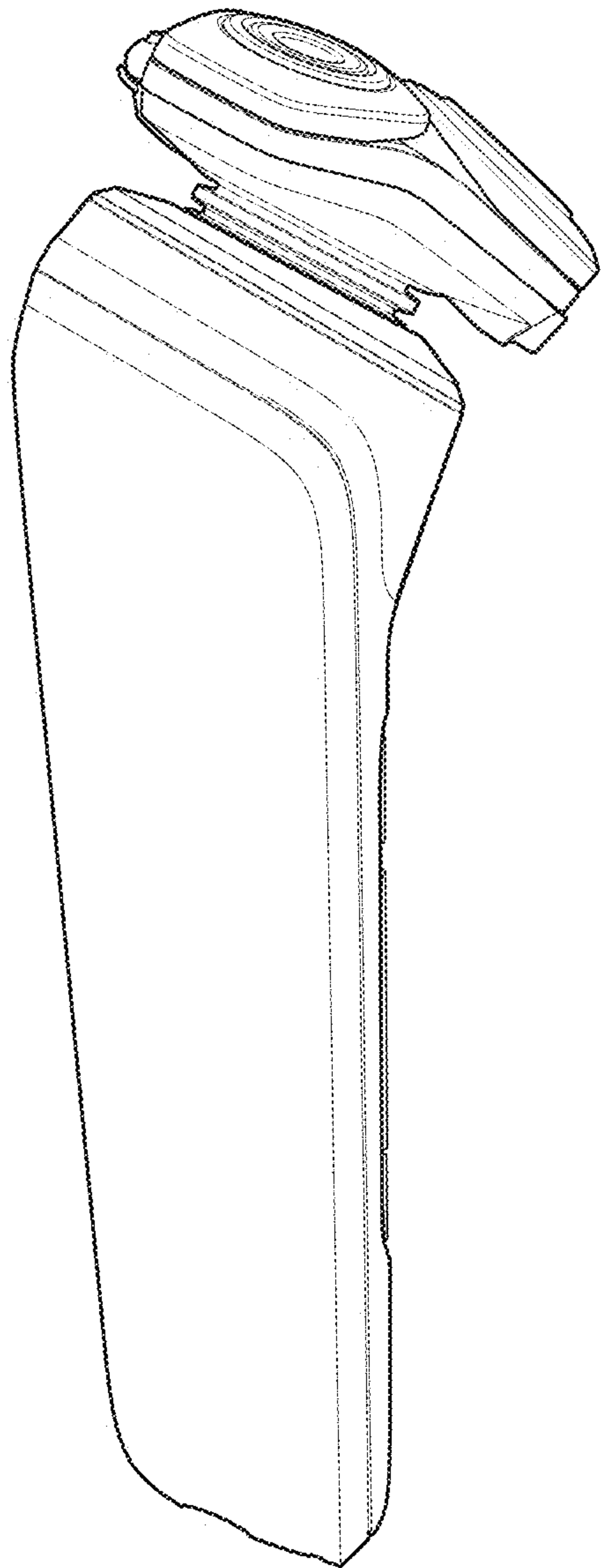


FIG. 11

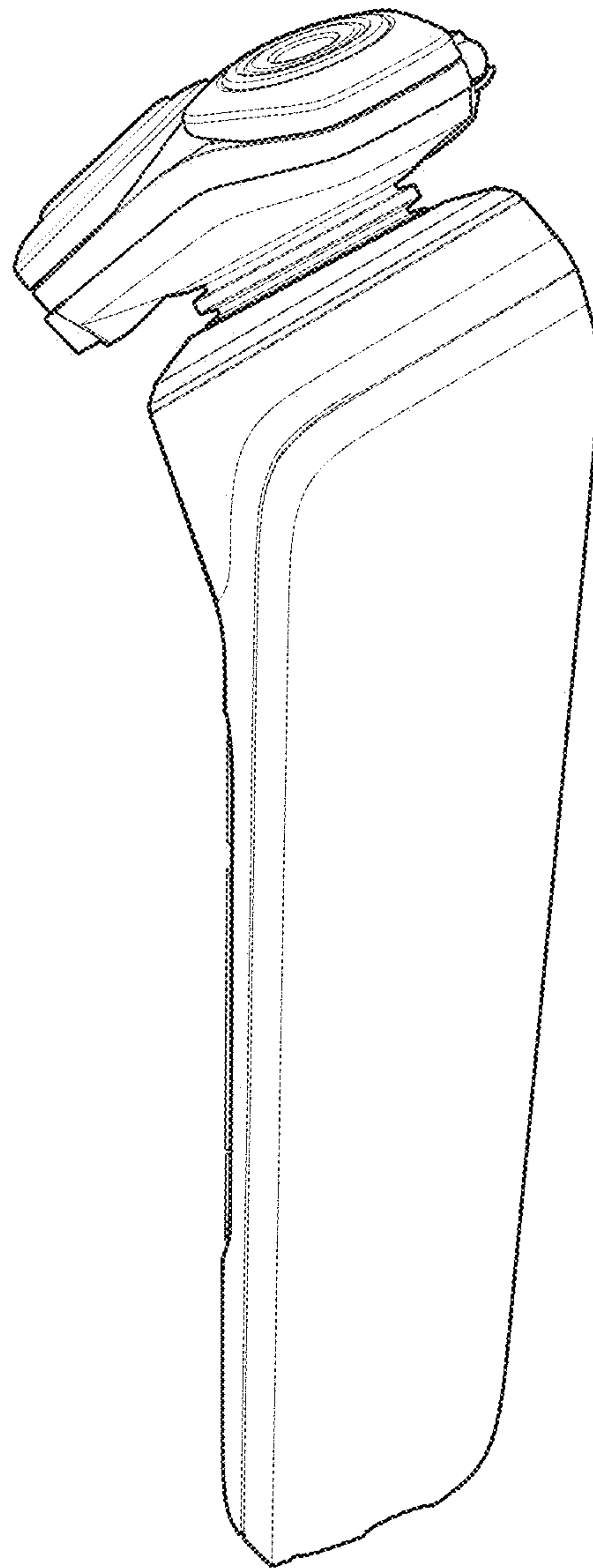


FIG. 12

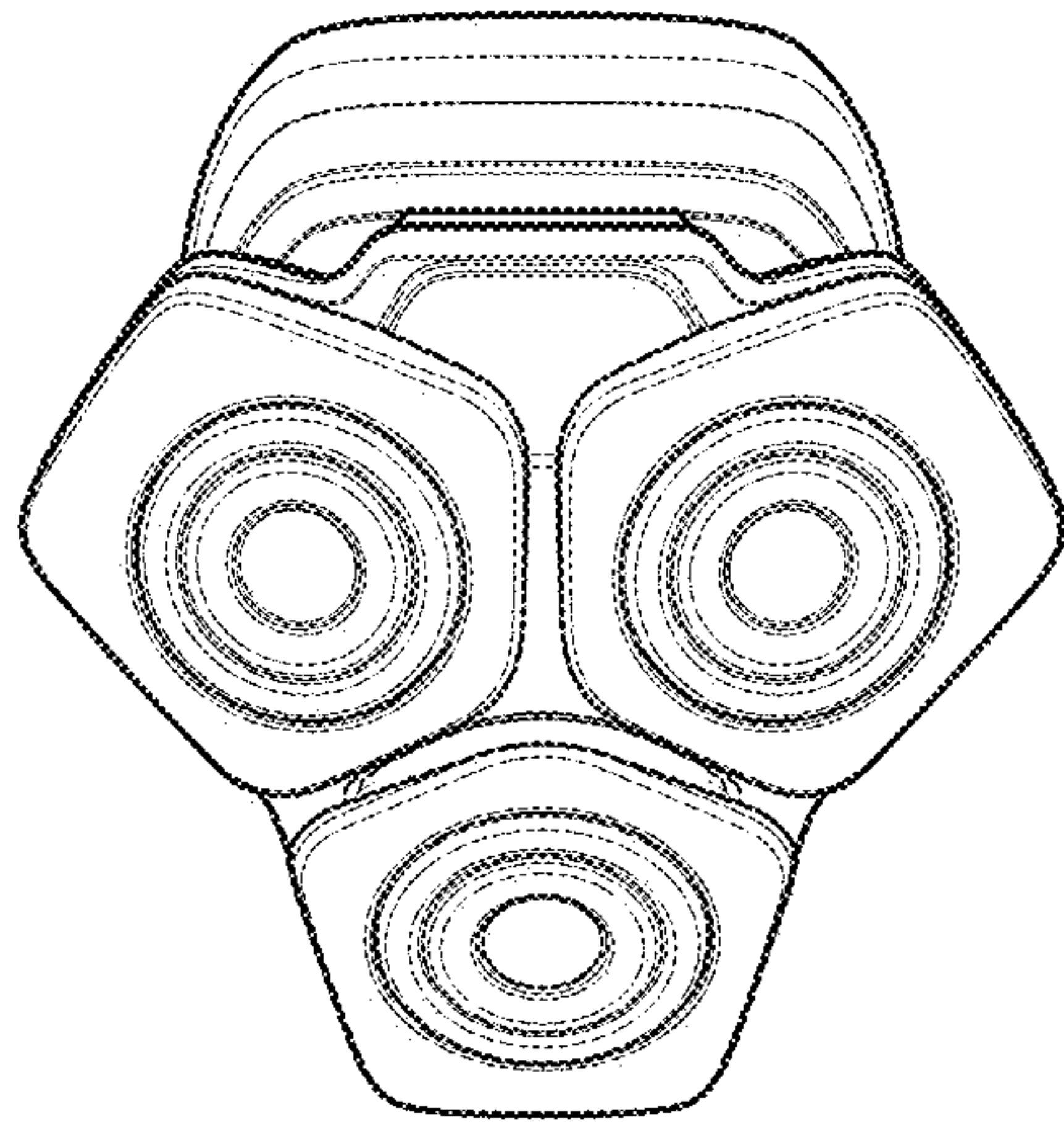


FIG. 13

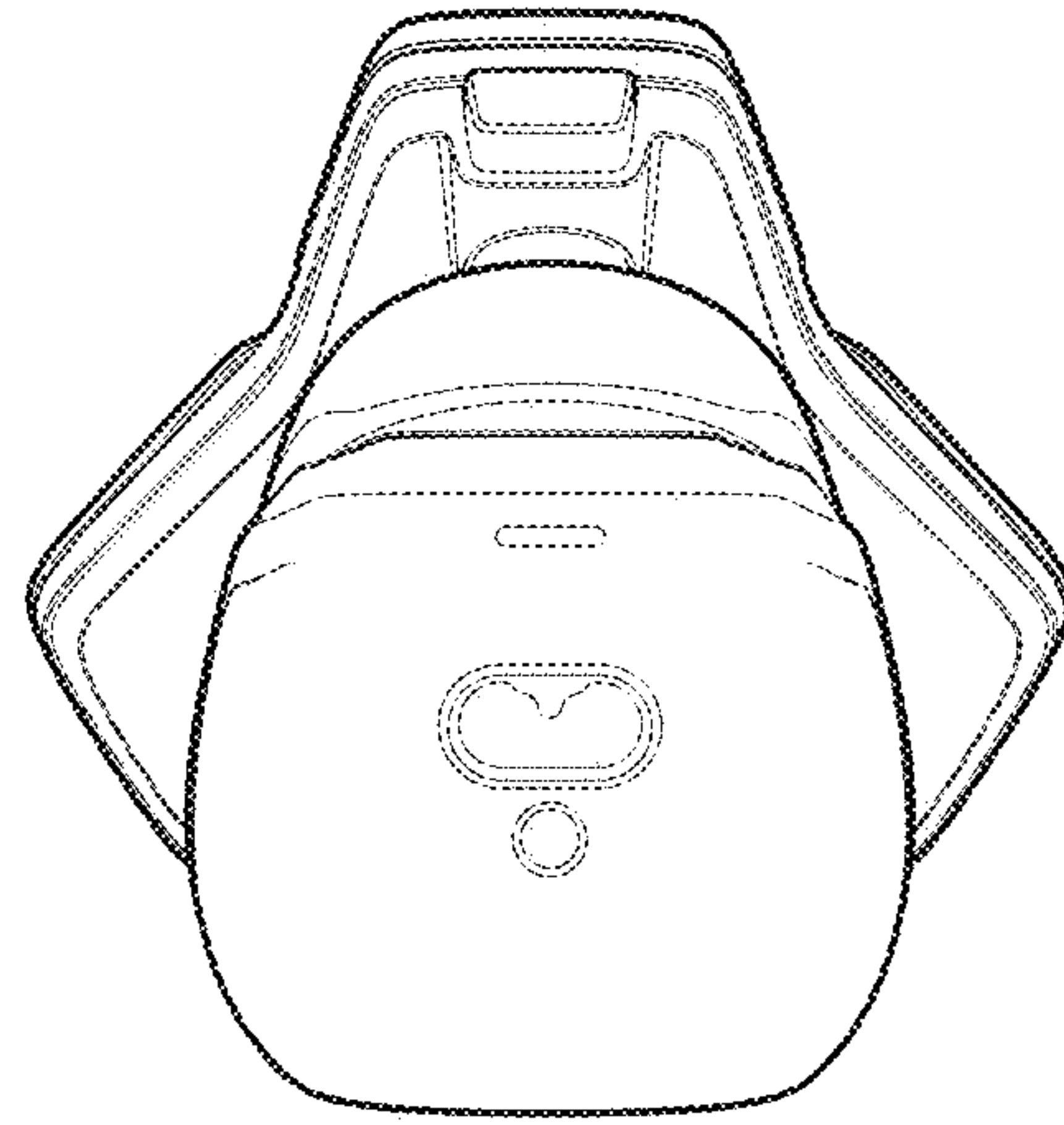


FIG. 14

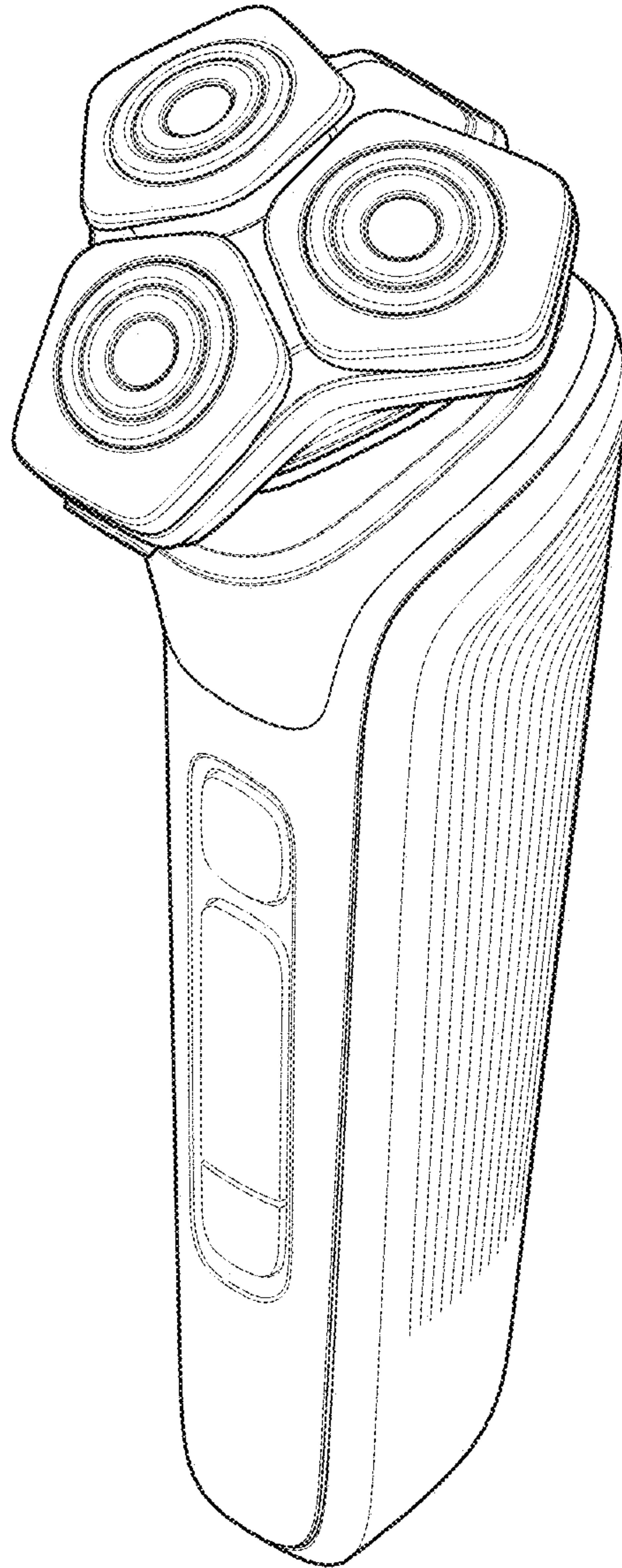


FIG. 15

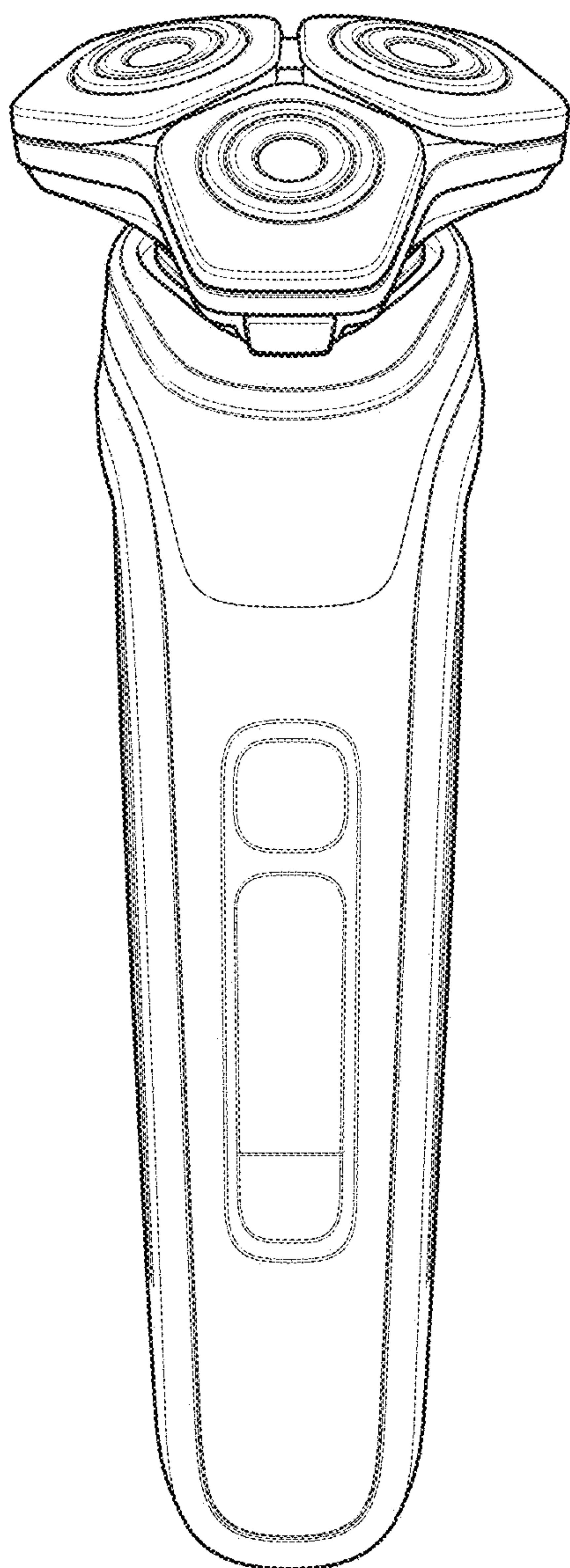


FIG. 16

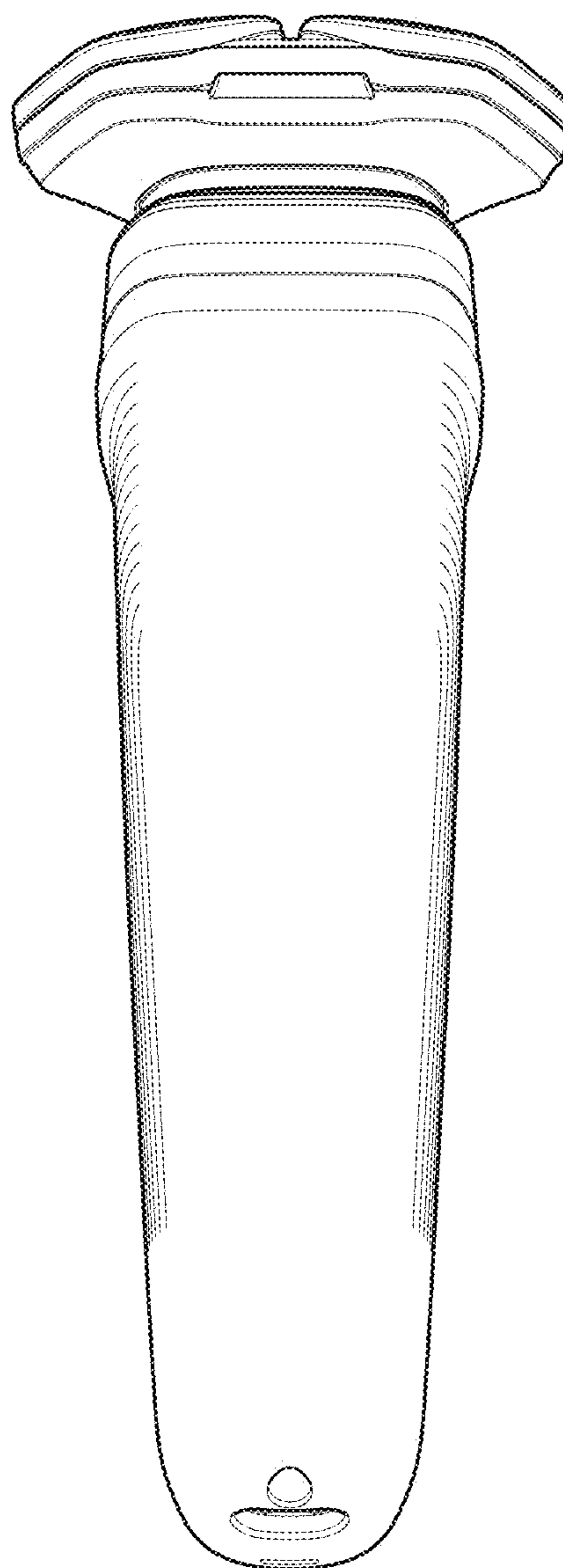


FIG. 17



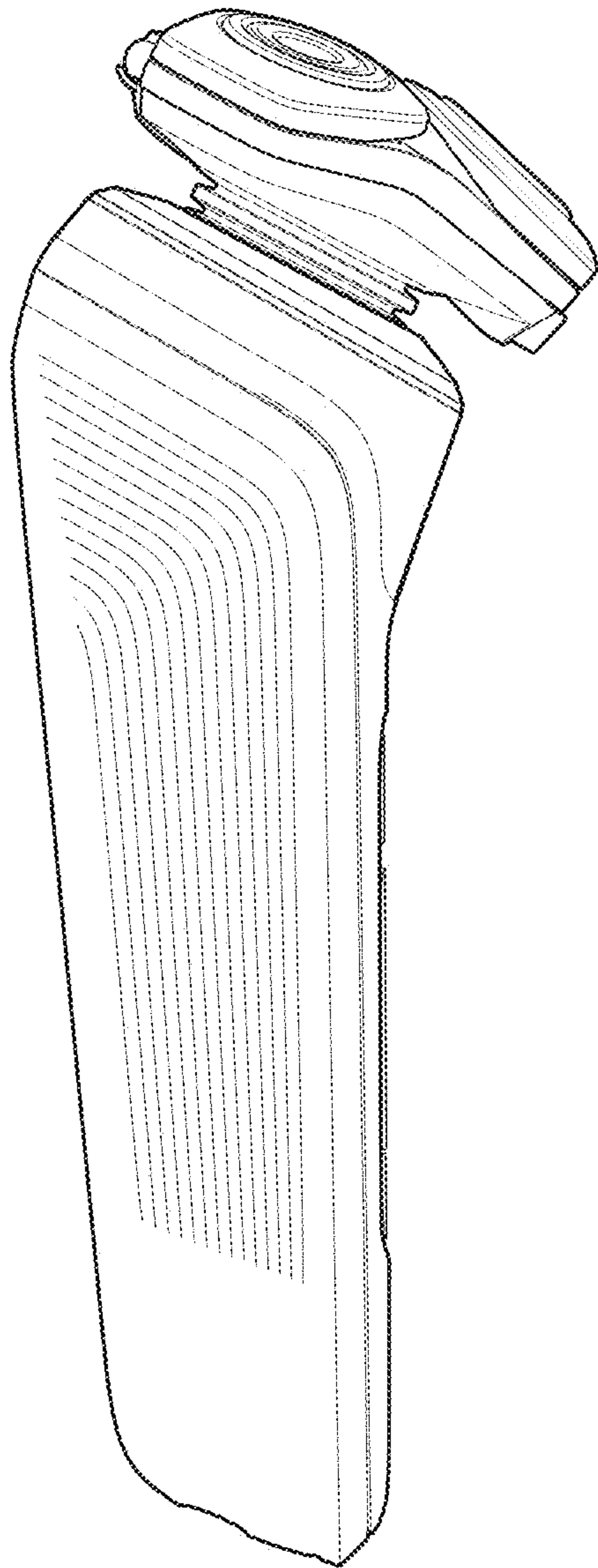


FIG. 18

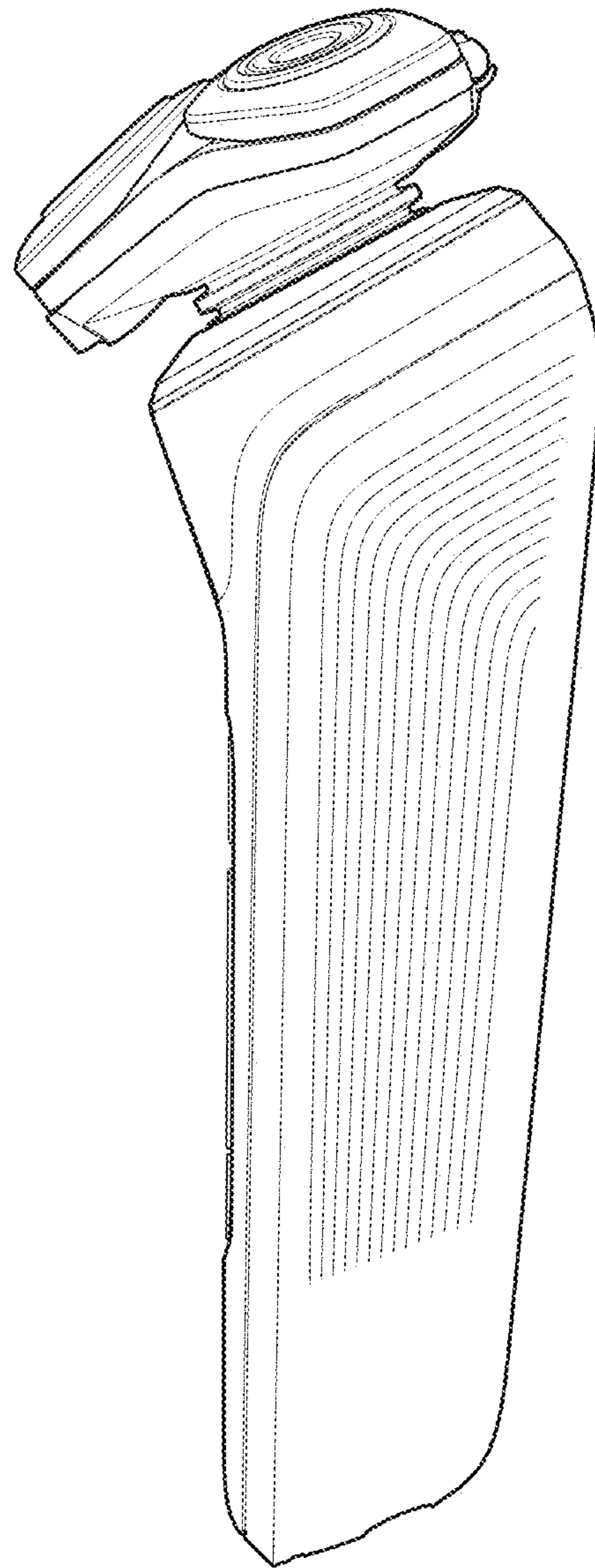


FIG. 19

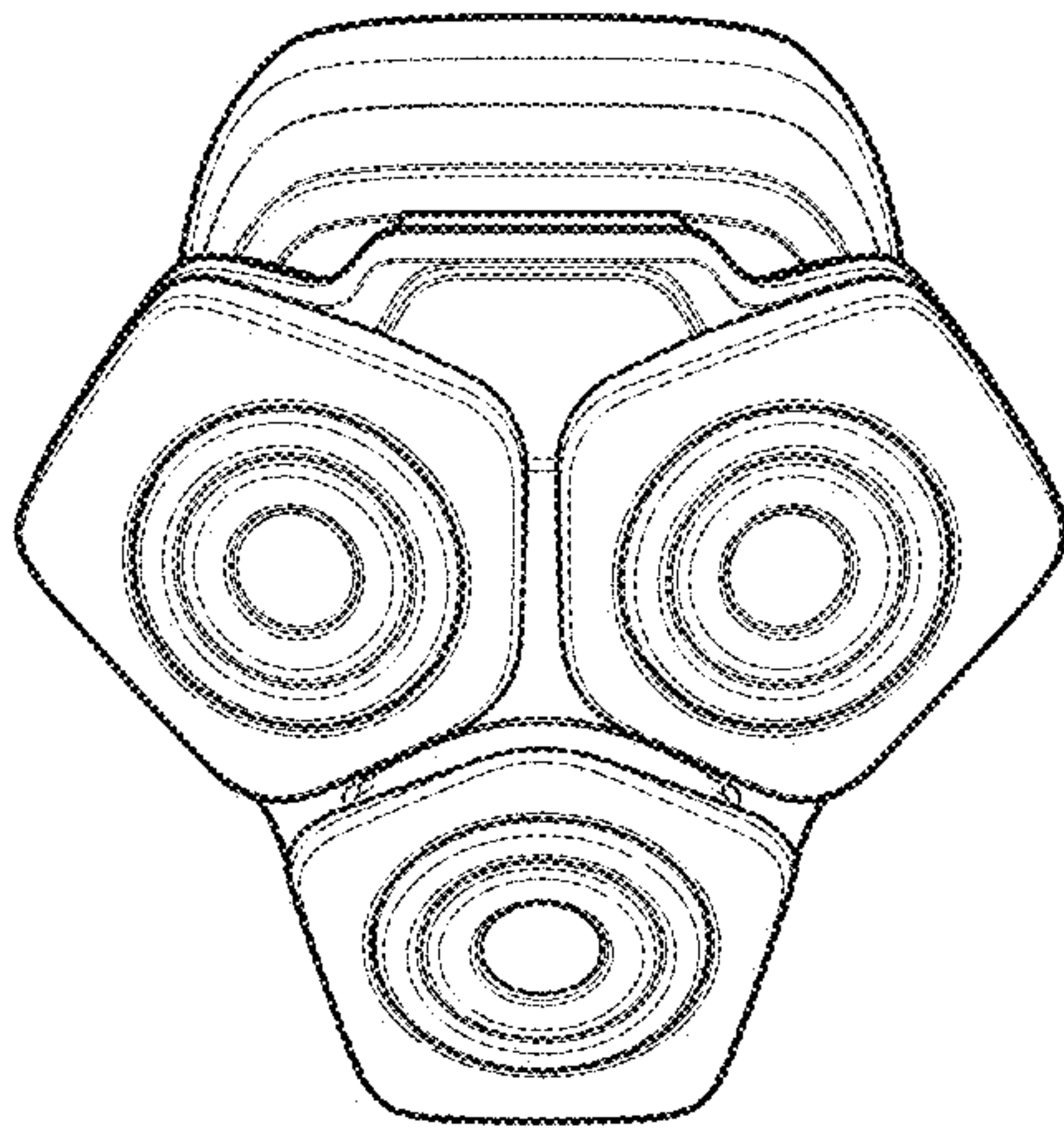


FIG. 20

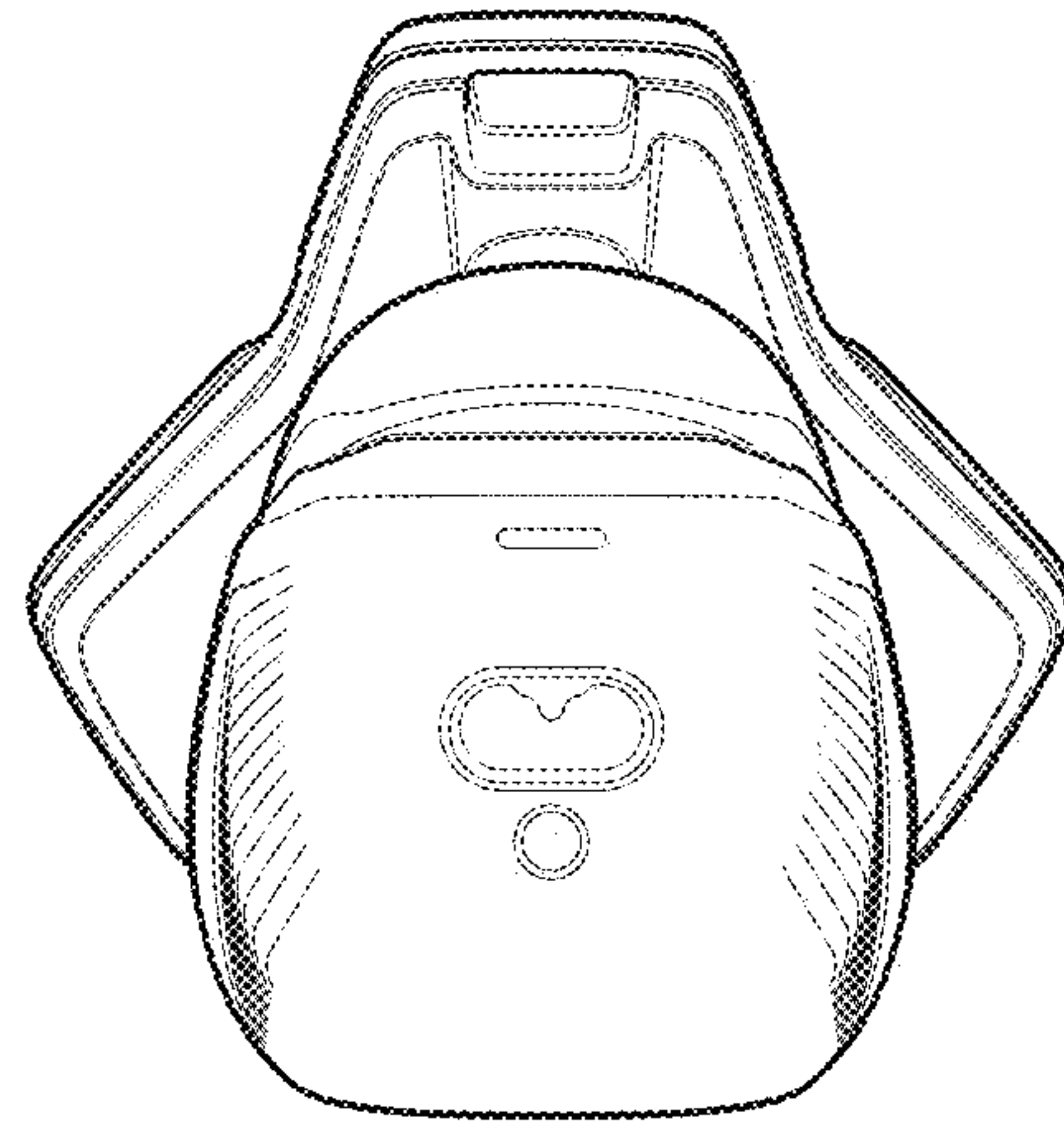


FIG. 21

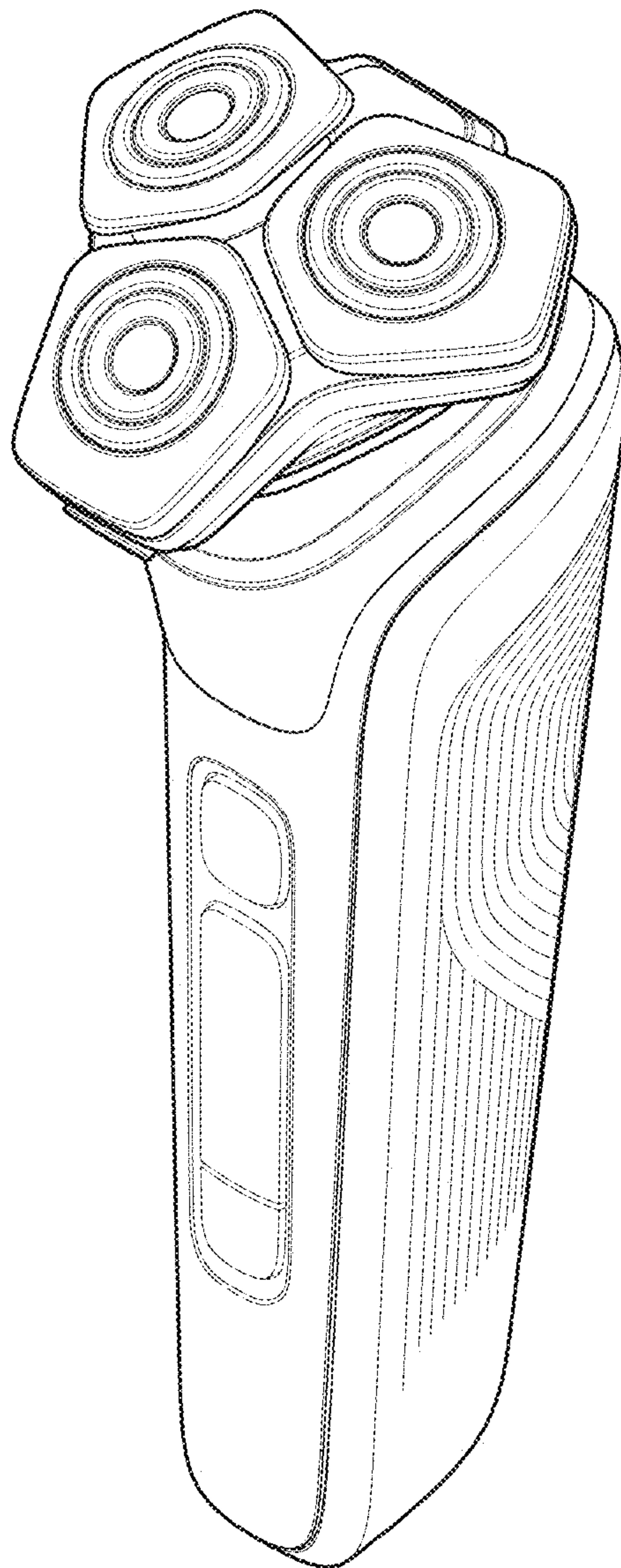


FIG. 22

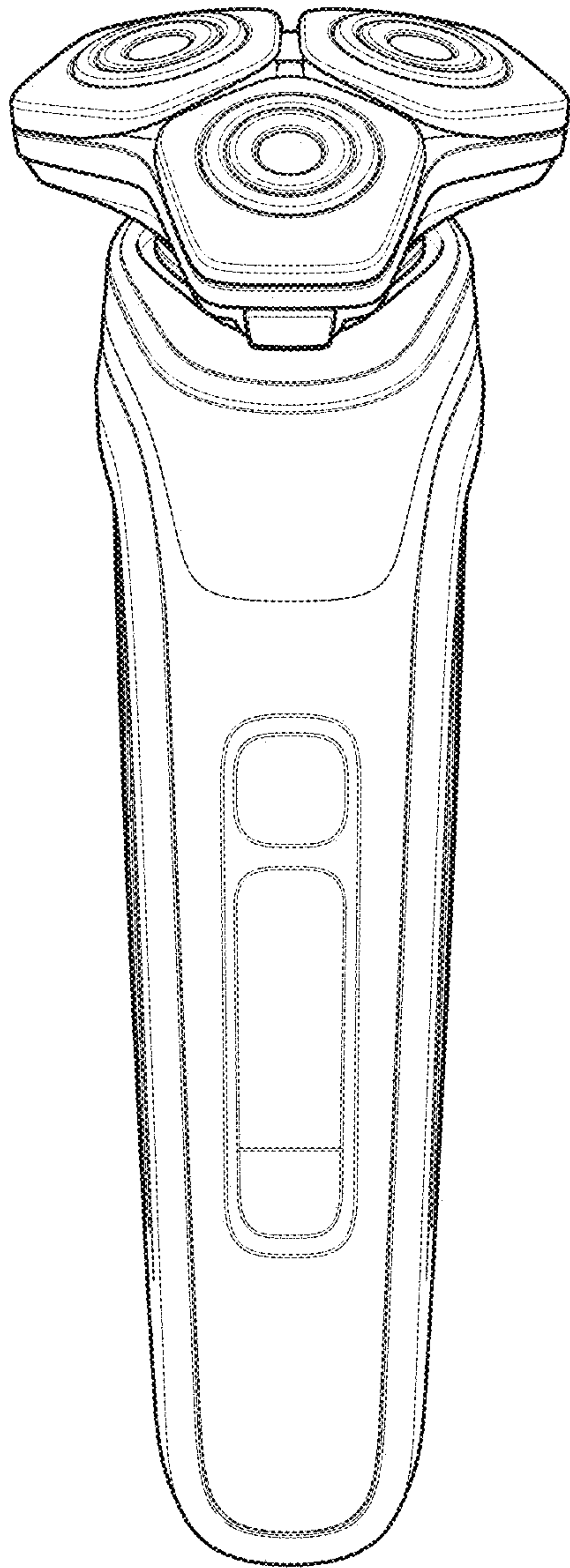


FIG. 23

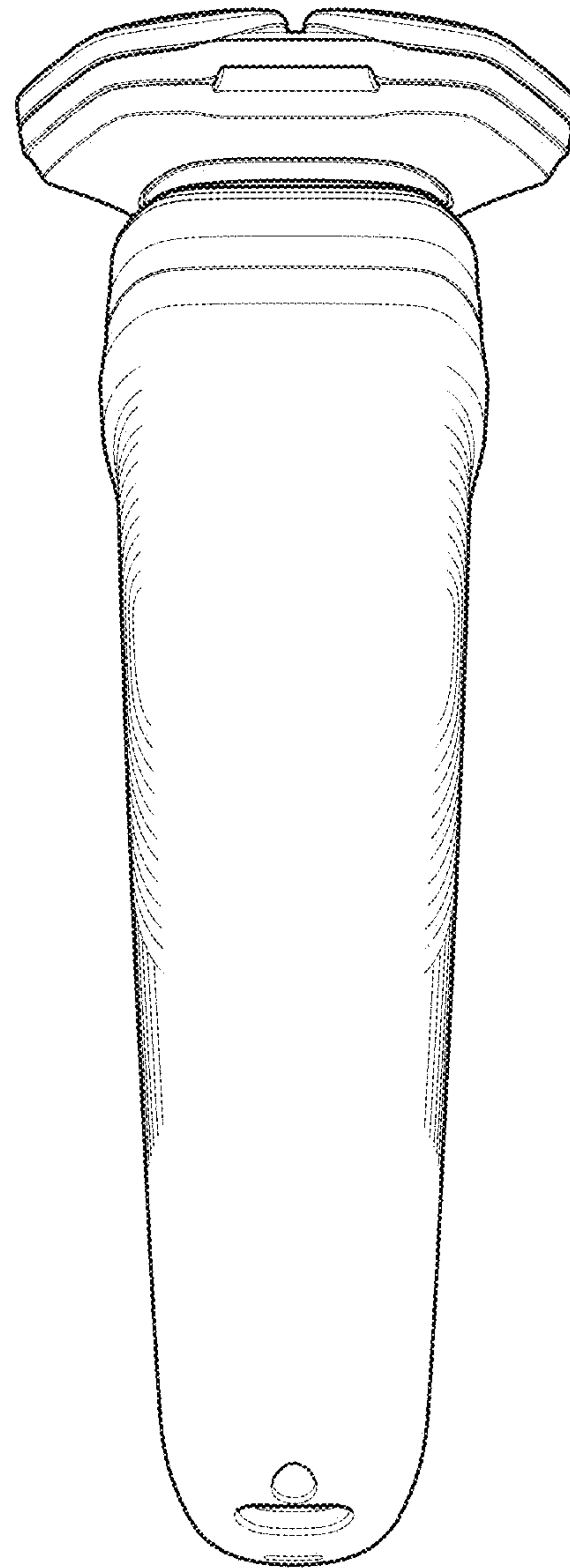


FIG. 24



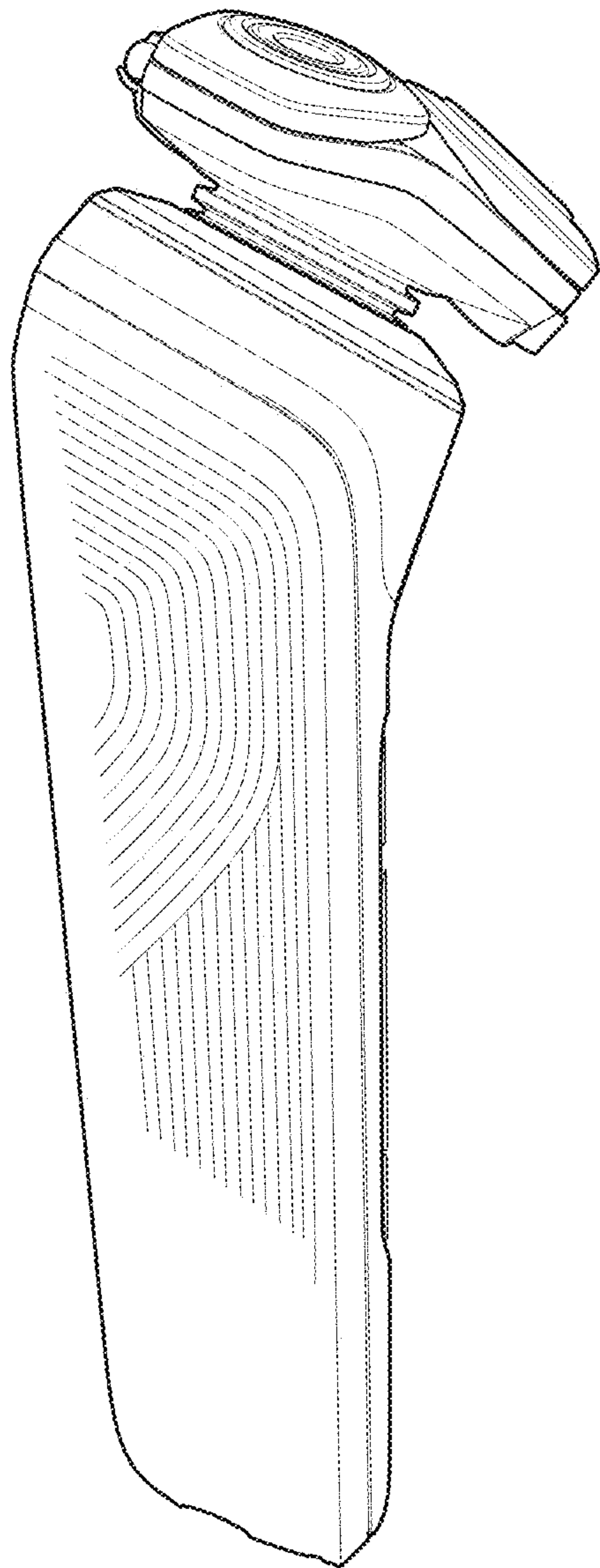


FIG. 25

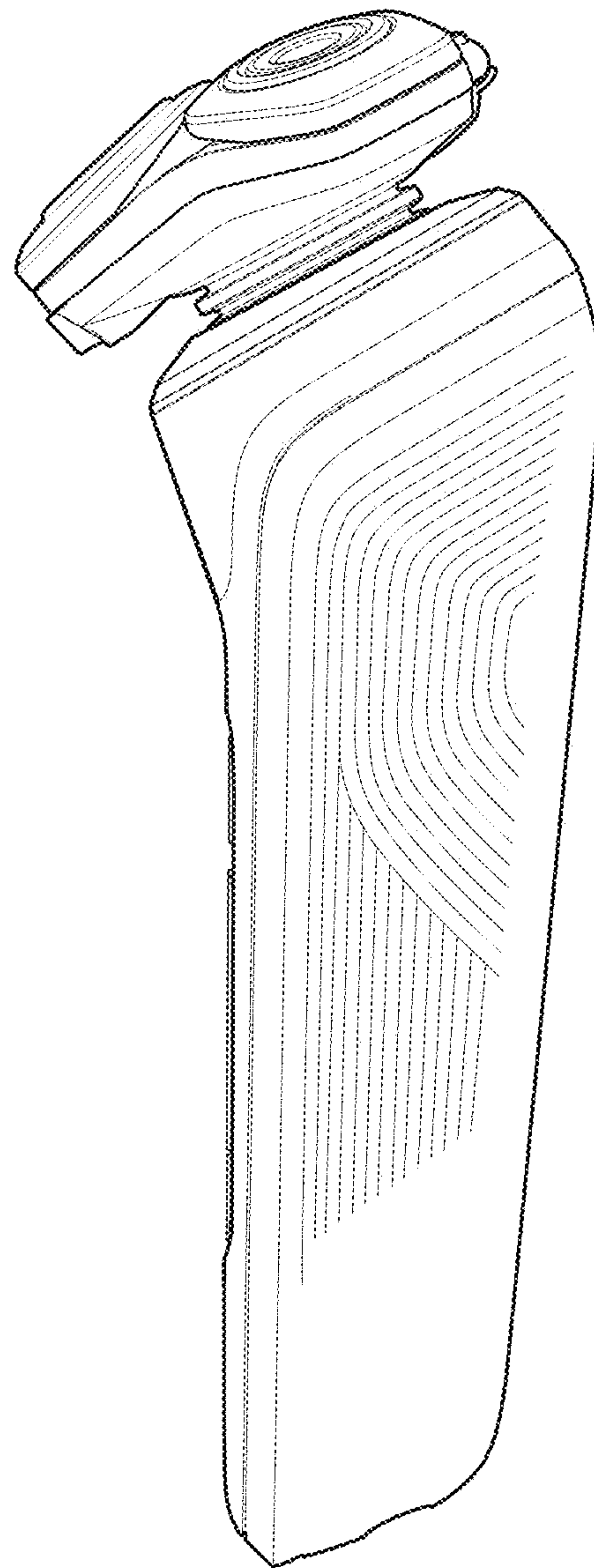


FIG. 26

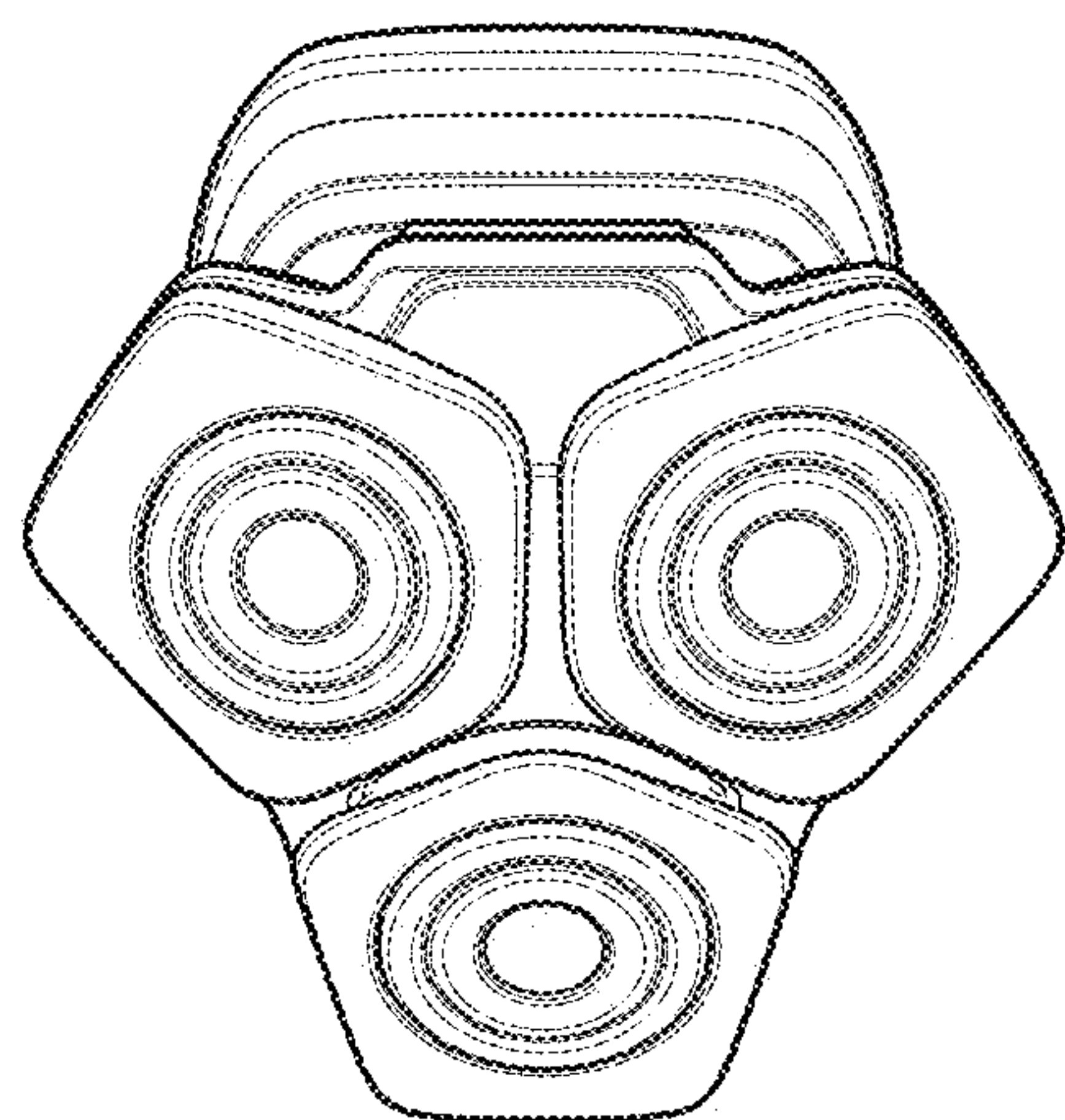


FIG. 27

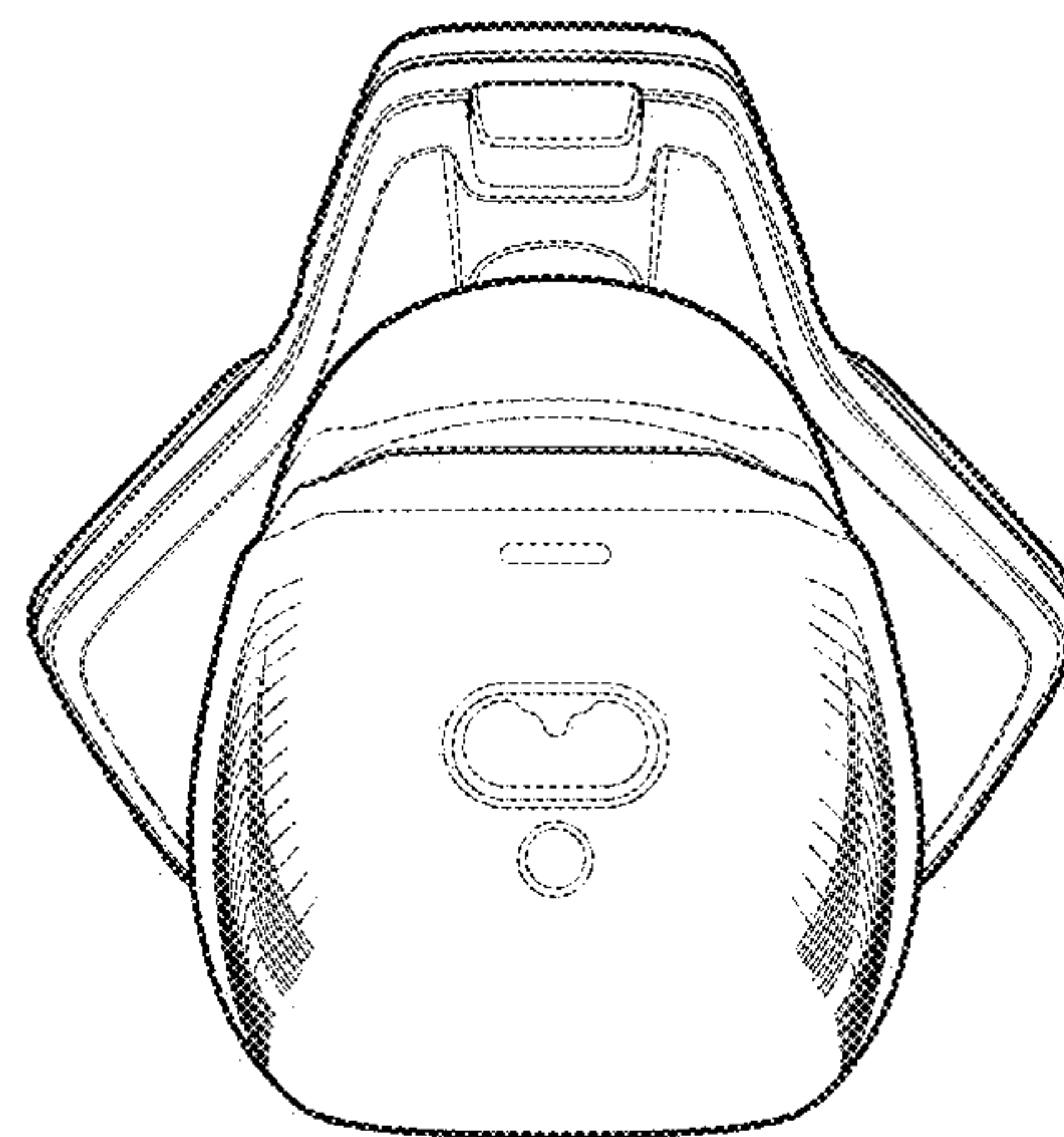


FIG. 28

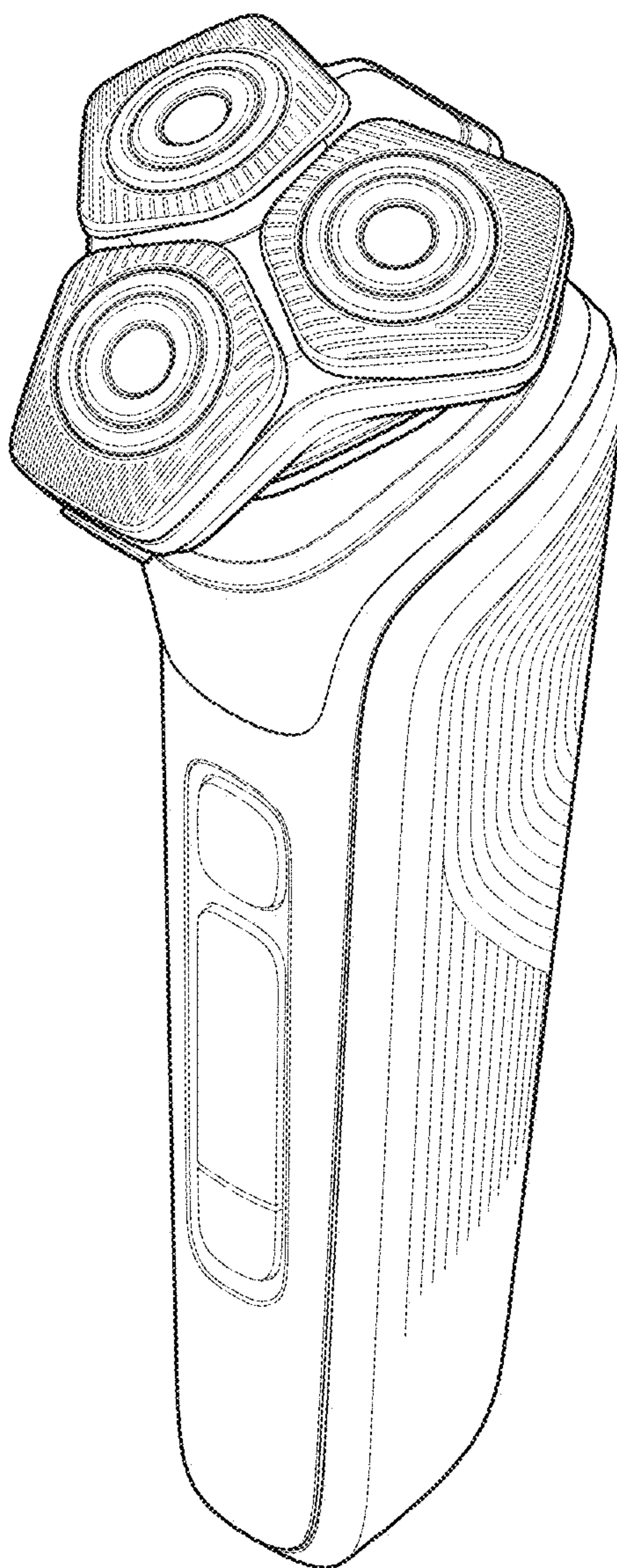


FIG. 29



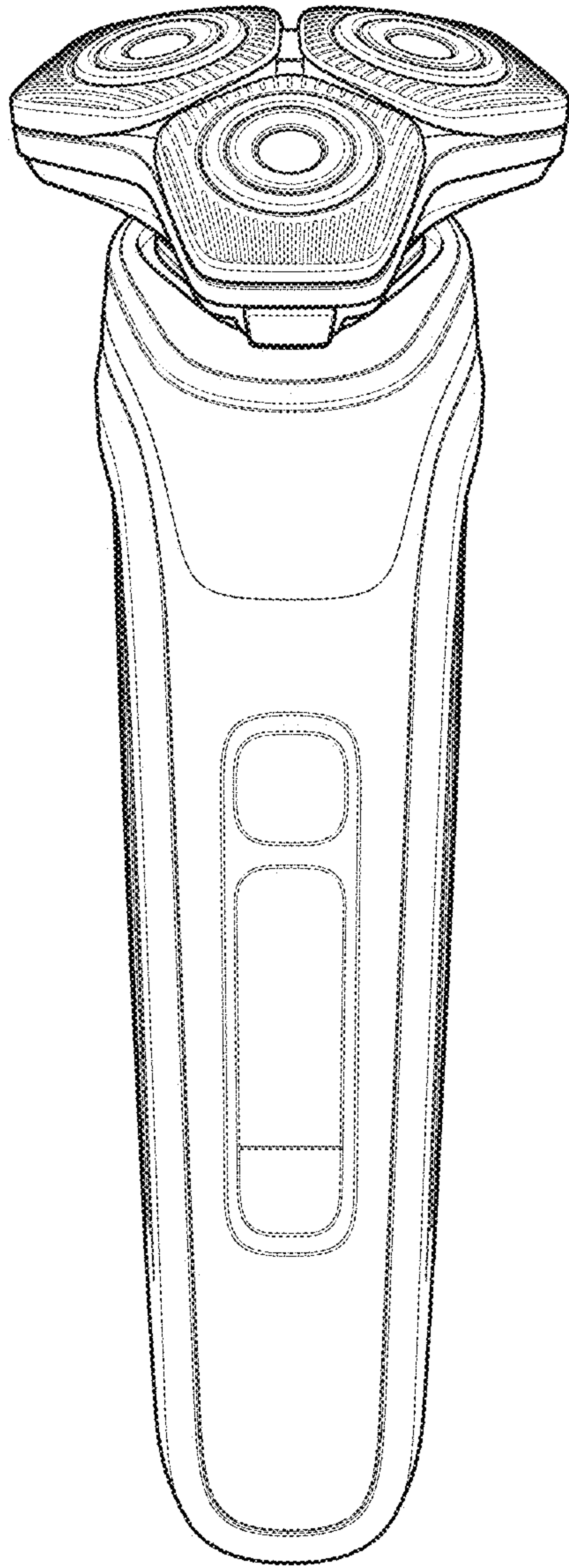


FIG. 30

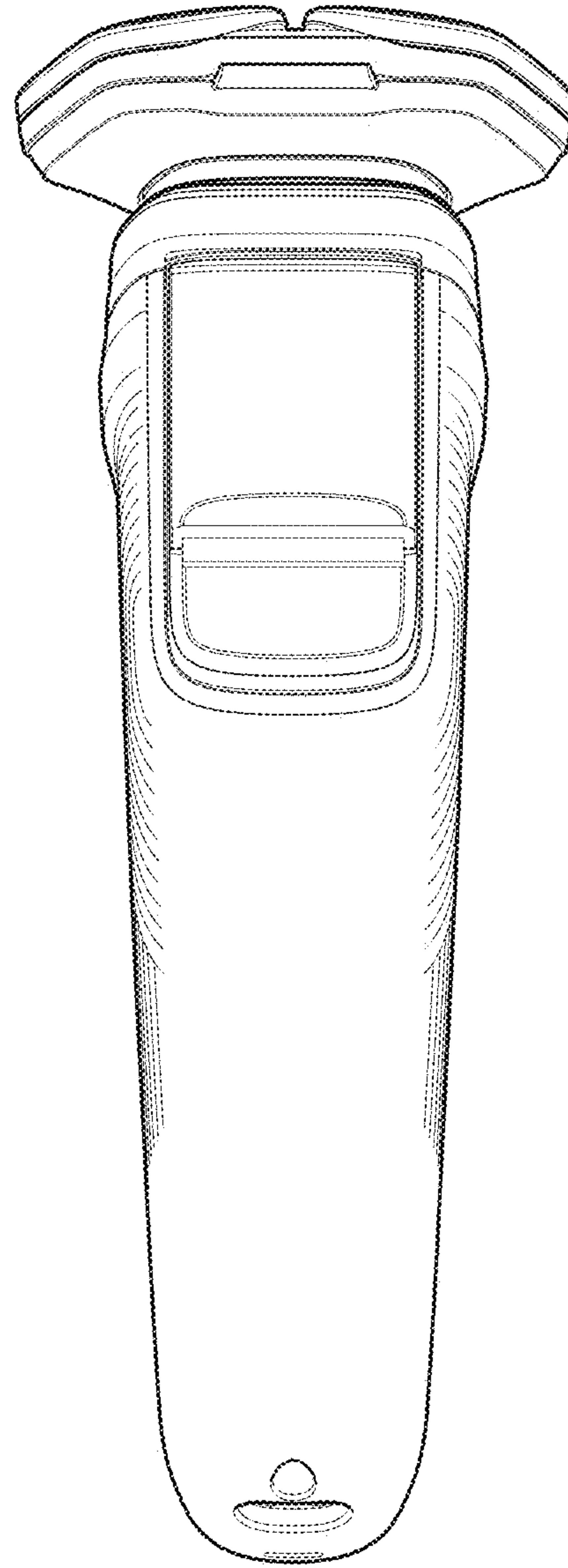


FIG. 31



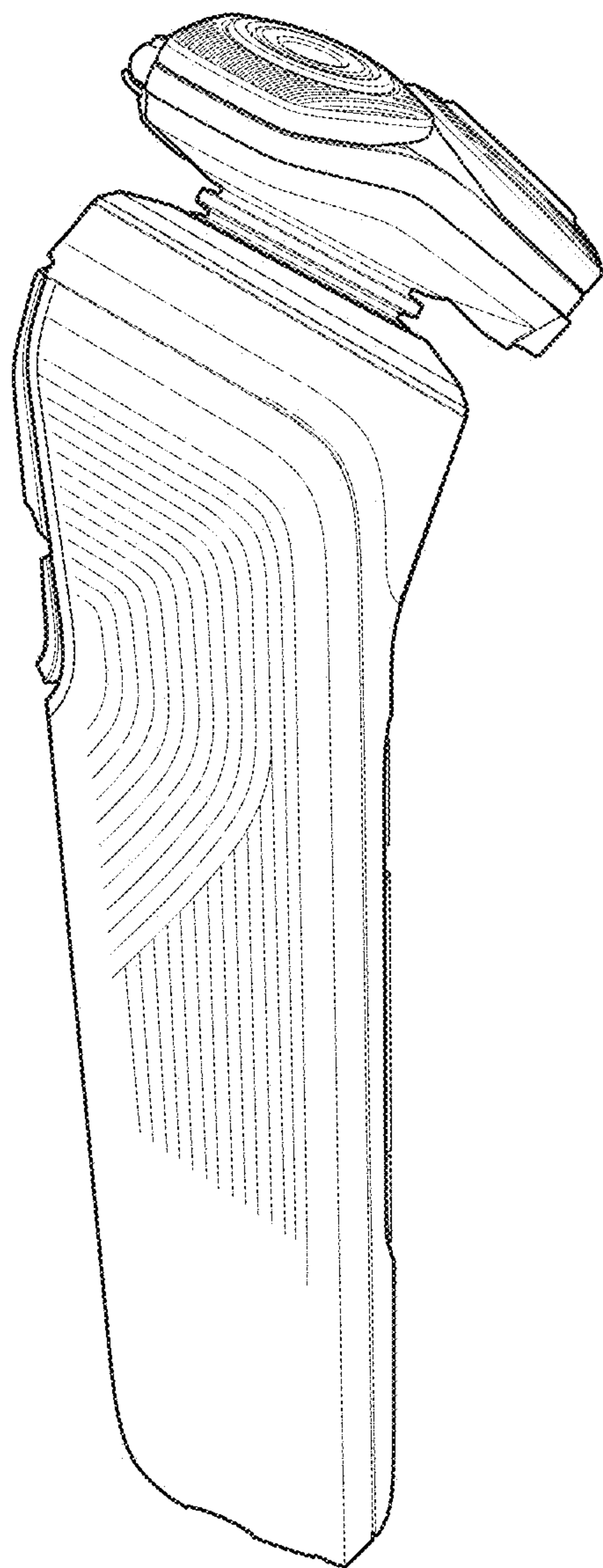


FIG. 32

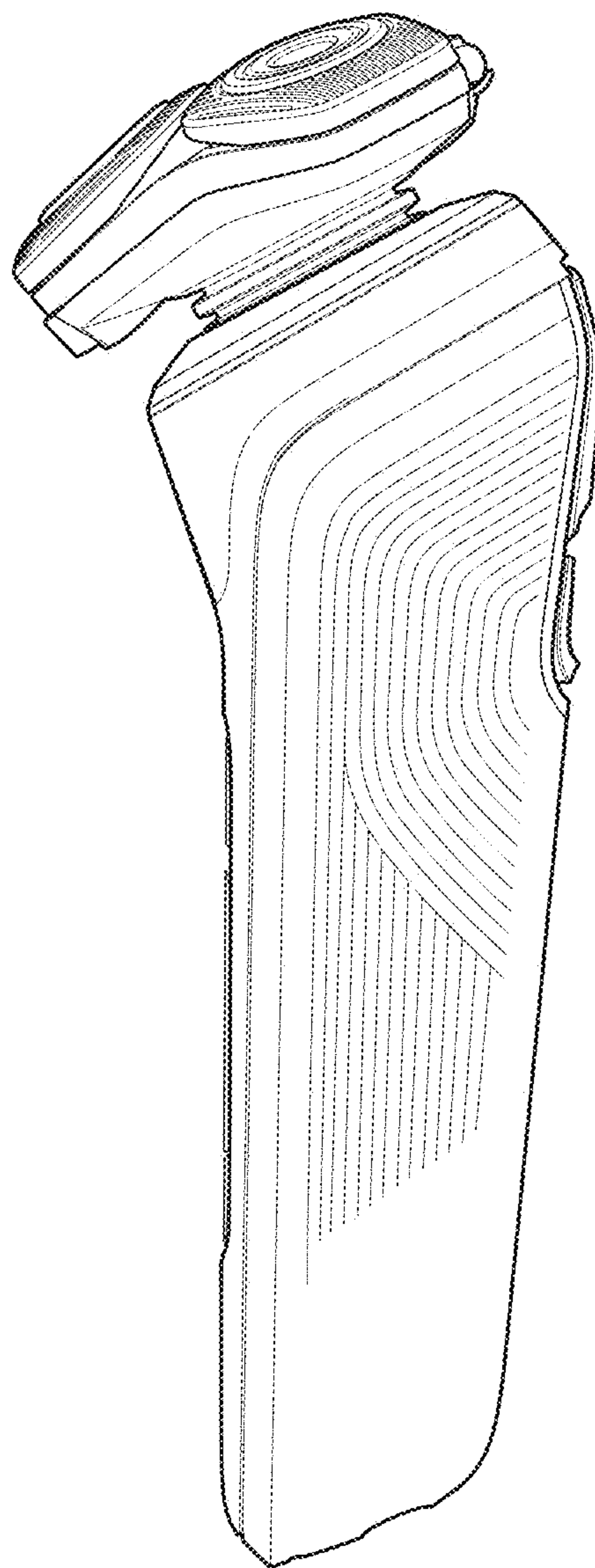


FIG. 33

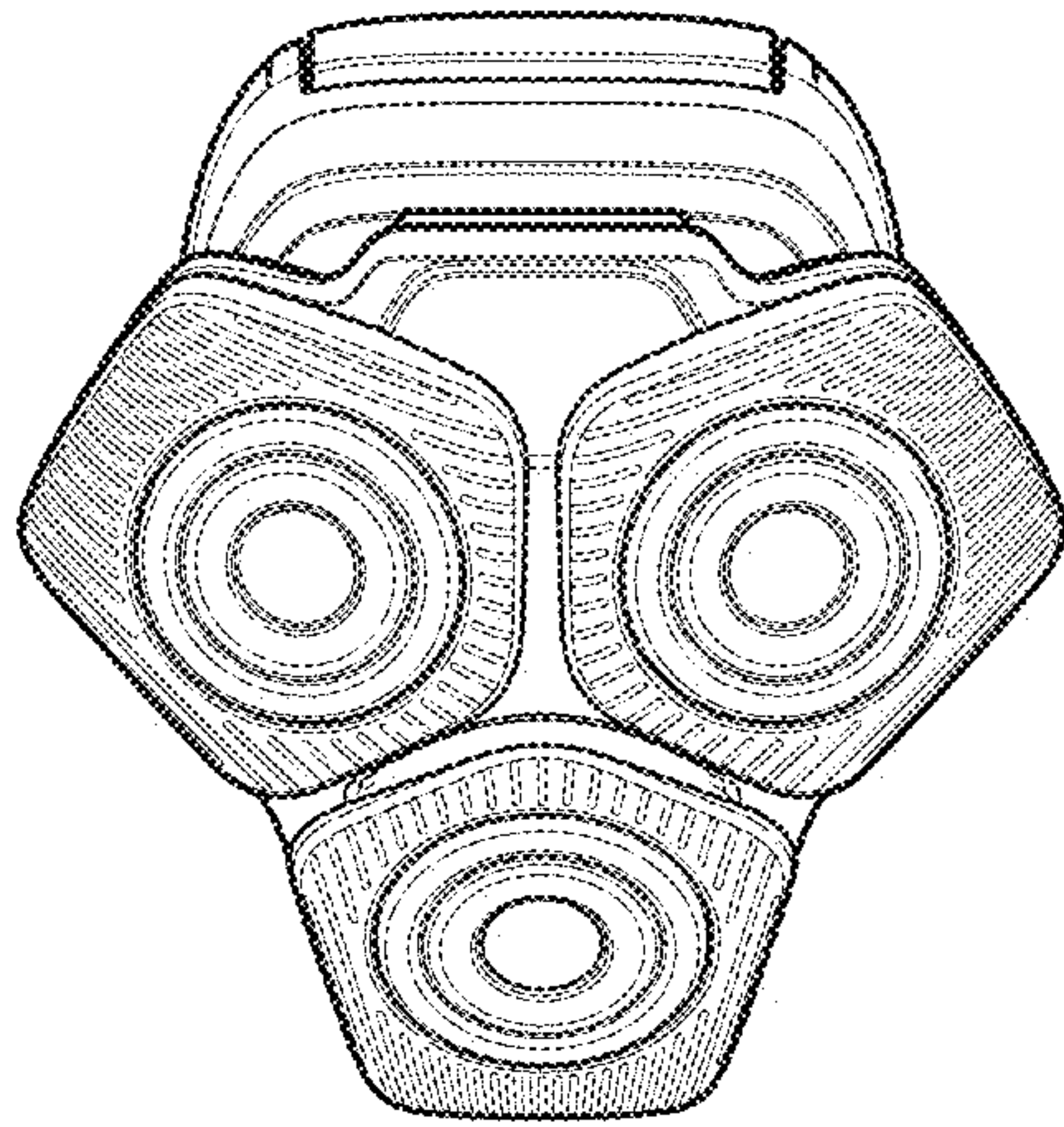


FIG. 34

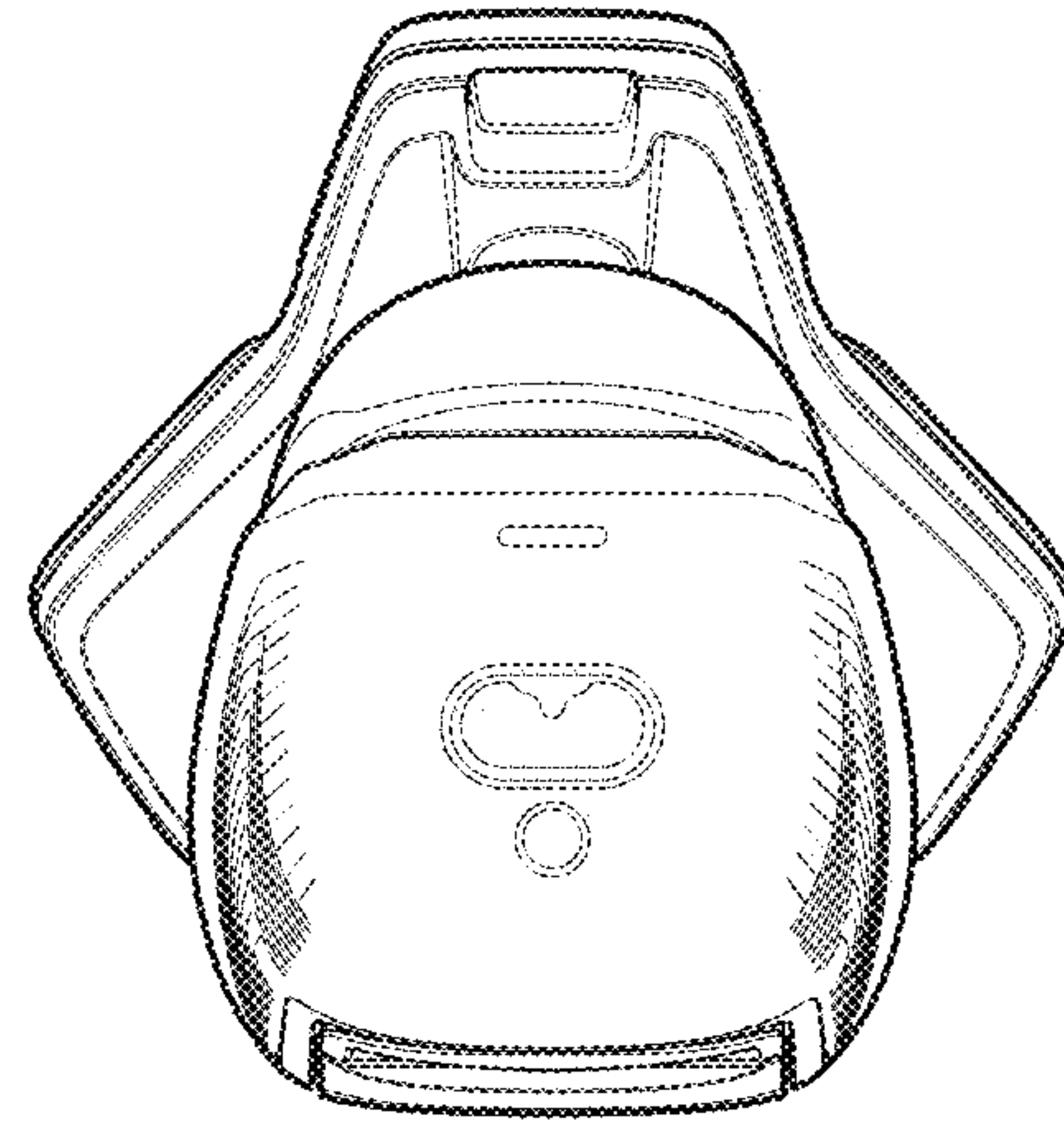


FIG. 35

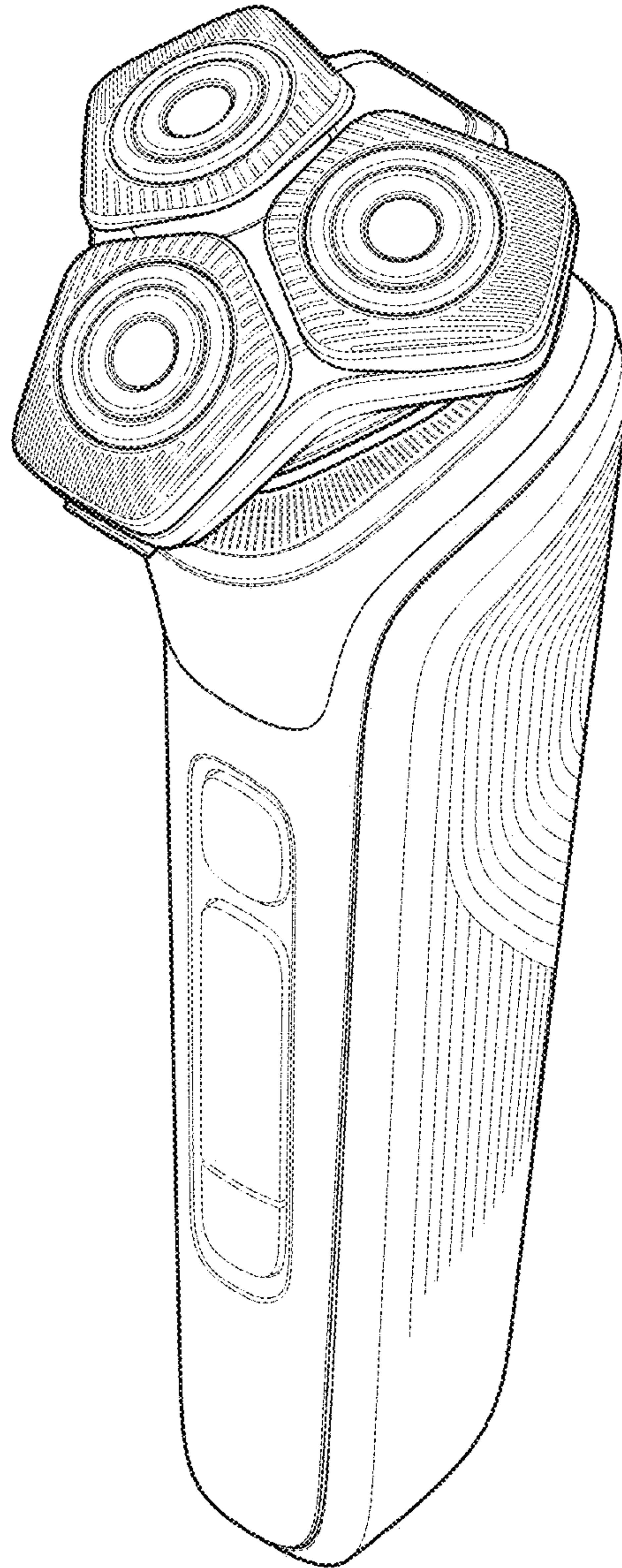


FIG. 36



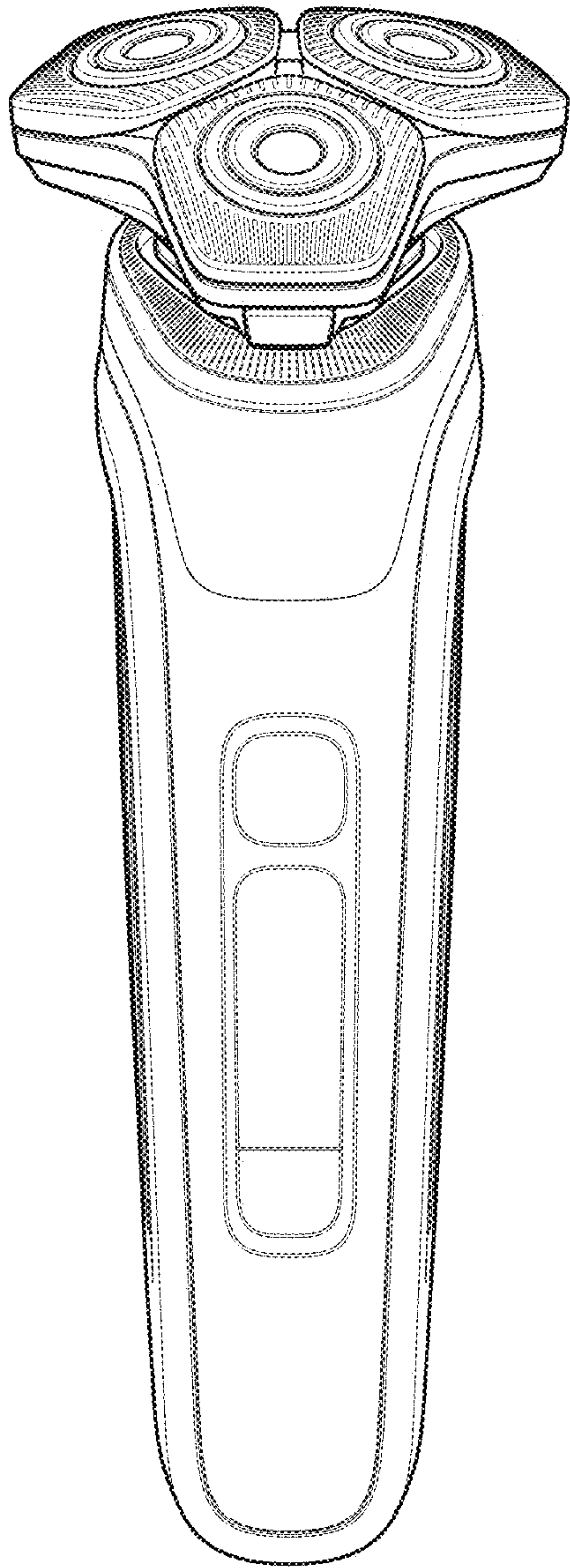


FIG. 37

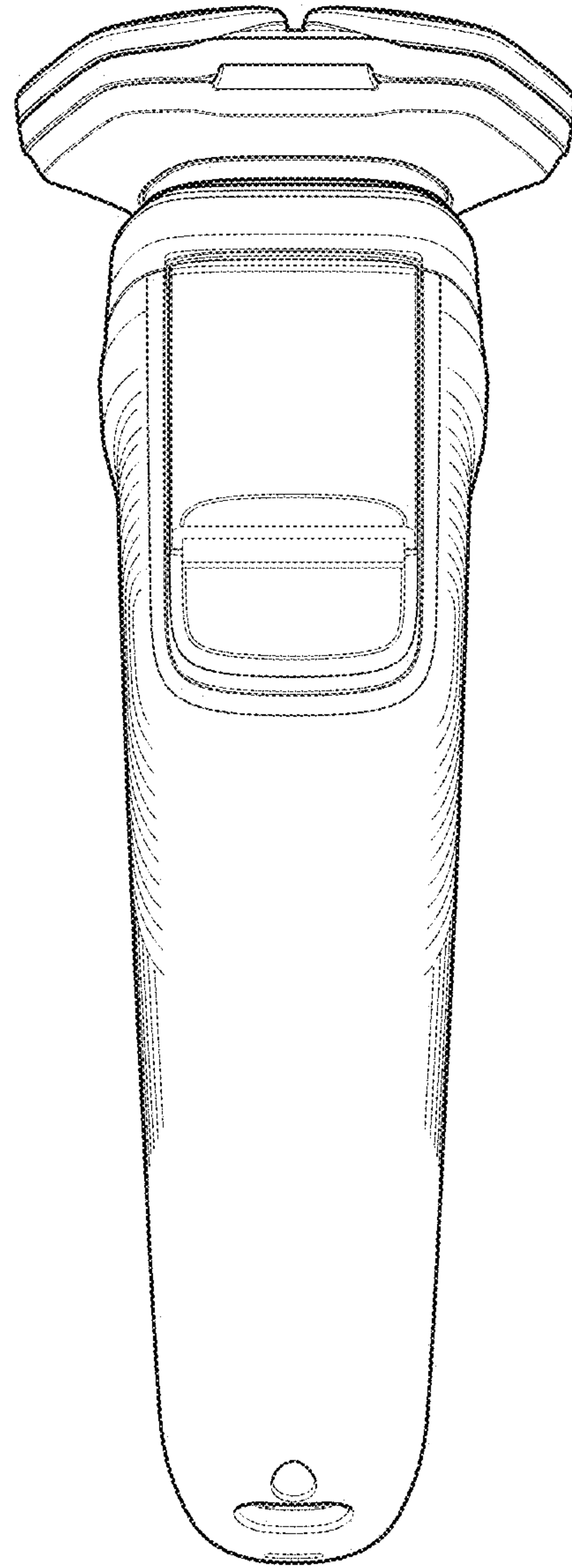


FIG. 38



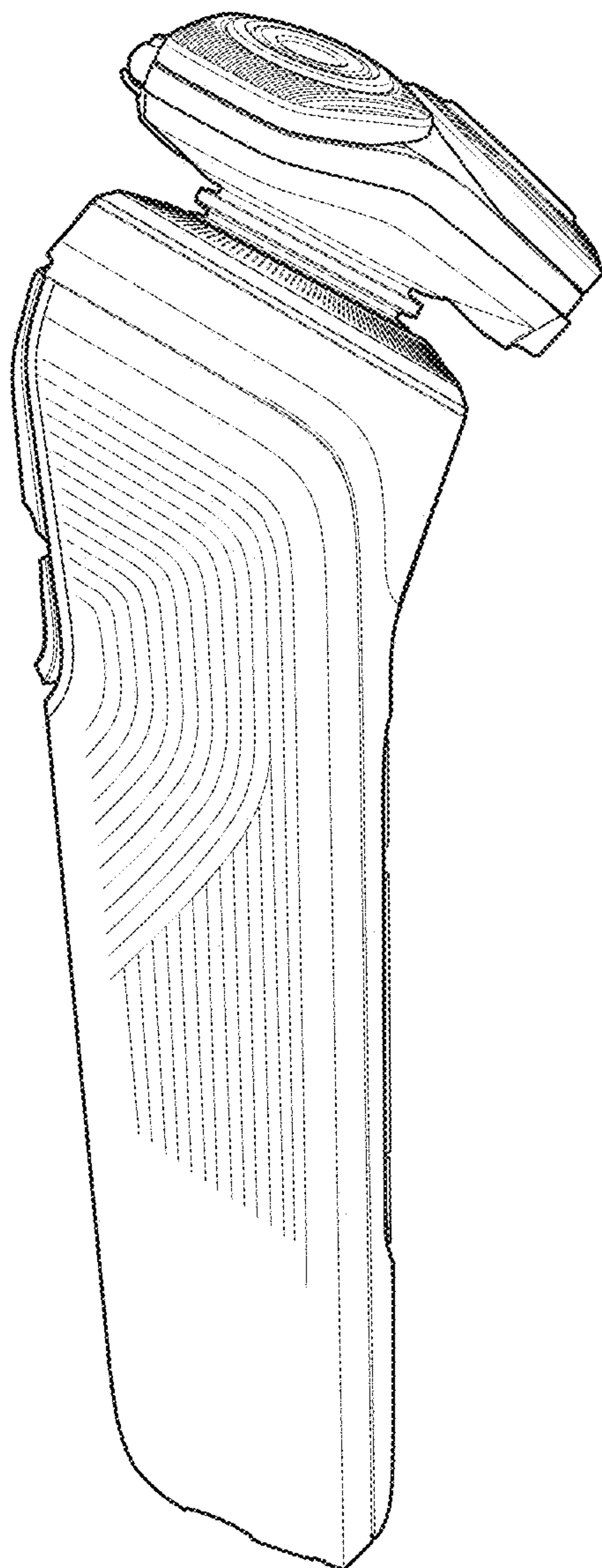


FIG. 39

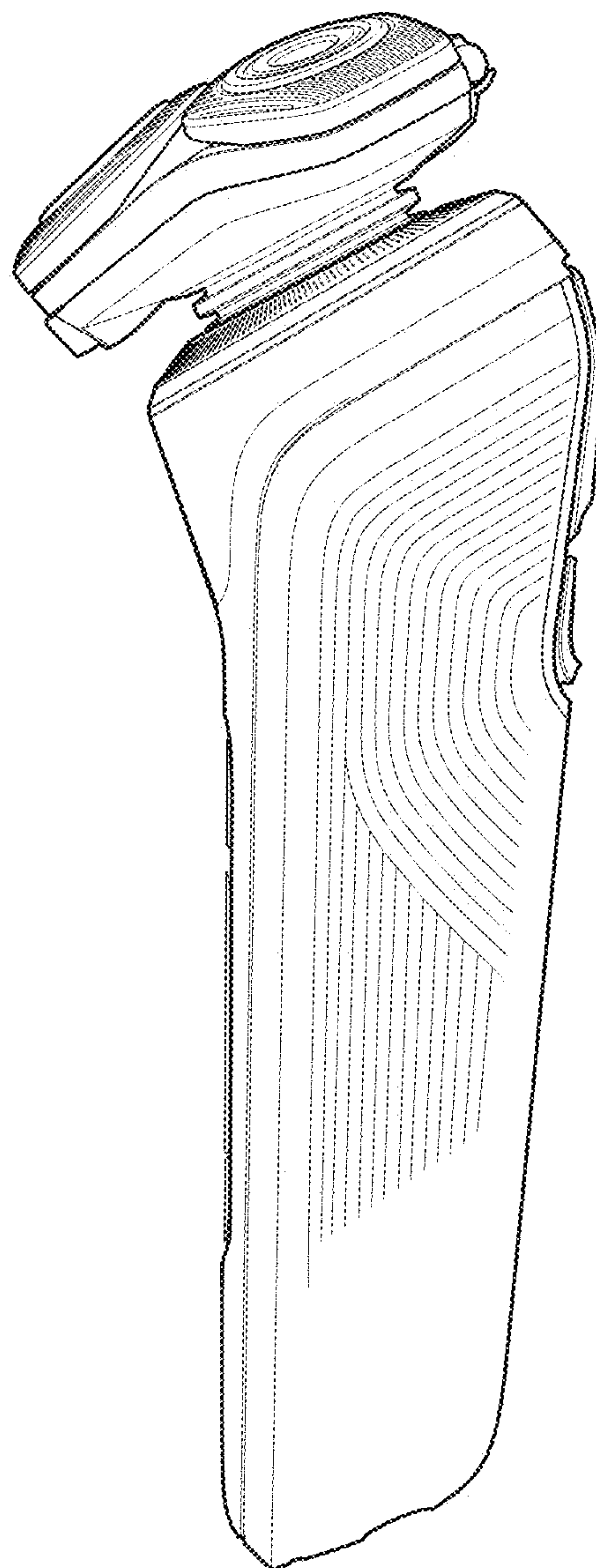


FIG. 40

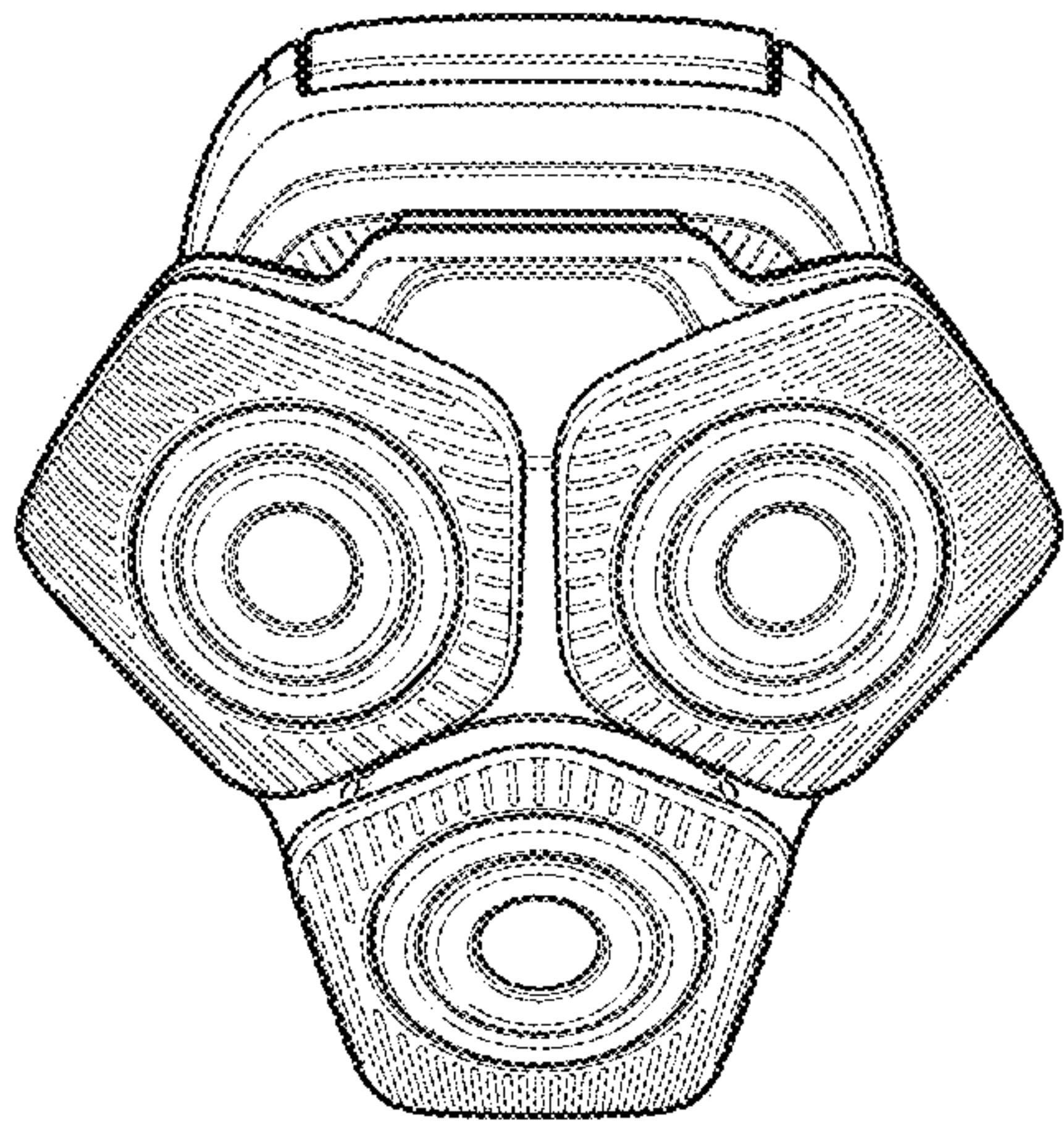


FIG. 41

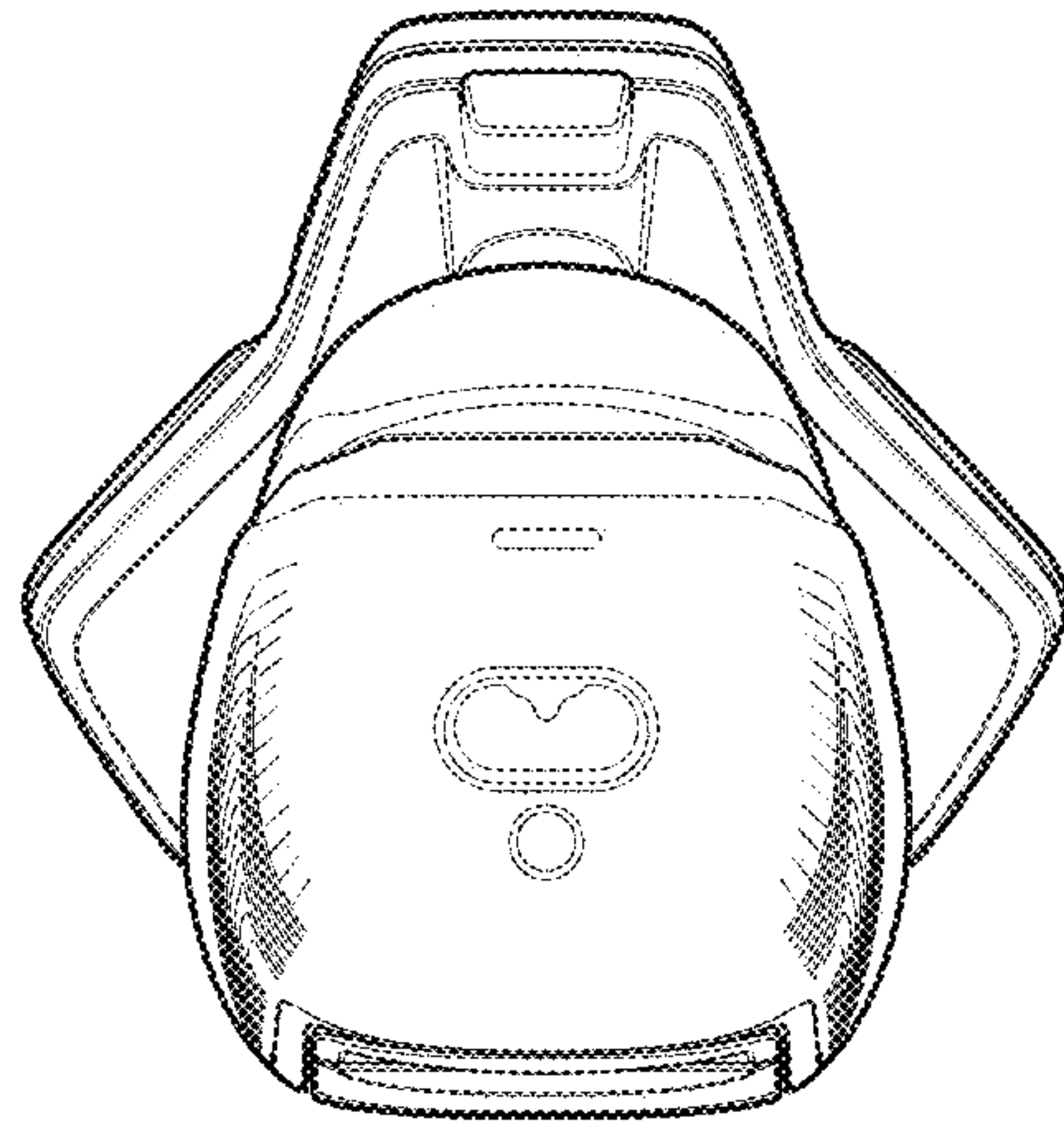


FIG. 42

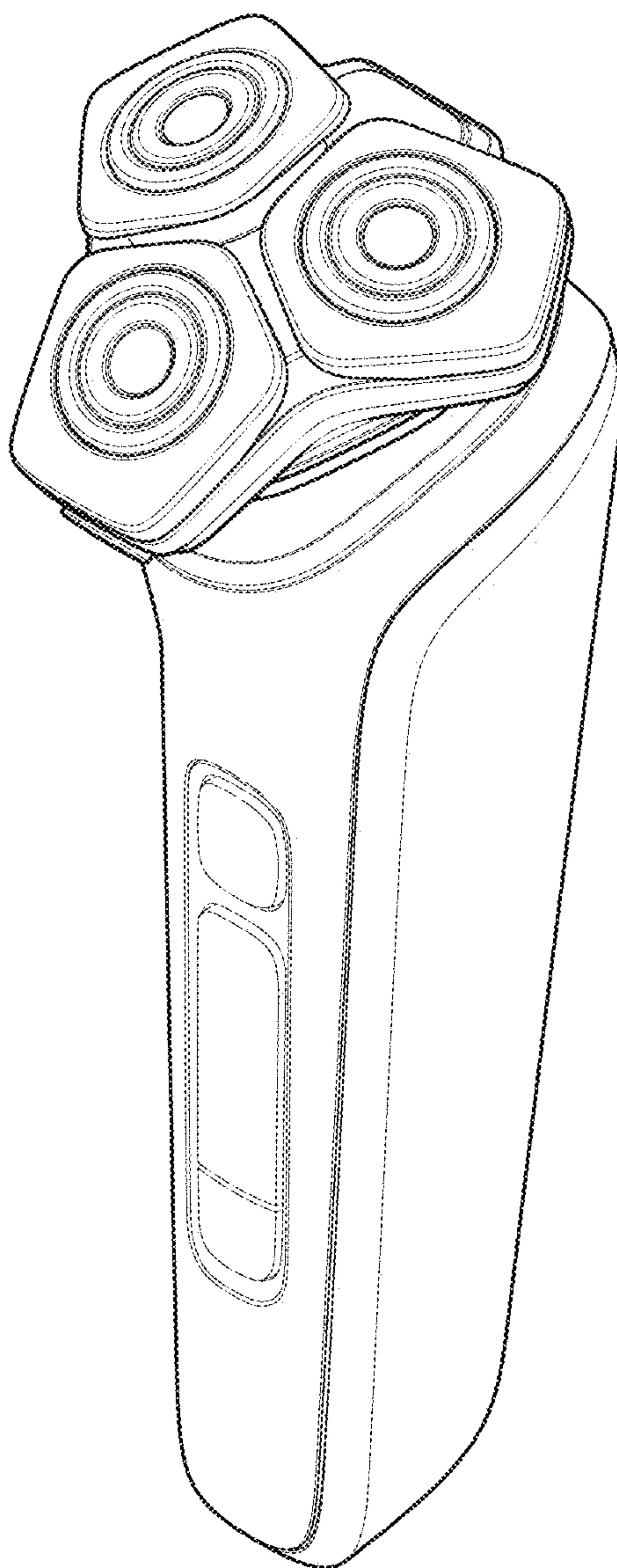


FIG. 43



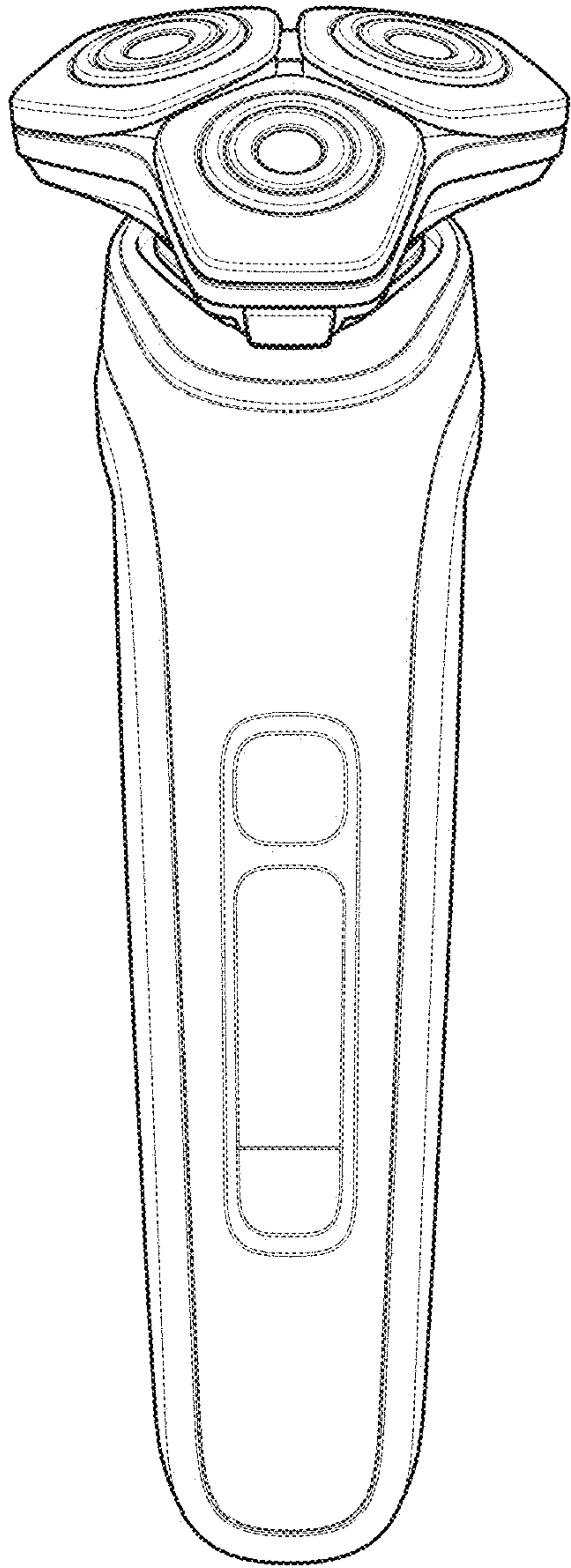


FIG. 44

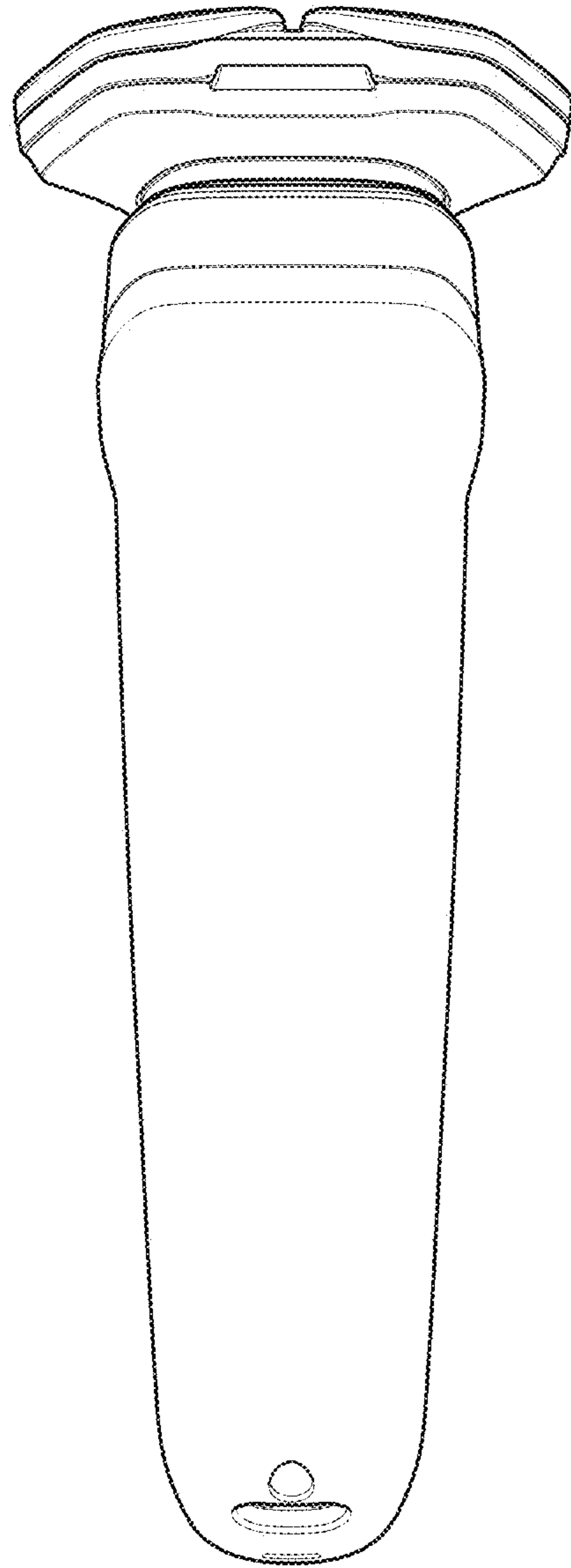


FIG. 45



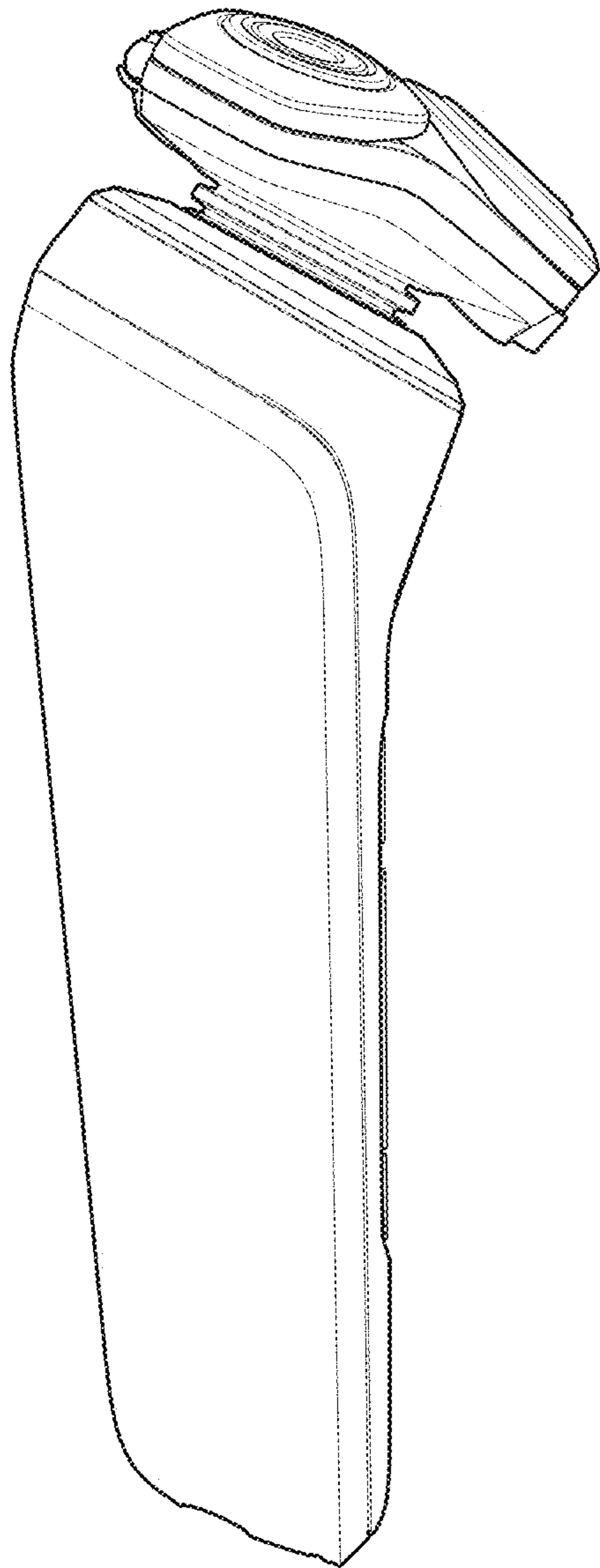


FIG. 46

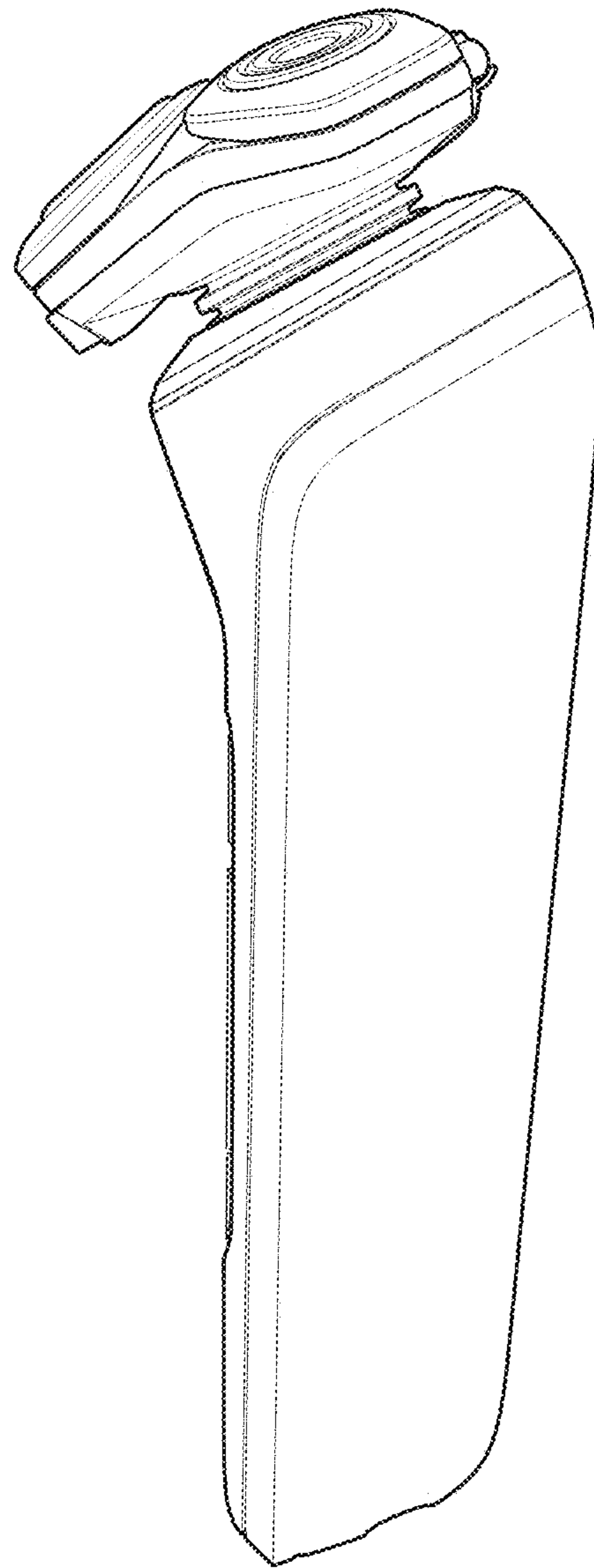


FIG. 47

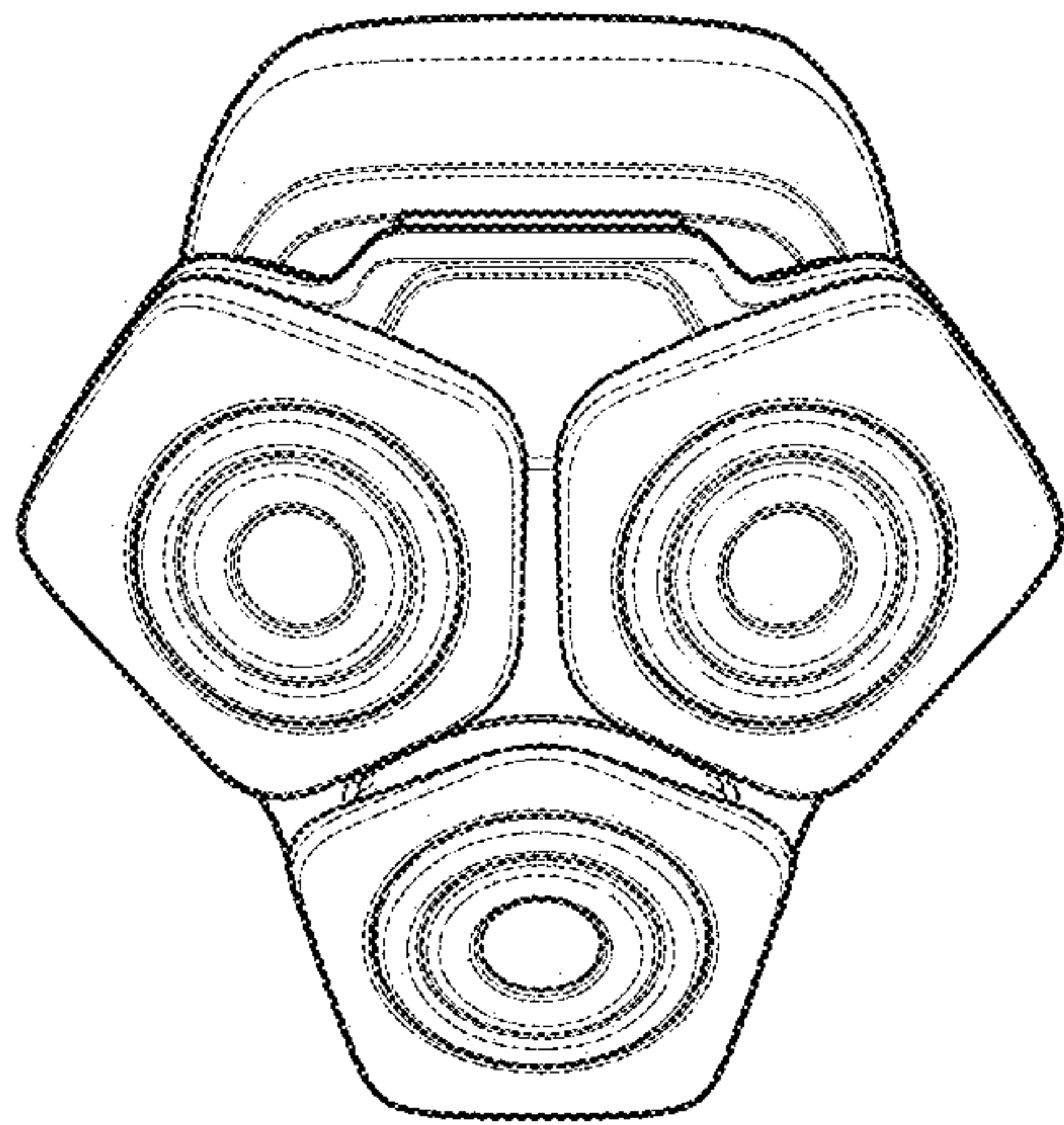


FIG. 48

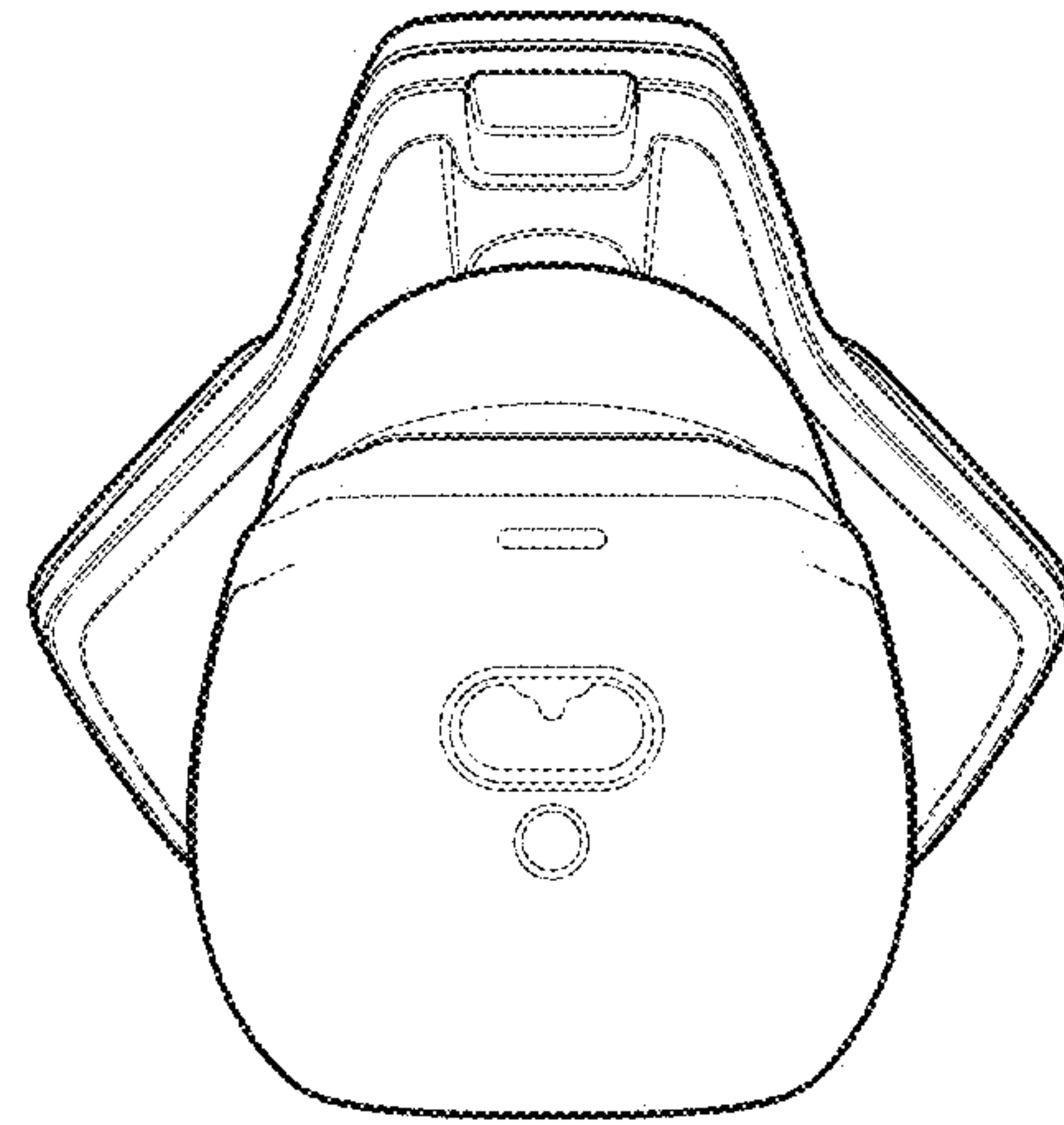


FIG. 49

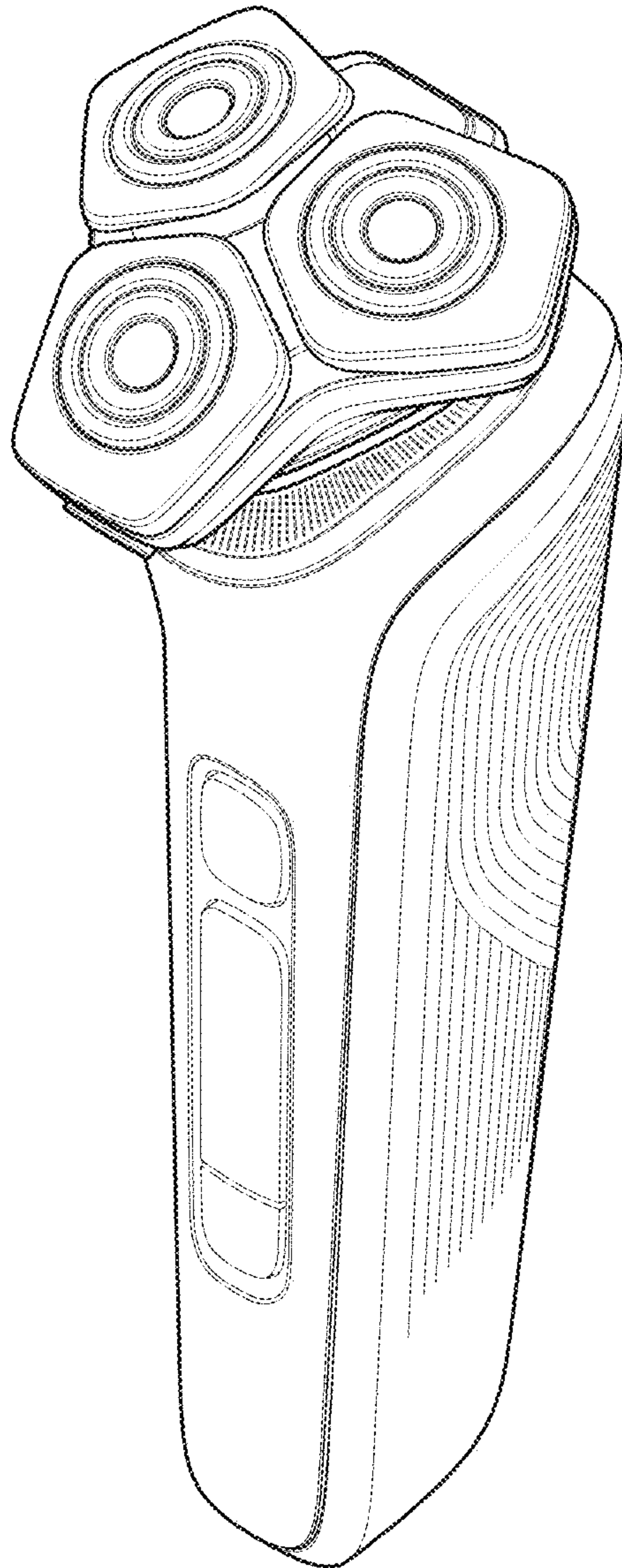


FIG. 50

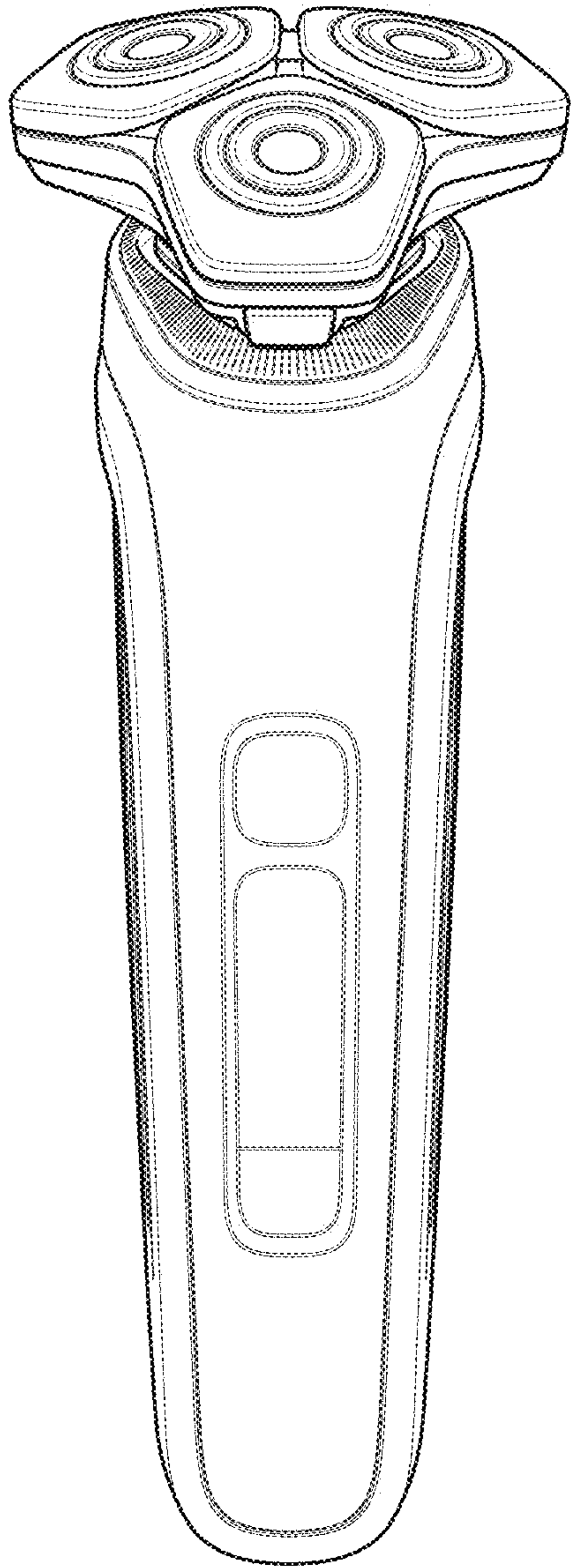


FIG. 51

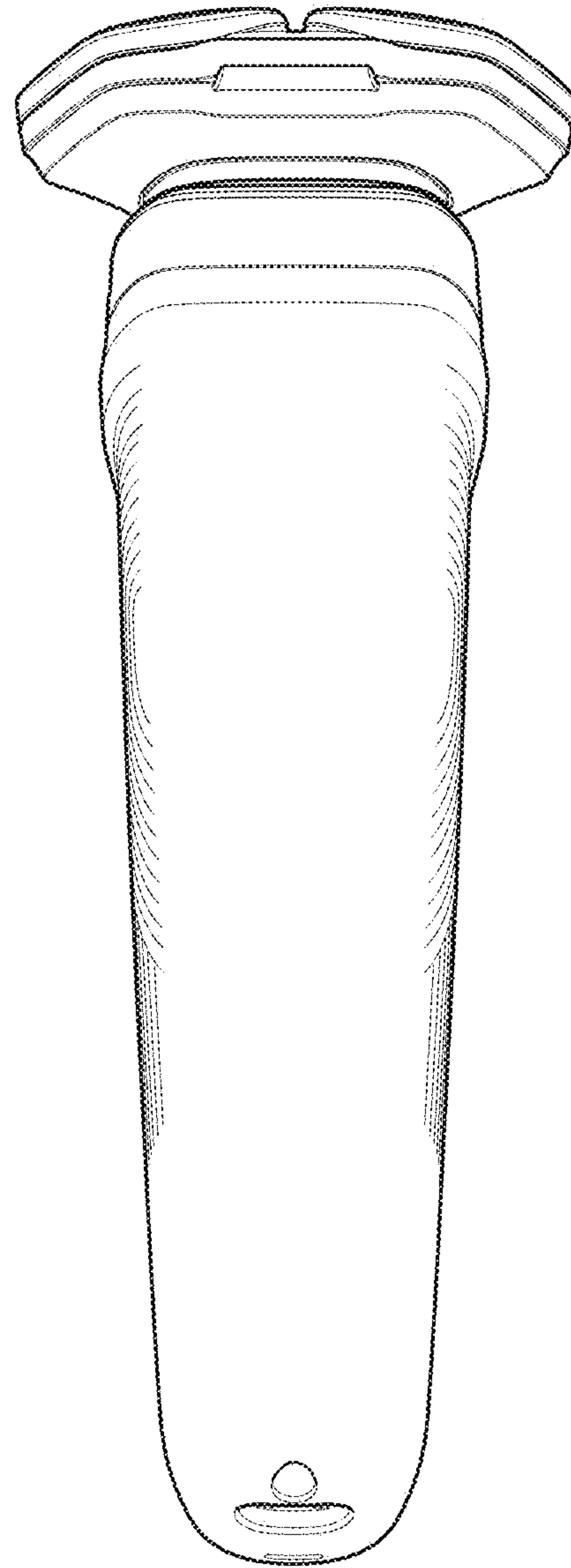


FIG. 52



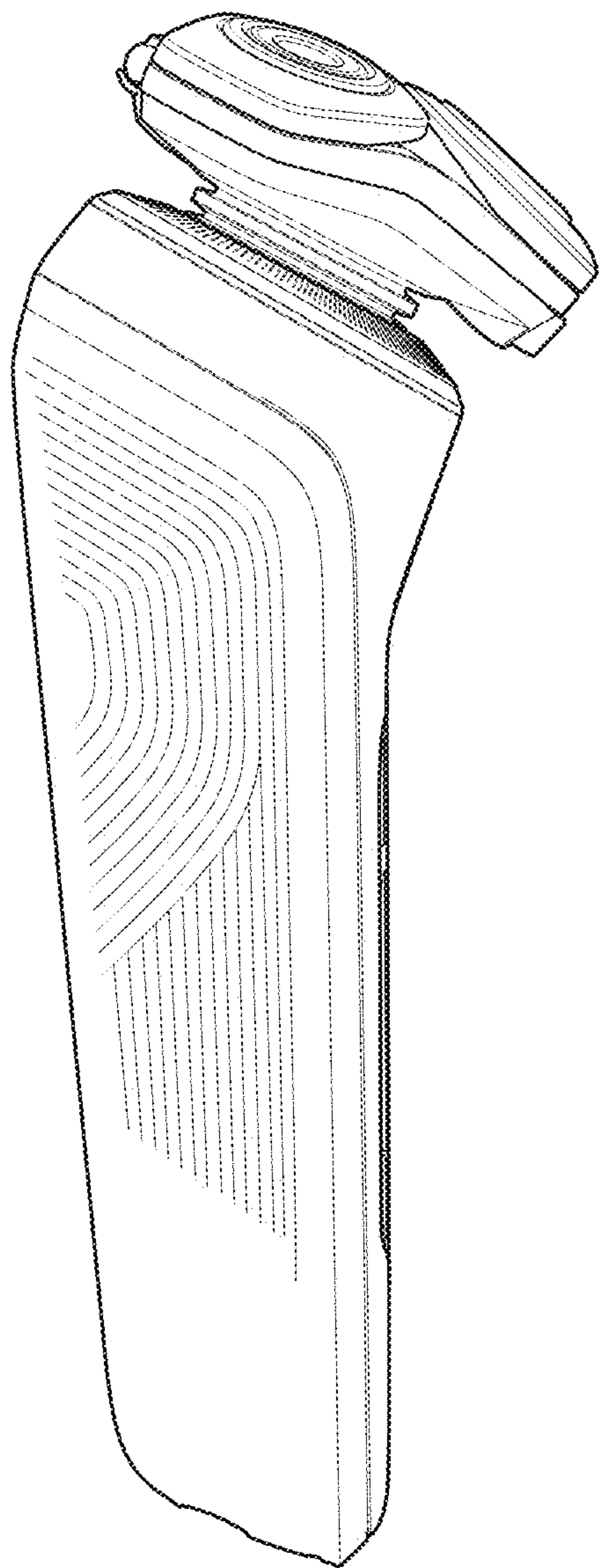


FIG. 53

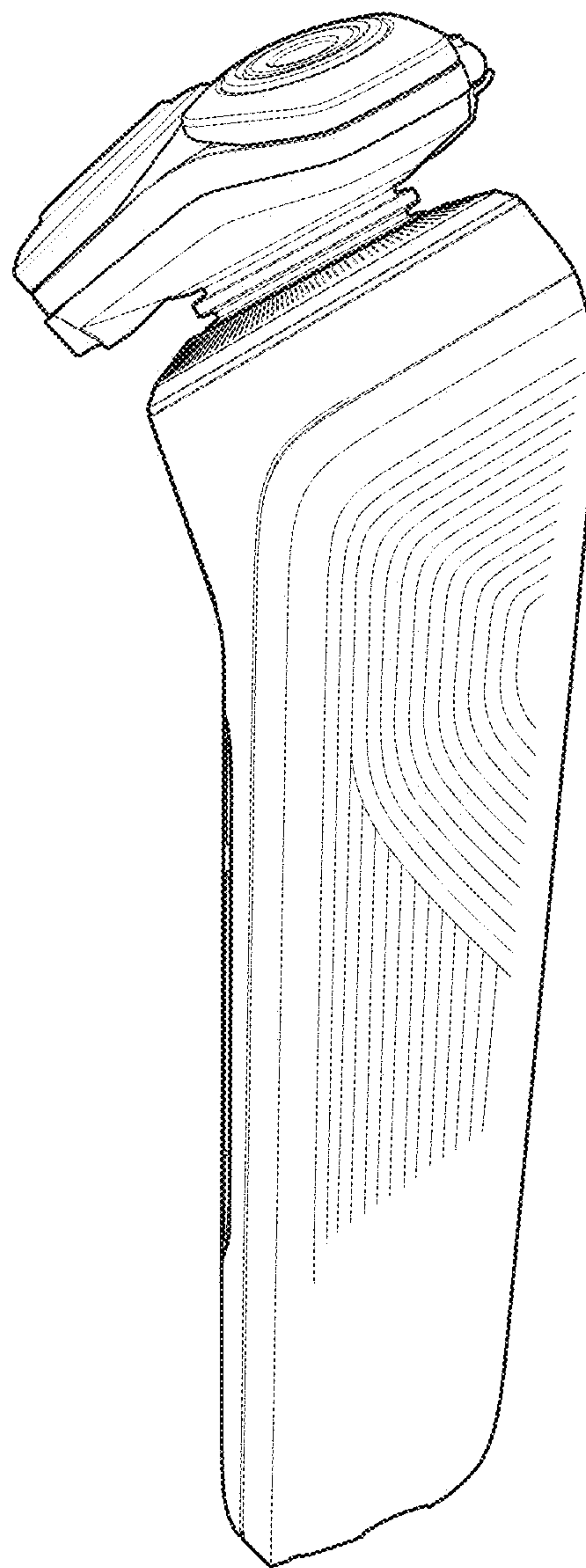


FIG. 54

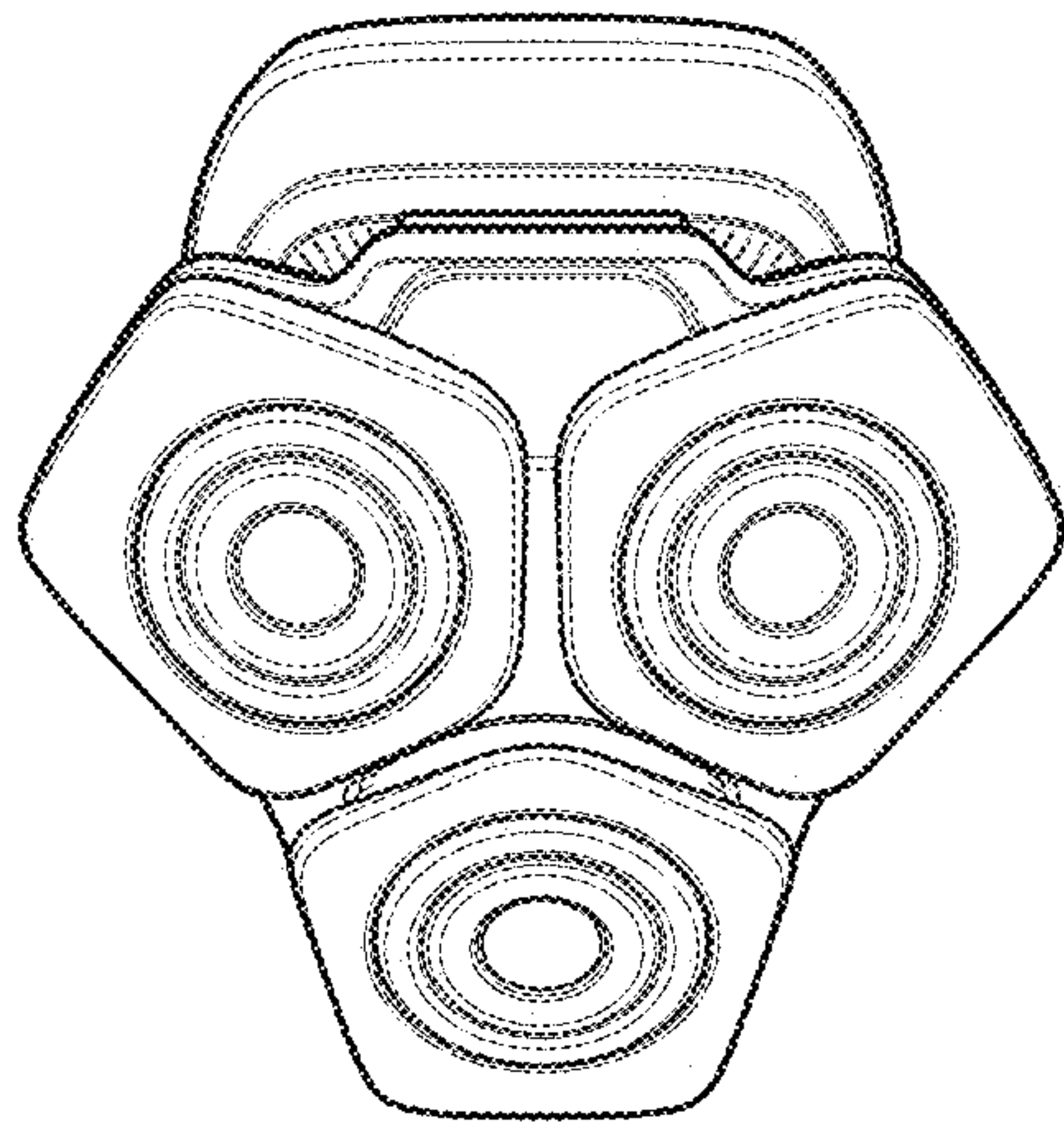


FIG. 55

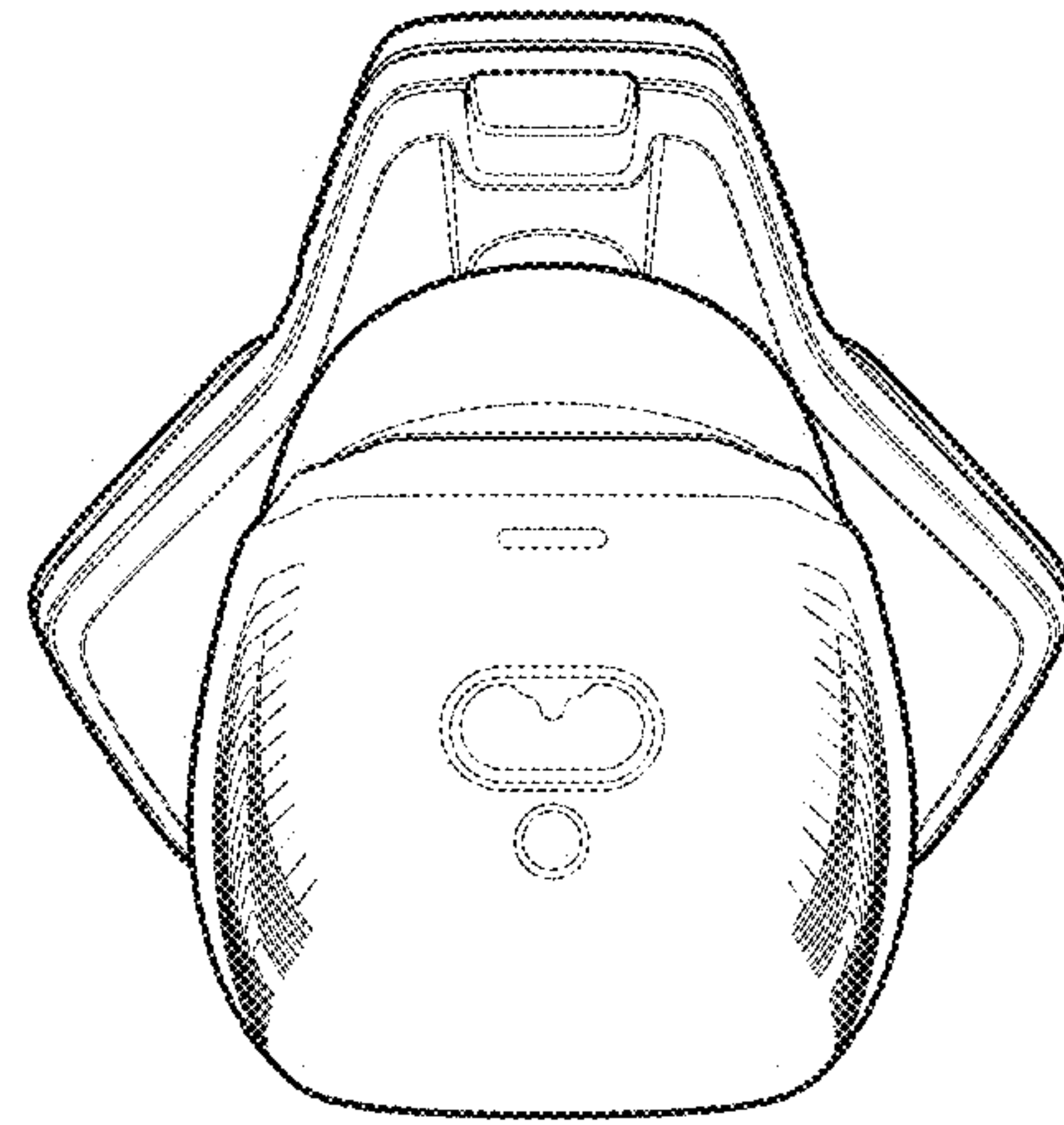


FIG. 56