



US00D962538S

(12) **United States Design Patent**
Avetisyan

(10) **Patent No.:** **US D962,538 S**

(45) **Date of Patent:** **** Aug. 30, 2022**

(54) **HAIR CLIP**

(71) Applicant: **Vardges Vick Avetisyan**, Reseda, CA
(US)

(72) Inventor: **Vardges Vick Avetisyan**, Reseda, CA
(US)

(**) Term: **15 Years**

(21) Appl. No.: **29/749,278**

(22) Filed: **Sep. 3, 2020**

(51) **LOC (13) Cl.** **28-03**

(52) **U.S. Cl.**
USPC **D28/27; D4/116**

(58) **Field of Classification Search**
USPC D4/116-118, 121, 130, 132, 134, 138;
D28/21-27, 39-43
CPC .. A46B 3/18; A46B 5/00; A46B 9/021; A46B
11/00; A46B 11/0003; A46B 2200/1053;
A45D 40/26; A45D 40/265; A45D 24/02;
A45D 24/10; A45D 24/16

See application file for complete search history.

(56) **References Cited**

U.S. PATENT DOCUMENTS

1,874,630	A *	8/1932	Samantas	A45D 2/42 132/127
1,922,347	A *	8/1933	Bear	A45D 24/16 132/121
D119,219	S *	2/1940	Solomon	A45D 24/16 D28/26
D148,461	S *	1/1948	D'Alberto	D19/86
D194,732	S *	2/1963	Dent	D28/25
D197,638	S *	3/1964	Lardenois	A46B 15/0055 D4/117
D269,820	S *	7/1983	Bisson	D28/25
D302,343	S *	7/1989	Babatunde	D28/25
5,638,836	A *	6/1997	Yasuda	A45D 8/30 132/273

D388,539	S *	12/1997	Ford	A46B 15/0055 D28/28
6,263,886	B1 *	7/2001	Davis	A45D 8/20 132/273
D687,597	S *	8/2013	Webster	A45D 24/00 D28/25
D788,366	S *	5/2017	Gordon	A45D 2/42 D28/24
D914,975	S *	3/2021	John	A45D 8/30 D28/27
D953,638	S *	5/2022	Tung	A45D 8/20 D28/23

* cited by examiner

Primary Examiner — Keli L Hill

(74) *Attorney, Agent, or Firm* — Quickpatents, LLC;
Kevin Prince

(57) **CLAIM**

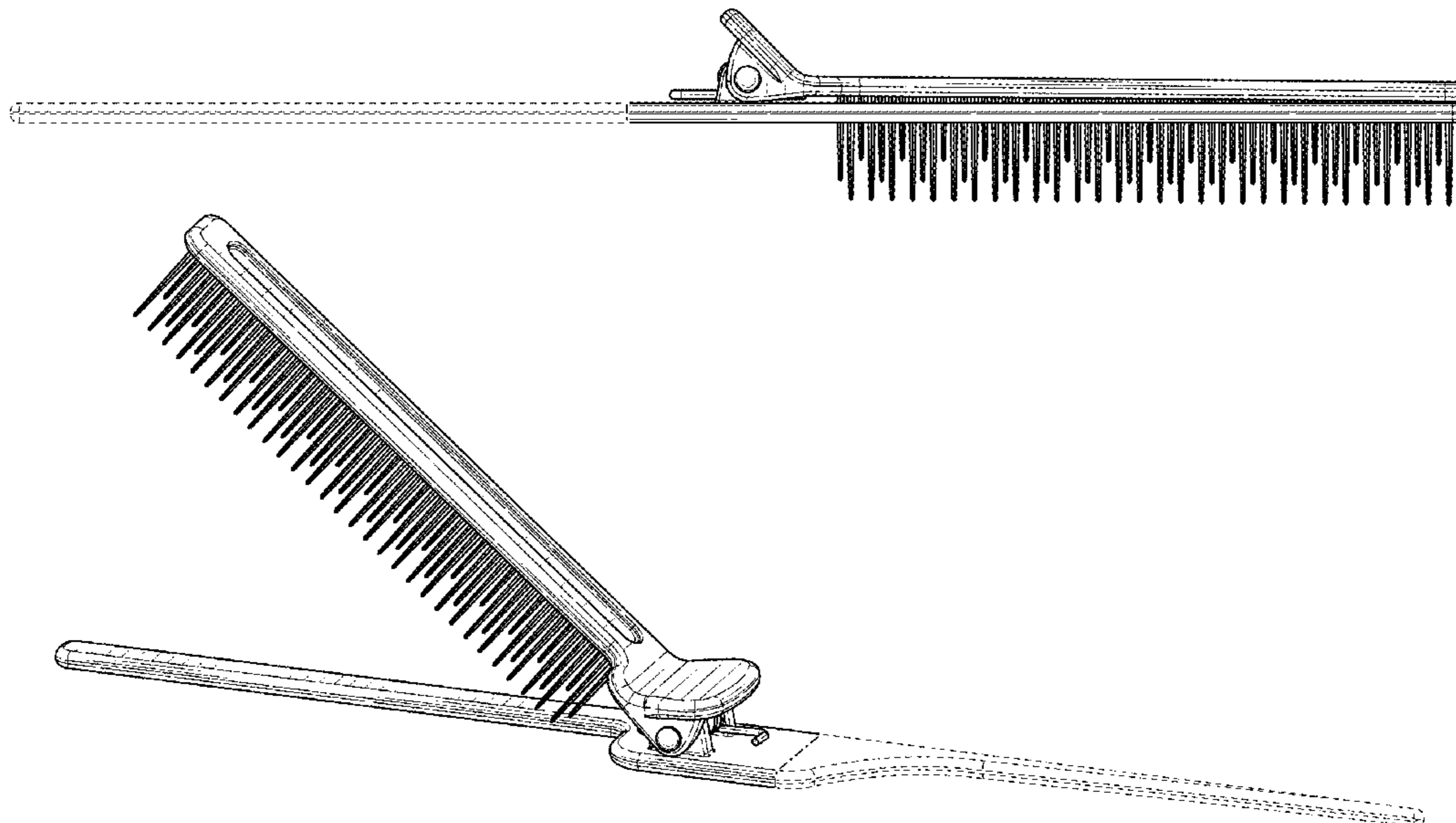
The ornamental design for a hair clip, as shown and described.

DESCRIPTION

FIG. 1 is a perspective view of a hair clip, showing my new design in a closed position;
FIG. 2 is a right-side elevational view of FIG. 1;
FIG. 3 is a left-side elevational view of FIG. 1;
FIG. 4 is a front elevational view of FIG. 1;
FIG. 5 is a rear elevational view of FIG. 1;
FIG. 6 is a top plan view of FIG. 1;
FIG. 7 is a bottom plan view of FIG. 1;
FIG. 8 is a perspective view thereof, illustrated in an open position; and,
FIG. 9 is a right-side elevational view of FIG. 8.

The dot-dot-dash broken lines represent the bounds of the claimed design while all other broken lines are included for the purpose of illustrating portions of the hair clip; the broken lines form no part of the claimed design.

1 Claim, 6 Drawing Sheets



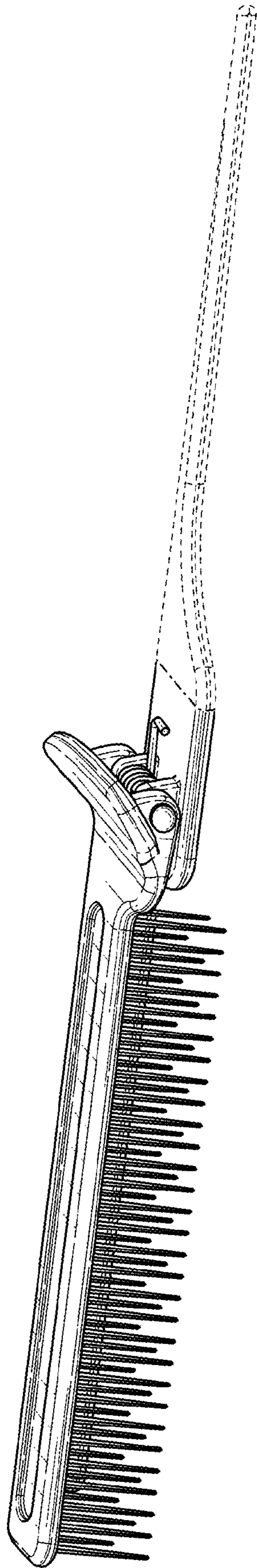


FIG. 1

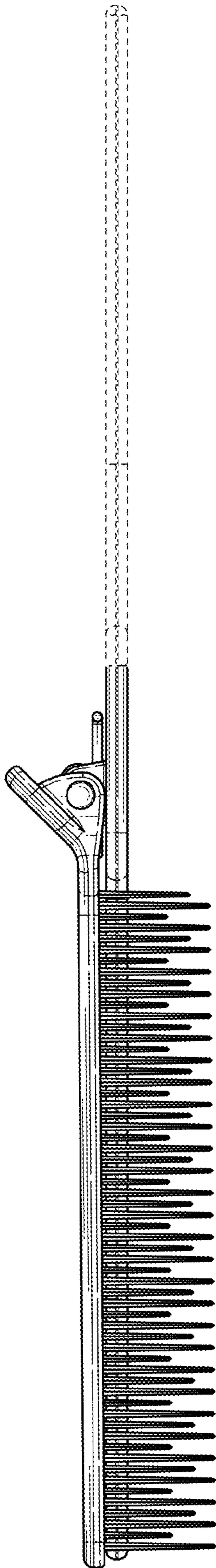


FIG. 2

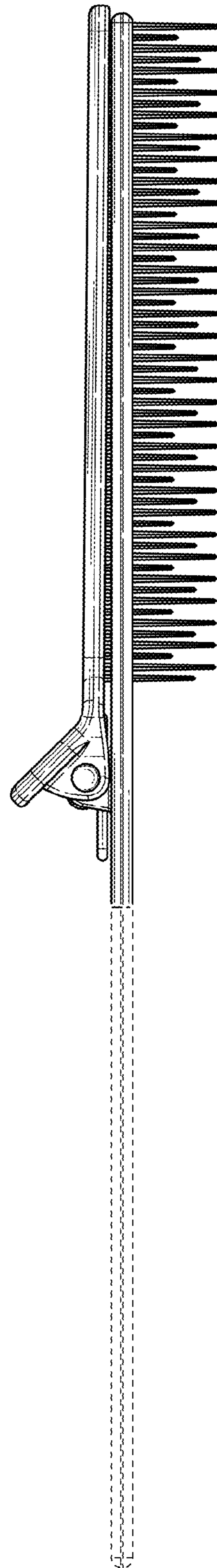


FIG. 3

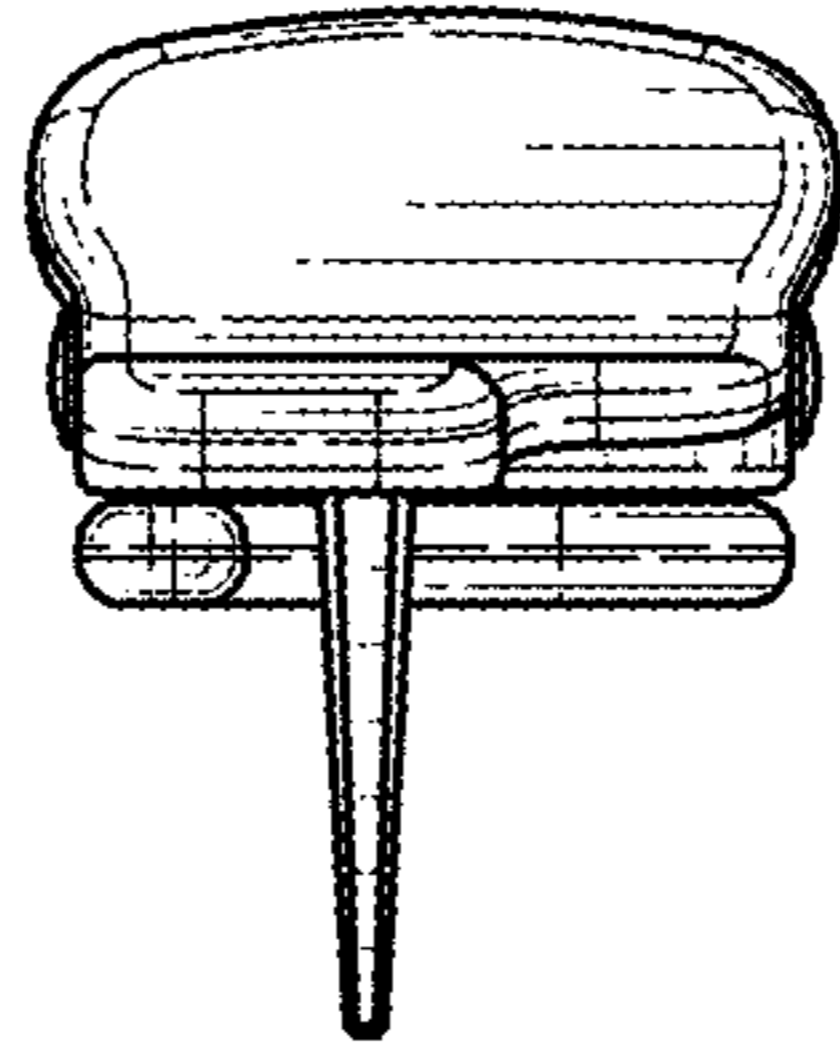


FIG. 4

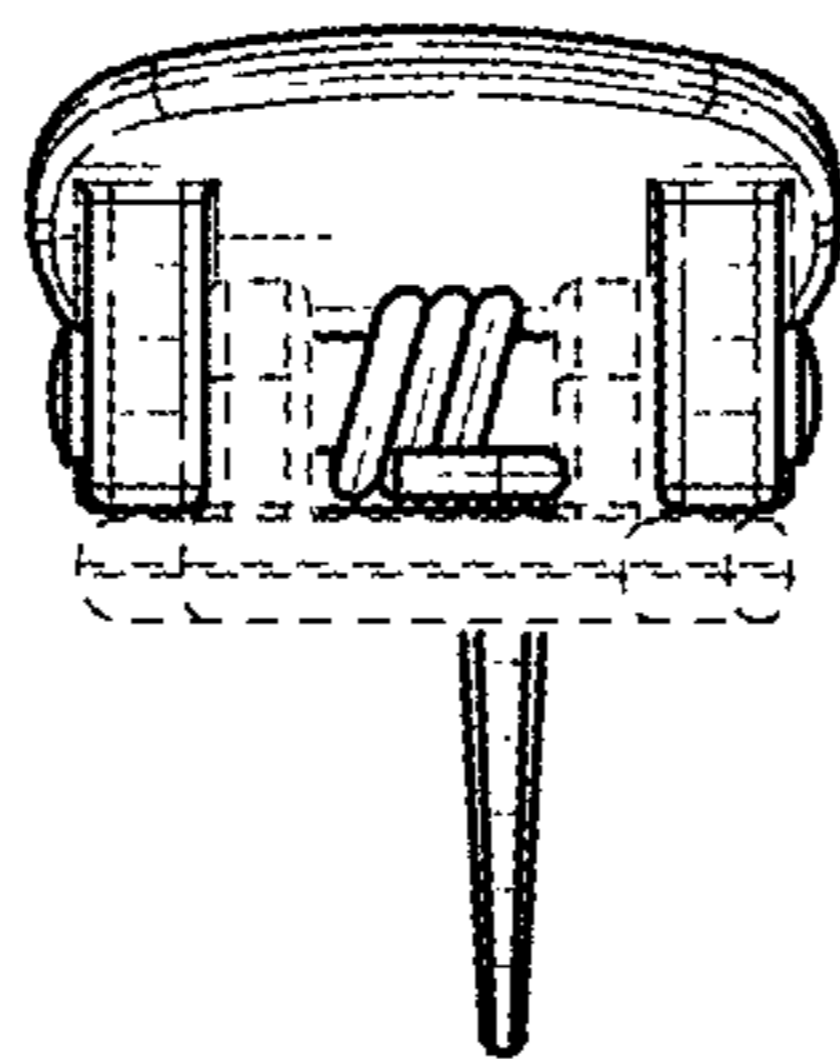


FIG. 5

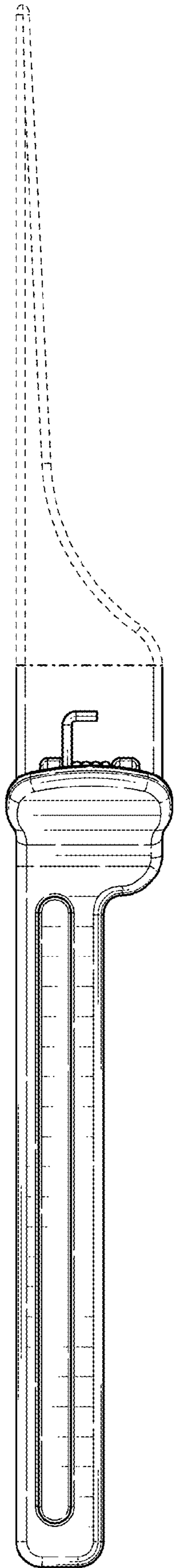


FIG. 6

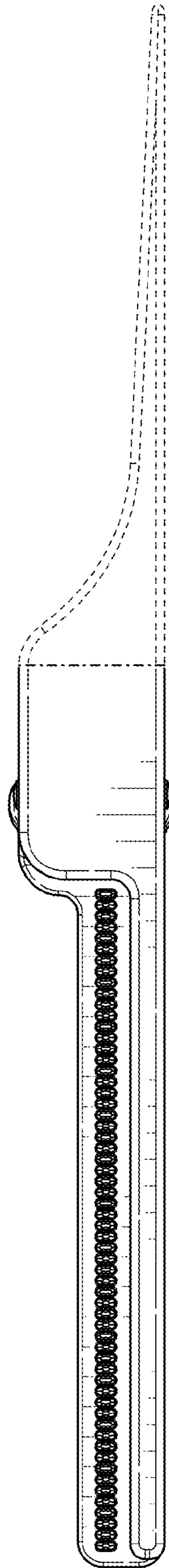


FIG. 7

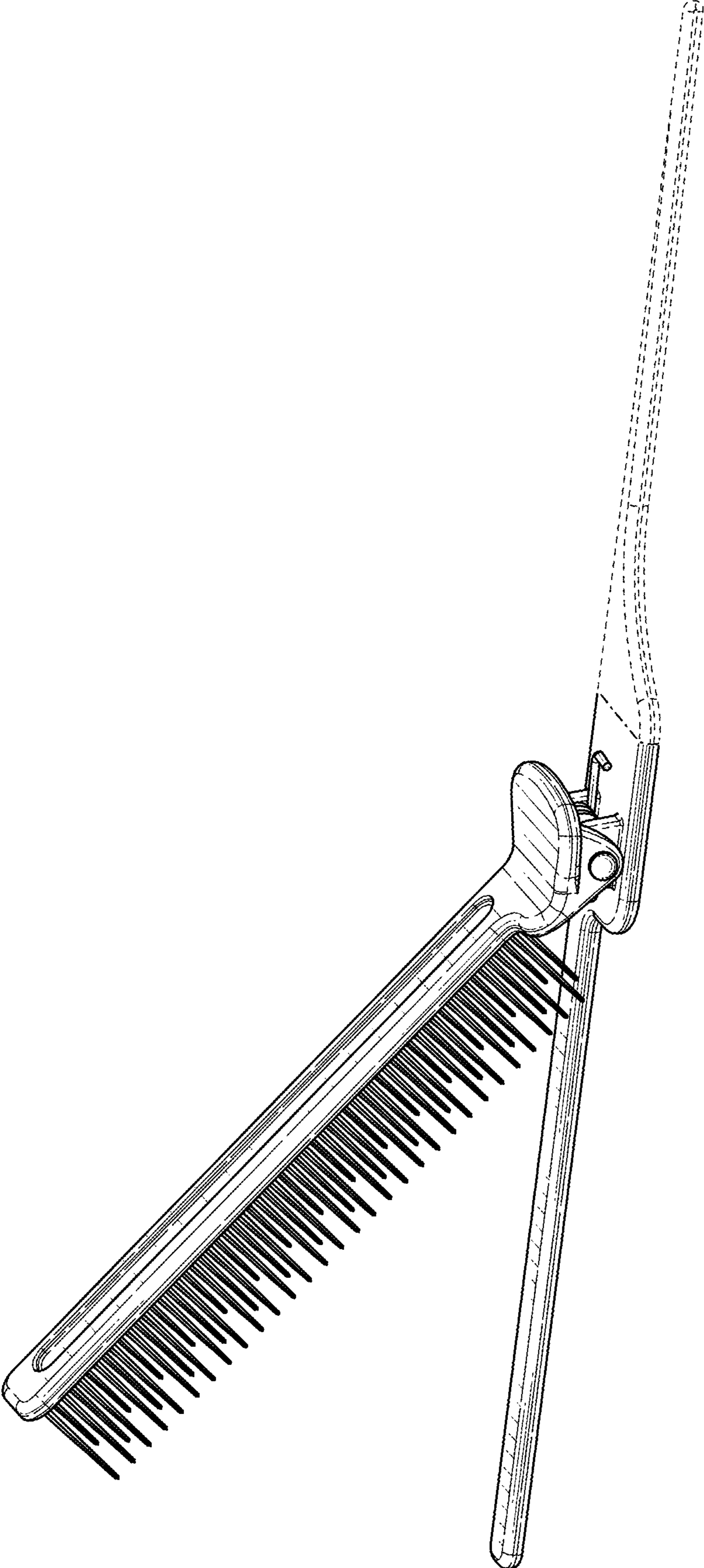


FIG. 8

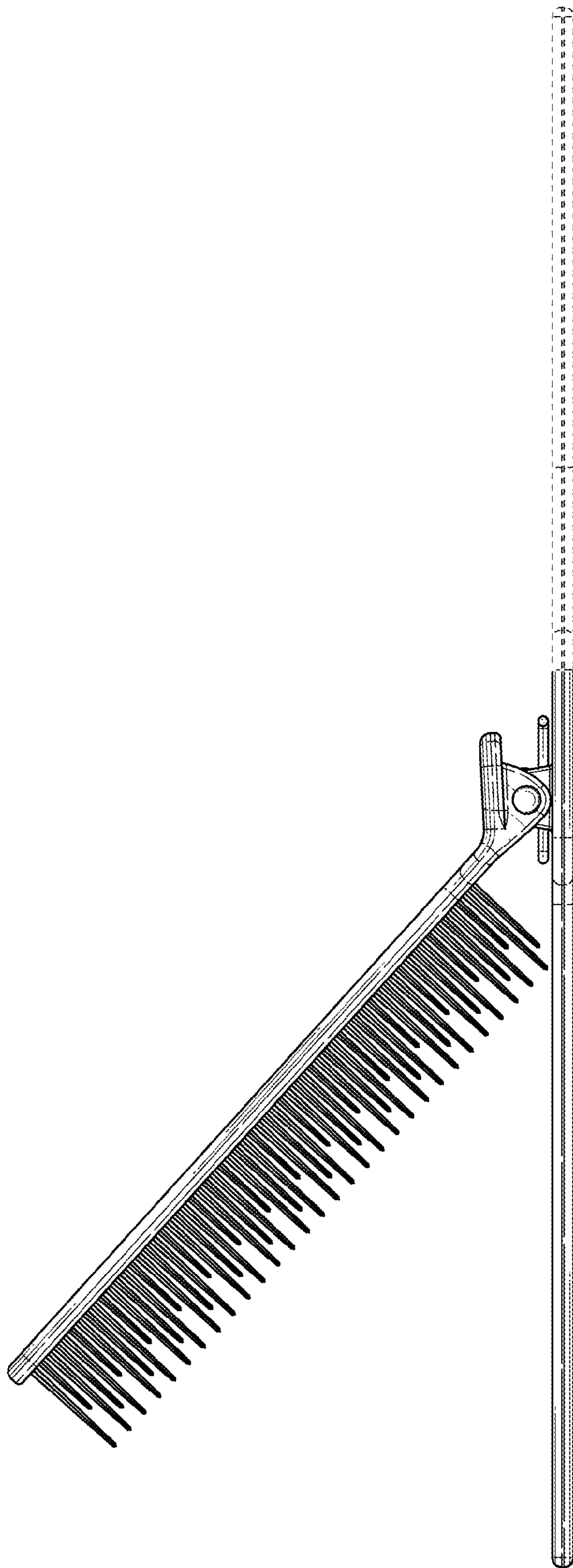


FIG. 9