



US00D962537S

(12) **United States Design Patent**
Dodson et al.

(10) **Patent No.:** **US D962,537 S**

(45) **Date of Patent:** **** Aug. 30, 2022**

(54) **CARTRIDGES FILLING SYSTEM**
(71) Applicant: **Gravitron, LLC**, Austin, TX (US)
(72) Inventors: **Travis Dodson**, Austin, TX (US);
Micah Evans, Austin, TX (US)
(73) Assignee: **Gravitron, LLC**, Austin, TX (US)
(**) Term: **15 Years**

8,955,563 B2 2/2015 Tahil et al.
9,862,519 B2 1/2018 Deutsche et al.
10,071,021 B2 9/2018 Calvert, II et al.
10,604,292 B1 * 3/2020 Dodson B65B 39/007
D905,228 S * 12/2020 Shauver D24/108
D910,201 S * 2/2021 Evans D24/224
11,204,361 B2 * 12/2021 Birrer G01N 35/00732
11,226,348 B2 * 1/2022 Vollenweider G01N 35/04
2001/0035431 A1 11/2001 Runft
2001/0043972 A1 11/2001 Tomlinson
2003/0215956 A1 11/2003 Reed

(Continued)

(21) Appl. No.: **29/746,744**

(22) Filed: **Aug. 17, 2020**

Related U.S. Application Data

(60) Division of application No. 16/834,495, filed on Mar. 30, 2020, which is a continuation of application No. 16/565,869, filed on Sep. 10, 2019, now Pat. No. 10,604,292.
(51) **LOC (13) Cl.** **27-06**
(52) **U.S. Cl.**
USPC **D27/172**
(58) **Field of Classification Search**
USPC D27/172, 100, 162, 184, 193, 194;
D7/300, 589
CPC A47K 5/00; A61M 15/00
See application file for complete search history.

(56) **References Cited**

U.S. PATENT DOCUMENTS

3,552,454 A 1/1971 Deming
4,827,827 A * 5/1989 Sanfilippo B65B 67/02
222/460
4,877,067 A 10/1989 Shimokawa et al.
4,884,602 A 12/1989 Yamamoto et al.
4,972,886 A 11/1990 Bernstein
5,081,822 A 1/1992 Boyd et al.
5,321,932 A 6/1994 Sundberg
D569,033 S * 5/2008 Parcevaux D27/194
7,530,213 B2 5/2009 Barrett et al.

FOREIGN PATENT DOCUMENTS

FR 3022533 A1 12/2015
WO 9962764 A2 12/1999

OTHER PUBLICATIONS

Metal Capsule Filling Maching By: CAPSULCN found on line (Jan. 21, 2022) <https://www.ipharmachine.com/semi-auto-metal-capsule-filling-machine-cn-100m?affiliate=adwords&gclid=> (Mar. 1, 2021).*

(Continued)

Primary Examiner — Rebecca Tsehaye
(74) *Attorney, Agent, or Firm* — Dickinson Wright, PLLC; Michael E. Noe, Jr.

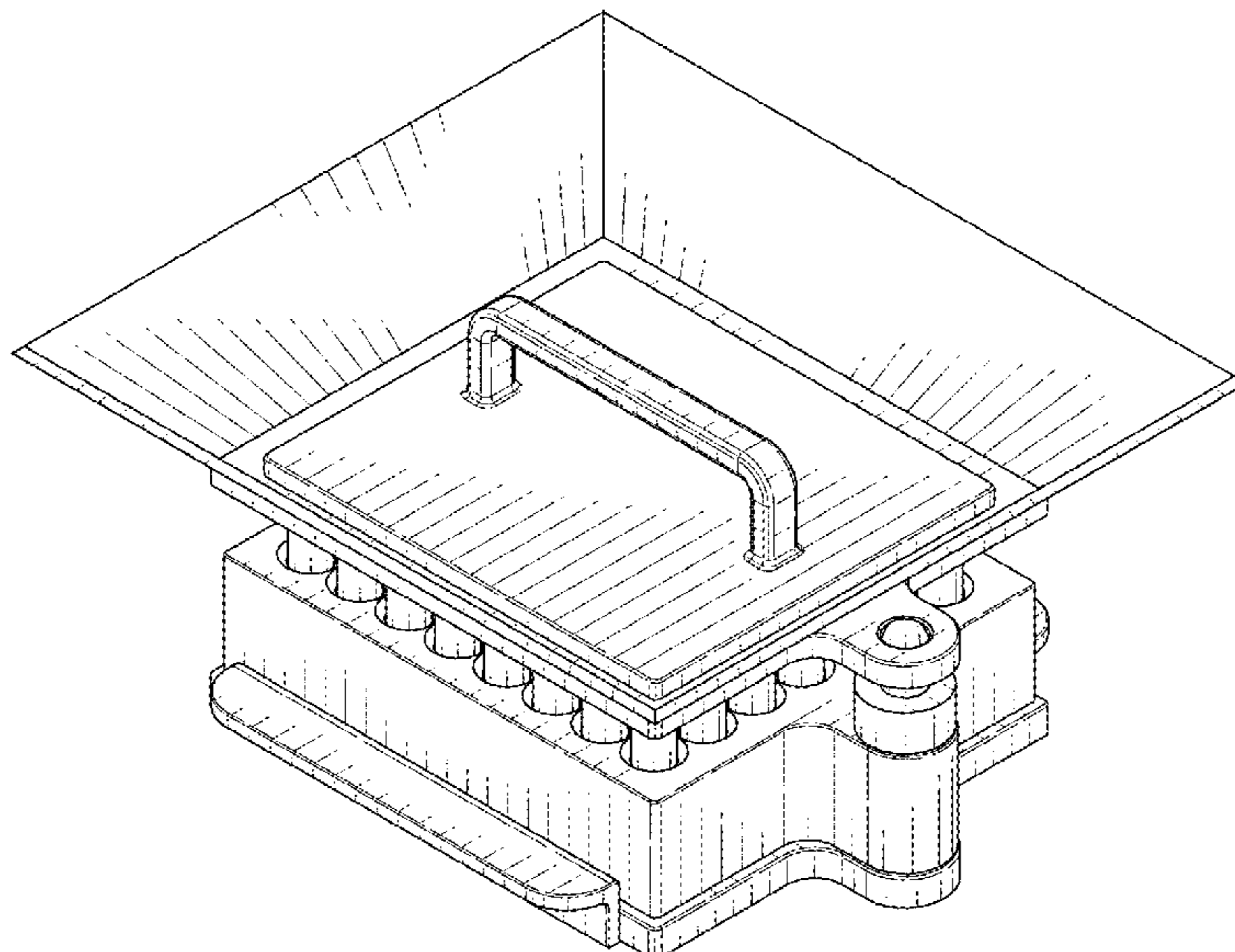
(57) **CLAIM**

The ornamental design for a cartridges filling system, substantially as shown and described.

DESCRIPTION

FIG. 1 is a top, front isometric view of a cartridges filling system.
FIG. 2 is a front and rear view thereof.
FIG. 3 is a right and left side view thereof.
FIG. 4 is a top view thereof; and,
FIG. 5 is an exploded isometric view thereof.

1 Claim, 4 Drawing Sheets



(56)

References Cited

U.S. PATENT DOCUMENTS

2005/0076969 A1 4/2005 Tahil et al.
2006/0248857 A1 11/2006 Senesi
2008/0216312 A1 9/2008 Williams et al.
2009/0288375 A1 11/2009 Pagani
2011/0259467 A1 10/2011 Maness
2013/0014471 A1 1/2013 Tahil et al.
2013/0068348 A1 3/2013 Sanchez
2018/0134423 A1 5/2018 Narvekar et al.
2018/0217174 A1* 8/2018 Malinowski G01N 35/04
2018/0224476 A1* 8/2018 Birrer B65G 54/02
2019/0086433 A1* 3/2019 Hermann B65G 43/00
2019/0127102 A1 5/2019 Chudy et al.
2020/0015516 A1 1/2020 Simpson et al.

OTHER PUBLICATIONS

European Patent Office, Extended European Search Report dated Jul. 1, 2020 for European Patent Application No. 19207649.5, seven pages.

* cited by examiner

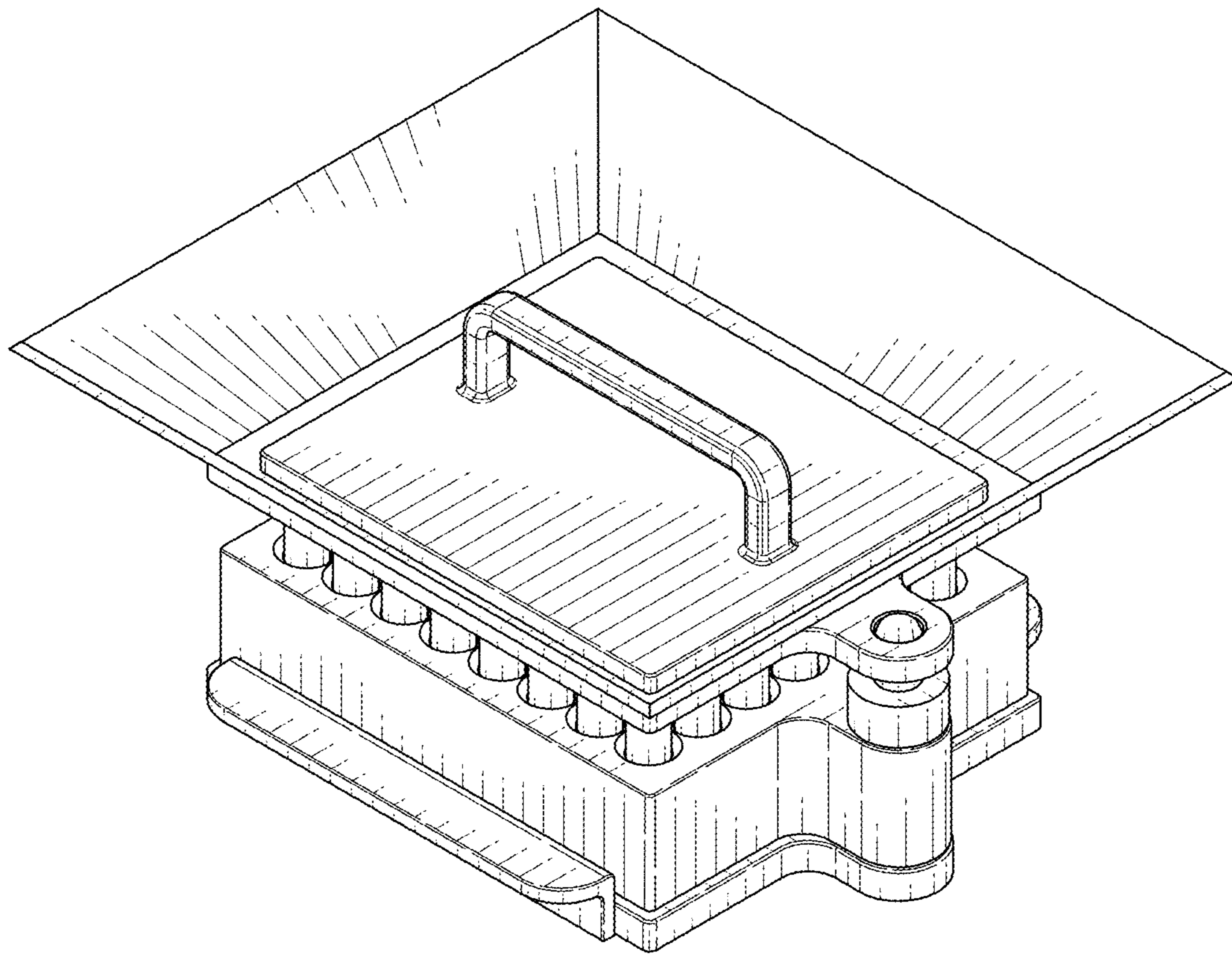


FIG. 1

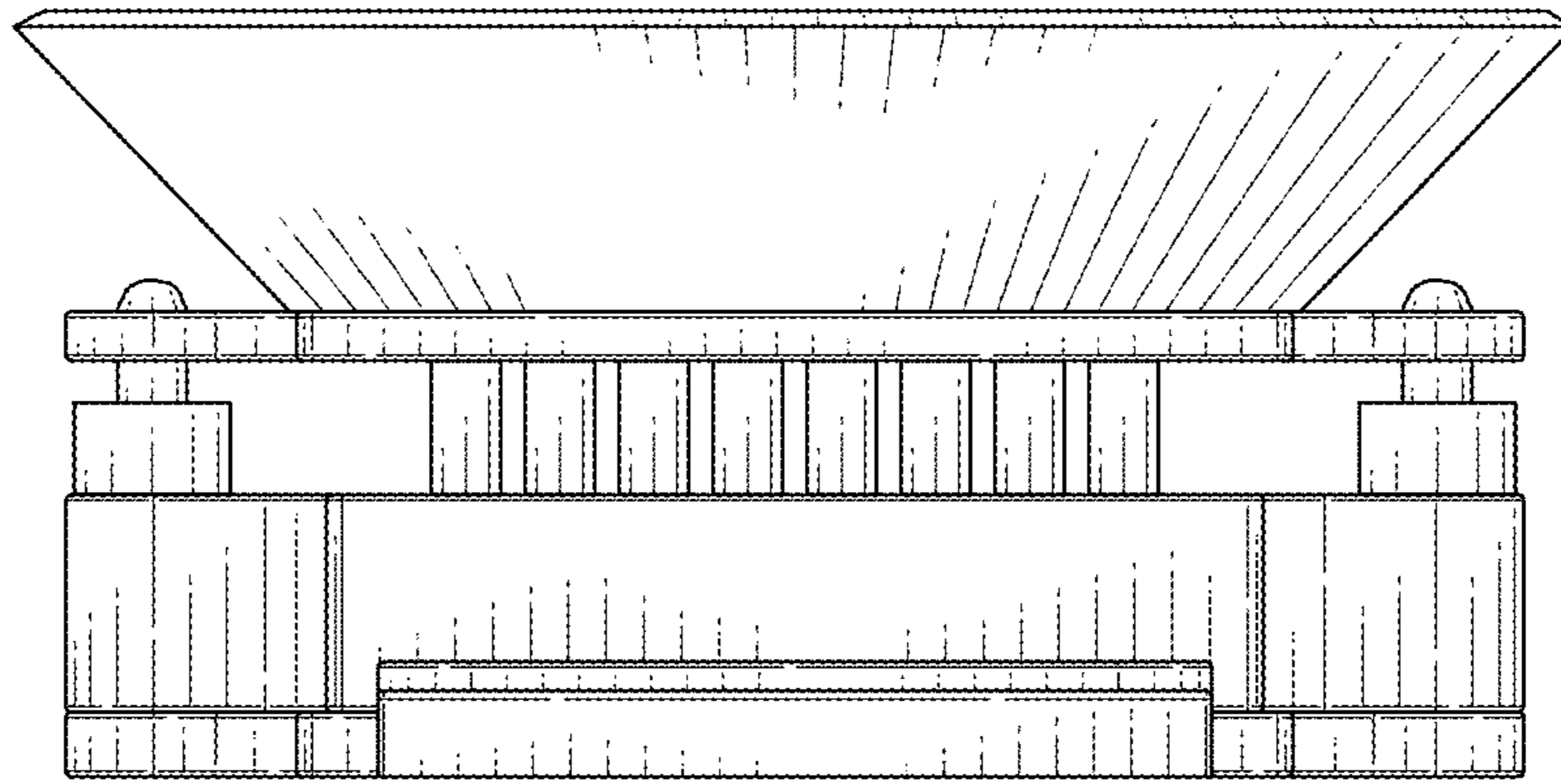


FIG. 2

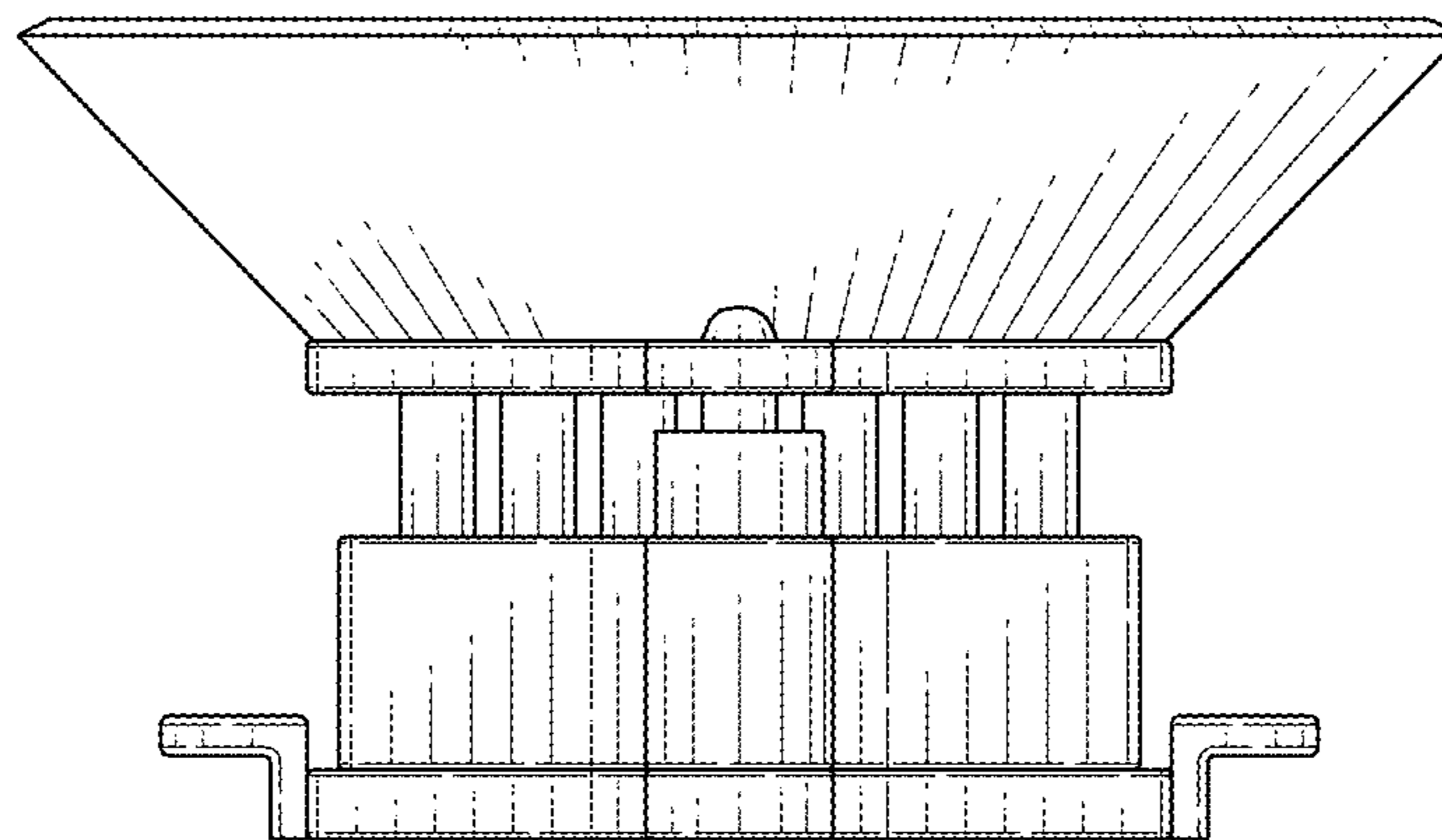


FIG. 3

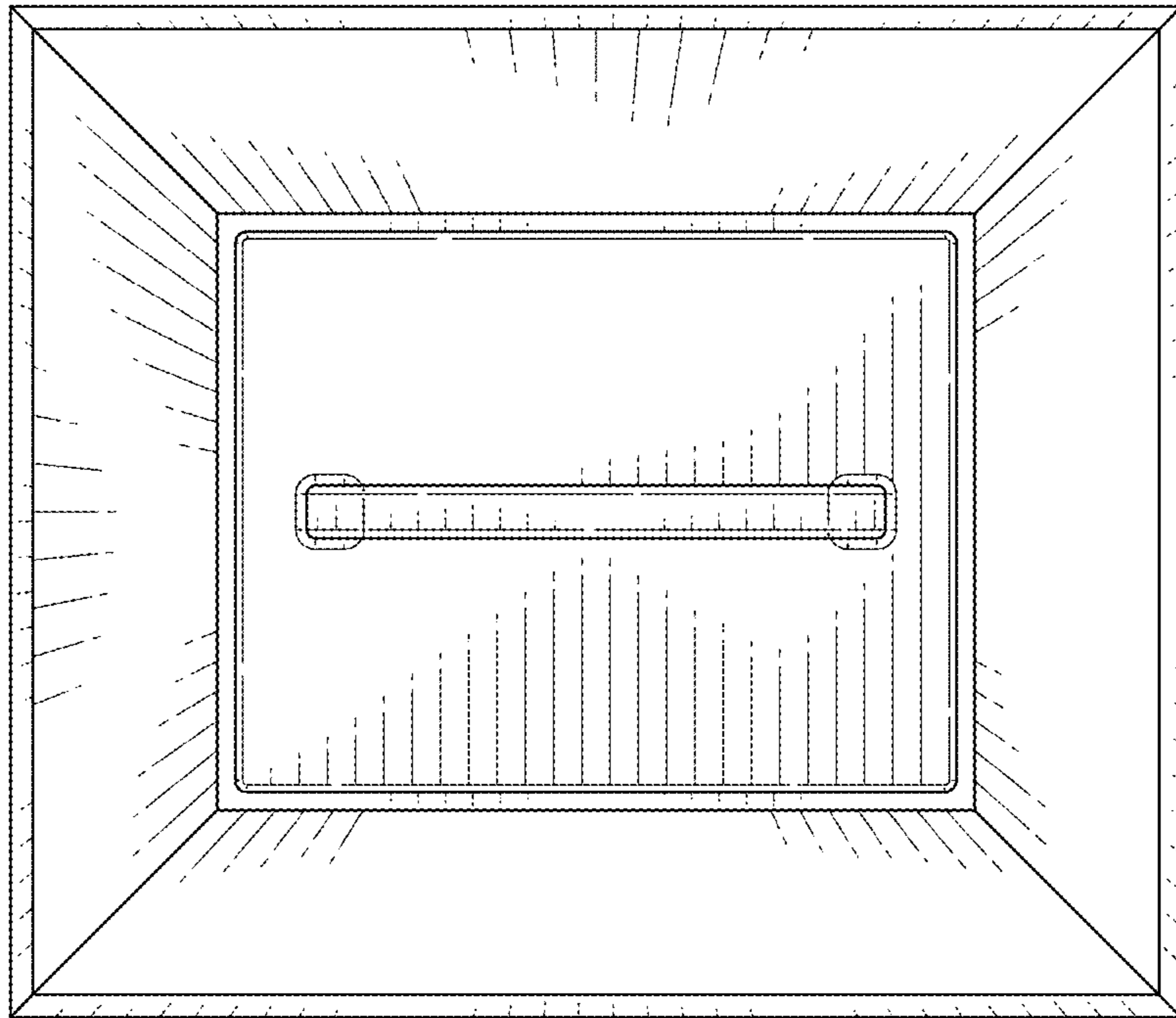


FIG. 4

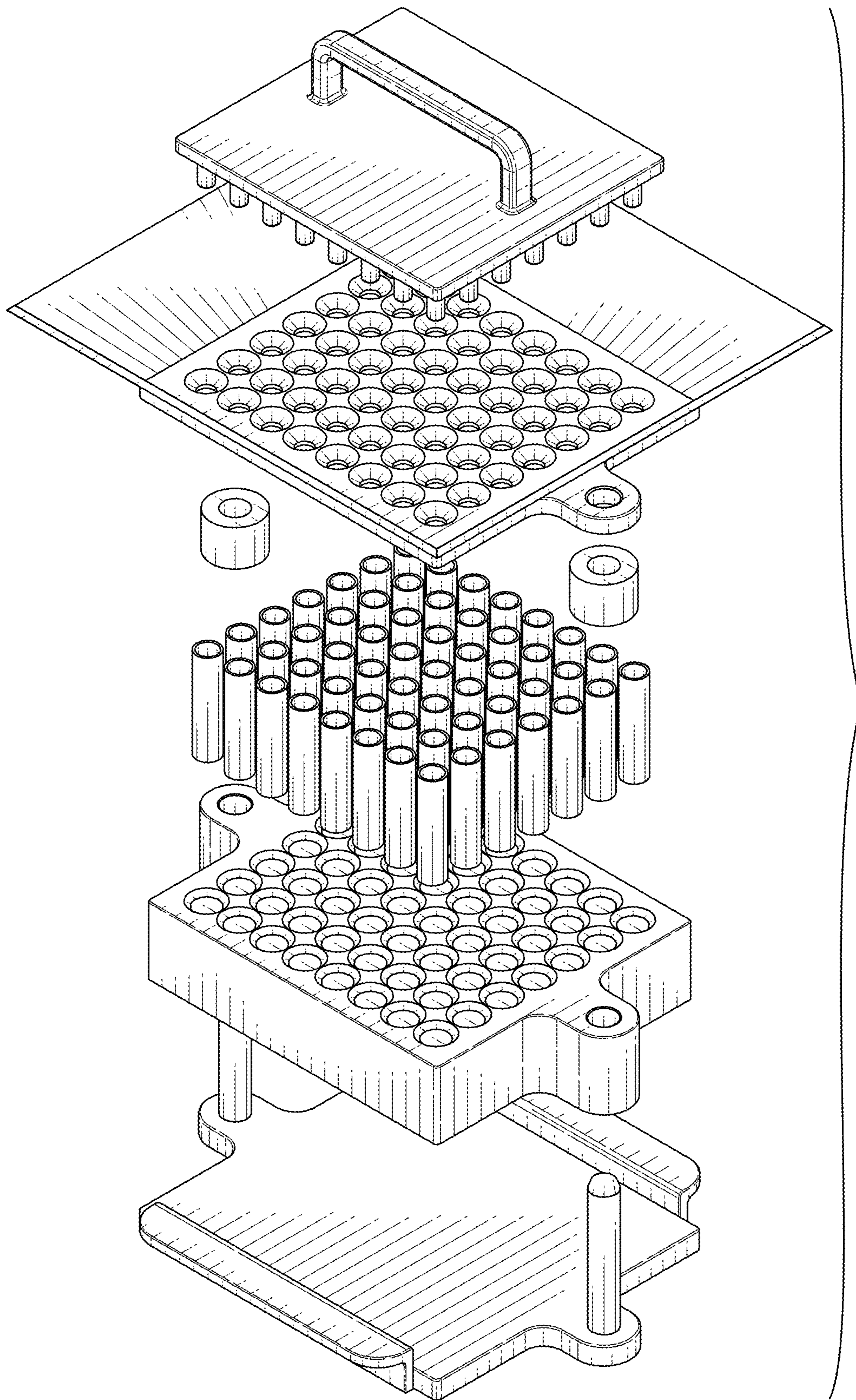


FIG. 5