



US00D962536S

(12) **United States Design Patent** (10) **Patent No.:** **US D962,536 S**
Bowen et al. (45) **Date of Patent:** **** Aug. 30, 2022**

(54) **VAPORIZER DEVICE WITH CARTRIDGE**
(71) Applicant: **JUUL Labs, Inc.**, San Francisco, CA (US)
(72) Inventors: **Adam Bowen**, San Mateo, CA (US); **James Monsees**, San Francisco, CA (US); **Steven Christensen**, Burlingame, CA (US); **Christopher Nicholas HibmaCronan**, Oakland, CA (US); **Joshua Morenstein**, San Francisco, CA (US)
(73) Assignee: **JUUL Labs, Inc.**, San Francisco, CA (US)

(**) Term: **15 Years**
(21) Appl. No.: **29/727,216**
(22) Filed: **Mar. 9, 2020**

Related U.S. Application Data

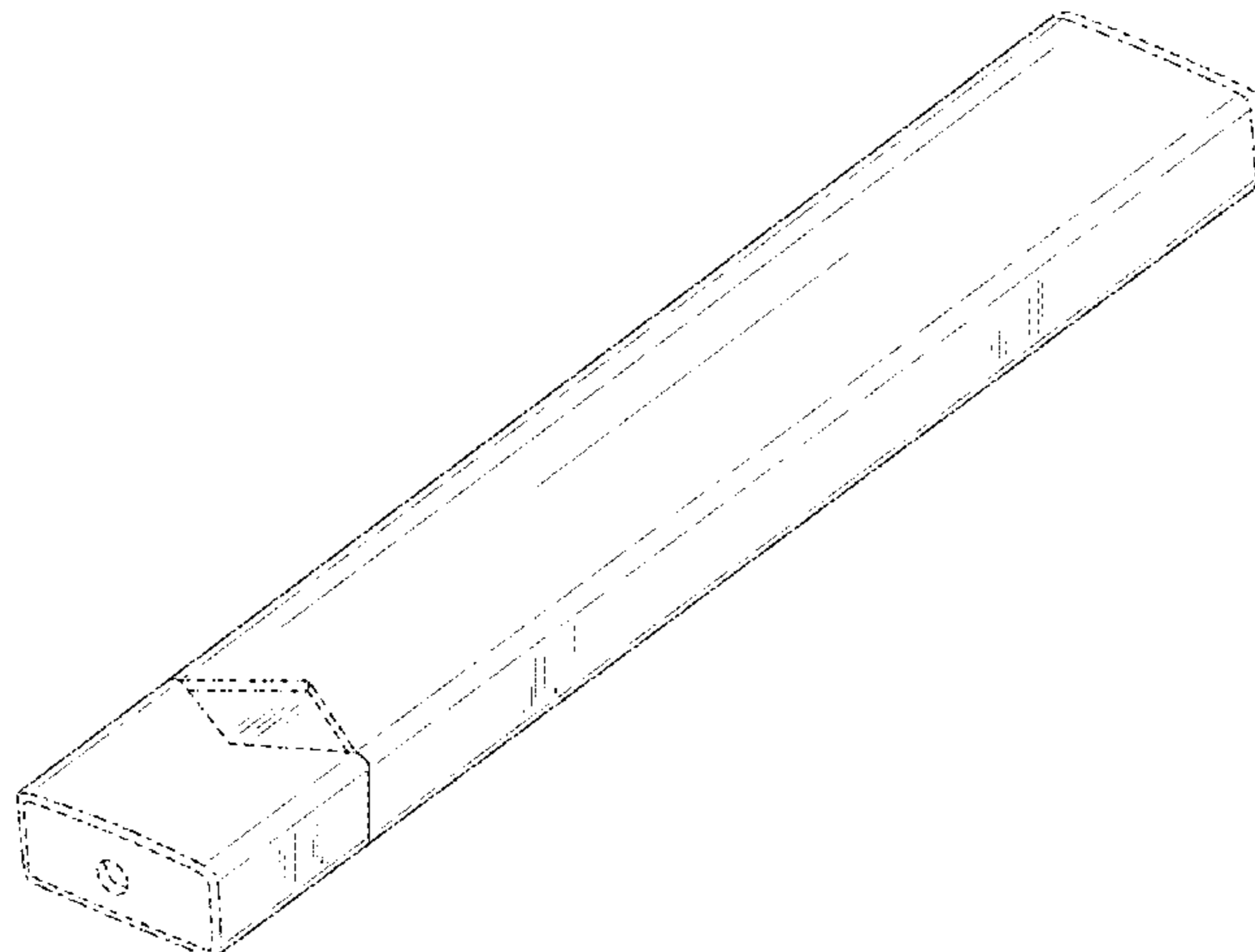
(63) Continuation of application No. 29/542,362, filed on Oct. 13, 2015, now Pat. No. Des. 877,971, which is a continuation of application No. 29/499,018, filed on Aug. 11, 2014, now abandoned.
(51) **LOC (13) Cl.** **27-02**
(52) **U.S. Cl.**
USPC **D27/162**
(58) **Field of Classification Search**
USPC D27/162, 100, 101, 163-165, 167, 172, D27/174, 183, 185-194; D24/110, 110.5; D23/366; D13/103, 107-109; D14/358, D14/483, 484.1
CPC A24F 47/002; A24F 47/006; A24F 47/008; A61M 15/00; A61M 15/06
See application file for complete search history.

(56) **References Cited**

U.S. PATENT DOCUMENTS

D143,295 S 12/1945 Fisher
D260,690 S 9/1981 Stutzer

D267,590 S 1/1983 Varma
D280,494 S 9/1985 Abel
D299,066 S 12/1988 Newell et al.
D303,722 S 9/1989 Marlow et al.
D310,349 S 9/1990 Rowen
D336,346 S 6/1993 Miller et al.
D346,581 S 5/1994 Tattari
D368,552 S 4/1996 Adams
D371,633 S 7/1996 Chenard
D379,810 S 6/1997 Giordano, Jr. et al.
D382,146 S 8/1997 Sandy
D397,504 S 8/1998 Zelenik
D398,150 S 9/1998 Vonarburg
D405,007 S 2/1999 Naas, Sr.
D411,332 S 6/1999 Zelenik
D412,279 S 7/1999 Brice
D422,884 S 4/2000 Lafond
D424,236 S 5/2000 Reed
D433,532 S 11/2000 Higgins et al.
D450,313 S 11/2001 Koinuma
D450,662 S 11/2001 Kwok
D478,569 S 8/2003 Hussaini et al.
D478,897 S 8/2003 Tsuge
6,743,030 B2 6/2004 Lin et al.
D500,301 S 12/2004 Deguchi
D500,302 S 12/2004 Deguchi
D500,485 S 1/2005 Deguchi
D505,922 S 6/2005 Mayo et al.
D506,447 S 6/2005 Mayo et al.
D506,731 S 6/2005 Mayo et al.
D507,244 S 7/2005 Mayo et al.
D523,171 S 6/2006 Mitten et al.
D525,948 S 8/2006 Blair et al.
D528,992 S 9/2006 Hobart et al.
D529,044 S 9/2006 Andre et al.
D530,340 S 10/2006 Andre et al.
D531,190 S 10/2006 Lee et al.
D532,927 S 11/2006 Sann
D534,921 S 1/2007 Andre et al.
D535,261 S 1/2007 Daniels
D535,308 S 1/2007 Andre et al.
D539,813 S 4/2007 Chen
D540,749 S 4/2007 Kaule
7,214,075 B2 5/2007 He et al.
D545,303 S 6/2007 Chang
D545,904 S 7/2007 Chen et al.
D546,782 S 7/2007 Poulet et al.
7,275,941 B1 10/2007 Bushby
D556,154 S 11/2007 Poulet et al.
D557,209 S 12/2007 Ahlgren et al.
D558,060 S 12/2007 Sir
D568,298 S 5/2008 Lundgren et al.
D571,556 S 6/2008 Raile



US D962,536 S

D573,474 S	7/2008	Beam et al.	D763,203 S	8/2016	Ikegaya et al.
D576,619 S	9/2008	Udagawa et al.	D763,204 S	8/2016	Ikegaya et al.
D577,019 S	9/2008	Udagawa et al.	D766,873 S	9/2016	Washio
D577,150 S	9/2008	Bryman et al.	D768,920 S	10/2016	Jones et al.
D585,077 S	1/2009	Sheba et al.	D769,830 S	10/2016	Clymer et al.
D589,941 S	4/2009	Maier et al.	D770,395 S	11/2016	Clymer et al.
D591,758 S	5/2009	Lee	D773,114 S	11/2016	Leidel et al.
D607,403 S	1/2010	Hara et al.	D773,115 S	11/2016	Liu
D610,588 S	2/2010	Chen	D773,727 S	12/2016	Eksouzian
D611,409 S	3/2010	Green et al.	D774,514 S	12/2016	Turksu et al.
D616,753 S	6/2010	Beam et al.	D776,338 S	1/2017	Lomeli
D624,880 S	10/2010	Felegy, Jr. et al.	D779,677 S	2/2017	Chen
D631,055 S	1/2011	Gilbert et al.	D779,719 S	2/2017	Qui
D631,458 S	1/2011	Liao et al.	D780,179 S	2/2017	Bae et al.
D634,735 S	3/2011	Maier	D792,957 S	7/2017	Starkenburg
7,905,236 B2	3/2011	Bryman et al.	D793,004 S	7/2017	Liu
D639,303 S	6/2011	Ni et al.	D799,746 S	10/2017	Leidel et al.
D639,782 S	6/2011	Kim	D802,206 S	11/2017	Huang et al.
D641,718 S	7/2011	Sakai	D806,311 S	12/2017	Smith
D645,817 S *	9/2011	Sasada D13/108	D811,003 S	2/2018	Folyan
D647,101 S	10/2011	Huang	D813,155 S	3/2018	Yamada
D647,247 S	10/2011	Jones	D815,346 S	4/2018	Bagai
D649,708 S	11/2011	Oneil	D819,881 S	6/2018	Qiu
D649,932 S	12/2011	Symons	D822,896 S	7/2018	Durand
D656,496 S	3/2012	Andre et al.	D825,102 S *	8/2018	Bowen D27/167
D661,991 S	6/2012	Brummelhuis et al.	10,058,124 B2	8/2018	Monsees et al.
D664,636 S	7/2012	Robinson et al.	D829,371 S	9/2018	Durand
D669,530 S	10/2012	Hung	D832,499 S	10/2018	Qiu
D670,659 S	11/2012	Ishikawa et al.	D832,500 S *	10/2018	Qiu D27/162
D670,711 S	11/2012	Ma	D834,702 S	11/2018	Evans et al.
D674,748 S	1/2013	Ferber et al.	D836,190 S	12/2018	Evans et al.
D676,741 S	2/2013	van Landsveld et al.	D836,831 S *	12/2018	Cividi D27/162
D681,445 S	5/2013	van Landsveld et al.	D836,834 S	12/2018	Cividi
D682,841 S	5/2013	Suetake et al.	D837,446 S	1/2019	Durand
D686,987 S	7/2013	Vanstone et al.	D842,237 S	3/2019	Qiu et al.
D687,042 S	7/2013	Yoneta et al.	D843,644 S	3/2019	Qiu
D700,572 S	3/2014	Esses	D844,229 S	3/2019	Sherwood
D703,679 S	4/2014	Chen	D844,235 S	3/2019	Cividi
D703,680 S	4/2014	Lin	D845,964 S	4/2019	Kim et al.
D704,629 S	5/2014	Liu	D855,251 S	7/2019	Qiu
D704,634 S	5/2014	Eidelman et al.	D859,735 S *	9/2019	Qiu D27/162
D705,918 S	5/2014	Robinson et al.	D860,519 S	9/2019	Cividi
D707,688 S	6/2014	Wu	D860,520 S *	9/2019	Cividi D27/162
D708,727 S	7/2014	Postma	D861,975 S *	10/2019	Bowen D27/162
D711,389 S	8/2014	Sun et al.	D865,276 S	10/2019	Pino et al.
D711,891 S	8/2014	Emami et al.	D866,852 S	11/2019	Cividi
D718,492 S	11/2014	Albanese	10,512,282 B2	12/2019	Bowen et al.
8,881,738 B2	11/2014	Bryman	D877,871 S	3/2020	Koppineedi et al.
D718,723 S	12/2014	Clymer et al.	D877,971 S *	3/2020	Bowen D27/101
D718,933 S	12/2014	Brown, Jr.	D887,970 S *	6/2020	Himeno D13/103
D723,735 S	3/2015	Liu	D888,934 S *	6/2020	Nguyen D24/110
D723,736 S	3/2015	Liu	D889,033 S *	6/2020	Murray D27/162
D723,737 S	3/2015	Liu	D890,769 S	7/2020	Bolotin
D724,037 S	3/2015	Yoshioka	D894,479 S *	8/2020	Cheung D27/162
D726,727 S	4/2015	Holz et al.	D895,197 S *	9/2020	Cheung D27/101
9,010,335 B1	4/2015	Scatterday	D902,474 S *	11/2020	Chen D27/101
D728,855 S	5/2015	Liu	D903,937 S *	12/2020	Chimbuya D27/162
D729,277 S	5/2015	Uchida	D903,938 S *	12/2020	Chimbuya D27/162
D729,444 S	5/2015	Leidel	D904,683 S *	12/2020	Kim D27/162
D729,445 S	5/2015	Leidel	D913,579 S *	3/2021	Bowen D27/162
D730,572 S	5/2015	Leidel	D913,583 S *	3/2021	Leon Duque D27/194
D731,114 S	6/2015	Leidel	D919,881 S *	5/2021	Carlberg D27/162
D733,356 S	6/2015	Leidel	D929,036 S *	8/2021	Leon Duque D27/194
D737,508 S	8/2015	Liu	D937,474 S *	11/2021	Qiu D27/162
D738,038 S	9/2015	Smith	2002/0088469 A1	7/2002	Rennecamp
D739,973 S	9/2015	Chao	2005/0029137 A1	2/2005	Wang
9,167,849 B2	10/2015	Adamic	2007/0089757 A1	4/2007	Bryman
D742,492 S	11/2015	Robinson et al.	2010/0163063 A1	7/2010	Fernando et al.
D743,099 S	11/2015	Oglesby	2014/0014124 A1	1/2014	Glasberg et al.
D744,342 S	12/2015	Blasko et al.	2014/0107815 A1	4/2014	LaMothe
D745,004 S	12/2015	Kim	2014/0161301 A1	6/2014	Merenda
D752,284 S	3/2016	Doster	2014/0178461 A1	6/2014	Rigas
D753,090 S	4/2016	Langhammer et al.	2015/0034507 A1	2/2015	Liu
D755,733 S	5/2016	Ikegaya et al.	2015/0245654 A1	9/2015	Memari et al.
D755,735 S	5/2016	Kashimoto	2015/0245655 A1	9/2015	Memari et al.
D756,032 S	5/2016	Chen	2015/0245657 A1	9/2015	Memari et al.
D757,690 S	5/2016	Lee et al.	2015/0245665 A1	9/2015	Memari et al.
D759,031 S	6/2016	Ozolins et al.	2015/0245666 A1	9/2015	Memari et al.
D760,431 S	6/2016	Liu	2015/0245667 A1	9/2015	Memari et al.

2015/0245668	A1	9/2015	Memari et al.
2015/0282526	A1	10/2015	Wu
2015/0305409	A1	10/2015	Verleur et al.
2015/0313283	A1	11/2015	Collett et al.
2015/0313287	A1	11/2015	Verleur et al.
2015/0320116	A1	11/2015	Bleloch et al.
2015/0351455	A1	12/2015	Liu
2015/0357608	A1	12/2015	Huang
2017/0119044	A1	5/2017	Oligschlaeger et al.
2017/0302324	A1	10/2017	Stanimirovic et al.
2019/0037926	A1	2/2019	Qiu

FOREIGN PATENT DOCUMENTS

CN	301111821	S	1/2010
CN	301547686	S	5/2011
CN	301604882	S	7/2011
CN	301753038	S	12/2011
CN	301797114	S	1/2012
CN	301955679	S	6/2012
CN	301970169	S	6/2012
CN	302396126	S	4/2013
CN	302485056	S	6/2013
CN	302660481	S	11/2013
CN	302660490	S	11/2013
CN	302680448	S	12/2013
CN	302783596	S	4/2014
CN	302799554	S	4/2014
CN	302803209	S	4/2014
CN	302810246	S	4/2014
CN	302814868	S	5/2014
CN	302859209	S	6/2014
CN	302884434	S	8/2014
CN	302926289	S	8/2014
CN	302950830	S	9/2014
CN	303044212	S	12/2014
CN	303091330	S	1/2015
CN	303091331	S	1/2015
CN	303103391	S	2/2015
CN	303210086	S	5/2015
CN	303332720	S	8/2015
CN	303103389	S	11/2015
CN	303457556	S	11/2015
CN	303568163	S	1/2016
CN	303574274	S	1/2016
CN	303103390	S	2/2016
CN	303686002	S	5/2016
CN	303721535	S	6/2016
JP	D1144098	S	6/2002
JP	D1315127	S	11/2007
KR	30-0825216	S	11/2015
WO	WO-D79112-0010	S	12/2012
WO	WO-2015100361	A1	7/2015
WO	WO-2017173951	A1	10/2017

OTHER PUBLICATIONS

Juul E-Cigarette By: Skinit found on Amazon (Dec. 8, 2021) https://www.amazon.com/Skinit-Royal-Premium-Wraps-Device/dp/B07FDLHN49/ref=sr_1_3?keywords=juul+electronic+cigarette&qid=1639013427&sr=8-3 (Jun. 10, 2018).*

Discount Office Supplies Office Paper Products Legal Supplies [www.bulkofficesupply.com/Products/Baumgartens-Single-Hole-](http://www.bulkofficesupply.com/Products/Baumgartens-Single-Hole-Trap-Door-Pencil-Sharpener-with-Eraser_BAU19550.aspx)

Trap-Door-Pencil-Sharpener-with-Eraser_BAU19550.aspx retrieved Mar. 17, 2019.

Rose Plastic. Rose Plastic: Innovations in Plastic Packaging www.rose-plastic.com/2030.0.html?&L=4?id=2337id=2345iel25%world-wide+unique+plastic+packaging+with+remarkable+diversity retrieved Mar. 17, 2019.

Cedar Board by the home depot, <https://www.homedepot.com/p/1-in-x-4-in-x-8-ft-S1S2E-Cedar-Board-6-Pack-WRC148T6PK/300194383>.

Electronic Vaporization Device | JUUL Vapor Available from Internet <https://www.juulvapor.com/shop-juul/>, visited Nov. 24, 2015.

German Straight Razor box <https://www.bing.com/videos/search?q=straight+razor+cardboard+box&&view=detail&mid=4EFBC9664DDFEA73A2974EFBC9664DDFEA73A297&&FORM=VRDGAR>.

Making a box for my Straight Razor <https://www.youtube.com/watch?v=Z7iAx2QoKD0>.

Pentel Multi 8 Color Lead Refill by Pentel on Amazon, earliest review dated Nov, 7 2014. found online [Mar. 22, 2019] https://www.amazon.com/Pentel-Multi-Refill-VioletH2-V/dp/B00KQTBPCW/ref=sr_1_15?keywords=Pentel+Multi+8&qid=1558643586&s=gateway&sr=8-15V/dp/B00KQTBPCW/ref=sr_1_15?keywords=Pentel+Multi+8&qid=1558643586&s=gateway&sr=8-15.

Super Strong Rare Earth Neodymium Magnet By besttool2019 sale date Nov. 15 2018 found online.

Walnut and cocobolo razor coffin pics, <https://sharprazorpalace.com/show-tell/57238-walnut-cocobolo-razor-coffin-pics.html>.

WSP Traditional Straight Razor Coffin by WSP. earliest review dated Jul. 7, 2015. found online [Mar. 18, 2019] https://www.amazon.com/WSP-Traditional-Straight-Razoroffin/dp/B00FL2R4BA/ref=sr_1_fknull_3?keywords=WSP+Traditional+Straight+razor+coffin&qid=1558643115&s=gateway&sr=8-3-fknull.

* cited by examiner

Primary Examiner — Rebecca Tsehaye
(74) *Attorney, Agent, or Firm* — Mintz, Levin, Cohn, Ferris, Glovsky and Popeo, P.C.

(57) **CLAIM**

The ornamental design for a vaporizer device with cartridge, as shown and described.

DESCRIPTION

FIG. 1 is a perspective view of a vaporizer device with cartridge, showing our new design;
FIG. 2 is a front elevation view thereof;
FIG. 3 is a left side elevation view thereof;
FIG. 4 is a top plan view thereof;
FIG. 5 is a right side elevation view thereof;
FIG. 6 is a bottom plan view thereof; and,
FIG. 7 is a rear elevation view thereof.

The dash-dash broken lines show portions of the vaporizer device with cartridge that form no part of the claimed design. The dash-dot broken lines illustrate boundary lines that form no part of the claimed design.

1 Claim, 7 Drawing Sheets

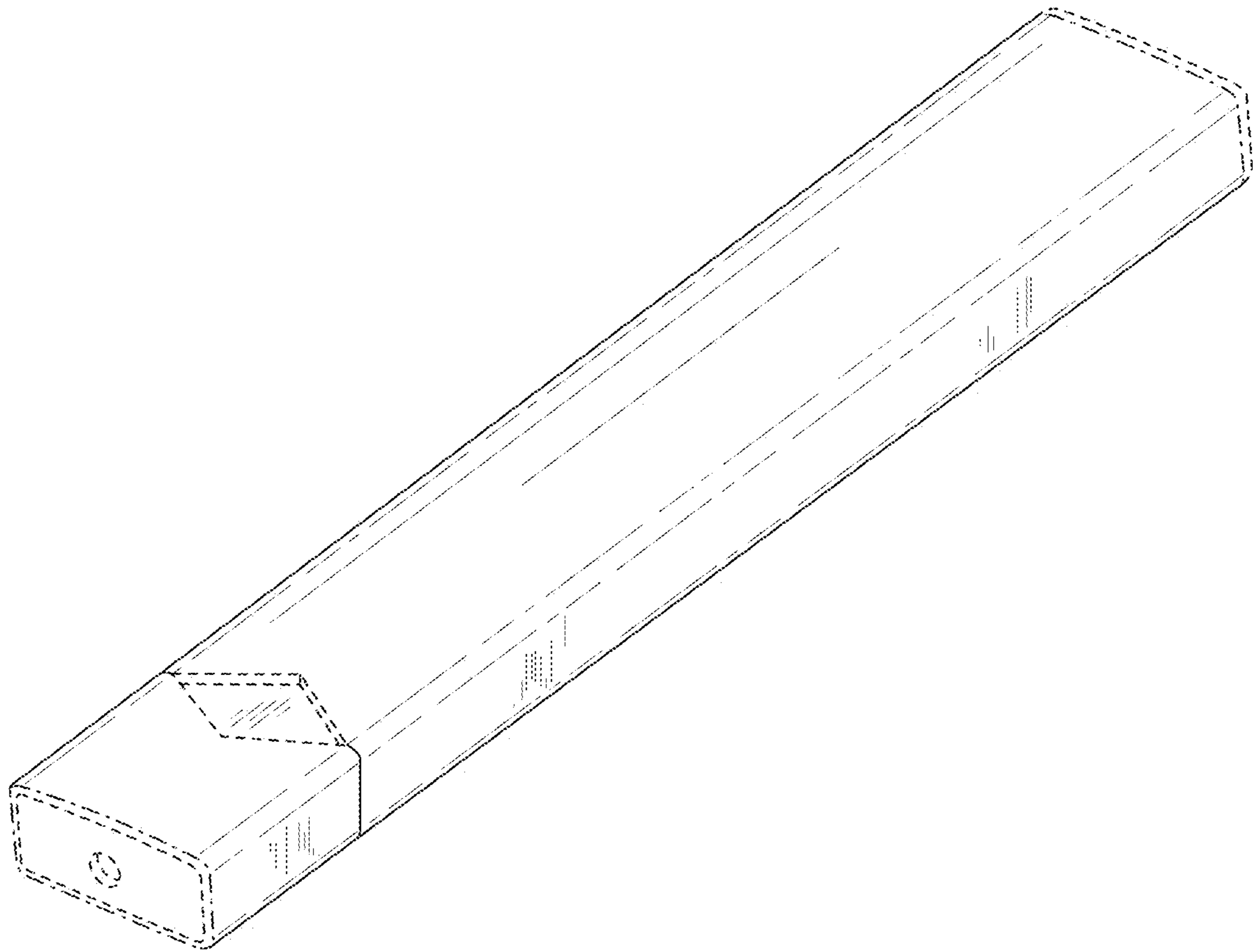


FIG. 1



FIG. 2

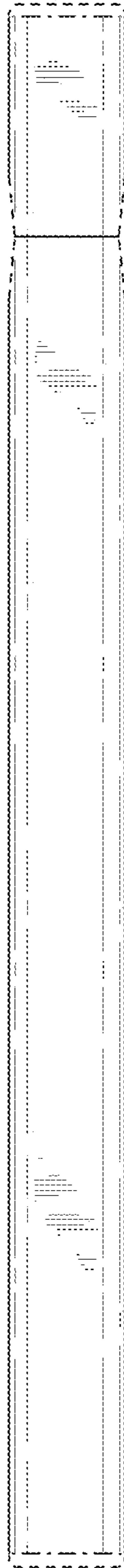


FIG. 3

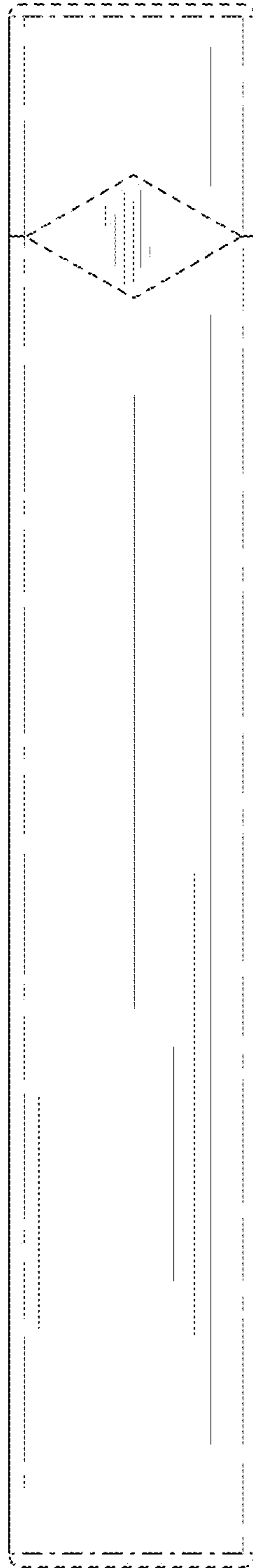


FIG. 4

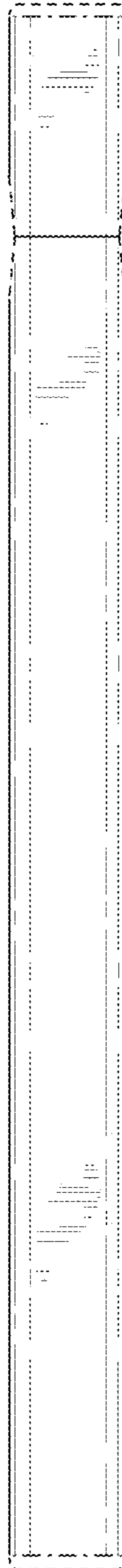


FIG. 5

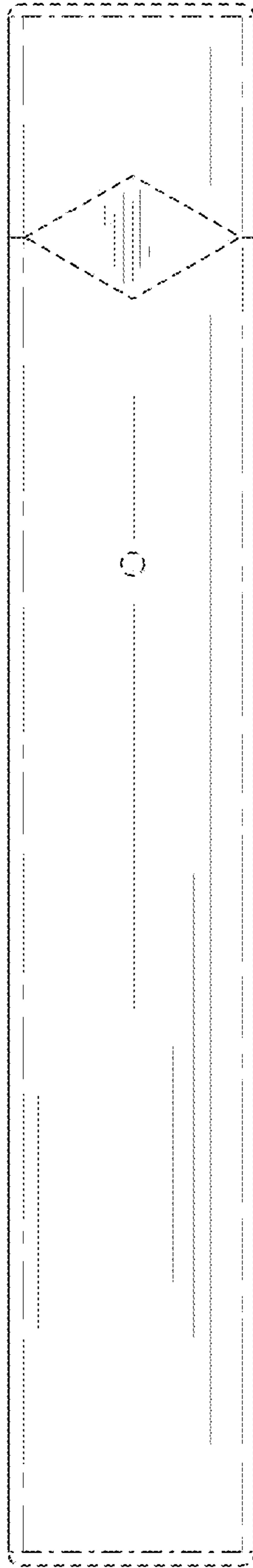


FIG. 6

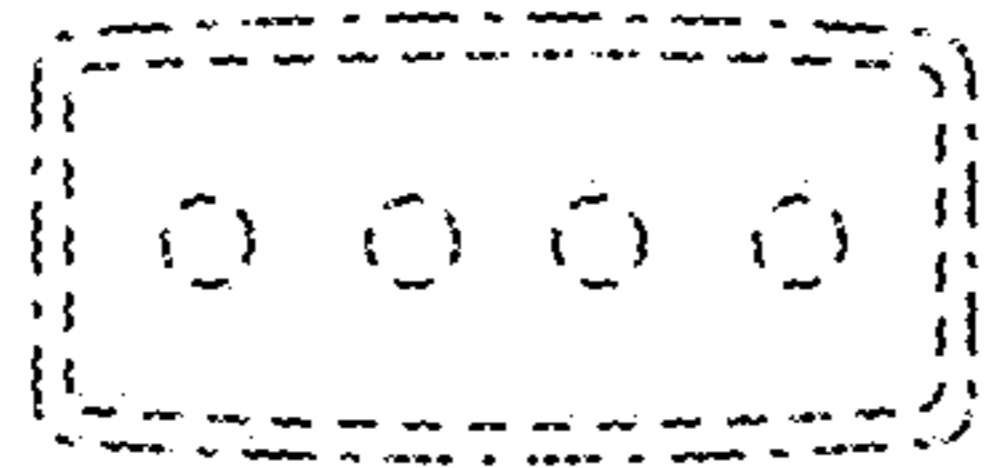


FIG. 7