



US00D962535S

(12) **United States Design Patent** (10) **Patent No.:** **US D962,535 S**
McRoberts (45) **Date of Patent:** **** Aug. 30, 2022**

(54) **LIGHT FIXTURE**

(71) Applicant: **Hunter Fan Company**, Memphis, TN (US)

(72) Inventor: **Claire Bernice McRoberts**, La Jolla, CA (US)

(73) Assignee: **Hunter Fan Company**, Memphis, TN (US)

(**) Term: **15 Years**

(21) Appl. No.: **29/733,255**

(22) Filed: **Apr. 30, 2020**

(51) **LOC (13) Cl.** **26-05**

(52) **U.S. Cl.**
USPC **D26/142**

(58) **Field of Classification Search**
USPC D26/24, 72, 74, 81-84, 88, 93, 113, 138, D26/142, 80, 85, 86, 87, 89, 90, 118, D26/143, 144; D9/549, 772, 776, 779; D7/523, 615
CPC F21S 8/065; F21S 8/033; F21S 8/06; F21S 8/061
See application file for complete search history.

(56) **References Cited**

U.S. PATENT DOCUMENTS

D394,323 S *	5/1998	West	D26/63
D473,002 S	4/2003	Hoernig		
D589,189 S	3/2009	Sabernig		
D595,888 S	7/2009	Sabernig		
D596,335 S	7/2009	Sabernig		
D603,552 S	11/2009	Kampe		
D608,934 S *	1/2010	Sabernig	D26/84
D617,030 S	6/2010	Sabernig		
D620,179 S	7/2010	Sabernig		
D630,365 S	1/2011	Sabernig		
D655,447 S *	3/2012	Sabernig	D26/113
D659,884 S	5/2012	Sabernig		
D688,409 S *	8/2013	Wick	D26/90

D750,437 S *	3/2016	Katterheinrich	D7/523
D773,714 S *	12/2016	Sonneman	D26/84
D774,680 S *	12/2016	Vidmar	D26/84
D799,736 S	10/2017	Hendifar et al.		
D828,617 S *	9/2018	Sonneman	D26/118

(Continued)

FOREIGN PATENT DOCUMENTS

CN	304850695 U	10/2018
GB	4039179 *	2/2016

OTHER PUBLICATIONS

Hunter Fan Company 19006 Devon Park Candlestick Onyx Finish Bengal, reference by Amazon.com, announced Nov. 22, 2019, [site visited Dec. 2, 2021], Internet URL: <https://www.amazon.com/Hunter-Lighting-19006-Chandelier-5-Light/dp/B081V3TLPC?th=1> (Year: 2019).*

(Continued)

Primary Examiner — Marissa J Cash
Assistant Examiner — Liv C Anderson
(74) *Attorney, Agent, or Firm* — McGarry Bair PC

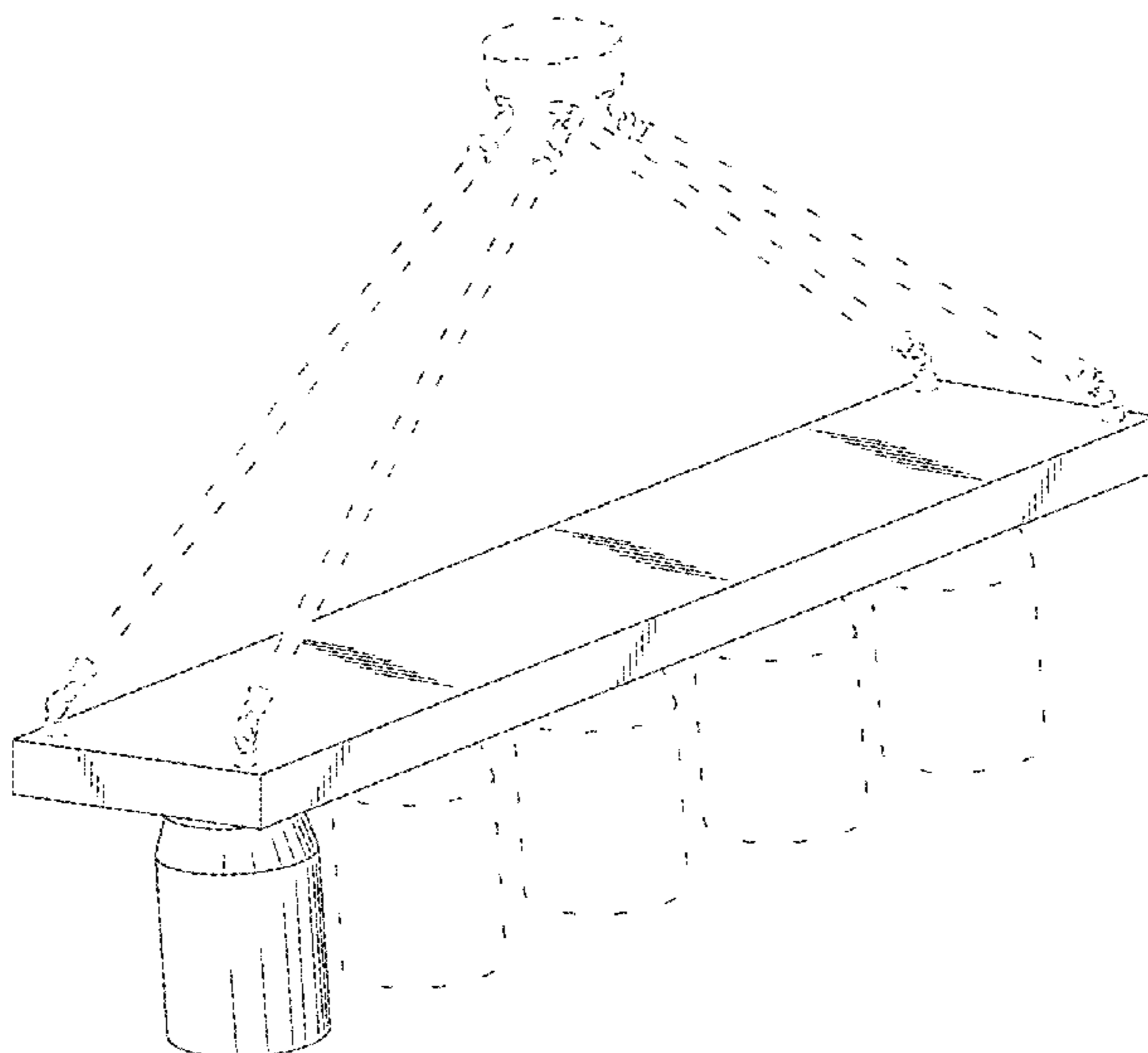
(57) **CLAIM**

The ornamental design for a light fixture, as shown and described.

DESCRIPTION

FIG. 1 is a top perspective view of a light fixture, showing my new design;
FIG. 2 is a bottom perspective view thereof;
FIG. 3 is a top view thereof;
FIG. 4 is a bottom view thereof;
FIG. 5 is a front view thereof; and,
FIG. 6 is a side view thereof.
Portions of the light fixture are shown in broken lines. Portions shown in broken lines form no part of the claimed design.

1 Claim, 6 Drawing Sheets



(56)

References Cited

U.S. PATENT DOCUMENTS

D829,971 S	*	10/2018	Sonneman	D26/138
D830,620 S		10/2018	Sonneman		
D838,407 S	*	1/2019	Sonneman	D26/118
D851,317 S	*	6/2019	Orozco	D26/81
D857,971 S	*	8/2019	Yu	D26/90
D877,394 S	*	3/2020	Amato	D26/88
D877,959 S	*	3/2020	Birchfield	D26/81
D894,457 S	*	8/2020	McRoberts	D26/59
D929,646 S	*	8/2021	O'Connell	D26/142
2019/0162376 A1	*	5/2019	Sonneman	F21V 23/02

OTHER PUBLICATIONS

Devon Park 1—Light Single Jar Pendant, reference by Hunter Fan on wayfair.com, oldest online review date Jan. 15, 2020 [online], internet URL: <https://www.wayfair.com/lighting/pdp/hunter-fan-devon-park-1-light-single-jar-pendant-htf10145.html?piid=46286965> (Year: 2020).*

Platten 4—Light 9" Chandelier Style Cone Flush Mount, reference by Gracie Oaks on wayfair.com, oldest review date Feb. 22, 2020 [online], internet URL: <https://www.wayfair.com/lighting/pdp/gracie-oaks-platten-4-light-9-chandelier-style-cone-flush-mount-w002097114.html?piid=> (Year: 2020).*

Elway 7-Light Barnwood with Galvanized Steel Chandelier, reference by Westinghouse on homedepot.com, oldest question date Mar. 20, 2018 [online], internet URL: <https://www.homedepot.com/p/Westinghouse-Elway-7-Light-Barnwood-with-Galvanized-Steel-Chandelier-6351500/305959850> (Year: 2018).*

[Goncalves 8—Light Square/Rectangle Chandelier], available in wayfair.com, oldest review date Jun. 15, 2019 [online], internet URL: <https://www.wayfair.com/lighting/pdp/gracie-oaks-goncalves-8-light-square-rectangle-chandelier-w004780057.html?piid=> (Year: 2019).*

[Mast Collection 4-Light Linear Chandelier, Antique Bronze], available in houzz.com, oldest review date Nov. 3, 2019 [online], internet URL: <https://www.houzz.com/products/mast-collection-4-light-linear-chandelier-antique-bronze-prvw-vr~144758828> (Year: 2019).*

https://www.lampsplus.com/products/kichler-brinley-11-inch-wide-brushed-nickel-3-light-ceiling-light_1k184.html, Kichler Brinley 11" with Brushed Nickel 3-Light Ceiling Light, Style No. 1K184, accessed Apr. 29, 2020.

https://www.lampsplus.com/products/small-bell-5-inch-wide-black-and-brass-adjustable-ceiling-light_40x85.html, Lamps Plus Small Bell 5" Wide Black and Brass Adjustable Ceiling Light, Style No. 40X85, accessed Apr. 29, 2020.

https://www.lampsplus.com/products/mitzi-neko-5-and-one-half-inch-wide-aged-brass-ceiling-light_46m86.html, Lamps Plus Mitzi Neko 5½" Wide Aged Brass Ceiling Light, Style No. 46M86, accessed Apr. 29, 2020.

https://www.lampsplus.com/products/devonshire-6-inch-wide-brass-and-glass-ceiling-light_65m24.html, Lamps Plus Devonshire 6" Wide Brass and Glass Ceiling Light, Style No. 65M24, accessed Apr. 29, 2020.

https://www.lampsplus.com/products/large-cone-8-inch-wide-polished-nickel-adjustable-ceiling-light_40y18.html, Lamps Plus Large Cone 8" Wide Polished Nickel Adjustable Ceiling Light, Style No. 40Y18, accessed Apr. 29, 2020.

https://www.lampsplus.com/products/hamel-7-inch-wide-oil-rubbed-bronze-and-clear-glass-ceiling-light_36e10.html, Lamps Plus Hamel 7" wide Oil Rubbed Bronze and Clear Glass Ceiling Light, Style No. 36E10, accessed Apr. 29, 2020.

<https://www.kichler.com/kichler/products/indoor-lighting/pendants/mini-pendants/montauk-1-light-mini-pendant-lbl/>, Kichler Montauk 1 Light Mini Pendant Light Blue, Model No. 44306BL, accessed Apr. 29, 2020.

<https://www.kichler.com/kichler/products/indoor-lighting/pendants/mini-pendants/1-light-modena-mini-pendant-brushed-nickel/>, Kichler Modena 1 Light Mini Pendant Brushed Nickel, Model No. 3030NI, accessed Apr. 29, 2020.

<https://www.kichler.com/kichler/products/indoor-lighting/pendants/mini-pendants/1-light-reynes-mini-pendant-in-chrome/>, Kichler Reynes 1 Light Mini Pendant Chrome, Model No. 42123CH, accessed Apr. 29, 2020.

<https://www.kichler.com/kichler/products/indoor-lighting/chandeliers/linear-chandeliers/tiers-5-light-linear-chandelier-clp/>, Kichler Tiers 5 Light Linear Chandelier Classic Pewter, Model No. 44124CLP, accessed Apr. 29, 2020.

<https://www.kichler.com/kichler/products/indoor-lighting/pendants/mini-pendants/winslow-1-light-mini-pendant-ni/>, Kichler Winslow 1 Light Mini Pendant Brushed Nickel, Model No. 44032NI, accessed Apr. 29, 2020.

<https://www.kichler.com/kichler/products/indoor-lighting/pendants/kitchen-island-pendants/ayse-4-light-linear-pendant/>, Kichler Ayse 4 Light Linear Pendant Matte Black, Model No. 84127, accessed Apr. 29, 2020.

<https://www.kichler.com/kichler/products/indoor-lighting/chandeliers/linear-chandeliers/ahrendale-5-light-linear-chandelier-avi/>, Kichler Ahrendale 5 Light Linear Chandelier Anvil Iron, Model No. 43590AVI, accessed Apr. 29, 2020.

<https://www.kichler.com/kichler/products/indoor-lighting/pendants/mini-pendants/clove-hitch-1-light-mini-pendant-c184be5f/>, Kichler Clove Hitch 1 Light Mini Pendant Weathered Zinc, Model No. 82295, accessed Apr. 29, 2020.

<https://www.kichler.com/kichler/products/indoor-lighting/pendants/mini-pendants/joelson-1-light-mini-pendant-ni/>, Kichler Joelson 1 Light Mini Pendant Brushed Nickel, Model No. 43927NI, accessed Apr. 29, 2020.

<https://www.minkagroup.net/4556-588.html>, Minka Group Island Light in Harvard Court Bronze with Gold Highlights, Model No. 4556-588, accessed Apr. 29, 2020.

[https://www.eglo.com/usa_eng/Products3/Main-Collections/Interior-Lighting/MONTEY/202127A/\(node_id\)/115532/\(offset\)/120](https://www.eglo.com/usa_eng/Products3/Main-Collections/Interior-Lighting/MONTEY/202127A/(node_id)/115532/(offset)/120), Eglo Montey Pendant Light, Model No. 202127A, accessed Apr. 29, 2020.

<https://hudsonvalleylighting.hvlgroup.com/Product/3240-OB>, Hudson Valley Charles 5 Light Chandelier, Model No. 3240-BO, accessed Apr. 29, 2020.

<https://hudsonvalleylighting.hvlgroup.com/Product/3421-PN>, Hudson Valley Windham Pendant Light in Polished Nickel, Model No. 3421-PN, accessed Apr. 29, 2020.

<https://hudsonvalleylighting.hvlgroup.com/Product/2321-PN>, Hudson Valley Riverton Pendant Light in Polished Nickel, Model No. 2321-PN, accessed Apr. 29, 2020.

<https://www.quoise.com/interior/chandeliers/squire-island-chandelier-sqr538rk>, Quoizel Squire Island Light, Galvanized, Model No. SKU-SQR538GV, accessed Apr. 29, 2020.

<https://www.quoise.com/interior/pendants/vaughn-mini-pendant-minipendantvghc1507>, Quoizel Vaughn Mini Pendant in Polished Nickel, Model No. SKU-VGHC1507BN, accessed Apr. 29, 2020.

<https://www.quoise.com/interior/ceiling-lighting/bethany-semi-flush-mount-qb5120bn>, Quoizel Bethany Semi-Flush Mount in Brushed Nickel, Model No. SKU-QF5120BN, accessed Apr. 29, 2020.

* cited by examiner

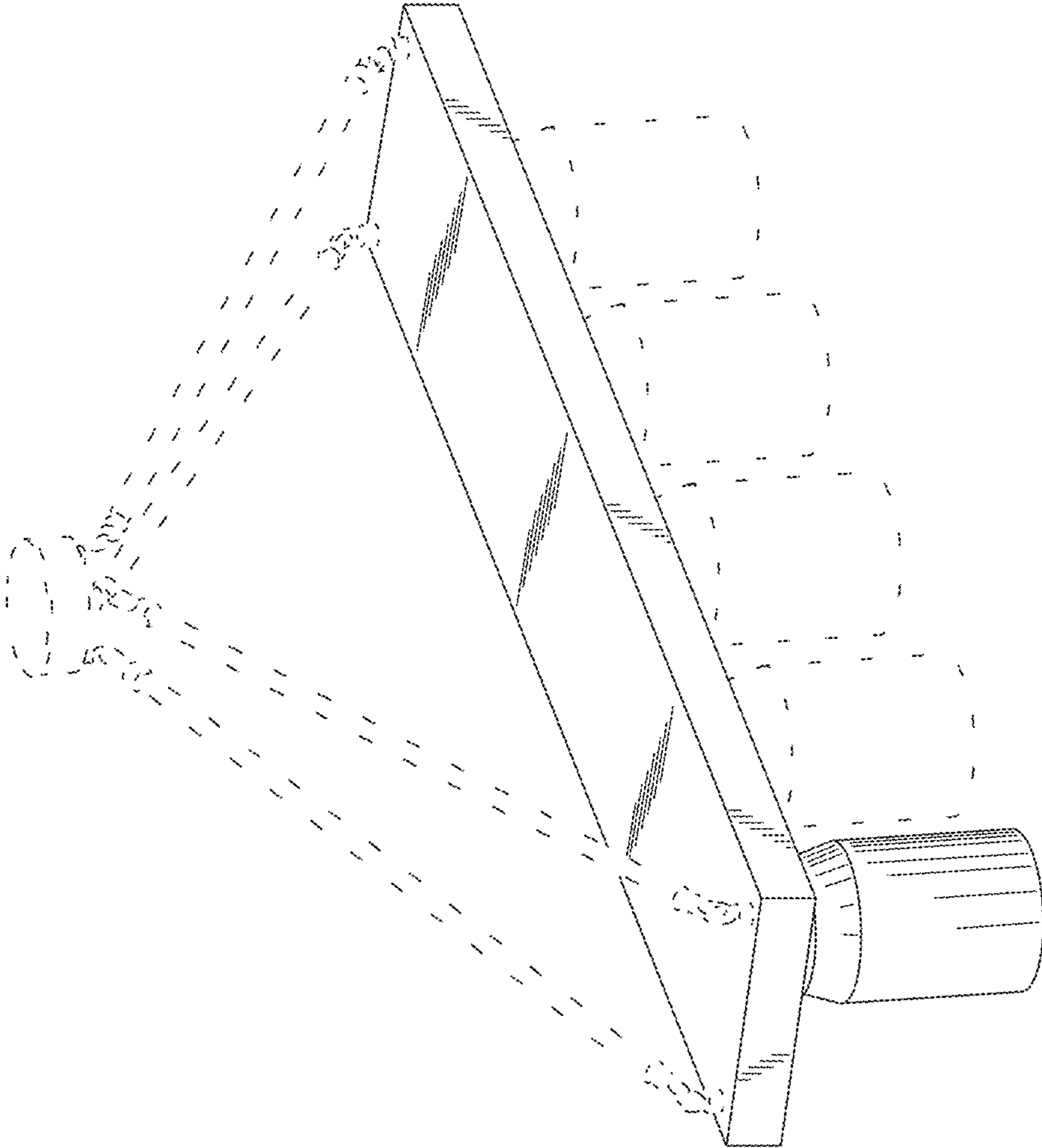


FIG. 1

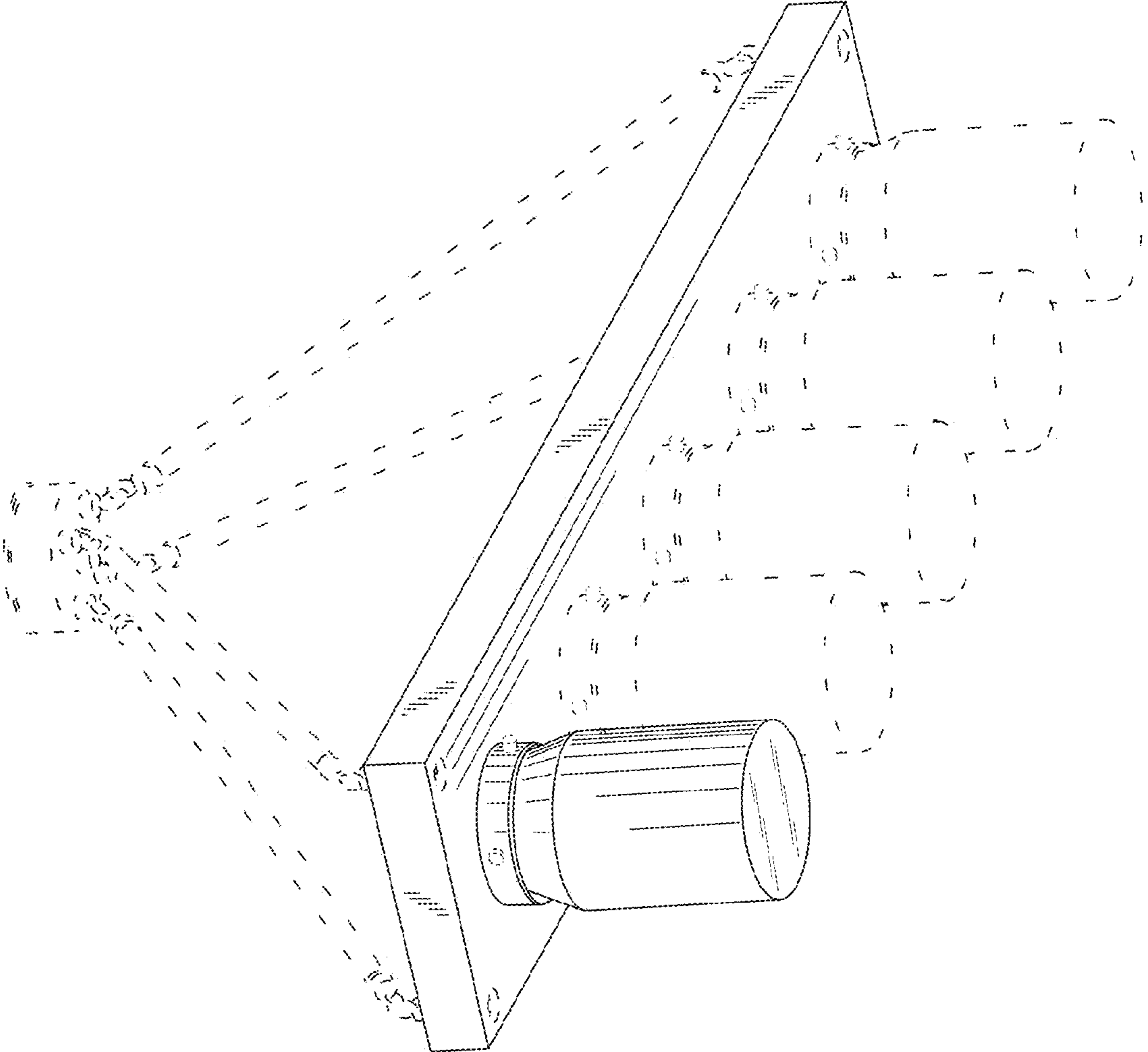


FIG. 2

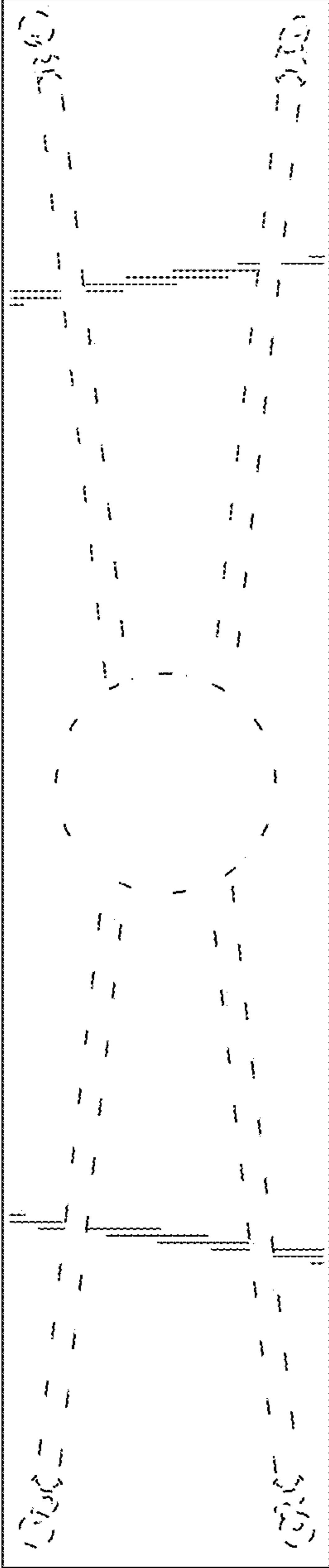


FIG. 3

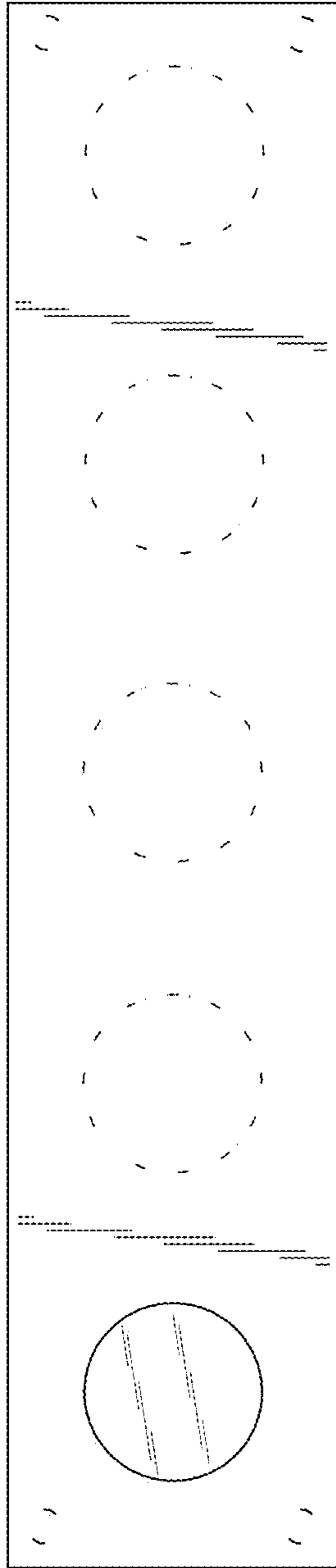


FIG. 4

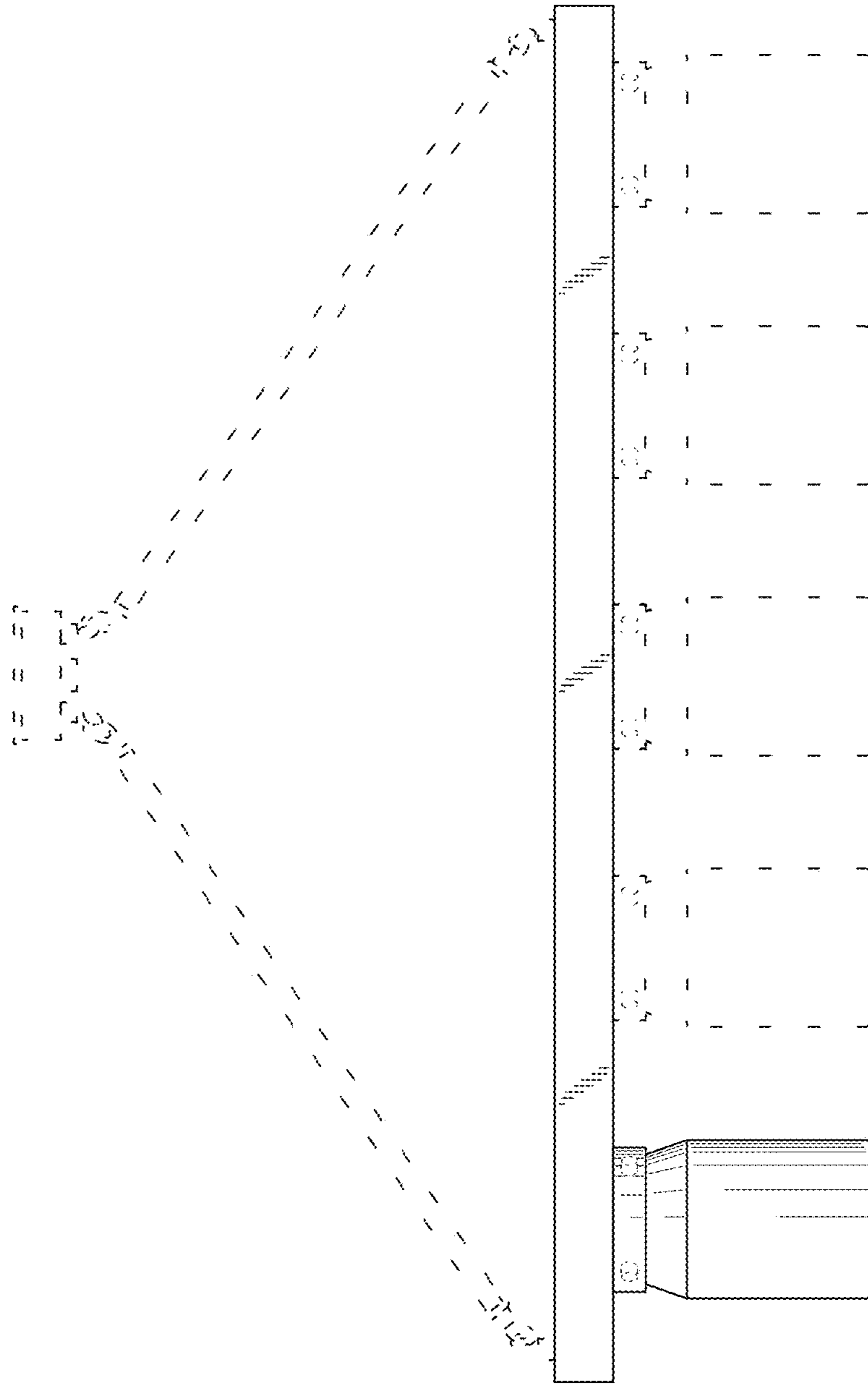


FIG. 5

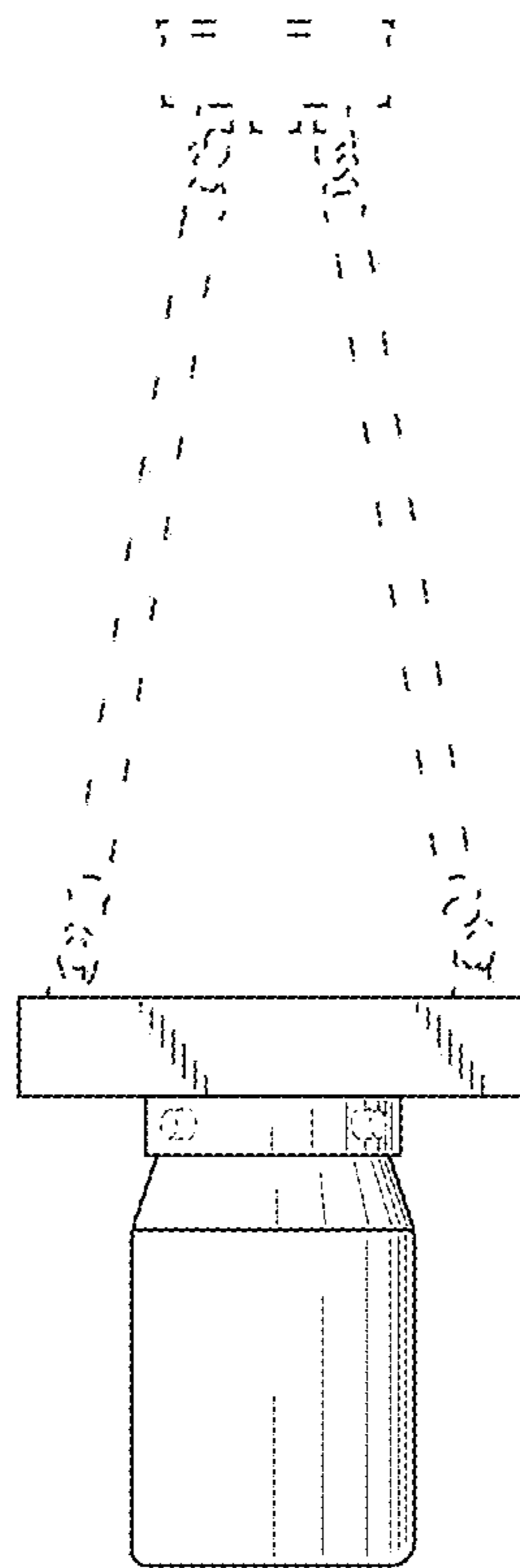


FIG. 6