

US00D962534S

(12) **United States Design Patent**  
**Yang**

(10) **Patent No.:** **US D962,534 S**

(45) **Date of Patent:** **\*\* Aug. 30, 2022**

- (54) **HEADLAMP COVER LENS**
- (71) Applicant: **SONAR AUTO PARTS CO., LTD.**,  
New Taipei (TW)
- (72) Inventor: **Hsiu-Pen Yang**, New Taipei (TW)
- (73) Assignee: **SONAR AUTO PARTS CO., LTD.**,  
New Taipei (TW)
- (\*\*) Term: **15 Years**
- (21) Appl. No.: **29/689,127**
- (22) Filed: **Apr. 26, 2019**
- (51) **LOC (13) Cl.** ..... **26-05**
- (52) **U.S. Cl.**  
USPC ..... **D26/120; D26/28**
- (58) **Field of Classification Search**  
USPC ..... D26/24, 28, 35, 97, 118, 119, 120, 122,  
D26/123, 124, 125, 139; D12/190  
CPC ..... F21S 43/00; F21S 43/26; F21S 43/235;  
F21S 41/00; F21S 41/20; F21S 41/28;  
F21S 41/285; F21V 5/00; F21K 9/00  
See application file for complete search history.

- D735,380 S \* 7/2015 Futschik ..... D26/28
- D736,451 S \* 8/2015 Smith ..... D26/120
- D744,158 S \* 11/2015 Willett ..... D26/120
- D753,869 S \* 4/2016 Prijic ..... D26/120
- 9,541,250 B2 \* 1/2017 Japs ..... F21S 41/28
- D787,722 S \* 5/2017 Lai ..... D26/28
- D795,473 S \* 8/2017 Fujiwara ..... D26/28
- D796,713 S \* 9/2017 Zavatski ..... D26/28
- D806,921 S \* 1/2018 Ryu ..... D26/28
- D828,934 S \* 9/2018 Baaske ..... D26/28
- D841,877 S \* 2/2019 Conway ..... D26/139
- D859,703 S \* 9/2019 Lai ..... D26/28
- D860,488 S \* 9/2019 Cote ..... D26/28

(Continued)

*Primary Examiner* — Wan Laymon

*Assistant Examiner* — Clint A Samuel

(74) *Attorney, Agent, or Firm* — Li & Cai Intellectual  
Property (USA) Office

(57) **CLAIM**

The ornamental design for a headlamp cover lens, as shown  
and described.

**DESCRIPTION**

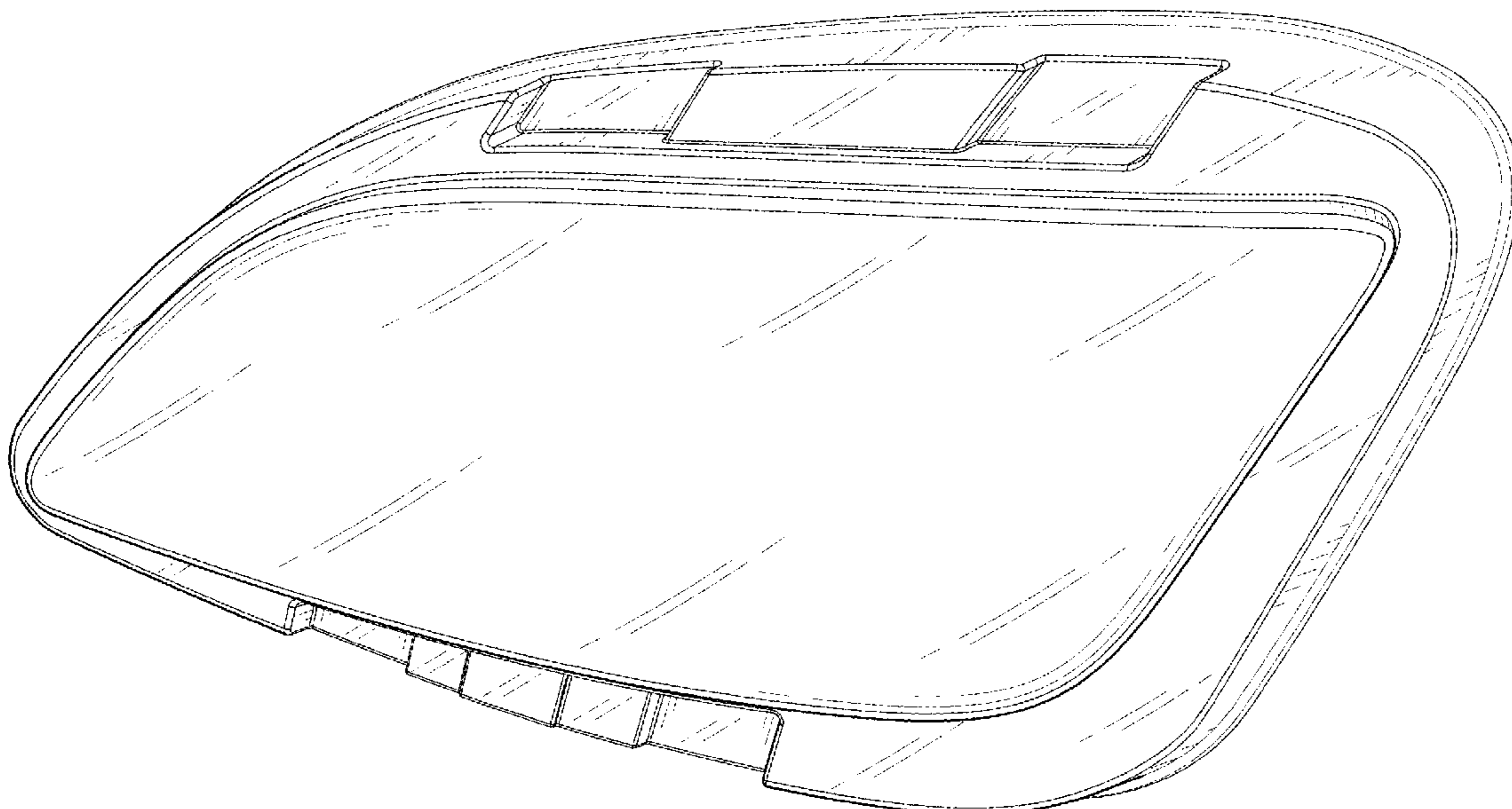
FIG. 1 is a front, right and top perspective view of a headlamp cover lens showing my new design;  
 FIG. 2 is a front elevational view thereof;  
 FIG. 3 is a rear elevational view thereof;  
 FIG. 4 is a left side elevational view thereof;  
 FIG. 5 is a right side elevational view thereof;  
 FIG. 6 is a top plan view thereof;  
 FIG. 7 is a bottom plan view thereof;  
 FIG. 8 is a front and bottom perspective view thereof; and,  
 FIG. 9 is a bottom and front cross-sectional perspective view taken along line 9-9 of FIG. 2 thereof for reference only.  
 The broken lines depict portions of the headlamp cover lens in which the design is embodied that form no part of the claimed design.

**1 Claim, 9 Drawing Sheets**

(56) **References Cited**

**U.S. PATENT DOCUMENTS**

- D271,143 S \* 10/1983 Hirakawa ..... D26/120
- D285,258 S \* 8/1986 Hamasaki ..... D26/120
- D288,137 S \* 2/1987 Hirano ..... D26/120
- D427,363 S \* 6/2000 Sacco ..... D26/120
- D432,063 S \* 10/2000 Sunday, Jr. .... D12/190
- D451,616 S \* 12/2001 Pfeiffer ..... D26/28
- D495,070 S \* 8/2004 Pfeiffer ..... D26/28
- D561,357 S \* 2/2008 Leclercq ..... D26/28
- D647,225 S \* 10/2011 Conway ..... D26/2
- D683,870 S \* 6/2013 Schmeckpeper ..... D26/28
- D686,360 S \* 7/2013 Davis ..... D26/28
- D694,439 S \* 11/2013 Davis ..... D26/28
- D709,645 S \* 7/2014 Hovind ..... D26/139



(56)

**References Cited**

U.S. PATENT DOCUMENTS

D889,004	S *	6/2020	Lin	.....	D26/28
D893,066	S *	8/2020	Lin	.....	D26/28
D893,067	S *	8/2020	Lin	.....	D26/28
D894,440	S *	8/2020	Koo	.....	D26/28
D909,632	S *	2/2021	Hegge	.....	D26/28
D909,633	S *	2/2021	Hegge	.....	D26/28
D909,635	S *	2/2021	Huang	.....	D26/28
D910,891	S *	2/2021	Tseug	.....	D26/28
D932,091	S *	9/2021	Lin	.....	D26/139
D933,861	S *	10/2021	Lai	.....	D26/28
D937,455	S *	11/2021	Wu	.....	D26/28
D938,632	S *	12/2021	Yang	.....	D26/28
D938,633	S *	12/2021	Yang	.....	D26/28
D952,208	S *	5/2022	Gasevski	.....	D26/28
2014/0301103	A1 *	10/2014	Colombo	.....	F21S 41/28 362/522
2015/0204500	A1 *	7/2015	Japs	.....	F21S 41/55 362/520
2019/0064423	A1 *	2/2019	McCarter	.....	G02B 6/0055
2019/0248278	A1 *	8/2019	Salter	.....	B60Q 1/22
2020/0256539	A1 *	8/2020	Gloss	.....	F21S 43/26

\* cited by examiner

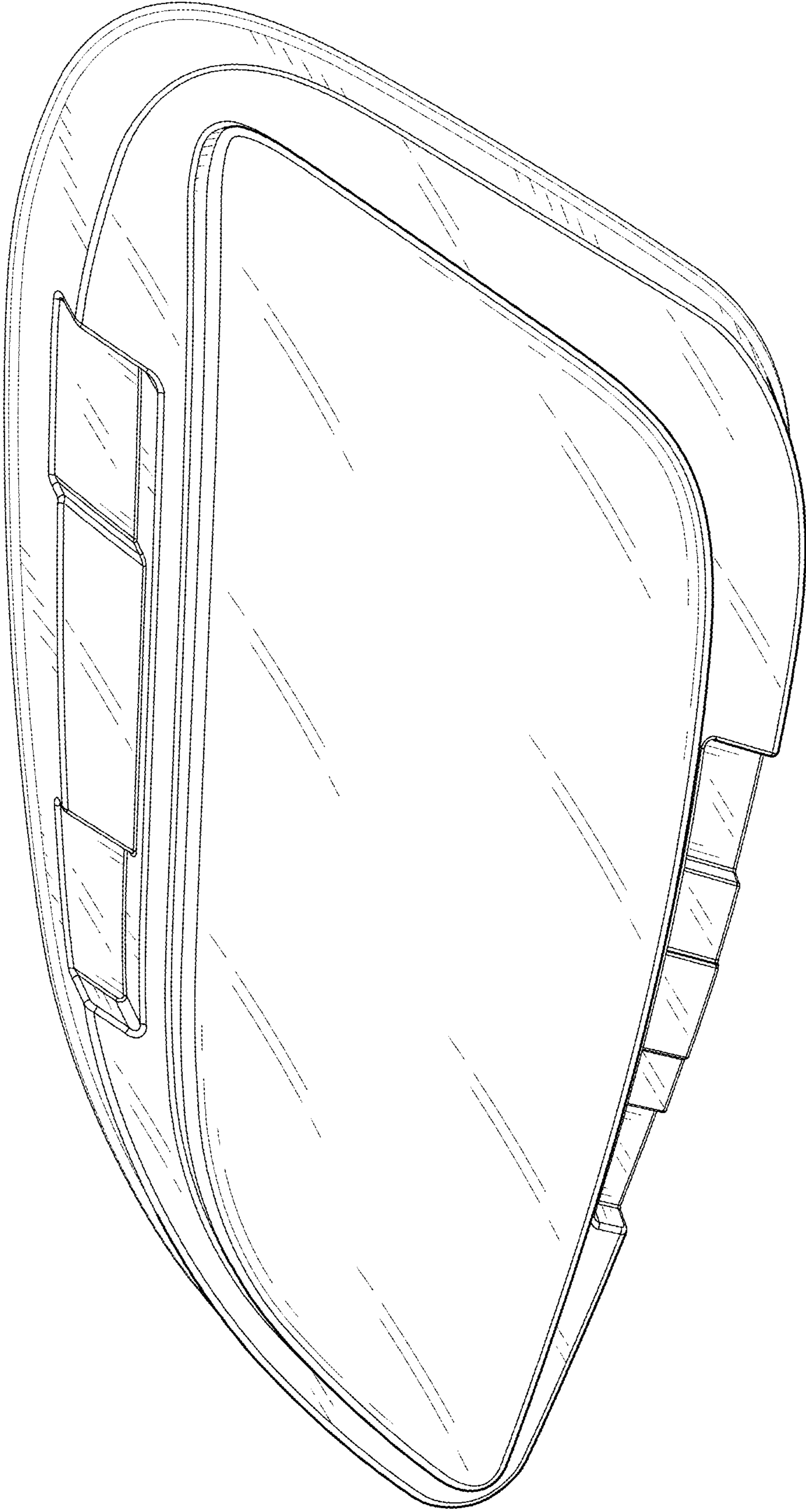


FIG. 1



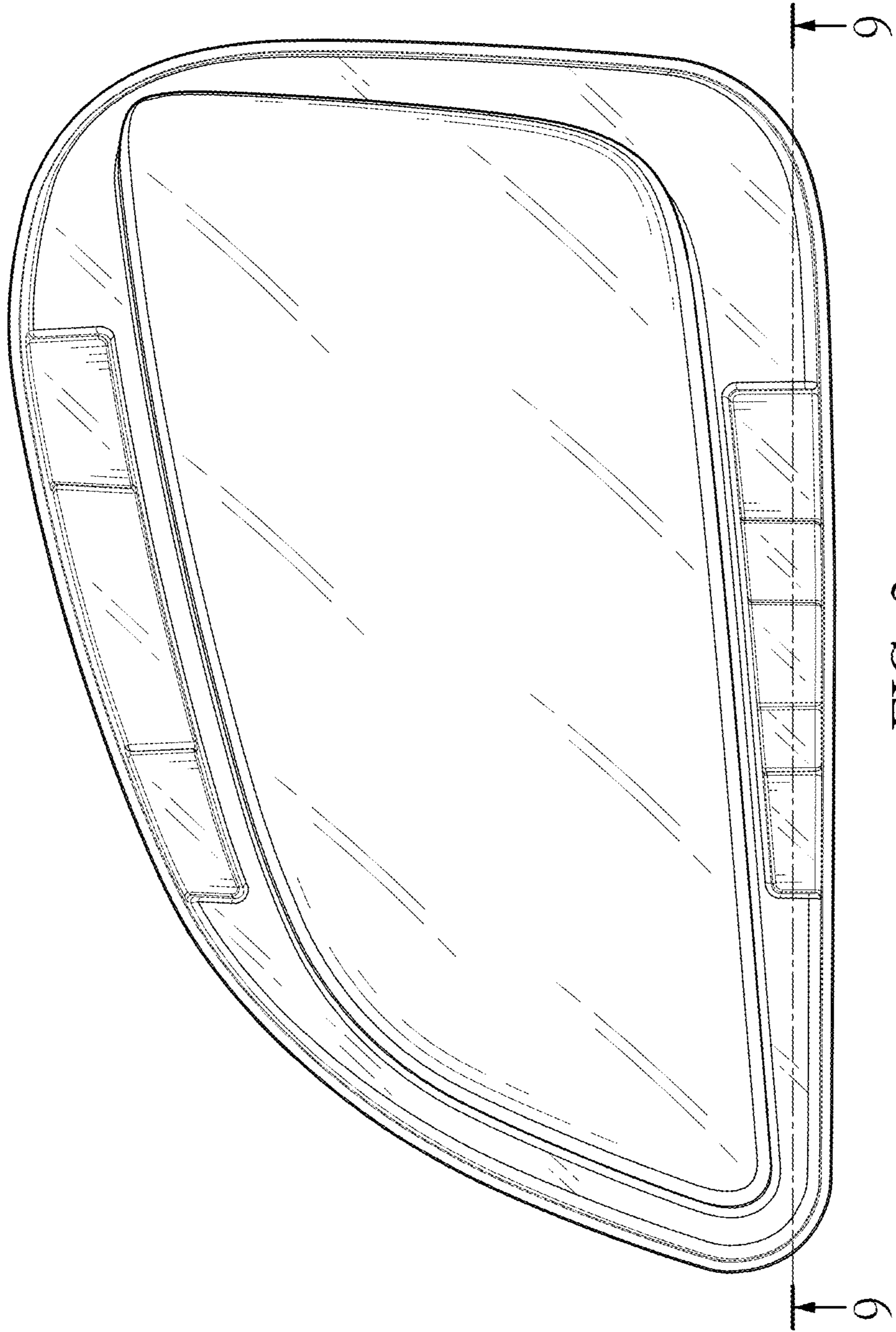


FIG. 2

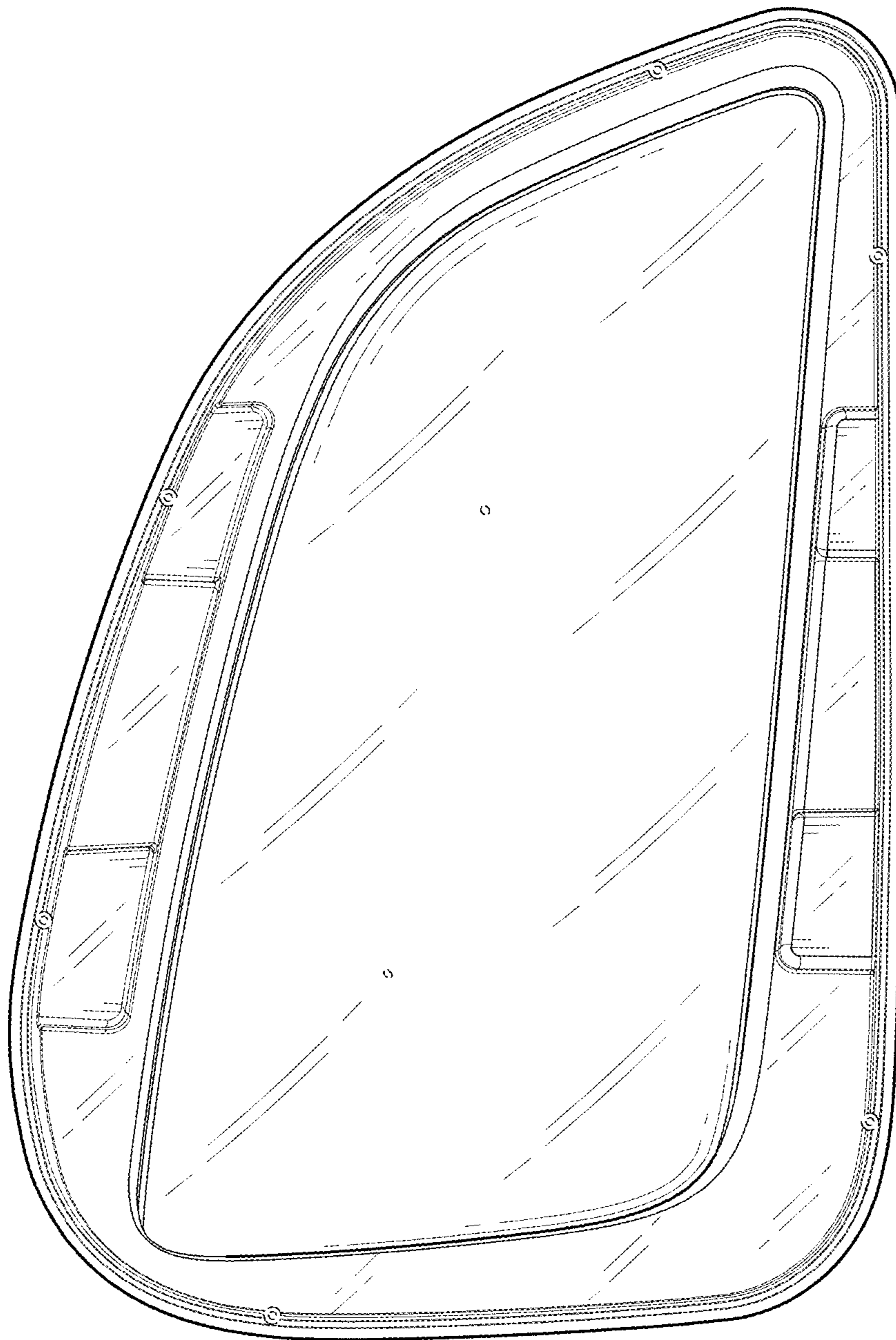


FIG. 3

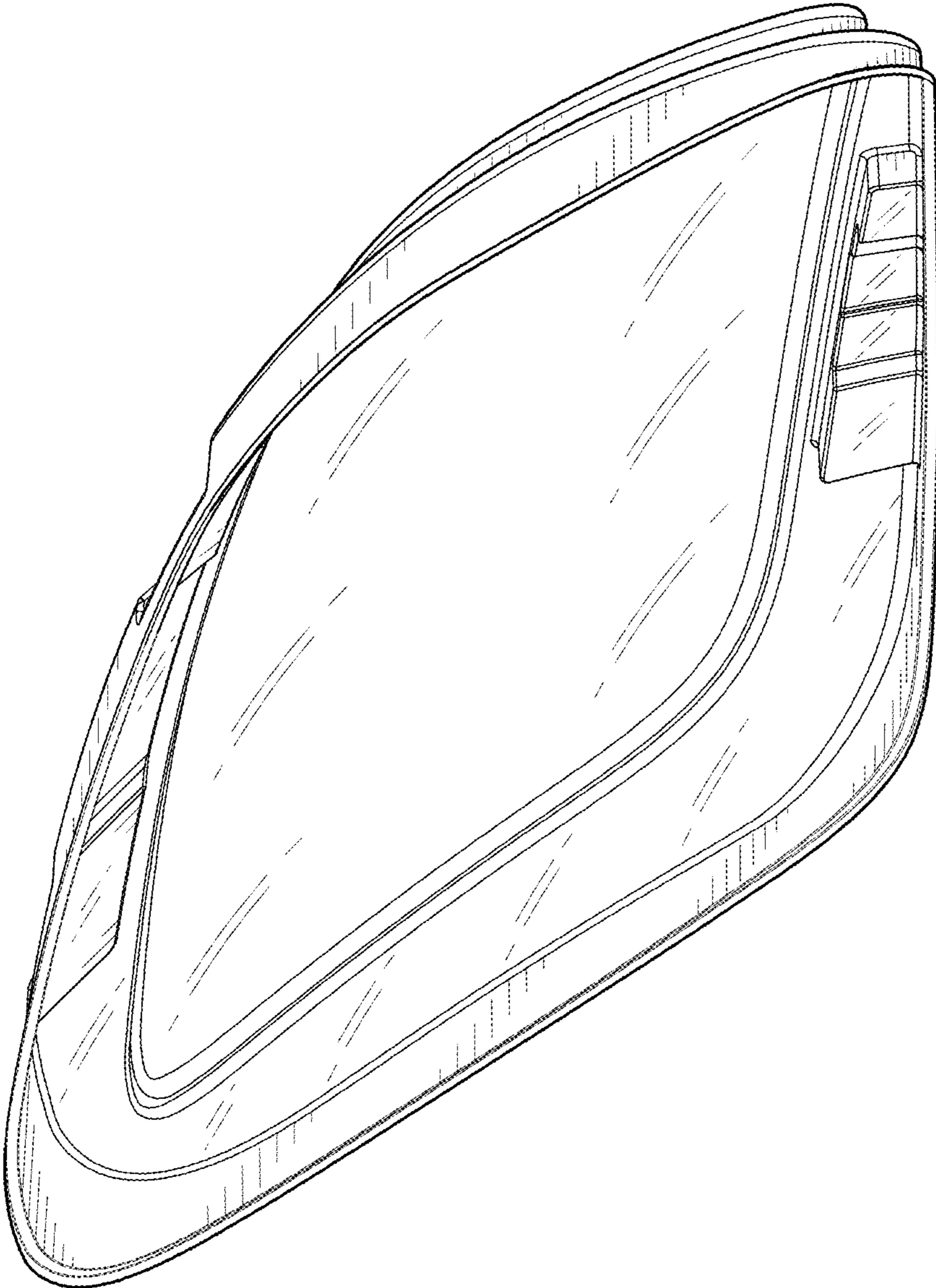


FIG. 4

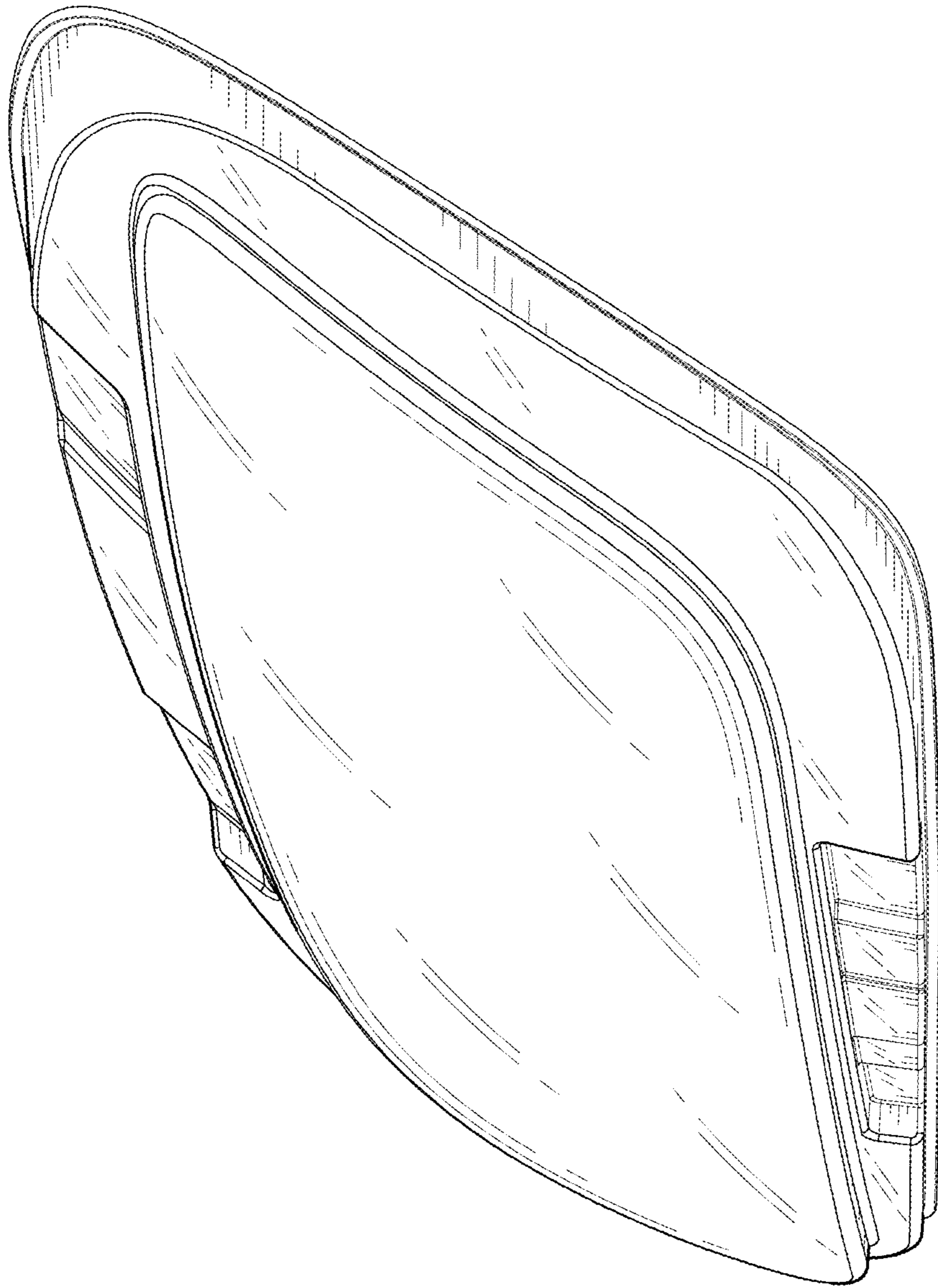


FIG. 5



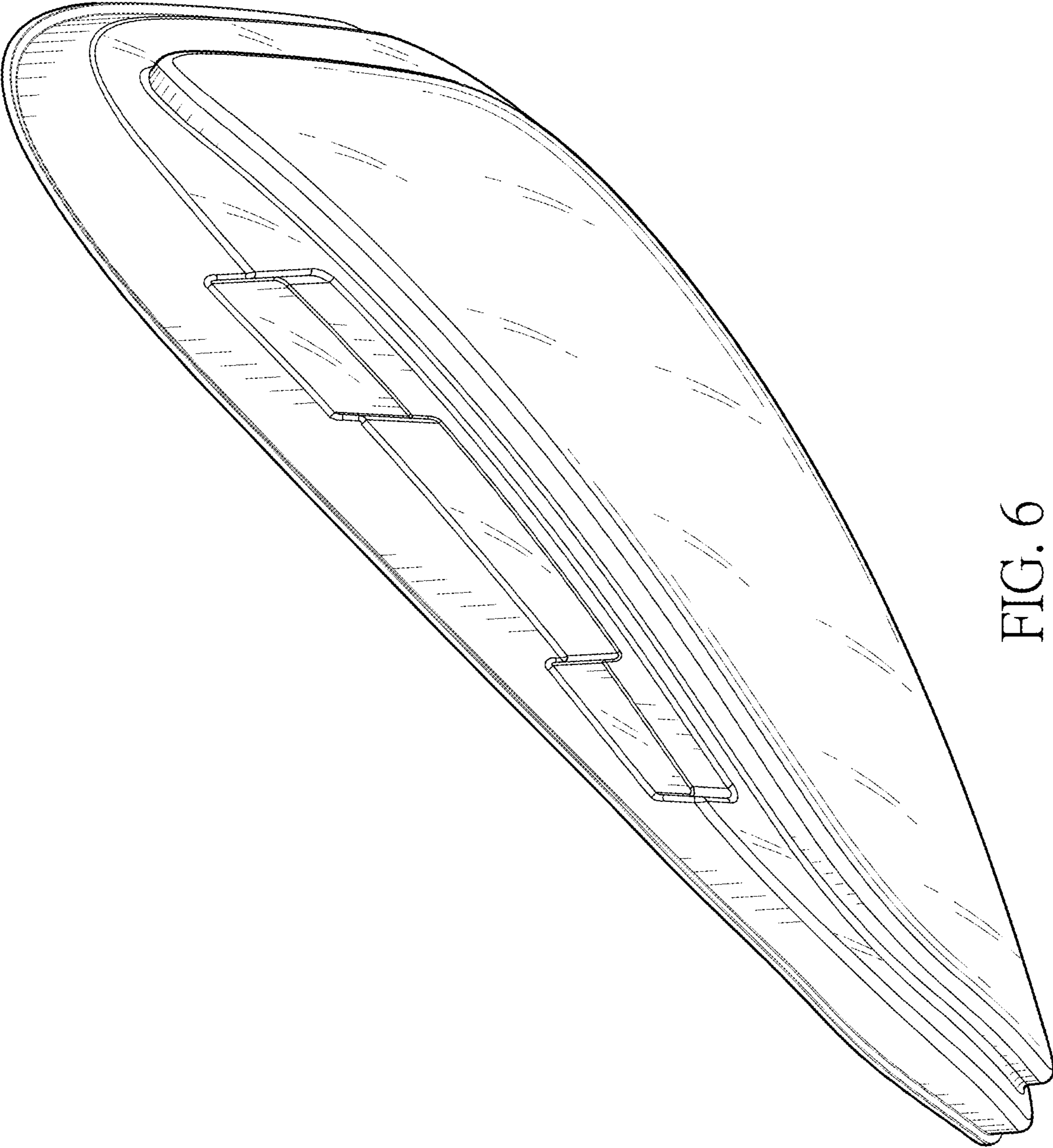


FIG. 6



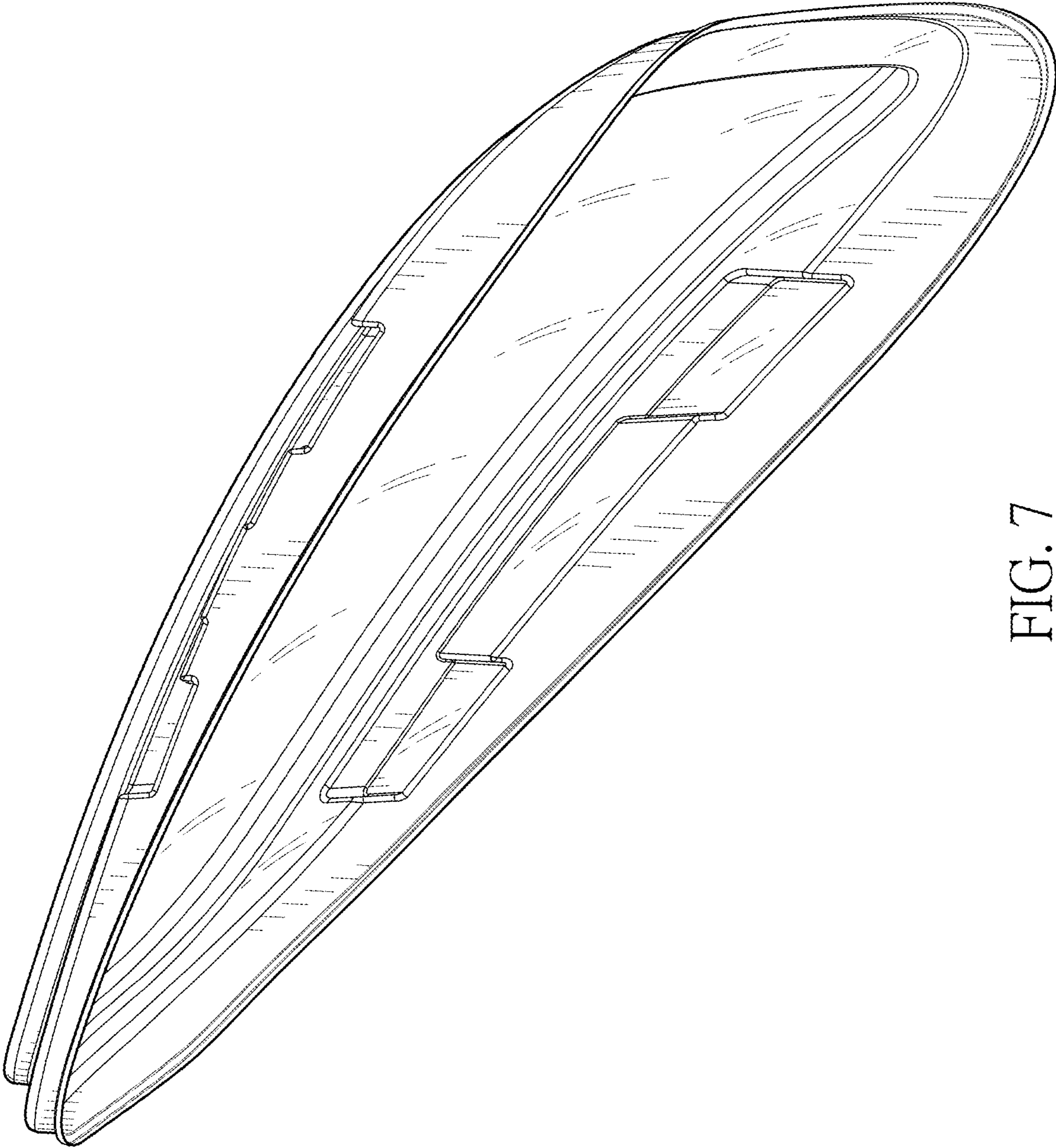


FIG. 7

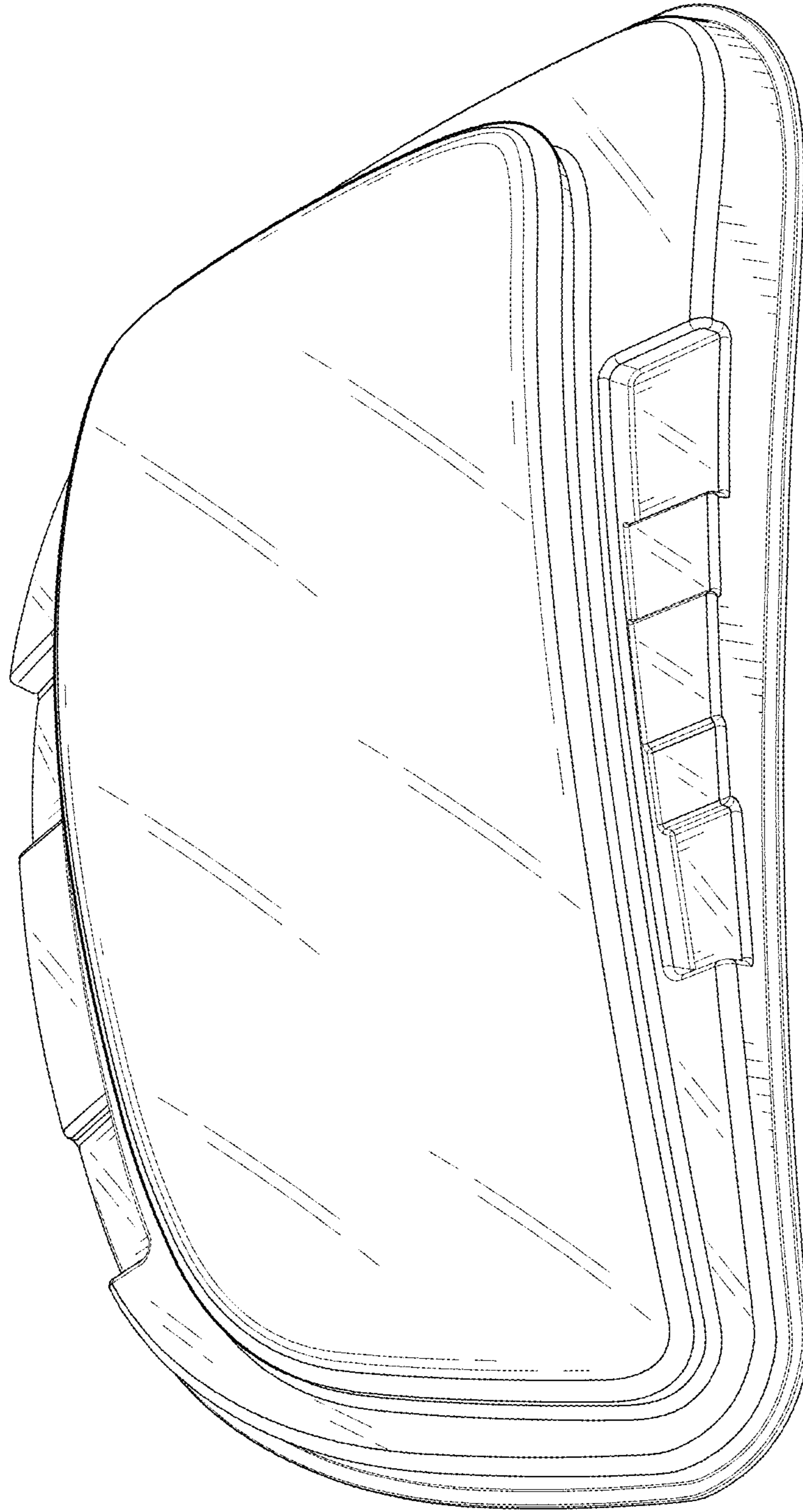


FIG. 8

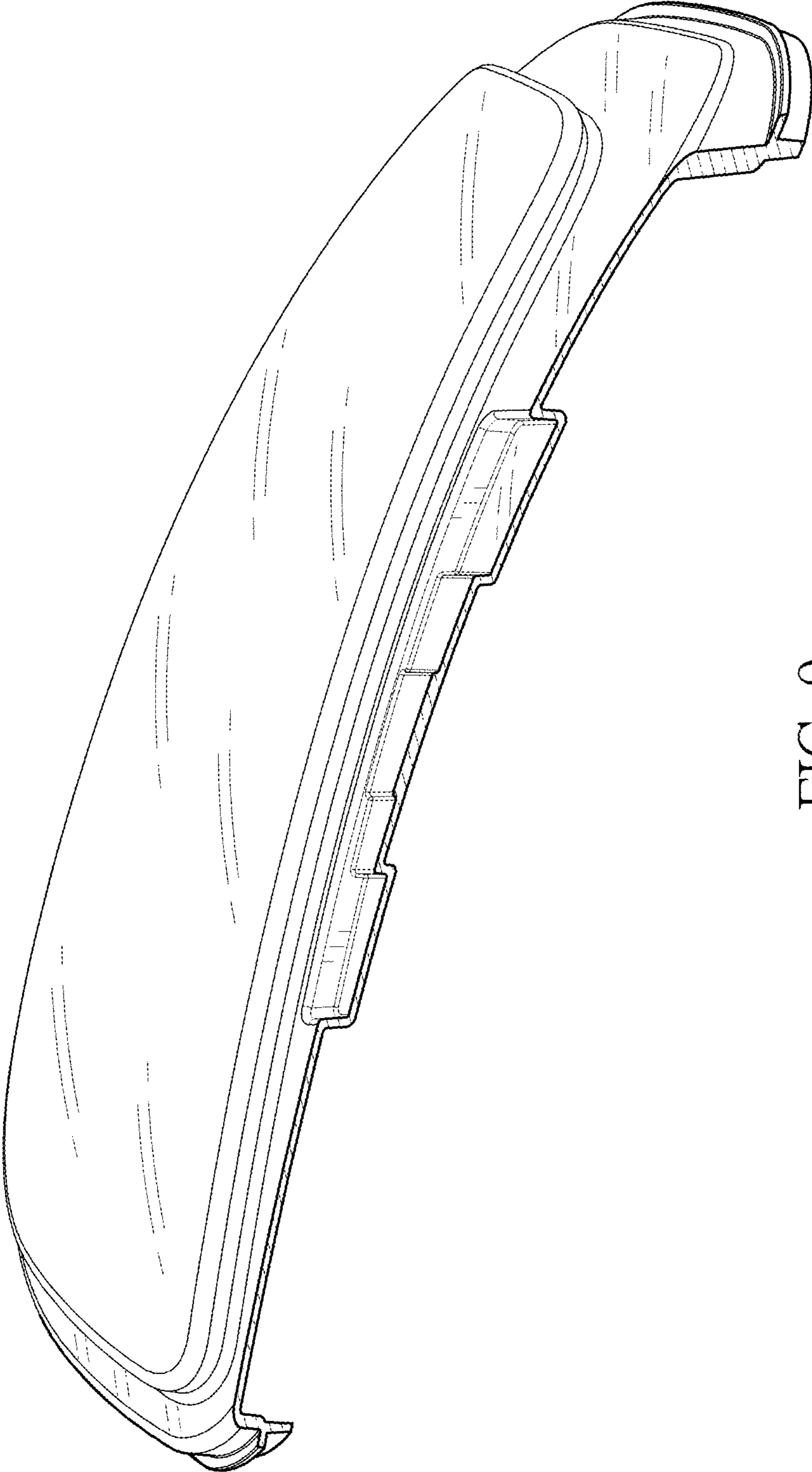


FIG. 9