

US00D962533S

(12) **United States Design Patent** (10) **Patent No.:** **US D962,533 S**  
**Saboo** (45) **Date of Patent:** **\*\* Aug. 30, 2022**

(54) **CEILING LIGHT PANEL**

FOREIGN PATENT DOCUMENTS

(71) Applicant: **West Coast Imports, Inc.**, Commerce, CA (US)

KR 301043465.0000 \* 1/2020

(72) Inventor: **Vinay Saboo**, Commerce, CA (US)

OTHER PUBLICATIONS

(73) Assignee: **West Coast Imports, Inc.**, Commerce, CA (US)

“Ultra-Bright Triple Panel” reference by PulseTV Deal on YouTube.com, date announced on YouTube.com Aug. 20, 2020, site visited Feb. 1, 2022, internet URL: <https://www.youtube.com/watch?v=W0vcGRFh9SA> (Year: 2020).\*

(\*\*) Term: **15 Years**

(Continued)

(21) Appl. No.: **29/745,525**

*Primary Examiner* — Marissa J Cash

(22) Filed: **Aug. 6, 2020**

*Assistant Examiner* — Liv C Anderson

(51) **LOC (13) Cl.** ..... **26-04**

(74) *Attorney, Agent, or Firm* — Tarter Krinsky & Drogin LLP

(52) **U.S. Cl.**  
USPC ..... **D26/113**

(57) **CLAIM**

(58) **Field of Classification Search**  
USPC ..... D26/72, 113, 118–122, 138–142, 145,  
D26/152, 154, 155, 24, 74, 85, 123, 124,  
D26/128–134, 137  
CPC .... F21S 8/00; F21K 9/20; F21K 9/237; F21V  
15/013; F21V 17/04; F21V 21/00; F21V  
21/02

The ornamental design for a ceiling light panel, as shown and described.

See application file for complete search history.

**DESCRIPTION**

(56) **References Cited**

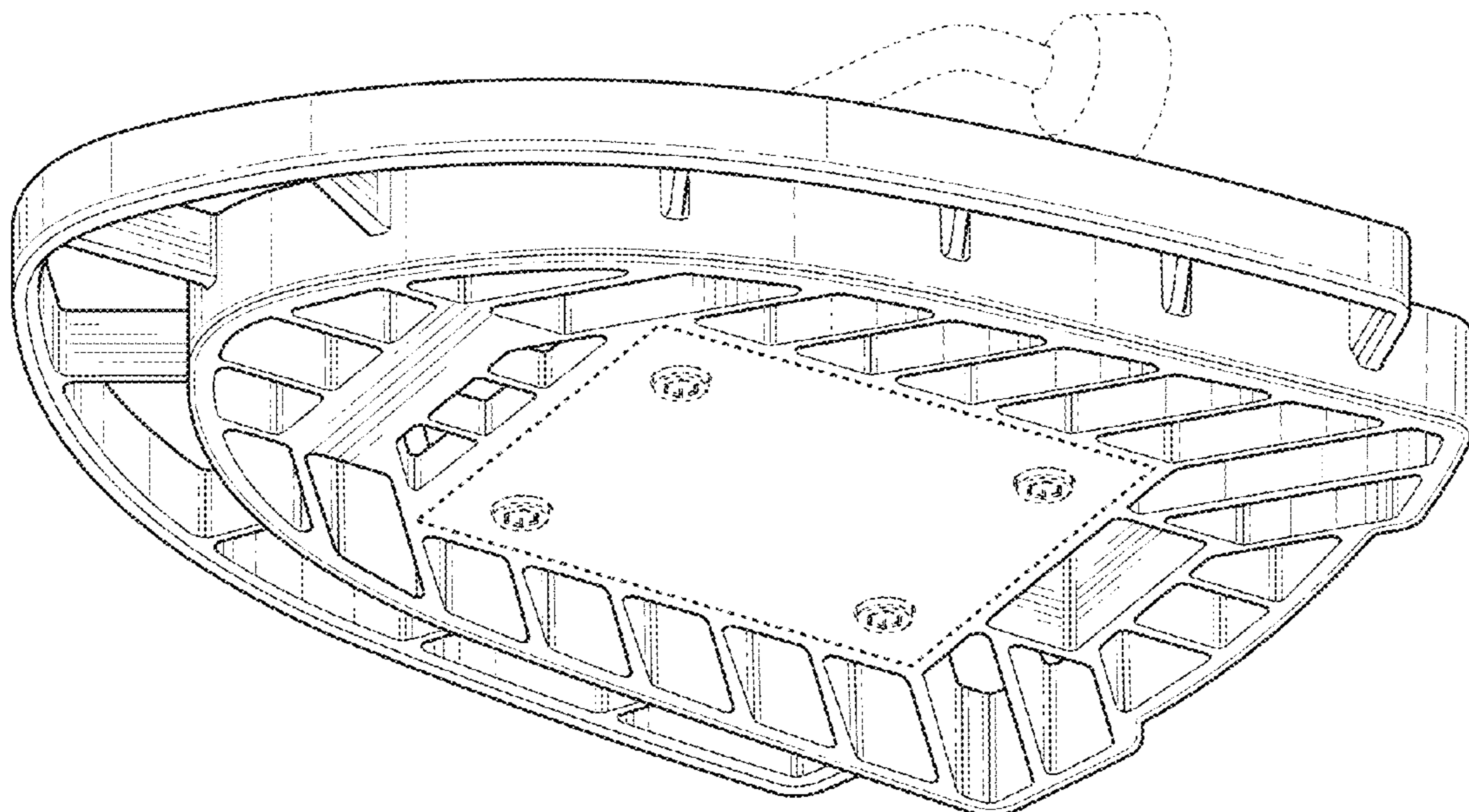
U.S. PATENT DOCUMENTS

D861,926 S	*	10/2019	Lin	.....	D26/2
D870,943 S	*	12/2019	Kuang	.....	D26/65
D882,851 S	*	4/2020	Deng	.....	D26/2
D885,630 S	*	5/2020	Lin	.....	D26/2
D886,353 S	*	6/2020	Du	.....	D26/2
D887,610 S	*	6/2020	Wei	.....	D26/2
D908,250 S	*	1/2021	Xu	.....	D26/2
D919,154 S	*	5/2021	Zhou	.....	D26/2
D926,351 S	*	7/2021	Zhou	.....	D26/118
D935,671 S	*	11/2021	Deng	.....	D26/2
D935,672 S	*	11/2021	Deng	.....	D26/2

FIG. 1 is a front perspective view of a ceiling light panel shown removed from any environment for clarity; FIG. 2 is a top view thereof; FIG. 3 is a bottom view thereof; FIG. 4 is a rear view thereof; FIG. 5 is a front view thereof; FIG. 6 is a first side view thereof; FIG. 7 is a second side view thereof; and, FIG. 8 is a front perspective view in an environment of use in a ceiling light.

The broken lines depict portions of the ceiling light panel that form no part of the claimed design. The additional broken lines in FIG. 8 illustrating a ceiling light and ceiling light panels may be for environmental purposes only and form no part of the claimed design.

**1 Claim, 5 Drawing Sheets**



(56)

**References Cited**

OTHER PUBLICATIONS

“Siwei” reference by Amazon.com, date first available Jun. 20, 2020 [online], site visited Feb. 1, 2022, internet URL: [https://www.amazon.com/dp/B08C2MLQXP/ref=sbl\\_dp\\_lighting-ceiling-lights\\_B08C2MLQXP\\_0](https://www.amazon.com/dp/B08C2MLQXP/ref=sbl_dp_lighting-ceiling-lights_B08C2MLQXP_0) (Year: 2020).\*

“LED Garage Lights” reference sicaaG on Amazon.com, date first available Mar. 12, 2020 [online], site visited Feb. 1, 2022, internet URL: [https://www.amazon.com/dp/B085TPL4LJ/ref=cm\\_sw\\_em\\_r\\_mt\\_dp\\_GZ04FSRA9JGY5GDB3HZD?\\_encoding=UTF8&psc=1](https://www.amazon.com/dp/B085TPL4LJ/ref=cm_sw_em_r_mt_dp_GZ04FSRA9JGY5GDB3HZD?_encoding=UTF8&psc=1) (Year: 2020).\*

“Neporal” reference by Neporal on Amazon.com, date first available Jul. 24, 2020 [online], site visited Feb. 1, 2022, internet URL: [https://www.amazon.com/dp/B08DKNRJK4/ref=sbl\\_dp\\_lighting-ceiling-lights\\_B08C2MLQXP\\_0](https://www.amazon.com/dp/B08DKNRJK4/ref=sbl_dp_lighting-ceiling-lights_B08C2MLQXP_0) (Year: 2020).\*

“YANLE” reference by YANLE on Amazon.com, date first available May 4, 2020 [online], site visited Feb. 1, 2022, internet URL: [https://www.amazon.com/dp/B0881NMTLN/ref=sbl\\_dp\\_lighting-ceiling-lights\\_B08C2MLQXP\\_0](https://www.amazon.com/dp/B0881NMTLN/ref=sbl_dp_lighting-ceiling-lights_B08C2MLQXP_0) (Year: 2020).\*

\* cited by examiner

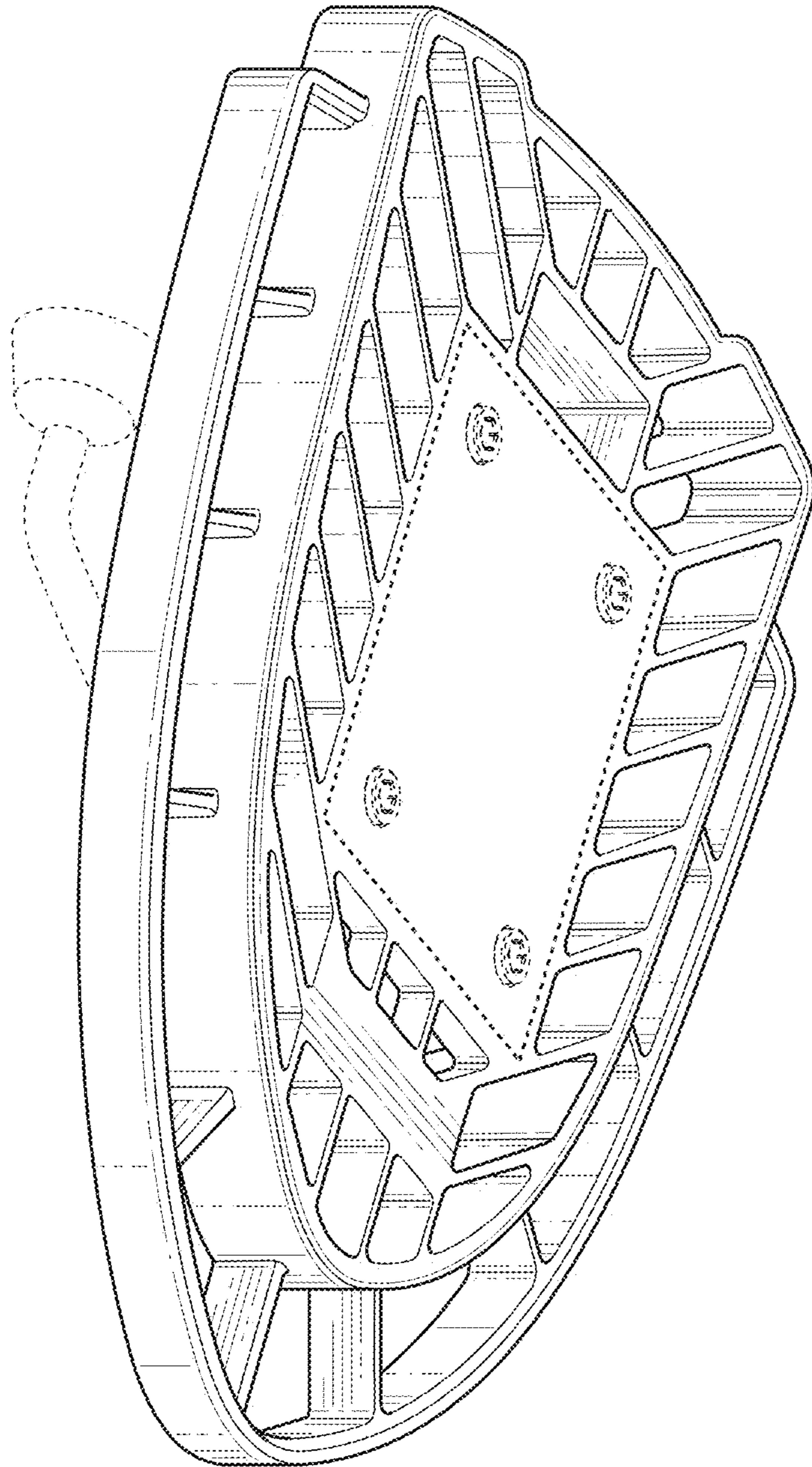


FIG. 1

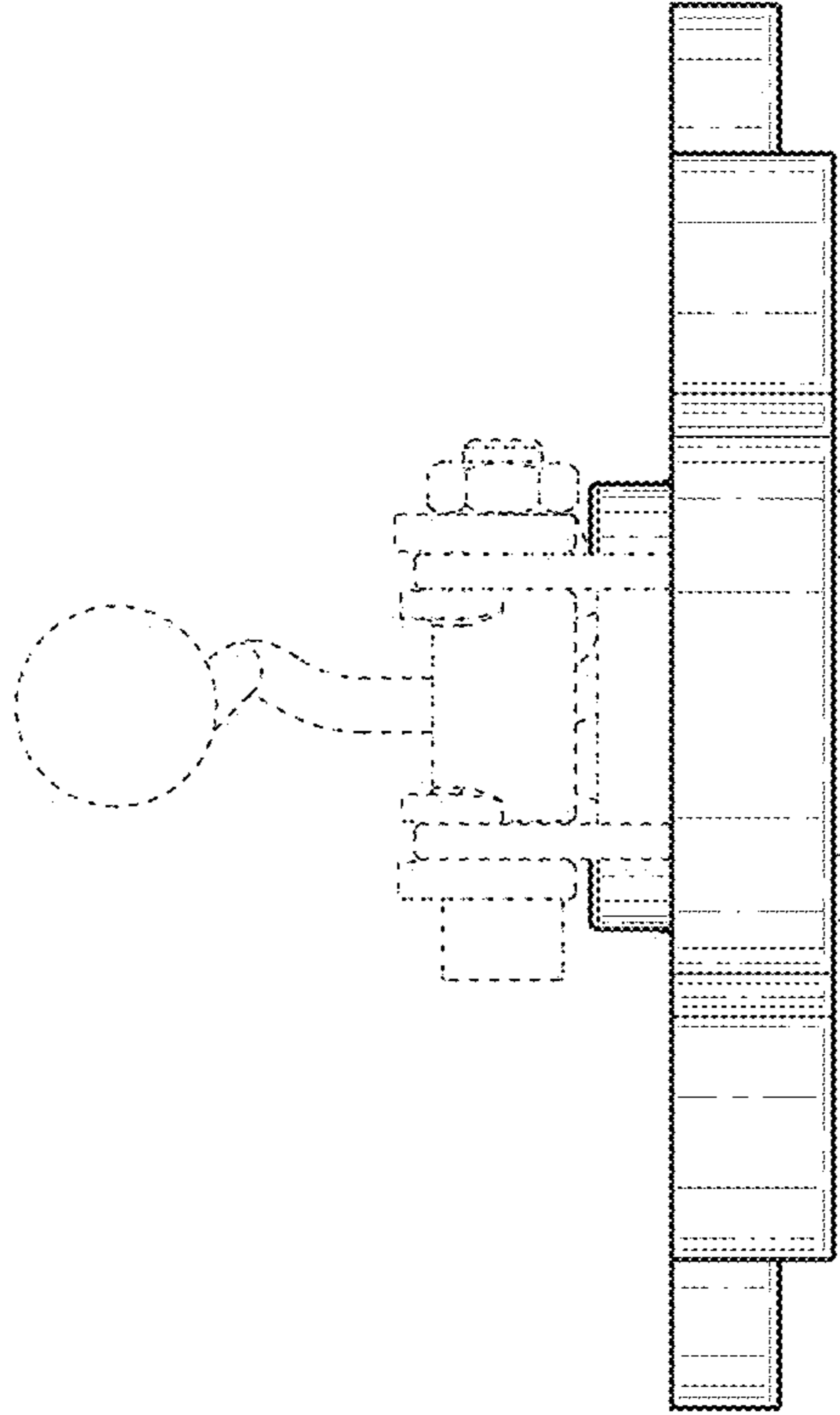


FIG. 3

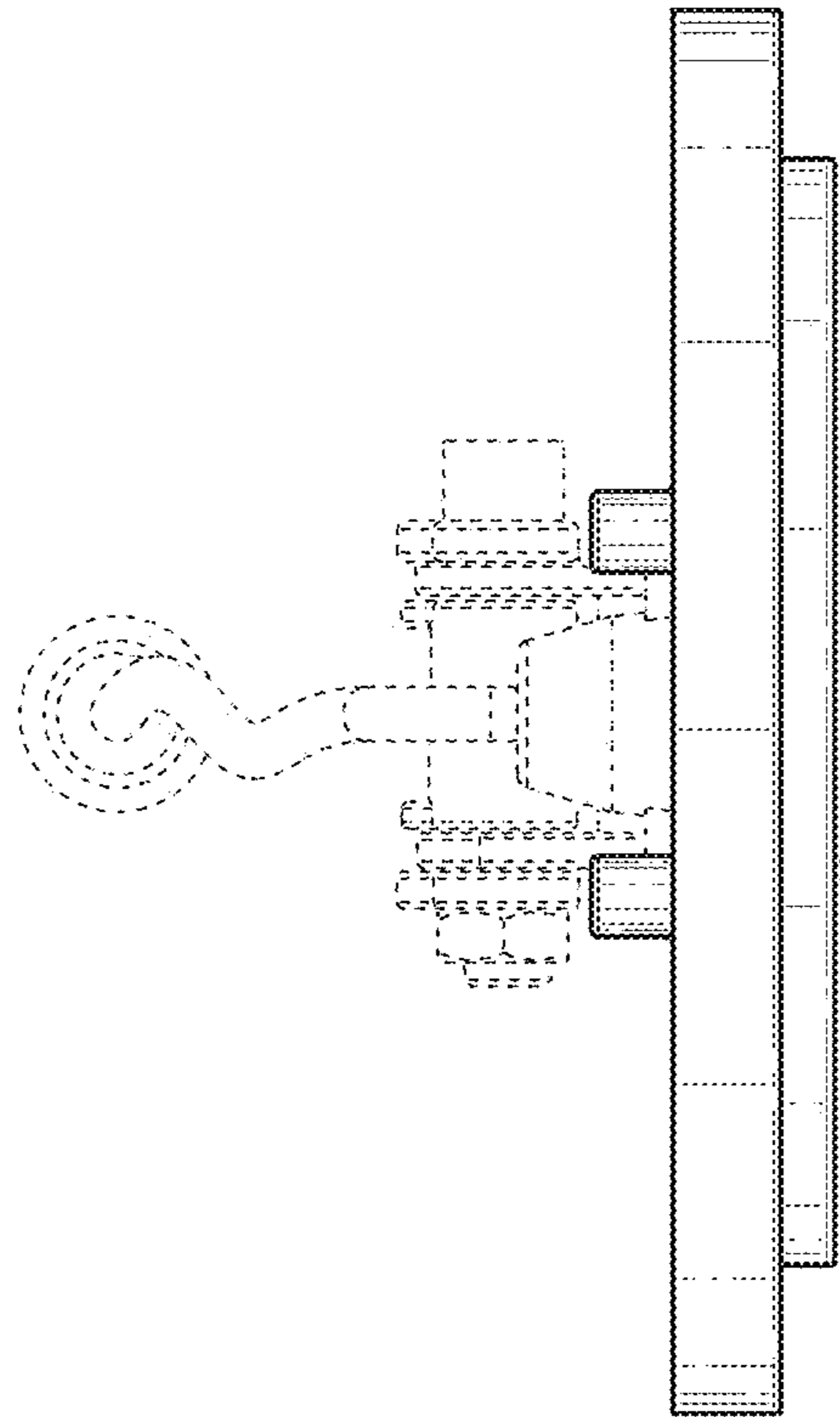


FIG. 2

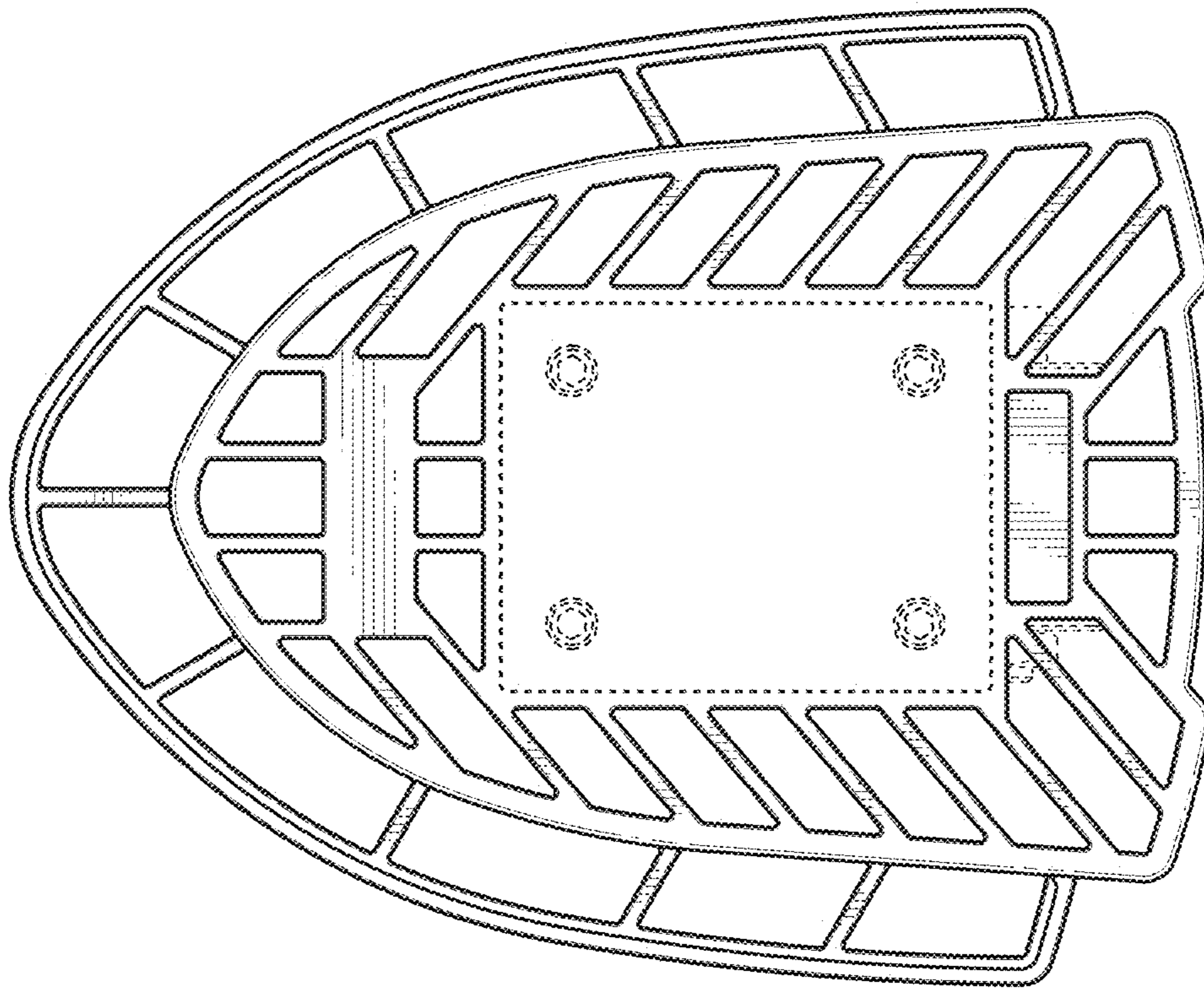


FIG. 5

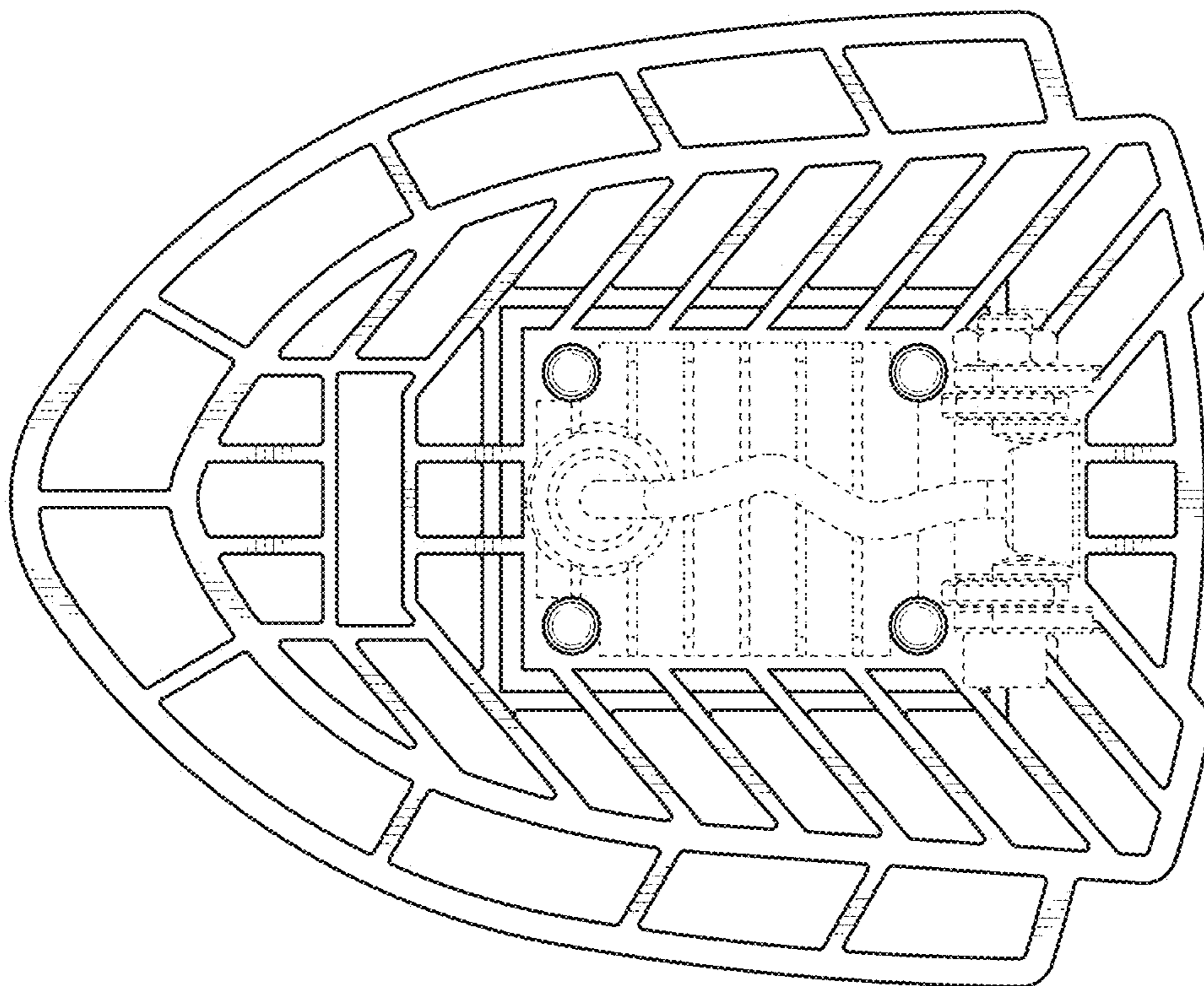


FIG. 4

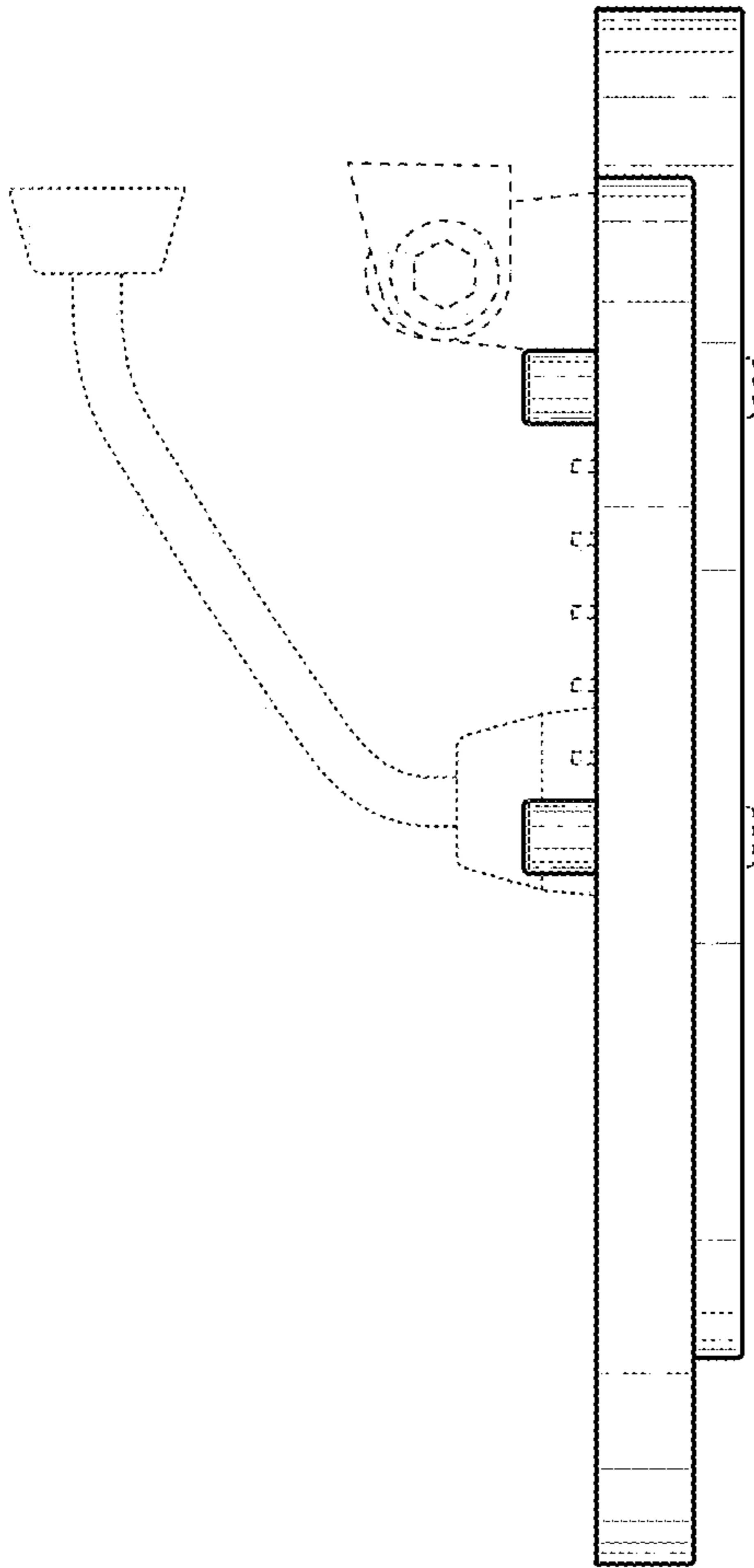


FIG. 6

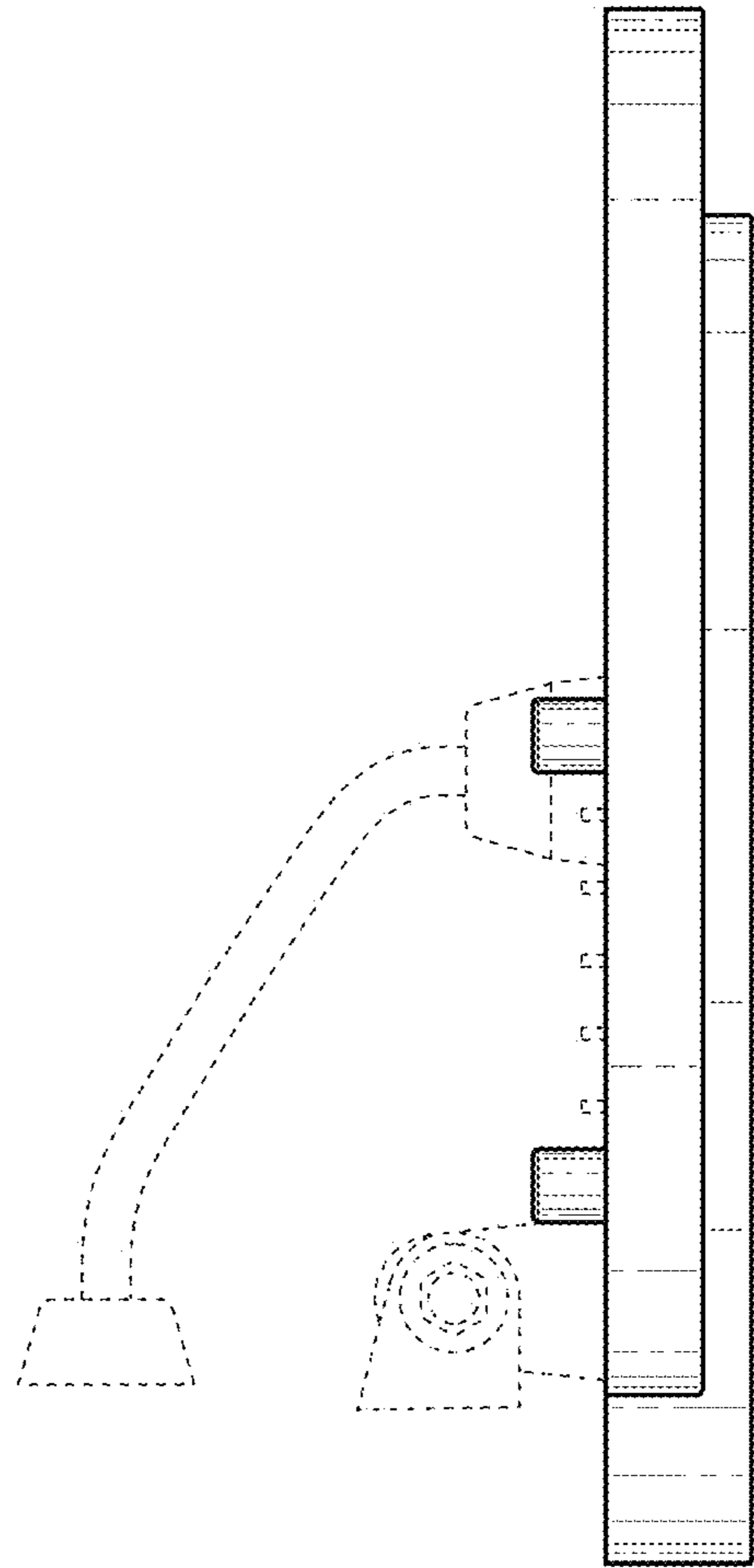


FIG. 7

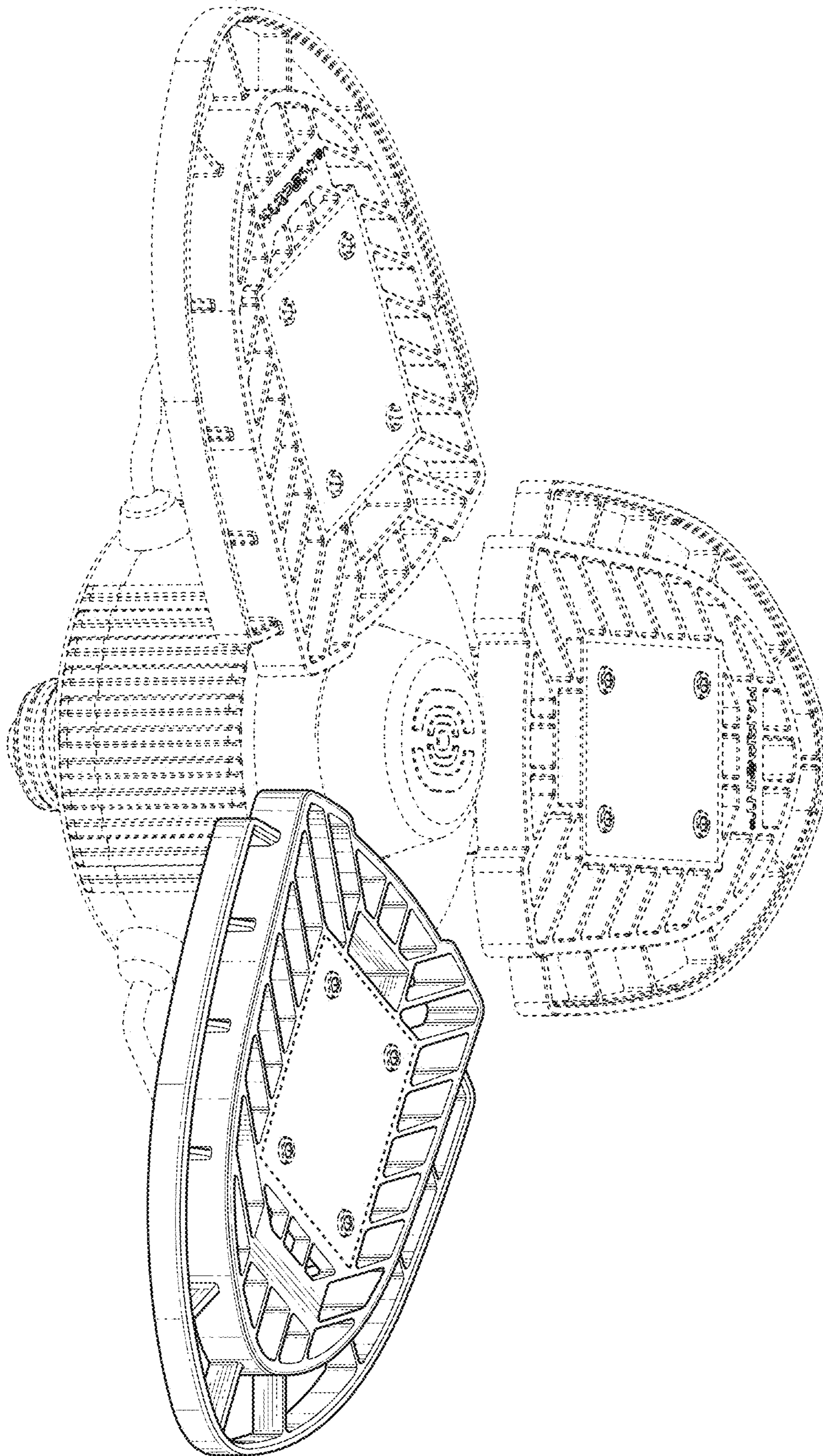


FIG. 8