



US00D962530S

(12) **United States Design Patent** (10) **Patent No.:** **US D962,530 S**
Diez (45) **Date of Patent:** **** Aug. 30, 2022**

(54) **LIGHTING FIXTURE**
(71) Applicant: **VIBIA LIGHTING, S.L.U.**, Gavà (ES)
(72) Inventor: **Stefan Diez**, Munich (DE)
(73) Assignee: **VIBIA LIGHTING, S.L.U.**, Gavà (ES)
(**) Term: **15 Years**
(21) Appl. No.: **35/511,427**
(22) Filed: **Nov. 6, 2020**
(80) **Hague Agreement Data**
Int. Filing Date: **Nov. 6, 2020**
Int. Reg. No.: **DM/212677**
Int. Reg. Date: **Nov. 6, 2020**
Int. Reg. Pub. Date: **Feb. 19, 2021**

D253,854 S * 1/1980 Strignano D26/89
D260,298 S * 8/1981 D'Ercoli D26/63
D265,934 S * 8/1982 Ellersick D26/118
D279,823 S * 7/1985 Parker D26/140
D321,410 S * 11/1991 Layne D13/133
D341,671 S * 11/1993 Kuo D26/65
D365,165 S * 12/1995 Stultz D26/24
5,481,444 A * 1/1996 Schultz F21S 4/10
439/453
D447,260 S * 8/2001 Demshki D26/63
D450,405 S * 11/2001 Demshki D26/63
6,554,524 B1 * 4/2003 Smith H02G 7/04
403/322.2
D477,920 S * 8/2003 McCarty D6/310
7,029,161 B1 * 4/2006 Lin F21S 4/10
362/249.15
D549,388 S * 8/2007 Lehman D26/139
D556,367 S * 11/2007 Lehman D26/138
D563,580 S * 3/2008 Prazoff D26/61
D565,224 S * 3/2008 Salatto-Rose F21S 4/10
D26/65
D565,230 S * 3/2008 Hetfield D26/88

(Continued)

(30) **Foreign Application Priority Data**
May 8, 2020 (EM) 007875539-0040
(51) **LOC (13) Cl.** **26-05**
(52) **U.S. Cl.**
USPC **D26/93**
(58) **Field of Classification Search**
USPC D26/24, 25, 60, 61, 63, 64, 65, 66, 72,
D26/80, 81, 82, 83, 84, 93, 102, 142;
D6/300, 310, 672, 682, 682.1, 682.3, 712
CPC F21S 4/00; F21S 4/10; F21S 4/22; F21S
8/04; F21S 8/043; F21S 8/066; F21S
8/08; F21V 21/34; F21V 21/35; F21V
21/005; F21V 21/08; F21V 21/14
See application file for complete search history.

Primary Examiner — Steven J Czyz
(74) *Attorney, Agent, or Firm* — McCormick, Paulding &
Huber PLLC

(57) **CLAIM**

The ornamental design for a lighting fixture, as shown and described.

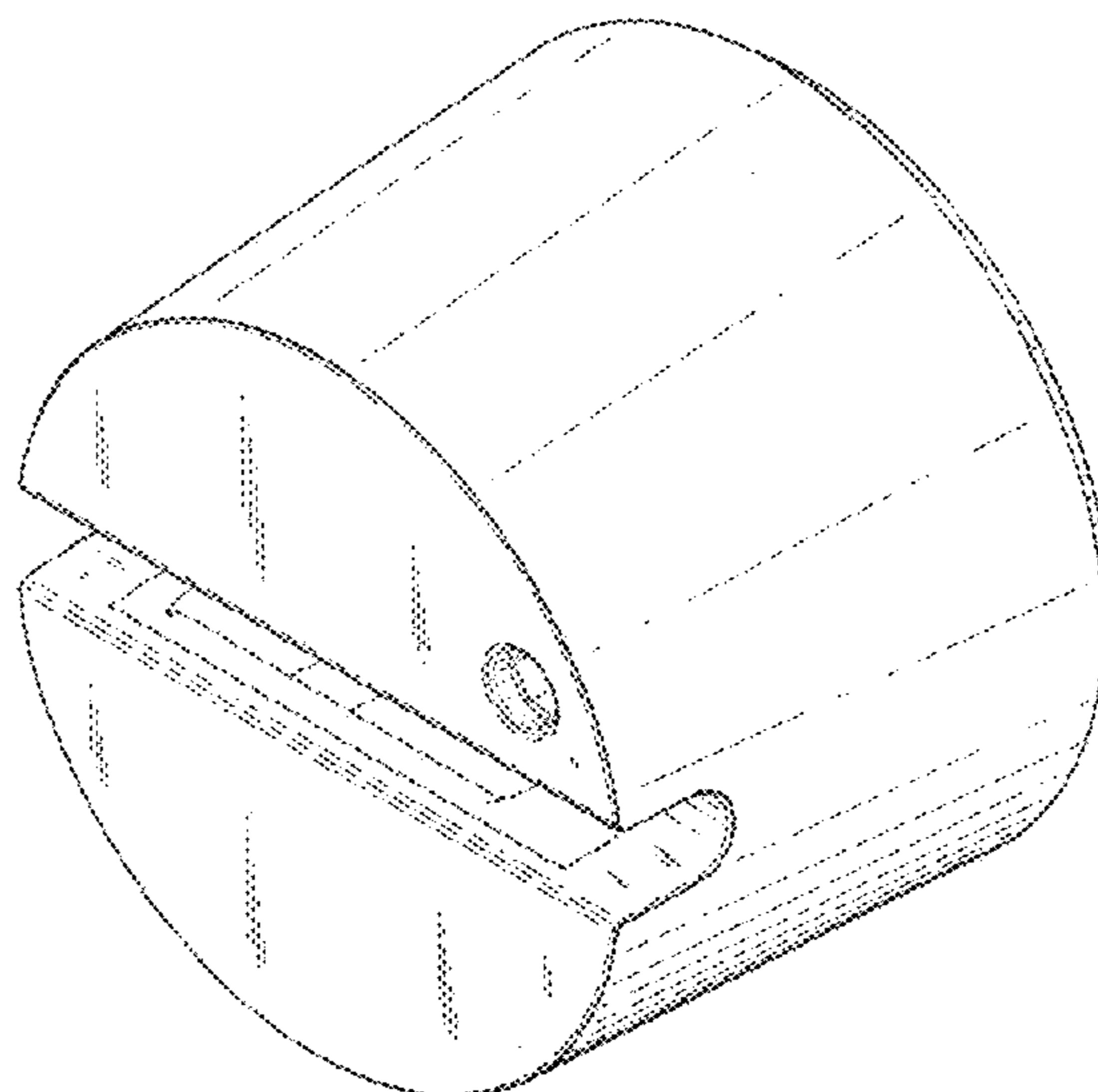
DESCRIPTION

- 1. Lighting fixture
- 1.1 : Perspective
- 1.2 : Perspective
- 1.3 : Front
- 1.4 : Back
- 1.5 : Bottom
- 1.6 : Right
- 1.7 : Left

The broken lines show portions of the lighting fixture that form no part of the claimed design.

1 Claim, 7 Drawing Sheets

(56) **References Cited**
U.S. PATENT DOCUMENTS
D161,206 S * 12/1950 Redlich et al. D7/388
3,189,310 A * 6/1965 Trueson F21S 8/00
248/314



(56)

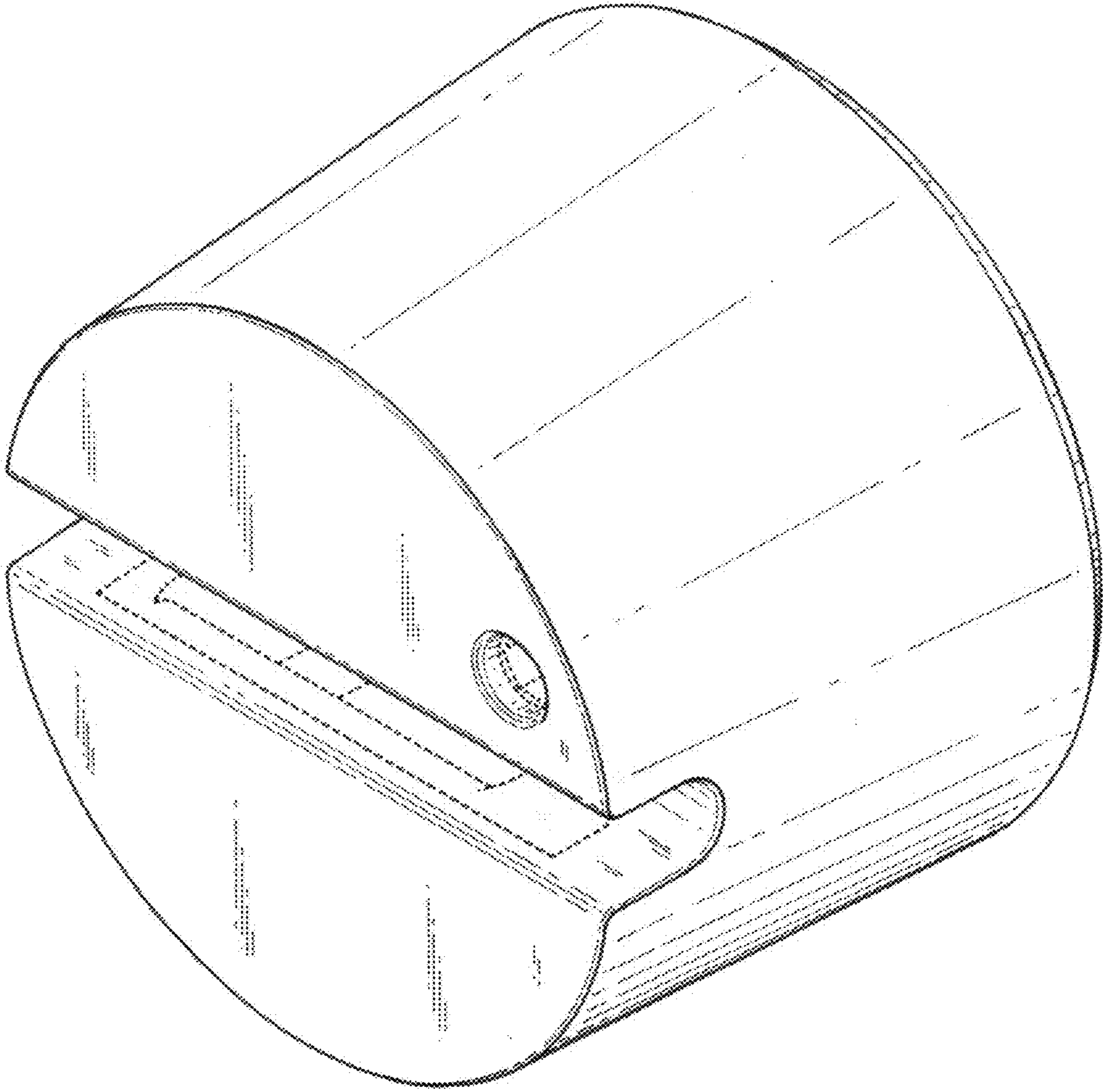
References Cited

U.S. PATENT DOCUMENTS

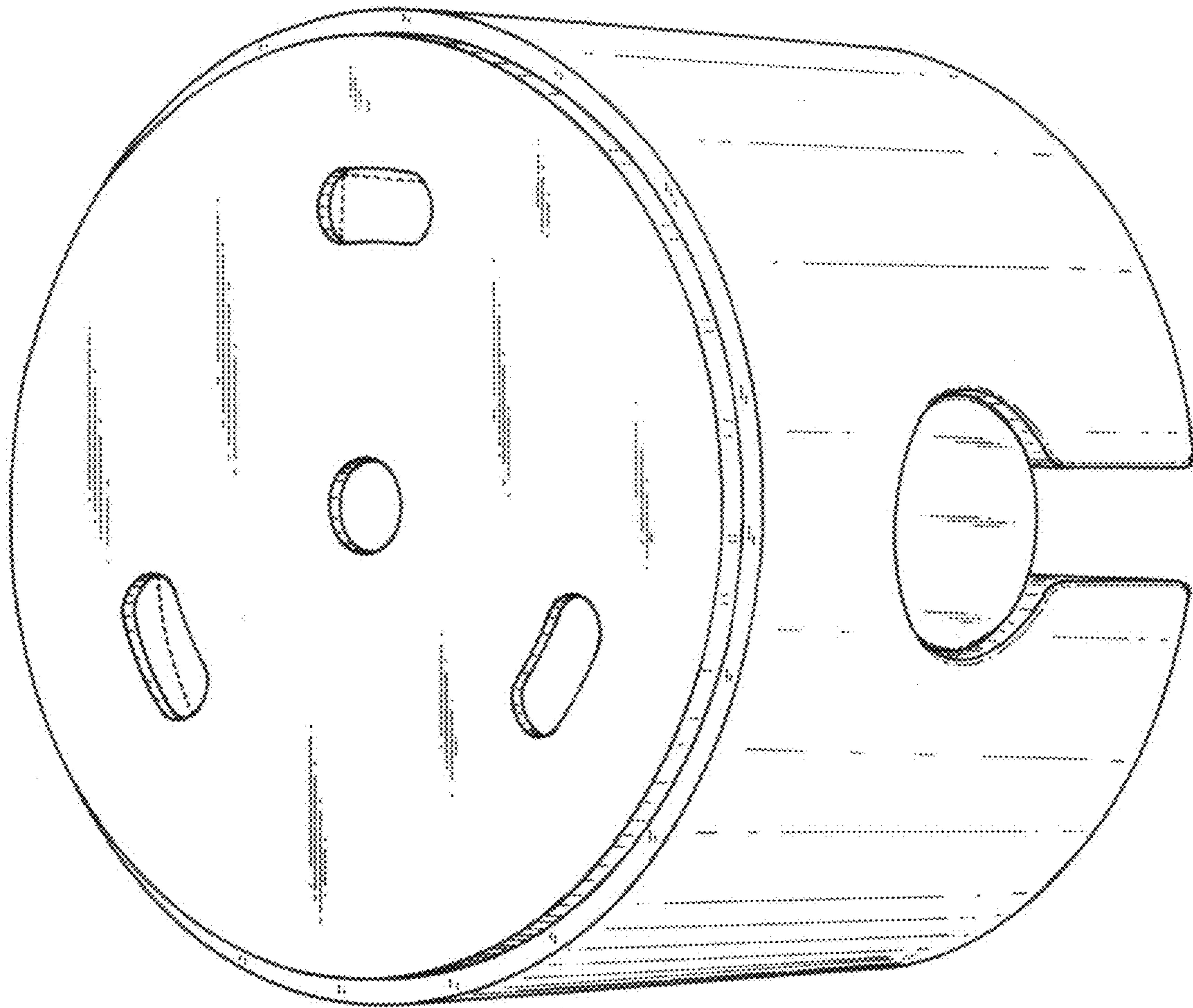
D581,091 S * 11/2008 Hofer D26/142
D610,729 S * 2/2010 Kushinskaya D26/63
D641,615 S * 7/2011 Lin D8/394
D647,658 S * 10/2011 Wauters D26/63
D707,545 S * 6/2014 Schopf D8/394
D721,510 S * 1/2015 Hagerty D6/310
D727,138 S * 4/2015 Cross D8/382
D739,975 S * 9/2015 Campos D26/63
D756,210 S * 5/2016 Downs D8/395
D790,310 S * 6/2017 St. Peter D8/74
D811,099 S * 2/2018 Marchand D6/675
D821,625 S * 6/2018 Couvreur D26/63
D832,482 S * 10/2018 Price D26/63
D840,217 S * 2/2019 Veilleux D8/382
10,295,161 B1 * 5/2019 Shih F21V 21/15
D851,484 S * 6/2019 Veilleux D8/382
D866,309 S * 11/2019 McGrath D8/382
10,557,597 B2 * 2/2020 Hendricks F21V 23/06
D879,355 S * 3/2020 Gillespie D26/93
D886,356 S * 6/2020 Cornelissen D26/85
D886,365 S * 6/2020 Tang D26/138
10,738,953 B2 * 8/2020 Sonneman F21S 8/061
D910,749 S * 2/2021 Stevens D19/91
11,221,129 B2 * 1/2022 Fang H05B 45/10

* cited by examiner

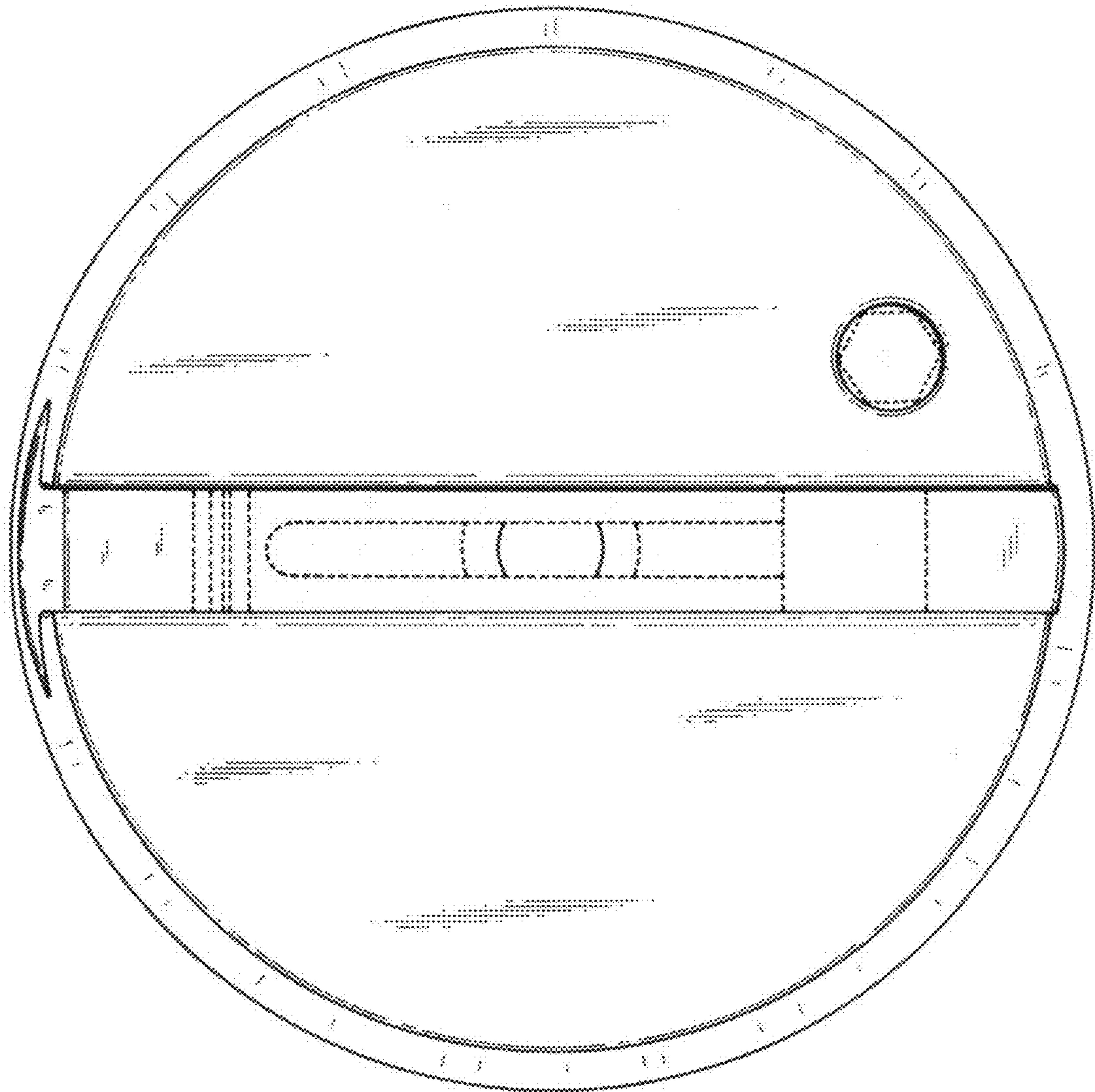
1.1



1.2



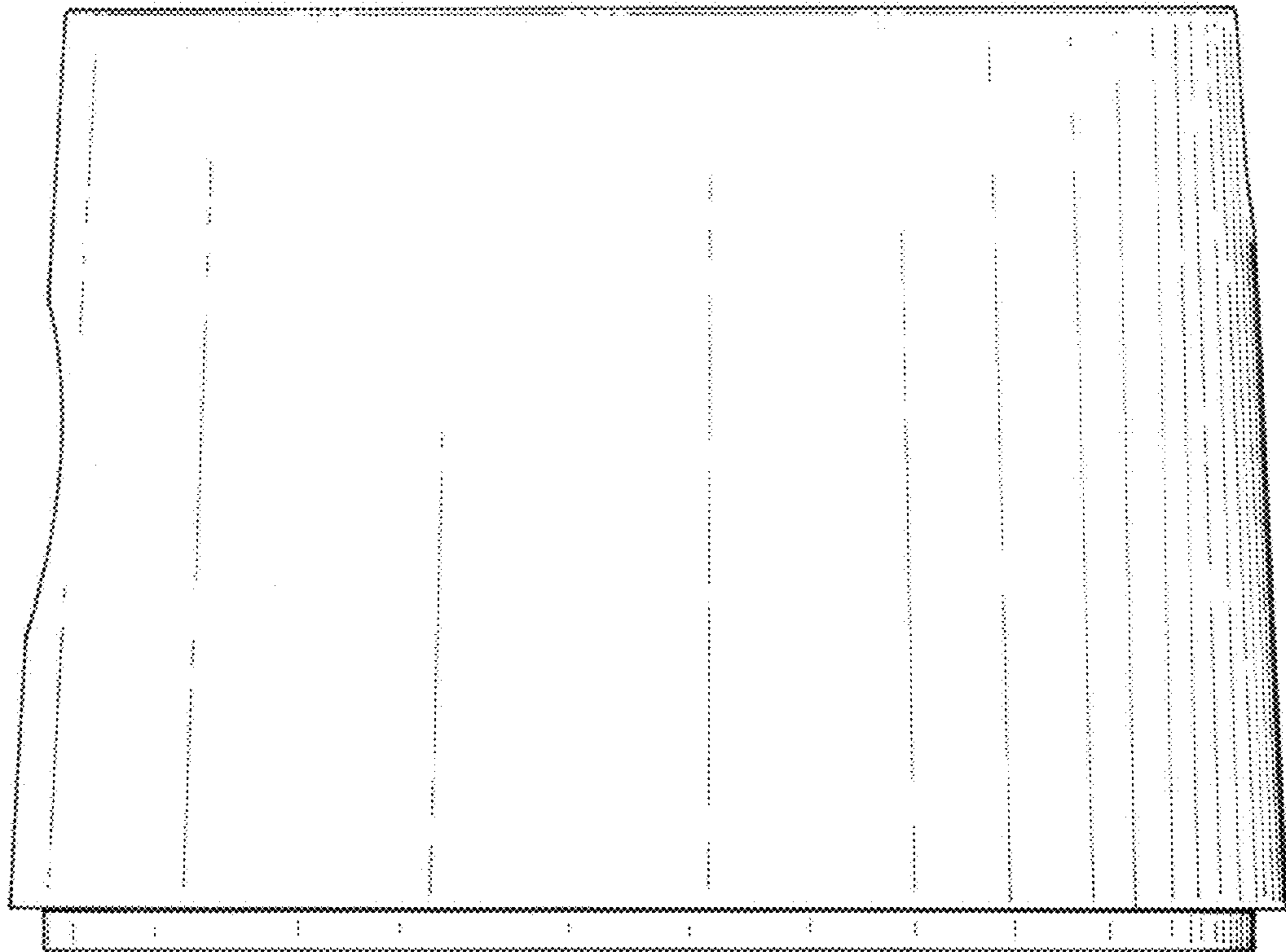
1.3



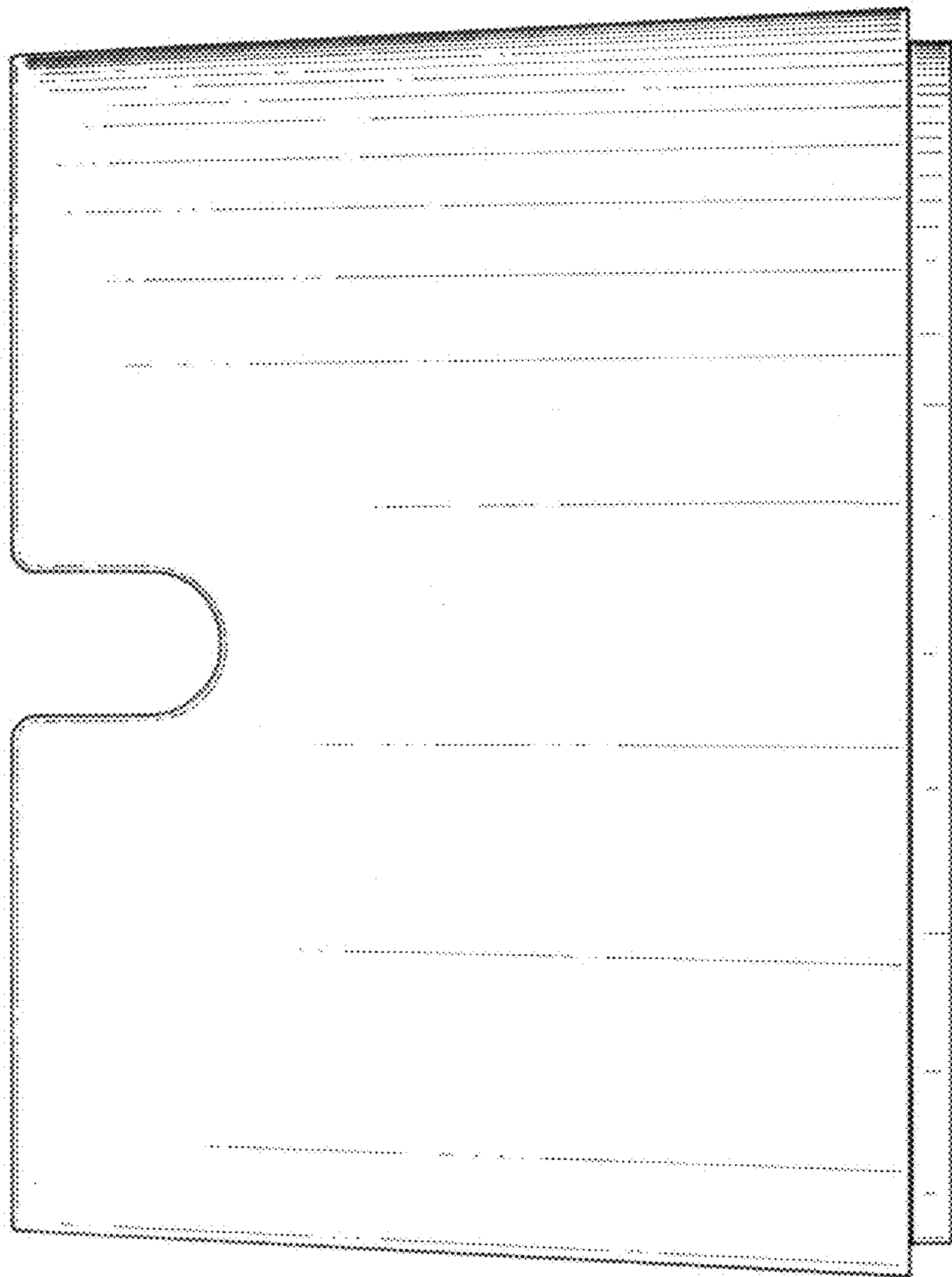
1.4



1.5



1.6



1.7

