



US00D962528S

(12) **United States Design Patent** (10) **Patent No.:** **US D962,528 S**
Huang (45) **Date of Patent:** **** Aug. 30, 2022**

(54) **FLOOR LAMP**

D939,131 S * 12/2021 Gao D26/106
D945,050 S * 3/2022 Song D26/65
D950,137 S * 4/2022 Chen D26/93

(71) Applicant: **SPRING LIGHTING GROUP LIMITED**, Shenzhen (CN)

(72) Inventor: **Yu Huang**, Shenzhen (CN)

(73) Assignee: **SPRING LIGHTING GROUP LIMITED**, Shenzhen (CN)

(**) Term: **15 Years**

(21) Appl. No.: **29/800,963**

(22) Filed: **Jul. 26, 2021**

(51) **LOC (13) Cl.** **26-05**

(52) **U.S. Cl.**
USPC **D26/93**

(58) **Field of Classification Search**
USPC D26/24, 51, 56, 61, 63, 64, 65, 93, 94,
D26/100, 106, 107
CPC F21S 6/00; F21S 6/002; F21S 6/003; F21S
6/004; F21S 6/005; F21S 6/006; F21S
8/036; F21V 21/06; F21V 21/14; F21V
21/26; F21V 21/30
See application file for complete search history.

(56) **References Cited**

U.S. PATENT DOCUMENTS

D415,805 S * 10/1999 Wygonik D16/244
D465,054 S * 10/2002 Lau D26/93
D557,855 S * 12/2007 Schrade D26/106
D594,588 S * 6/2009 Fanning D26/93
D674,533 S * 1/2013 Nalitchaev D26/104
D747,536 S * 1/2016 Huh D26/107
D824,084 S 7/2018 Hendifar et al.
D860,510 S * 9/2019 Greenberg D26/88
D863,638 S 10/2019 Zhou et al.
D876,702 S * 2/2020 Genovese D26/90
D903,934 S * 12/2020 Moses D26/88
D906,584 S * 12/2020 Moses D26/88

OTHER PUBLICATIONS

Amazon.com, Corner Floor Lamp by SUNX, Sep. 2, 2021, <https://www.amazon.com/SUNX-Changing-Minimalist-Dimmable-Bluetooth/dp/B09F97QYS6/> (Year: 2021).*

* cited by examiner

Primary Examiner — Nathan M Johnston

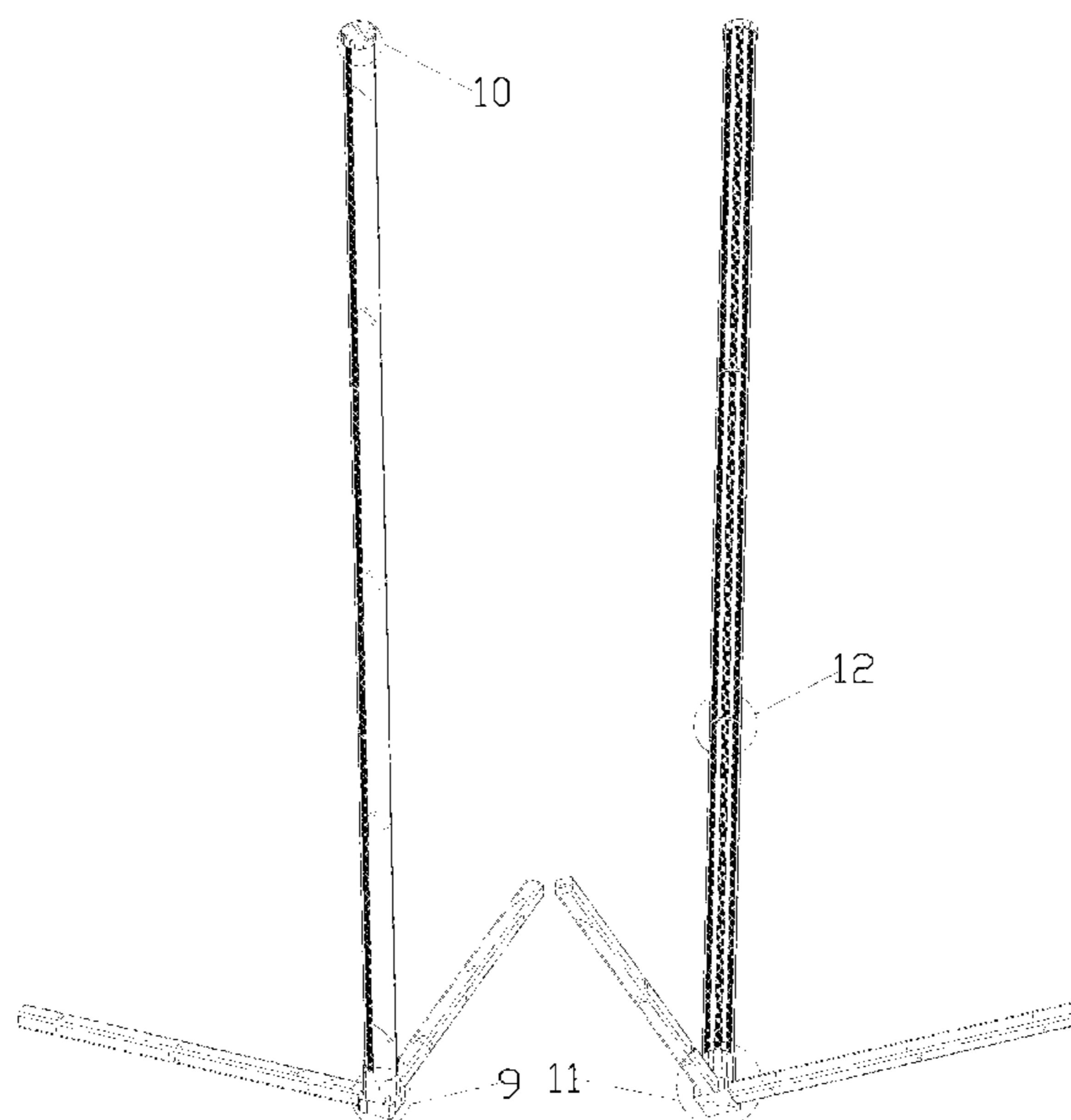
(57) **CLAIM**

The ornamental design for a floor lamp, as shown and described.

DESCRIPTION

FIG. 1 is a perspective view of a floor lamp showing my new design;
FIG. 2 is another perspective view thereof;
FIG. 3 is a front elevational view thereof;
FIG. 4 is a rear elevational view thereof;
FIG. 5 is a left side elevational view thereof;
FIG. 6 is a right side elevational view thereof;
FIG. 7 is a top plan view thereof;
FIG. 8 is a bottom plan view thereof;
FIG. 9 is an enlarged view of portion 9 shown in FIG. 1;
FIG. 10 is an enlarged view of portion 10 shown in FIG. 1;
FIG. 11 is an enlarged view of portion 11 shown in FIG. 2;
and,
FIG. 12 is an enlarged view of portion 12 shown in FIG. 2.
The dash-dash broken lines in the drawings depict portions of the floor lamp that form no part of the claimed design. The dot-dash broken lines represent boundaries of the enlarged portions and form no part of the claimed design.

1 Claim, 12 Drawing Sheets



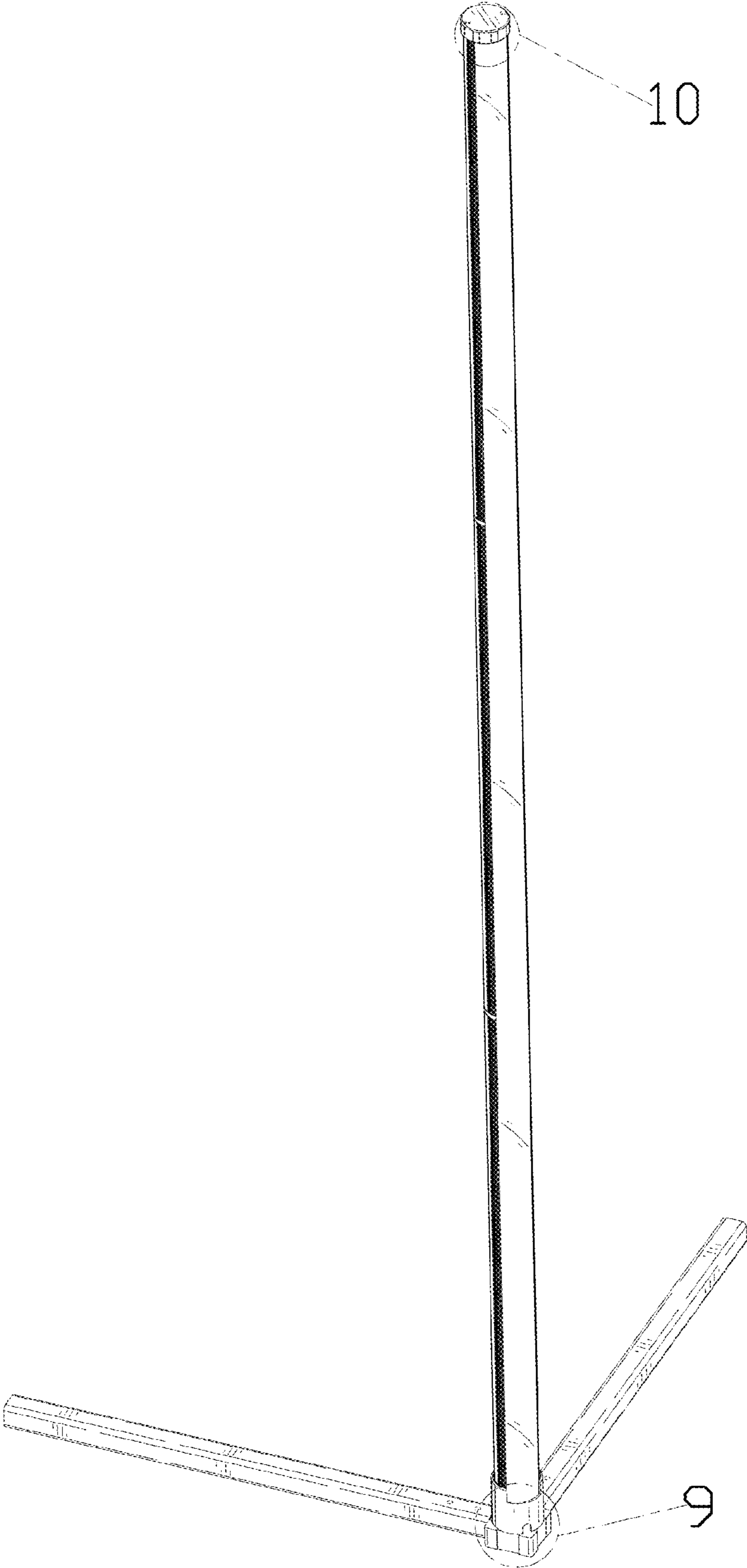


FIG. 1

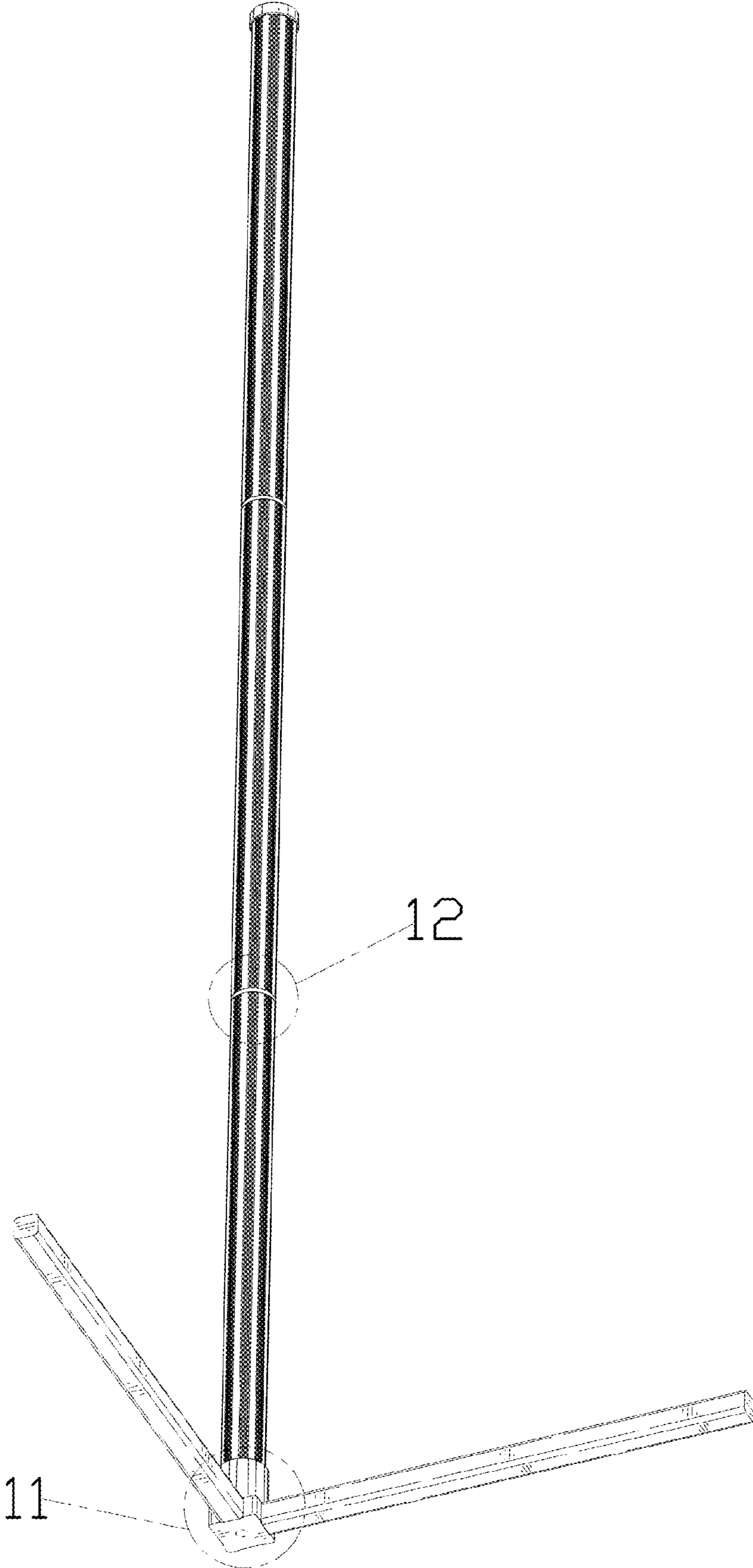


FIG. 2

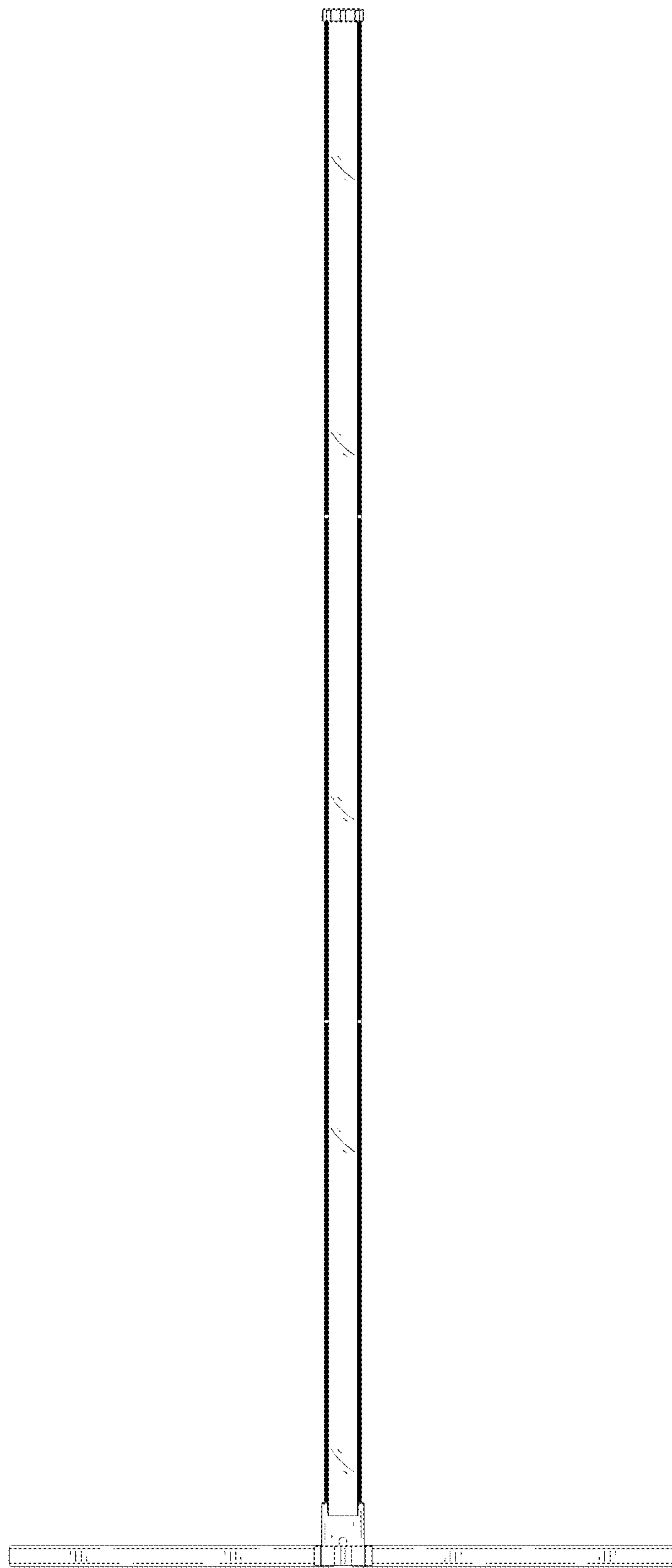


FIG. 3

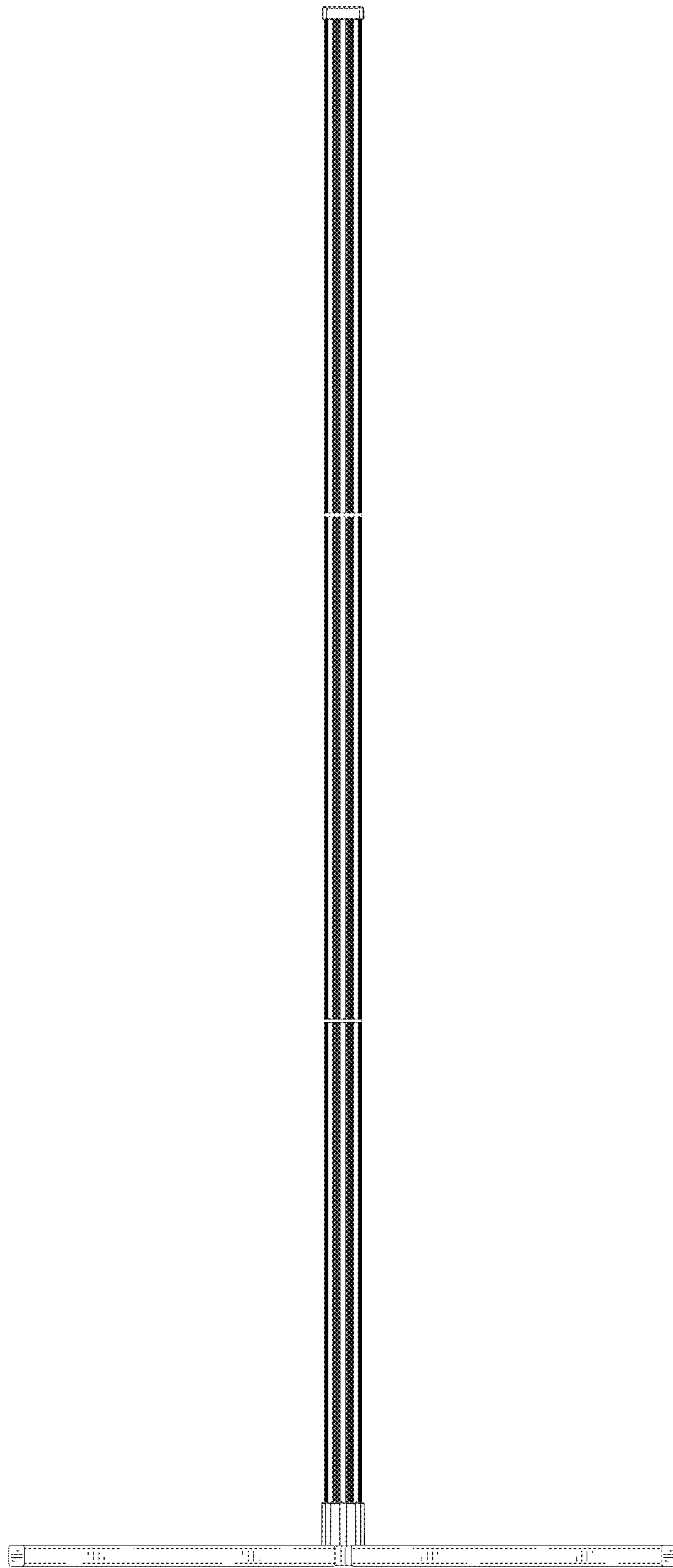


FIG. 4

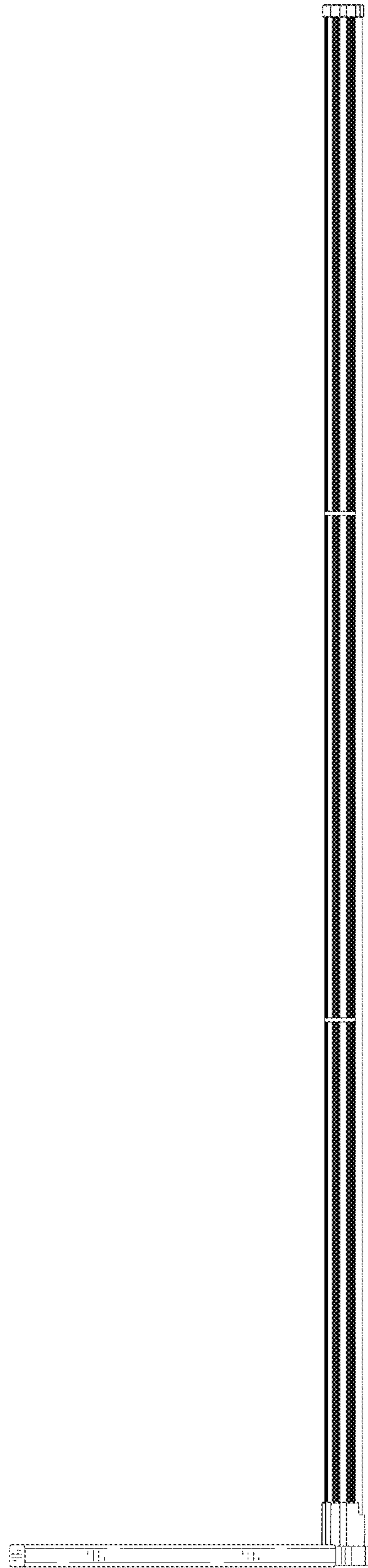


FIG. 5

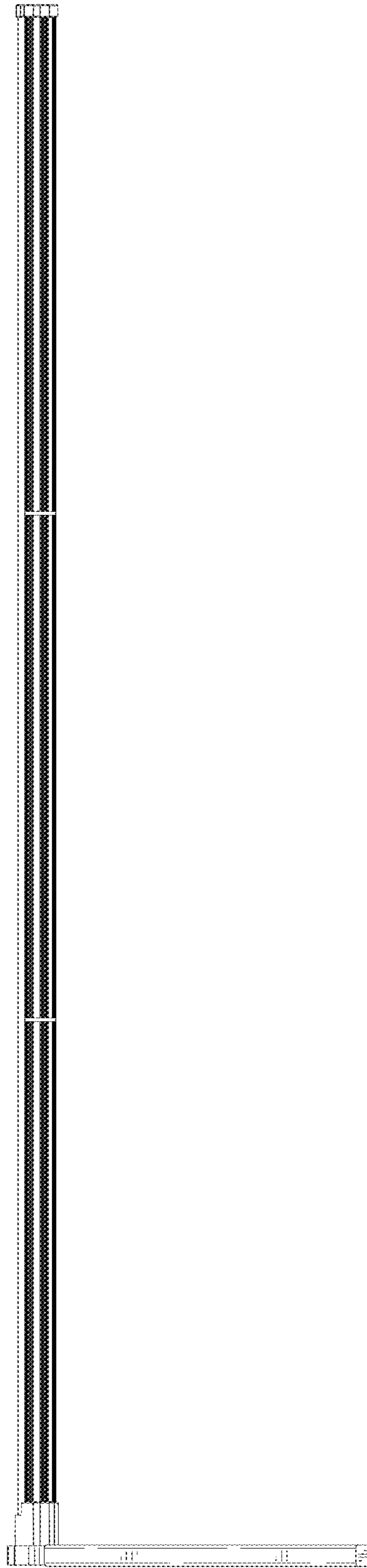


FIG. 6

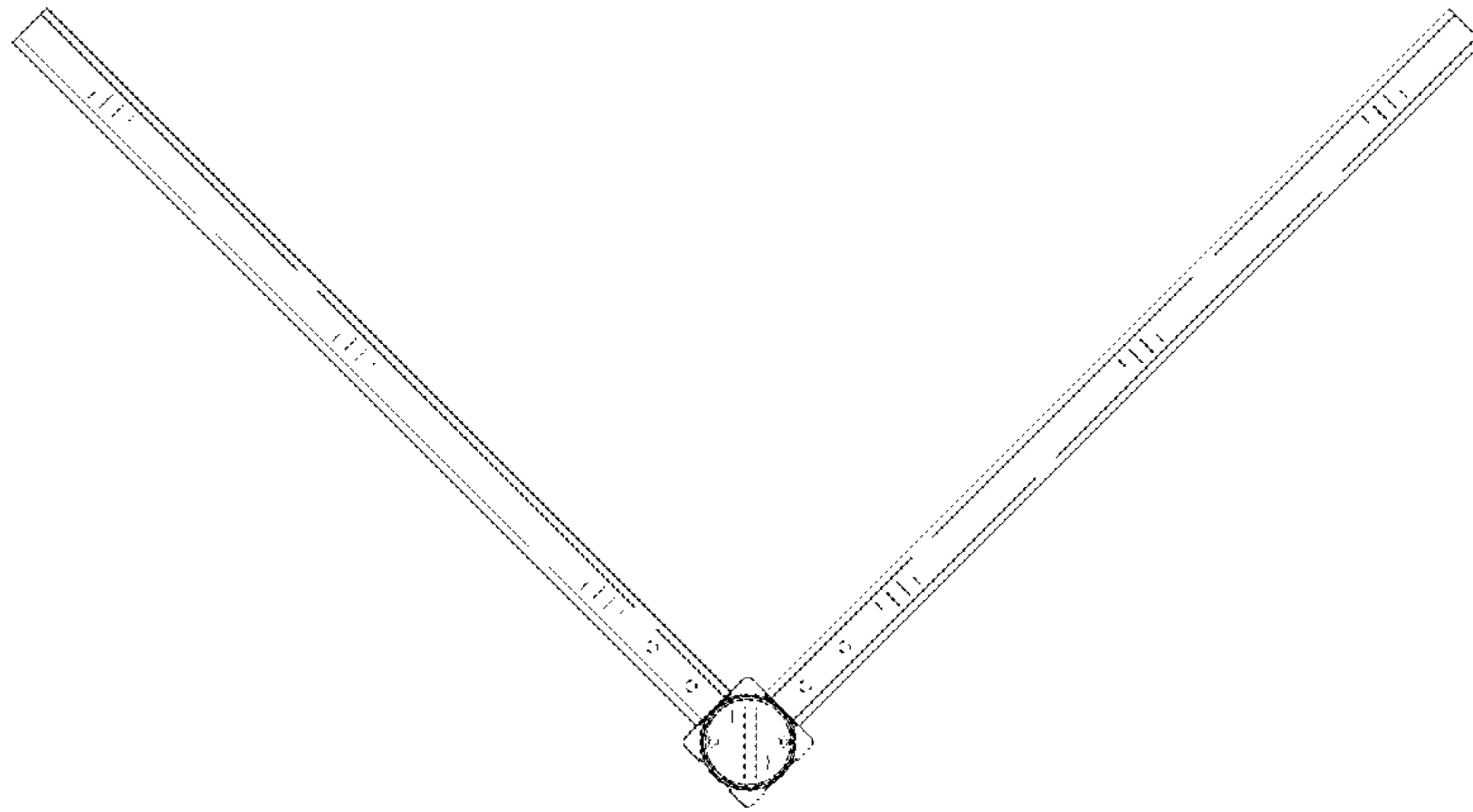


FIG. 7

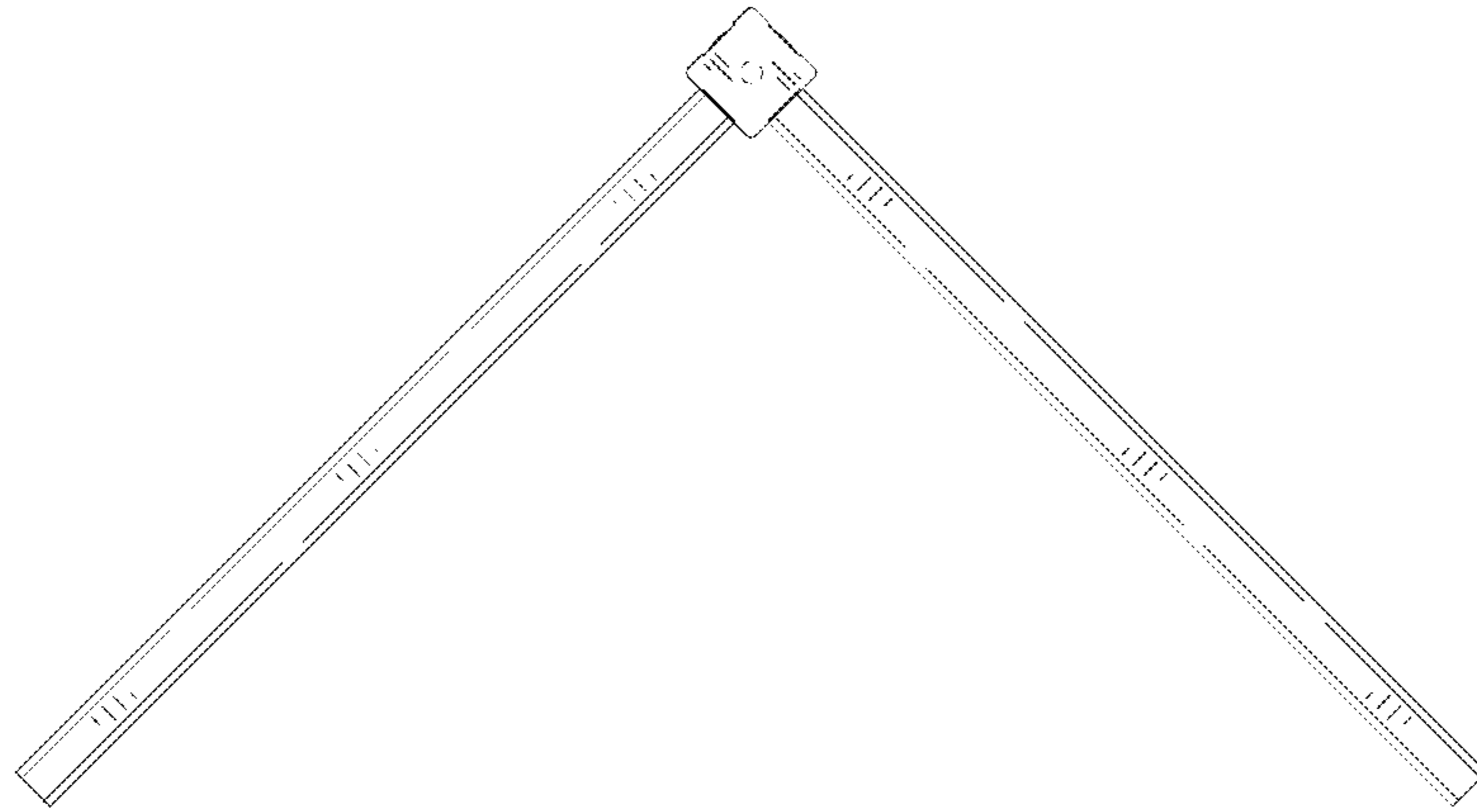


FIG. 8

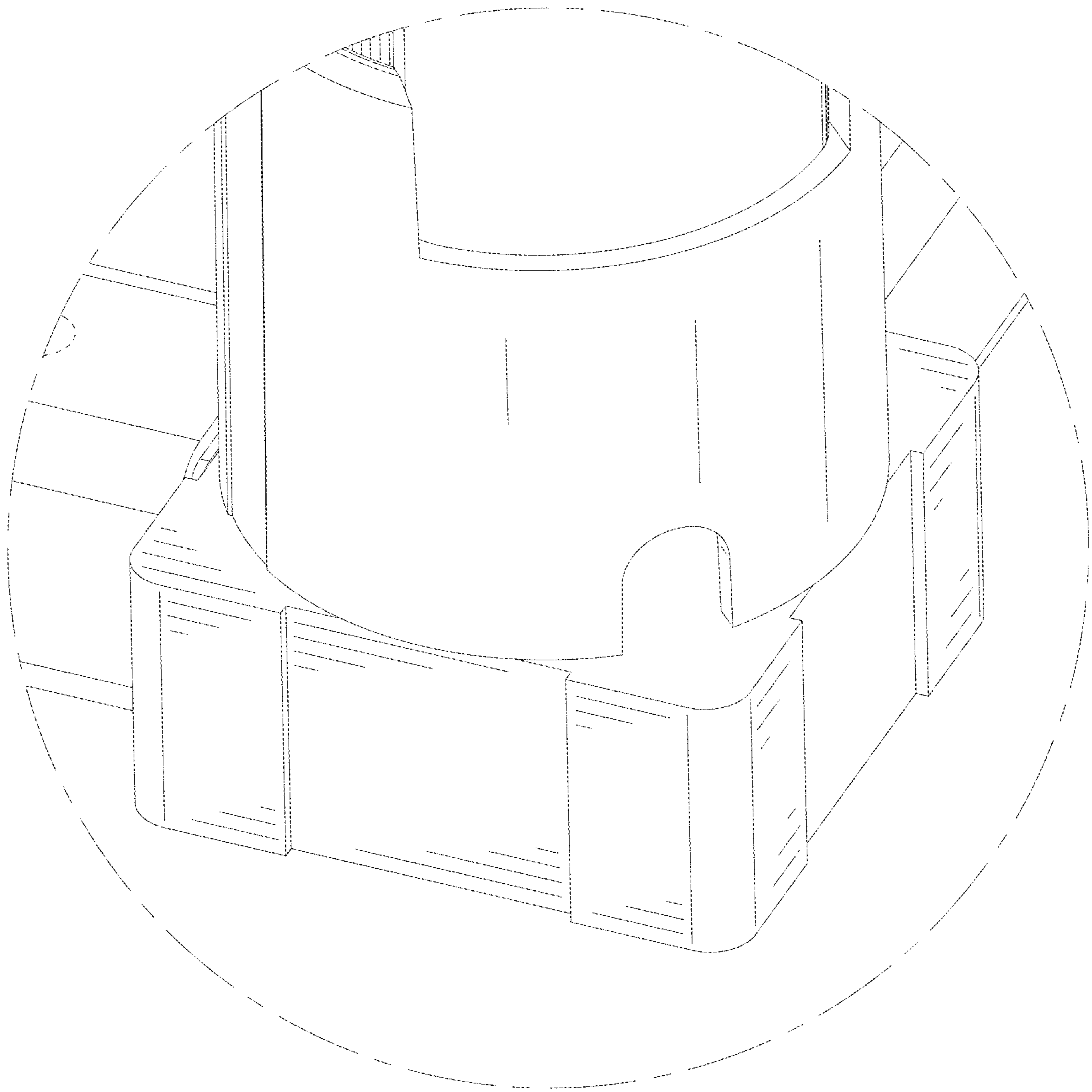


FIG. 9

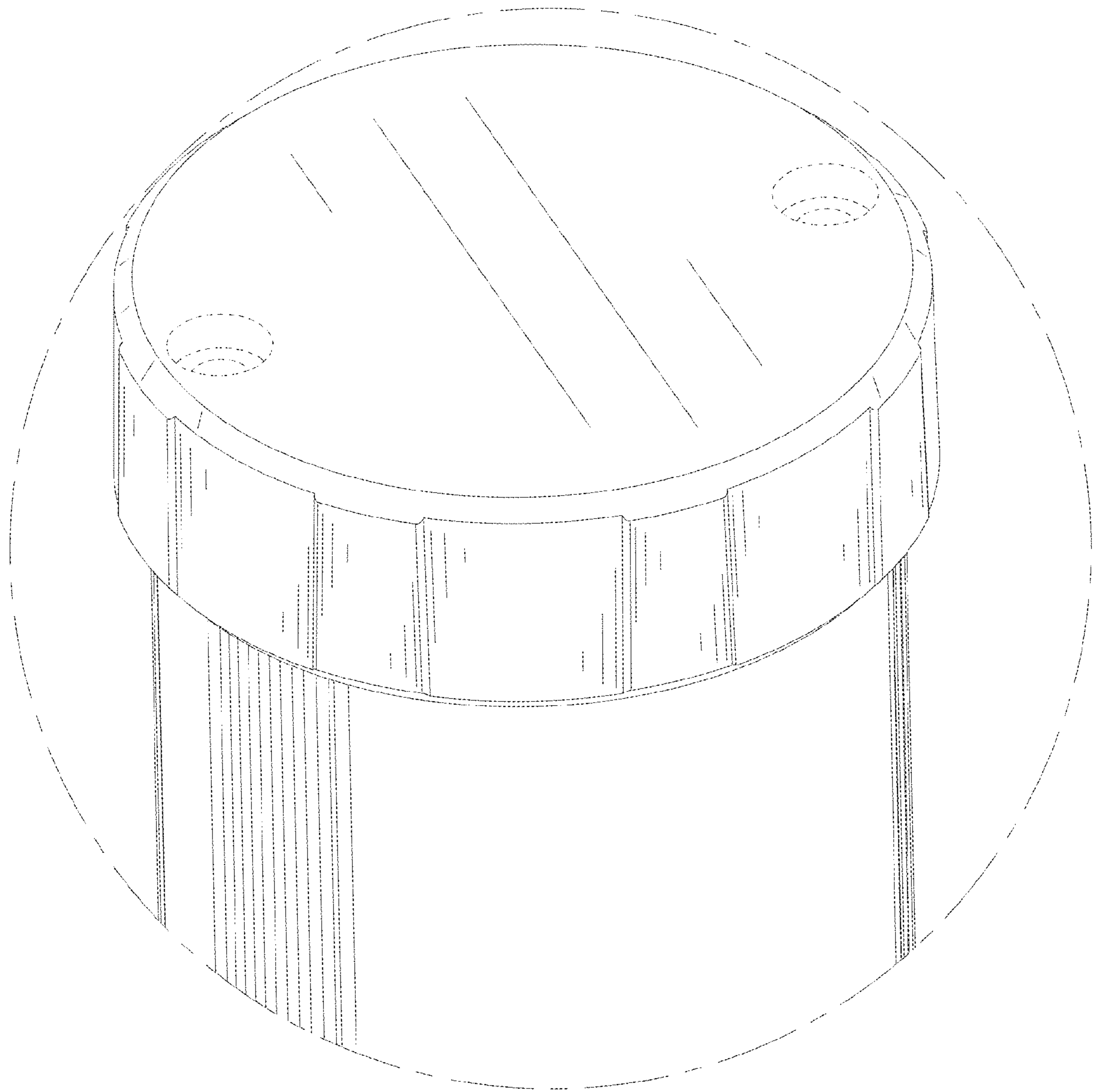


FIG. 10

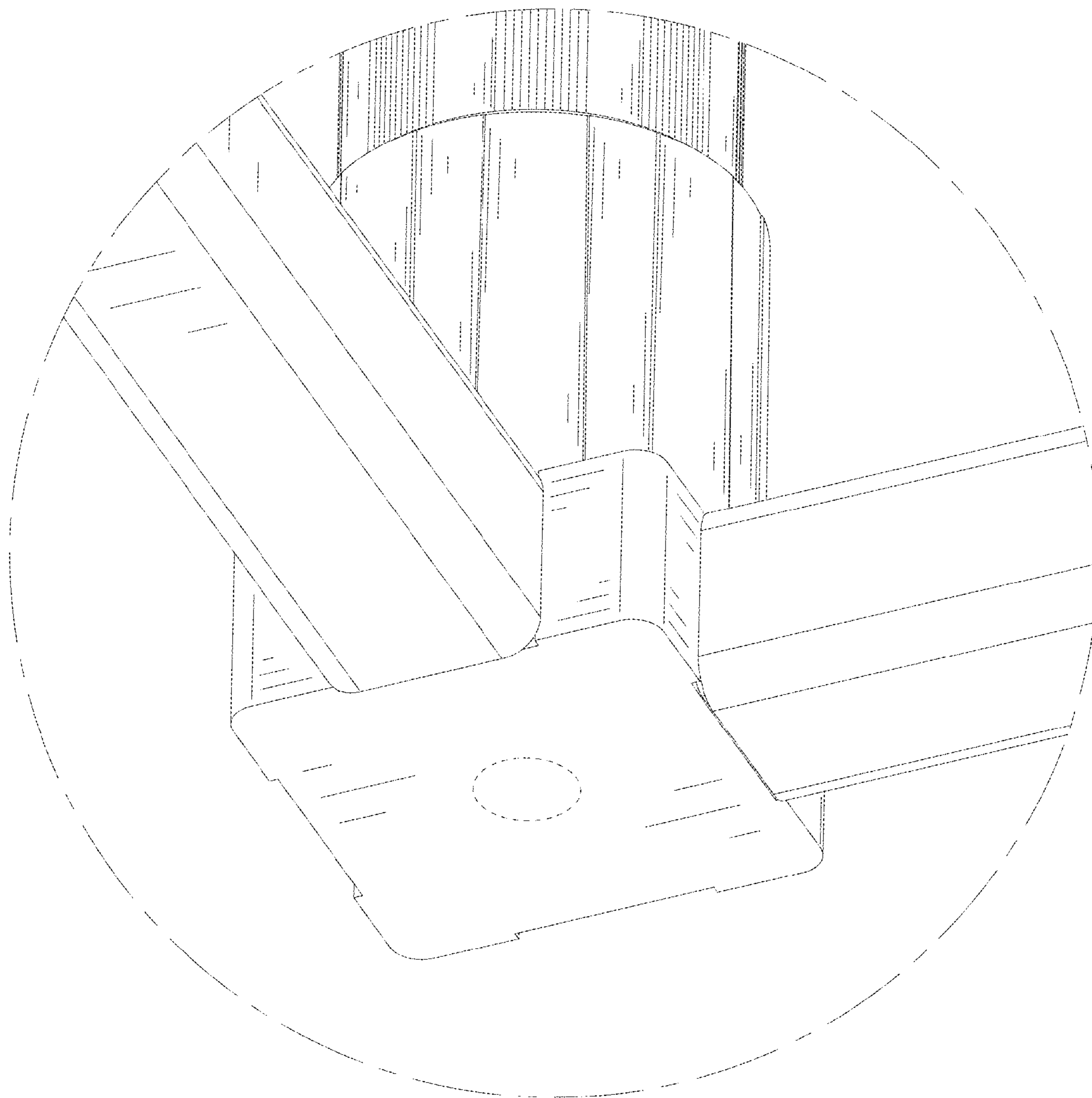


FIG. 11

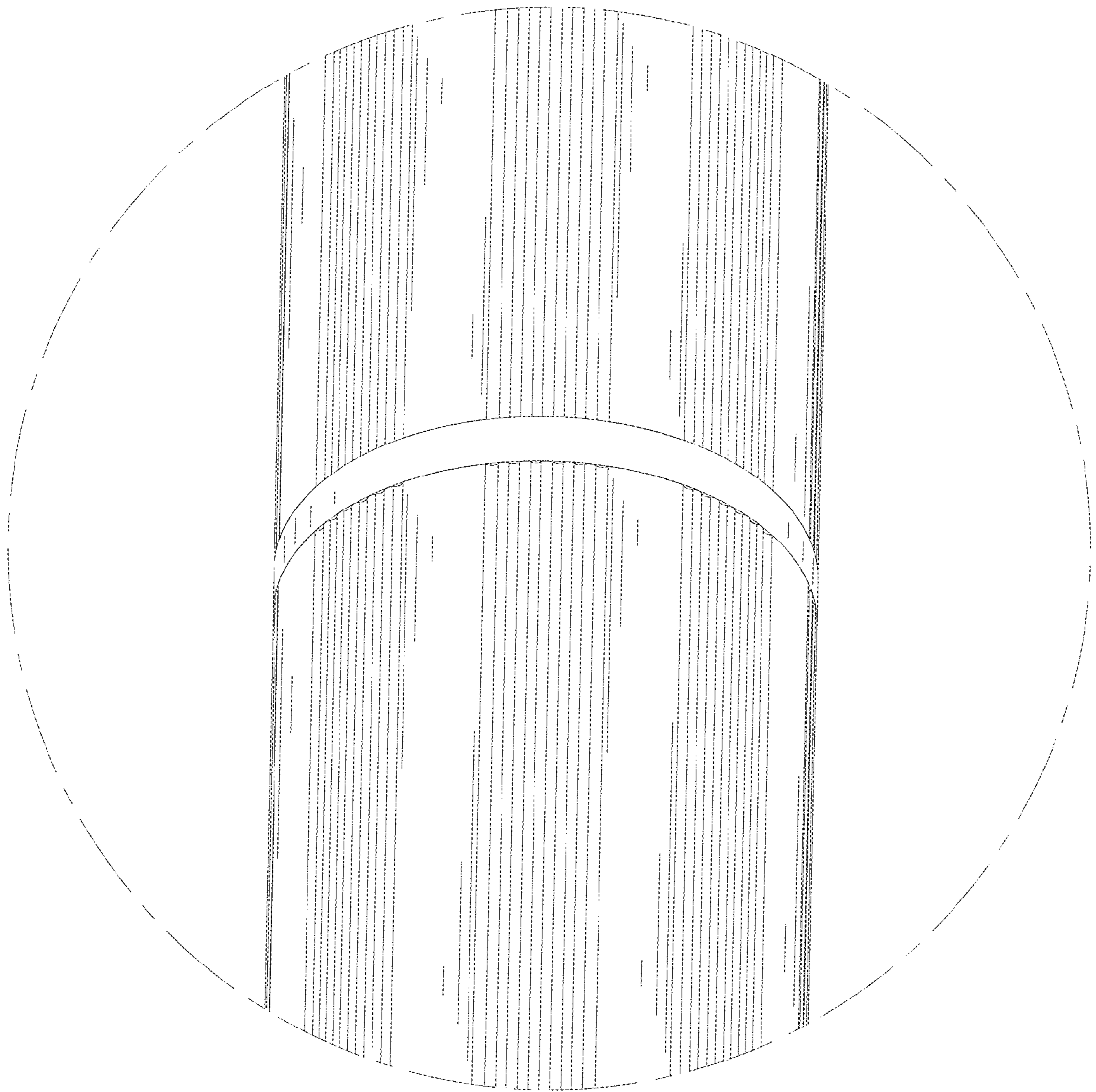


FIG. 12