



US00D962526S

(12) **United States Design Patent** (10) **Patent No.:** **US D962,526 S**  
**Amato et al.** (45) **Date of Patent:** **\*\* Aug. 30, 2022**

(54) **LIGHTING FIXTURE**  
(71) Applicant: **The Urban Electric Company**, North Charleston, SC (US)  
(72) Inventors: **Michael Amato**, London (GB); **David Dawson**, Charleston, SC (US); **Joeangel Casanova**, Brooklyn, NY (US); **Christopher Roof**, Charleston, SC (US); **Brianna Magagnoli**, North Charleston, SC (US); **Janis Golubeckis**, Mount Pleasant, SC (US)  
(73) Assignee: **The Urban Electric Company**, North Charleston, SC (US)  
(\*\*) Term: **15 Years**  
(21) Appl. No.: **29/749,989**  
(22) Filed: **Sep. 10, 2020**  
(51) **LOC (13) Cl.** ..... **26-05**  
(52) **U.S. Cl.**  
USPC ..... **D26/89**  
(58) **Field of Classification Search**  
USPC ..... D26/72, 80-92  
CPC .... F21S 8/04; F21S 8/043; F21S 8/046; F21S 8/06; F21S 8/061; F21S 8/063; F21S 8/065; F21S 8/066; F21S 8/068  
See application file for complete search history.

D742,054 S \* 10/2015 Fisher ..... D26/85  
D747,824 S \* 1/2016 Stolte ..... F21V 29/83  
D26/89  
D786,485 S \* 5/2017 Amato ..... D26/106  
D801,571 S \* 10/2017 Hohaus ..... F21S 8/033  
D26/92  
D804,702 S \* 12/2017 Miller ..... D26/88  
(Continued)

**OTHER PUBLICATIONS**

Hudson Valley Lighting, Adams Flush-Mount Light. First available unknown. Searched on Jun. 24, 2022. [https://www.hvlgroup.com/Product/2114-AGB] (Year: 2022).\*  
(Continued)

*Primary Examiner* — Samantha Q Lawrence  
*Assistant Examiner* — Melissa Adriane Santos  
(74) *Attorney, Agent, or Firm* — Haynsworth Sinkler Boyd, P.A.

(57) **CLAIM**

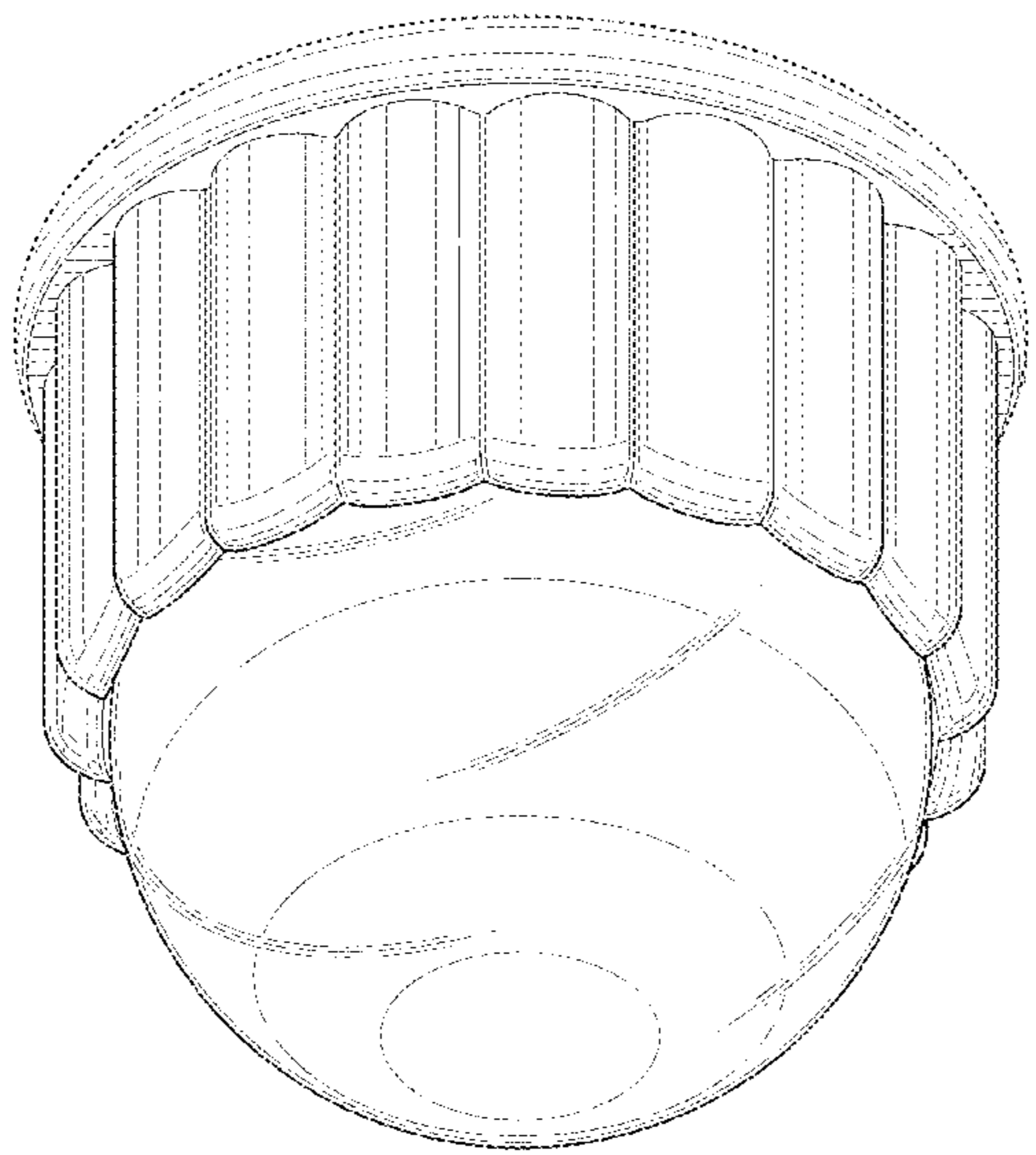
The ornamental design for a lighting fixture, as shown and described.

**DESCRIPTION**

FIG. 1 is a bottom perspective view of a lighting fixture depicting a new design;  
FIG. 2 is a top perspective view thereof;  
FIG. 3 is a front elevational view thereof;  
FIG. 4 is a back elevational view thereof;  
FIG. 5 is a left elevational view thereof;  
FIG. 6 is a right elevational view thereof;  
FIG. 7 is a top plan view thereof; and,  
FIG. 8 is a bottom plan view thereof.  
The dashed lines extending from the lighting fixture in FIGS. 3-6 represent environmental structure which forms no part of the claimed design. The remaining broken line disclosures in the views represent portions of the lighting fixture that form no part of the claimed design.

**1 Claim, 8 Drawing Sheets**

(56) **References Cited**  
U.S. PATENT DOCUMENTS  
D339,203 S \* 9/1993 Namenye ..... D26/85  
D390,996 S \* 2/1998 Lin ..... D26/85  
D443,713 S \* 6/2001 Benensohn ..... D26/72  
D463,611 S \* 9/2002 Thompson ..... D26/124  
D465,599 S \* 11/2002 Thompson ..... D26/89  
D614,794 S \* 4/2010 Sabernig ..... D26/89  
D634,456 S \* 3/2011 Jones ..... D26/74  
7,972,036 B1 \* 7/2011 Schach ..... F21V 29/773  
362/345



(56)

**References Cited**

U.S. PATENT DOCUMENTS

D828,941 S	*	9/2018	Holmes	.....	D26/89
D835,827 S	*	12/2018	Amato	.....	D13/134
D837,440 S	*	1/2019	Amato	.....	D26/88
D849,983 S	*	5/2019	Neal	.....	D26/72
D861,223 S	*	9/2019	Roselló	.....	D26/72
D874,052 S	*	1/2020	Lavin	.....	F21V 7/048
					D26/138
D885,637 S	*	5/2020	Amato	.....	D26/89
D898,958 S	*	10/2020	Xiao	.....	D26/24
D907,280 S	*	1/2021	Zeng	.....	D26/104
D933,870 S	*	10/2021	Zhang	.....	D26/89

OTHER PUBLICATIONS

Hudson Valley Lighting, Ainsley Flush-Mount Light. First available unknown. Searched on Jun. 24, 2022. [<https://www.hvlgroup.com/Product/1430-AGB>] (Year: 2022).\*

Hudson Valley Lighting, Lydia Flush-Mount Light. First available unknown. Searched on Jun. 24, 2022. [<https://www.hvlgroup.com/Product/H340502-AGB>] (Year: 2022).\*

Visual Comfort, Palati Small Sconce. First available unknown. Searched on Jun. 24, 2022. [<https://www.circalighting.com/palati-small-sconce-s2440/>] (Year: 2022).\*

\* cited by examiner

FIG. 1

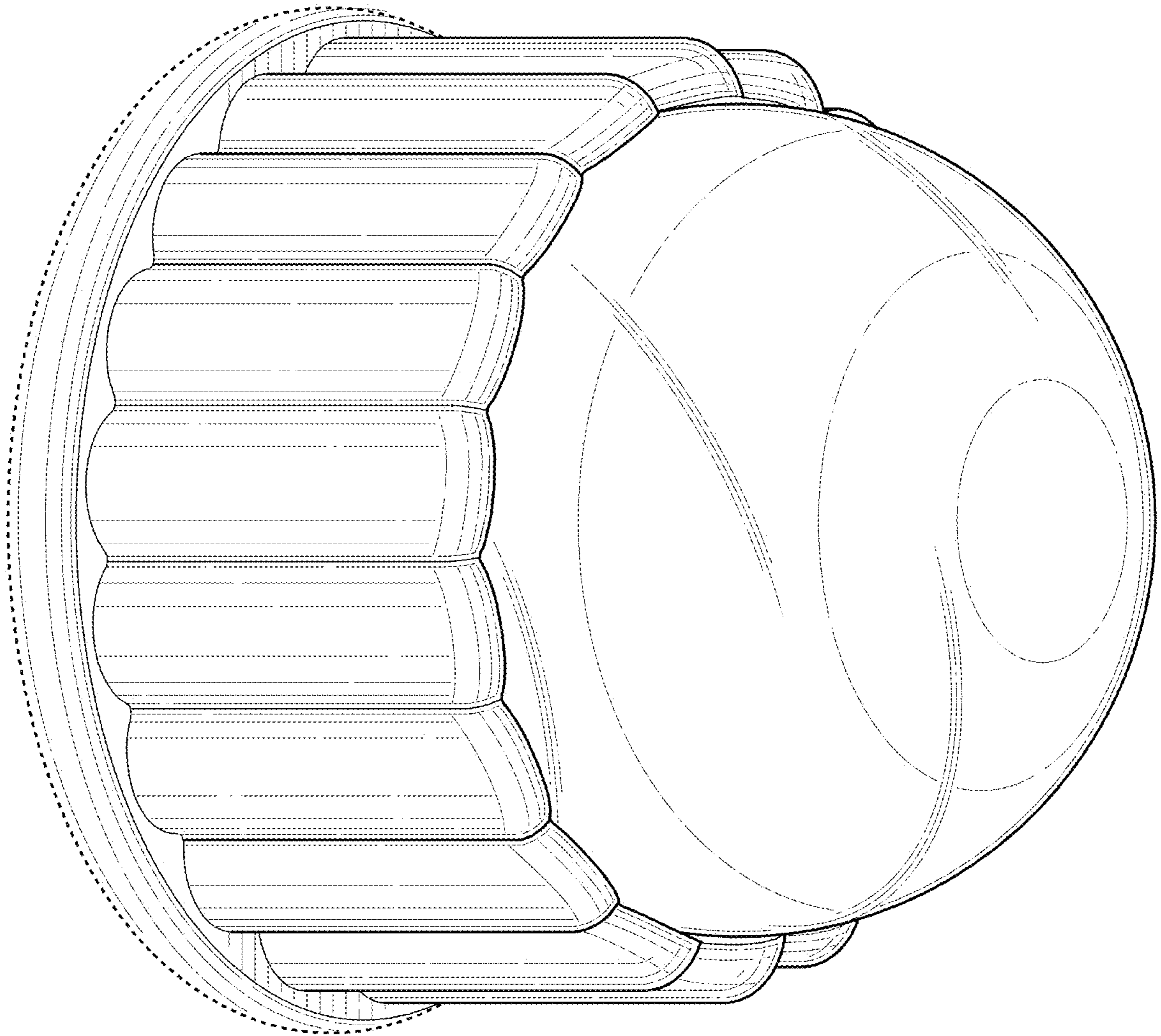


FIG. 2

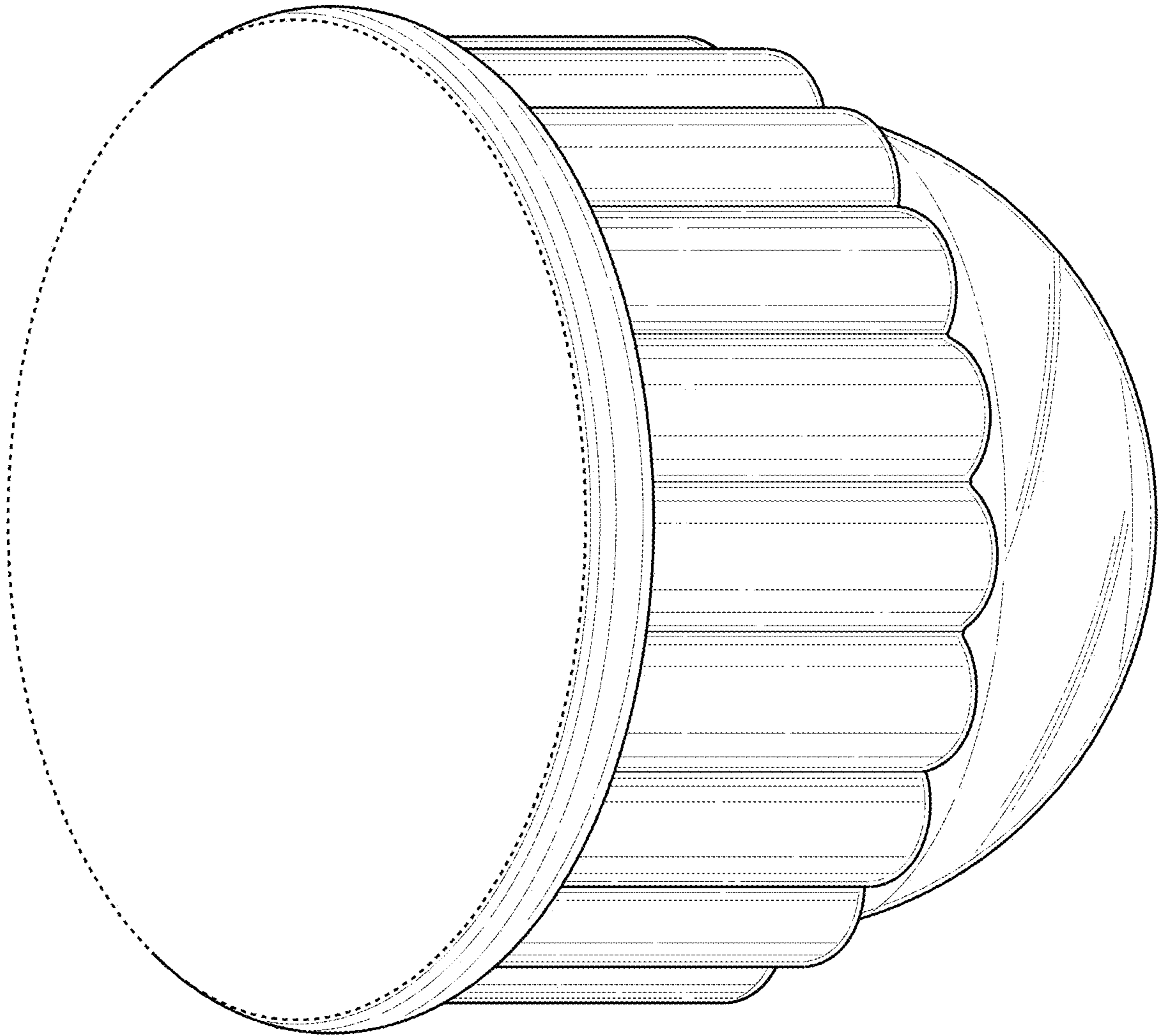


FIG. 3

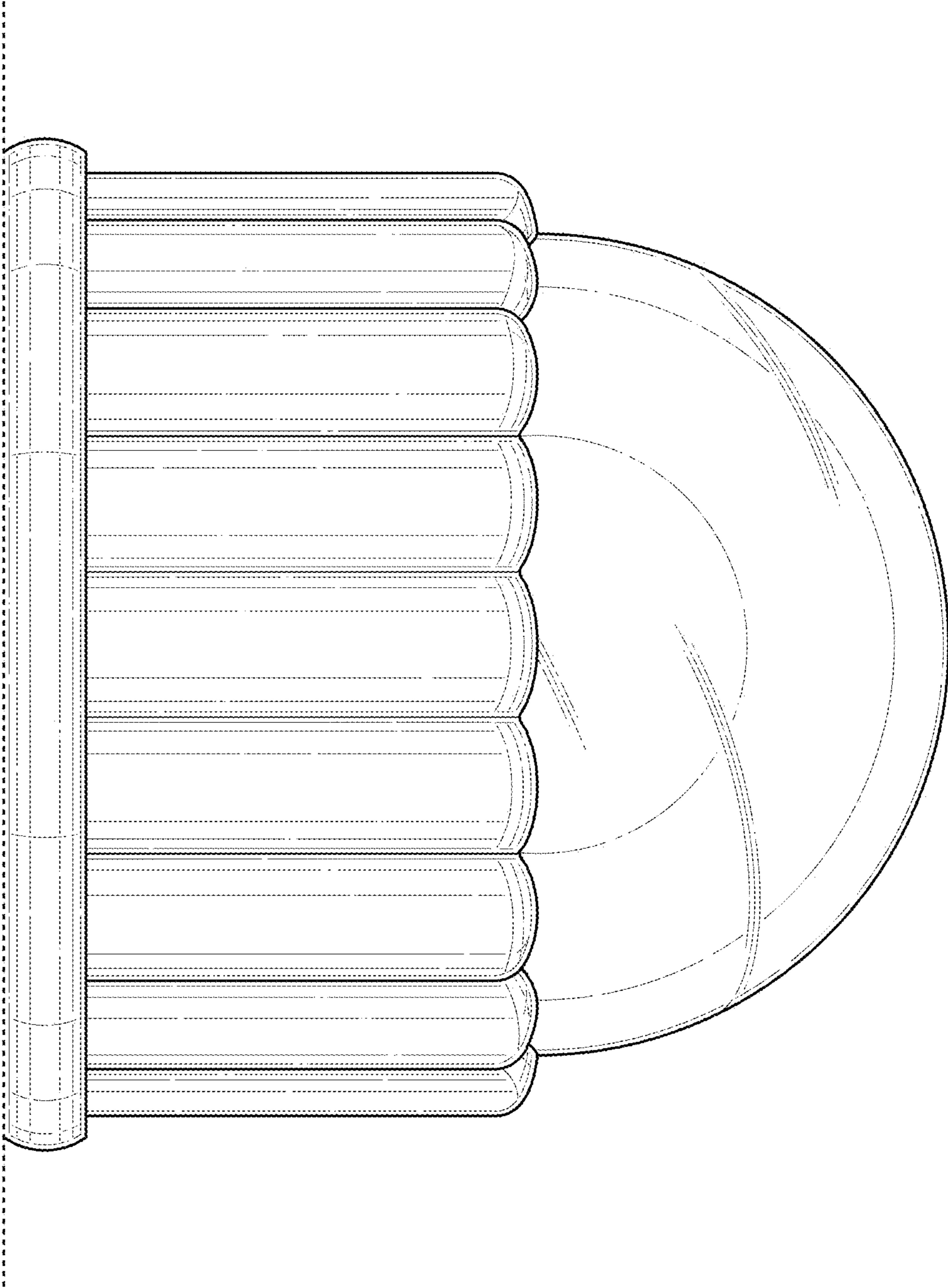


FIG. 4

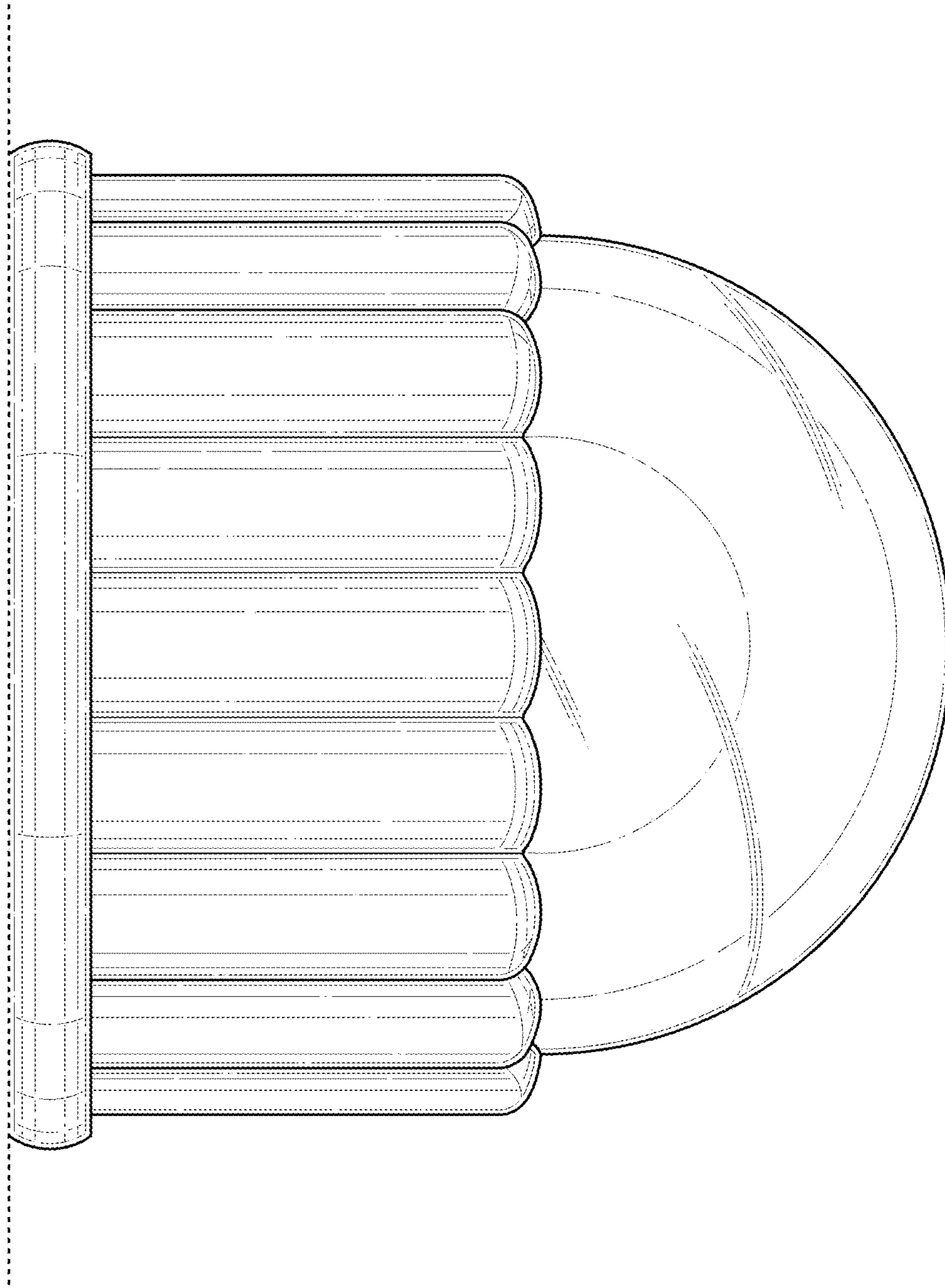


FIG. 5

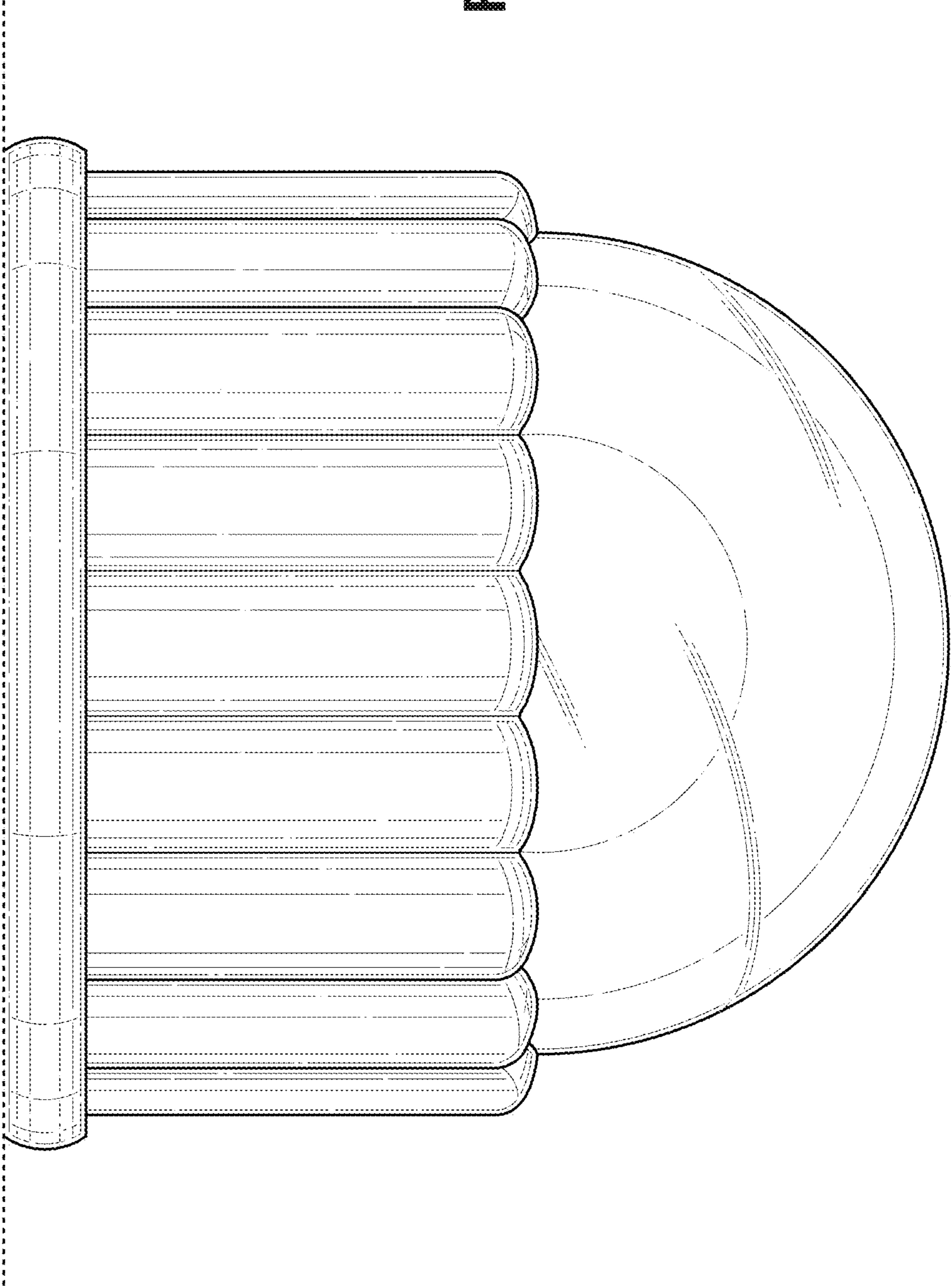


FIG. 6

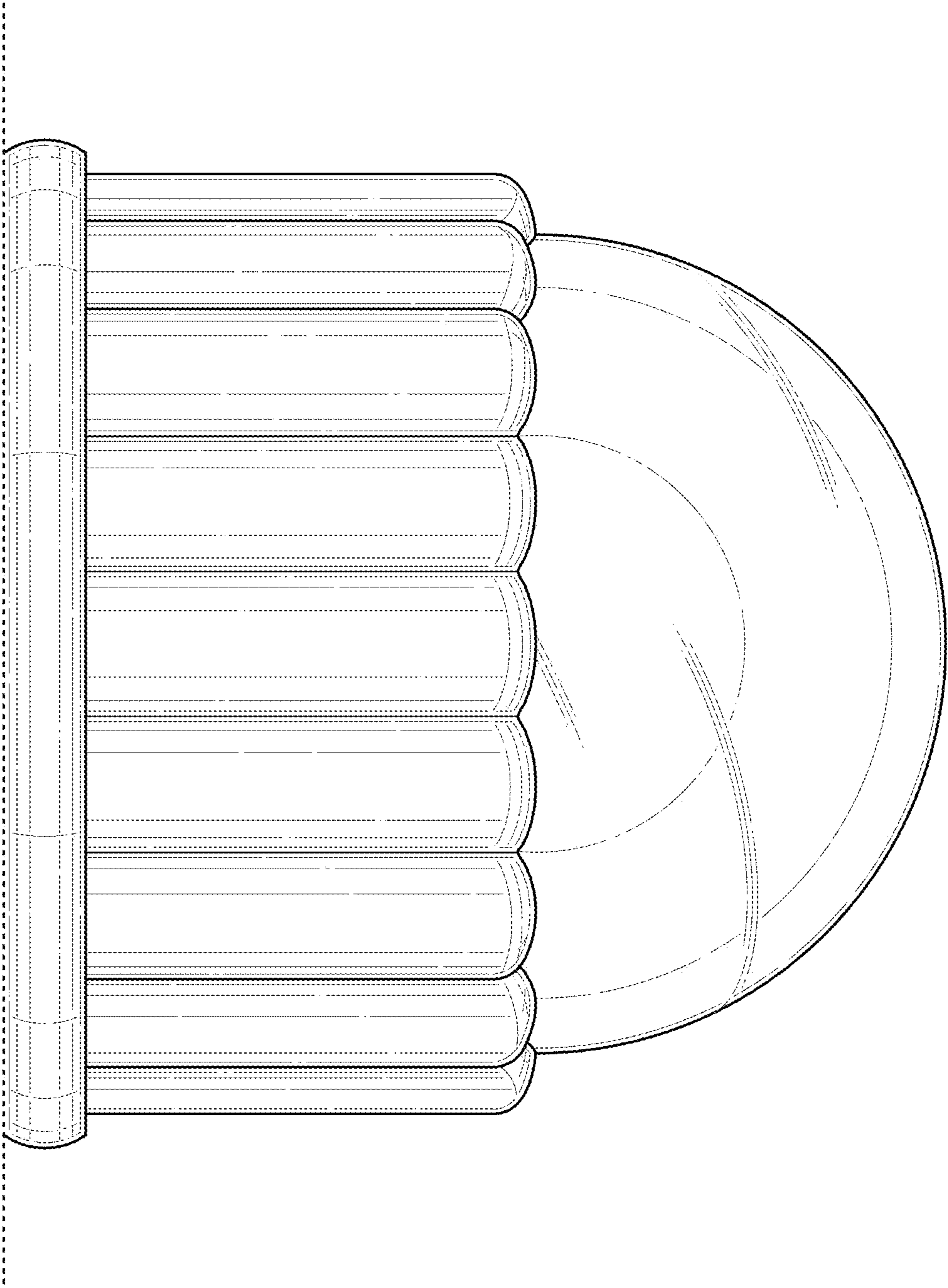




FIG. 7

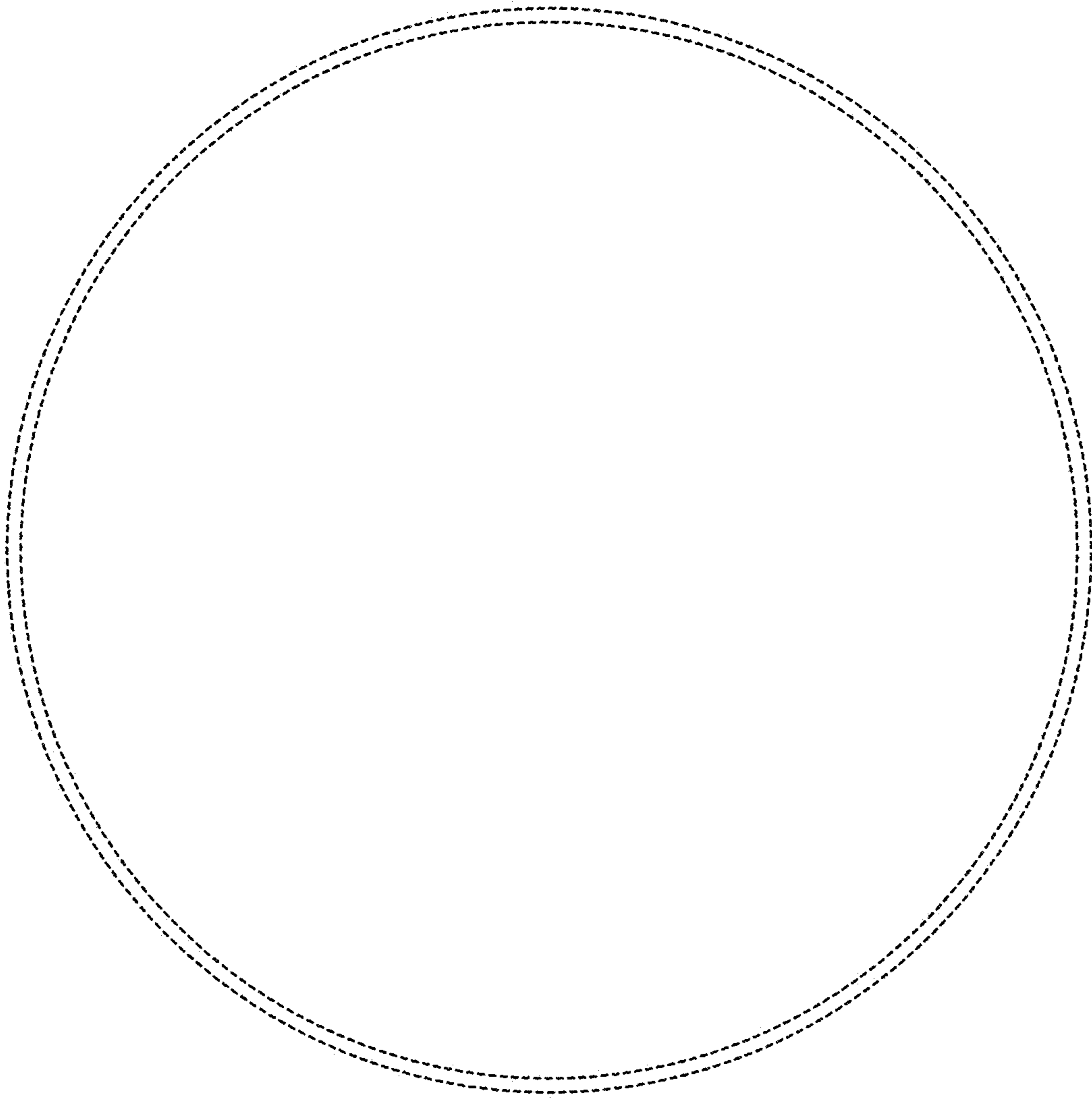


FIG. 8

