

US00D962525S

(12) **United States Design Patent**
Lin

(10) **Patent No.:** **US D962,525 S**

(45) **Date of Patent:** **** Aug. 30, 2022**

(54) **LAMP**

(71) Applicant: **Qiuqiang Lin**, Zhanjiang (CN)

(72) Inventor: **Qiuqiang Lin**, Zhanjiang (CN)

(**) Term: **15 Years**

(21) Appl. No.: **29/787,074**

(22) Filed: **Jun. 4, 2021**

(51) **LOC (13) Cl.** **D26/03**

(52) **U.S. Cl.**

USPC **D26/87**; D26/86

(58) **Field of Classification Search**

USPC D26/72, 80, 85, 86, 87, 92

CPC F21S 8/03; F21S 8/033; F21S 8/036; F21S 8/038

See application file for complete search history.

(56) **References Cited**

U.S. PATENT DOCUMENTS

D391,662 S	*	3/1998	Miranda	D26/87
D558,383 S	*	12/2007	Bickler	D26/63
D575,437 S	*	8/2008	Bickler	D26/86
D686,770 S	*	7/2013	Orozco	D26/86
D694,938 S	*	12/2013	Dolan	D26/87
D712,571 S		9/2014	Zetsche		
D754,906 S	*	4/2016	Smith	D26/80
D785,820 S		5/2017	Gao et al.		
D845,535 S	*	4/2019	Van Duysen	D26/137
D845,536 S	*	4/2019	Van Duysen	D26/137
D882,149 S	*	4/2020	Lin	D26/86
D887,617 S	*	6/2020	Wang	D26/86
D910,899 S	*	2/2021	Zheng	D26/86
D916,352 S	*	4/2021	Zeng	D26/86

(Continued)

OTHER PUBLICATIONS

Chosenior 3-Light Bathroom Vanity Light Fixture ASIN: B092D957VK.
Available from amazon.com Apr. 13, 2021. (Year: 2021).*

(Continued)

Primary Examiner — Clare E Heflin

(57) **CLAIM**

The ornamental design for a lamp, as shown and described.

DESCRIPTION

FIG. 1 is a perspective view of a first embodiment of a lamp showing my new design;

FIG. 2 is another perspective view thereof;

FIG. 3 is a front elevational view thereof;

FIG. 4 is a rear elevational view thereof;

FIG. 5 is a left side elevational view thereof;

FIG. 6 is a right side elevational view thereof;

FIG. 7 is a top plan view thereof;

FIG. 8 is a bottom plan view thereof;

FIG. 9 is a perspective view of a second embodiment of the lamp showing my new design;

FIG. 10 is another perspective view thereof;

FIG. 11 is a front elevational view thereof;

FIG. 12 is a rear elevational view thereof;

FIG. 13 is a left side elevational view thereof;

FIG. 14 is a right side elevational view thereof;

FIG. 15 is a top plan view thereof;

FIG. 16 is a bottom plan view thereof;

FIG. 17 is a perspective view of the third embodiment of the lamp showing my new design;

FIG. 18 is another perspective view thereof;

FIG. 19 is a front elevational view thereof;

FIG. 20 is a rear elevational view thereof;

FIG. 21 is a left side elevational view thereof;

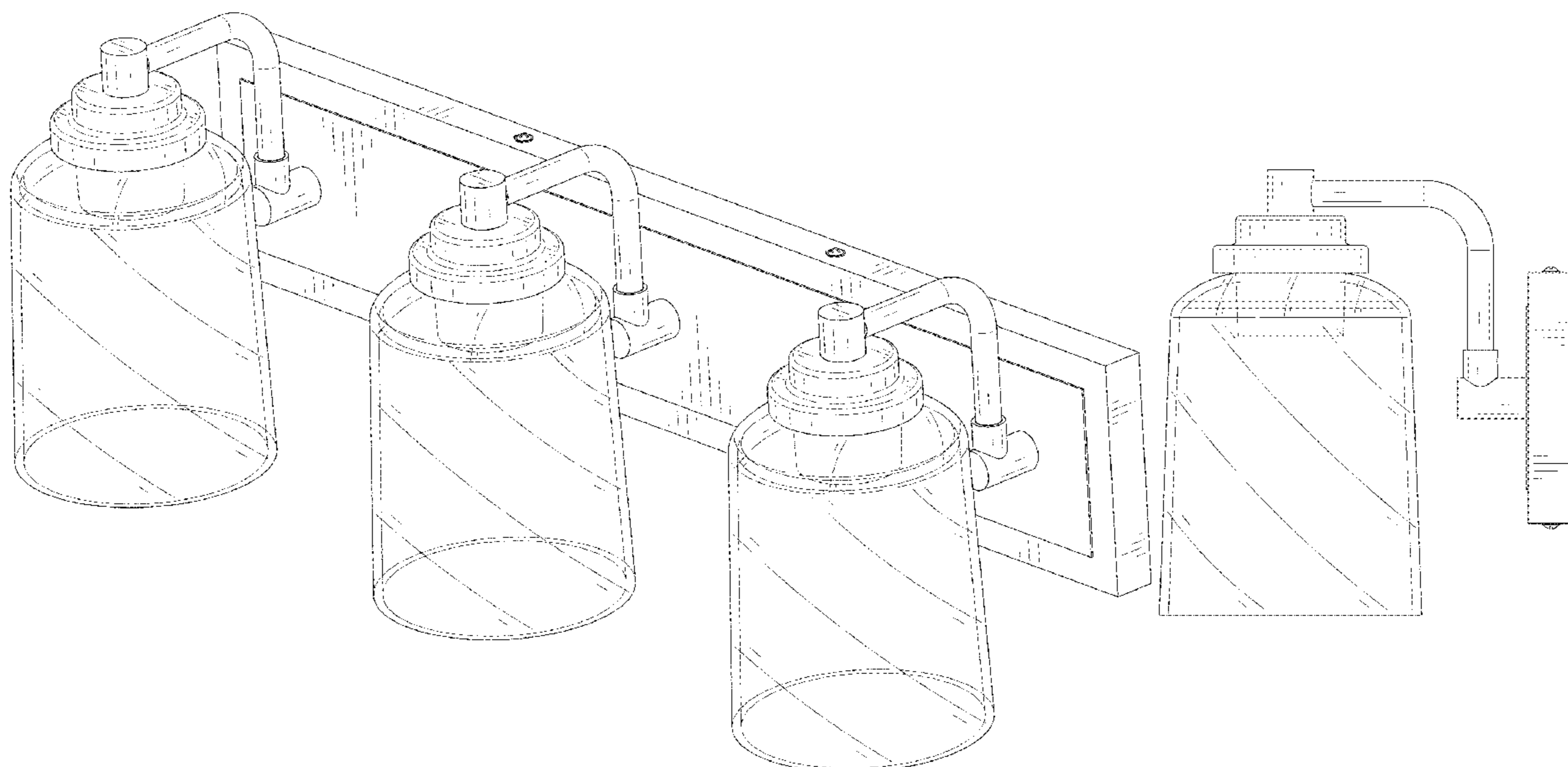
FIG. 22 is a right side elevational view thereof;

FIG. 23 is a top plan view thereof; and,

FIG. 24 is a bottom plan view thereof.

The broken lines in the drawings depict portions of the lamp that form no part of the claimed design.

1 Claim, 24 Drawing Sheets



(56)

References Cited

U.S. PATENT DOCUMENTS

D939,128 S * 12/2021 Mei D26/86

OTHER PUBLICATIONS

Progress Lighting Calhoun Collection Vanity Light Fixture Model No. P300047-009, ASIN: B073V6NWX. Available from amazon.com Jul. 10, 2017. (Year: 2017).*

Melucee Bathroom Light Fixture, ASIN: B09NS7ZCDL. Available from amazon.com Mar. 31, 2022. (Year: 2022).*

* cited by examiner

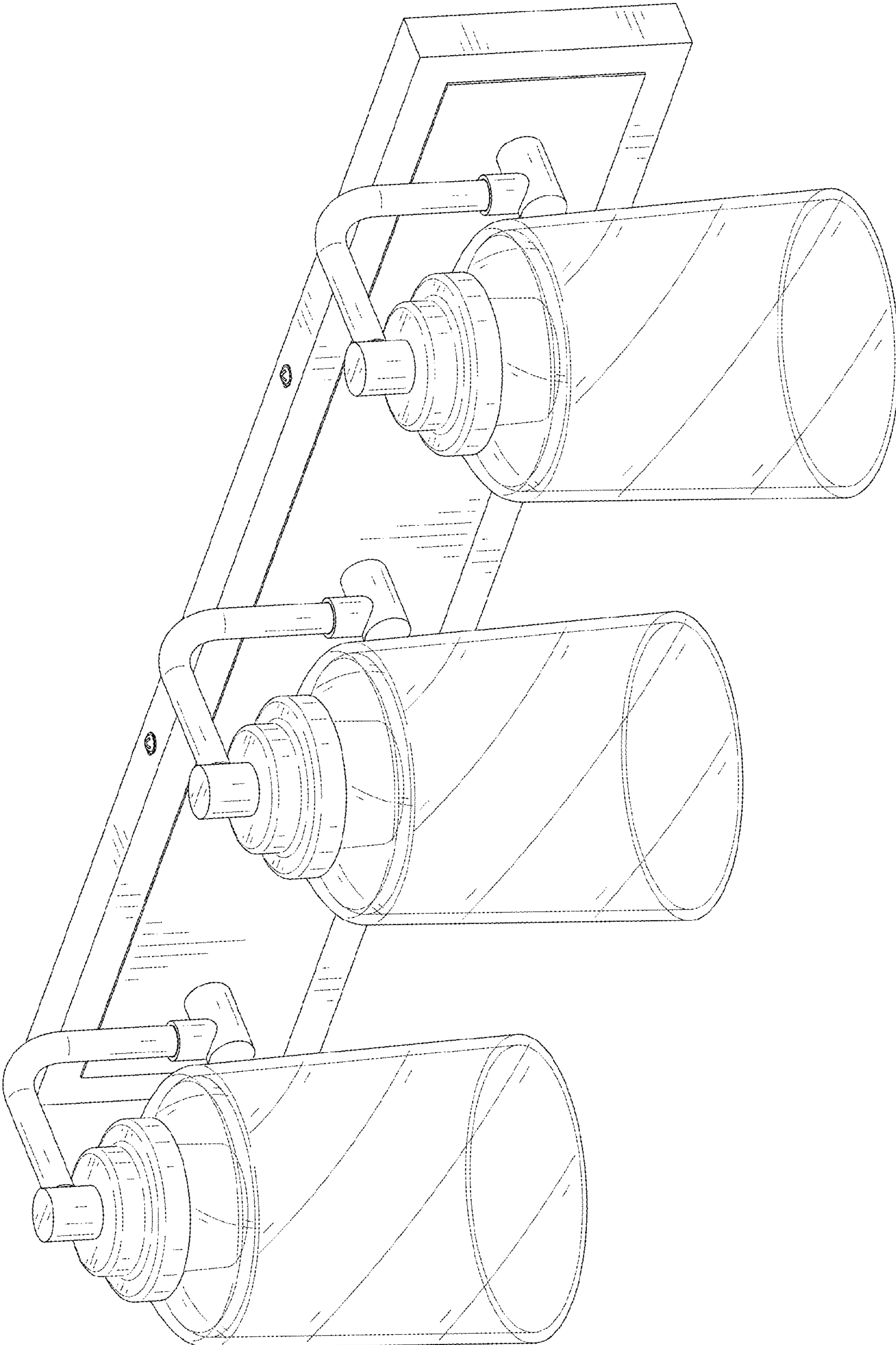


FIG. 1

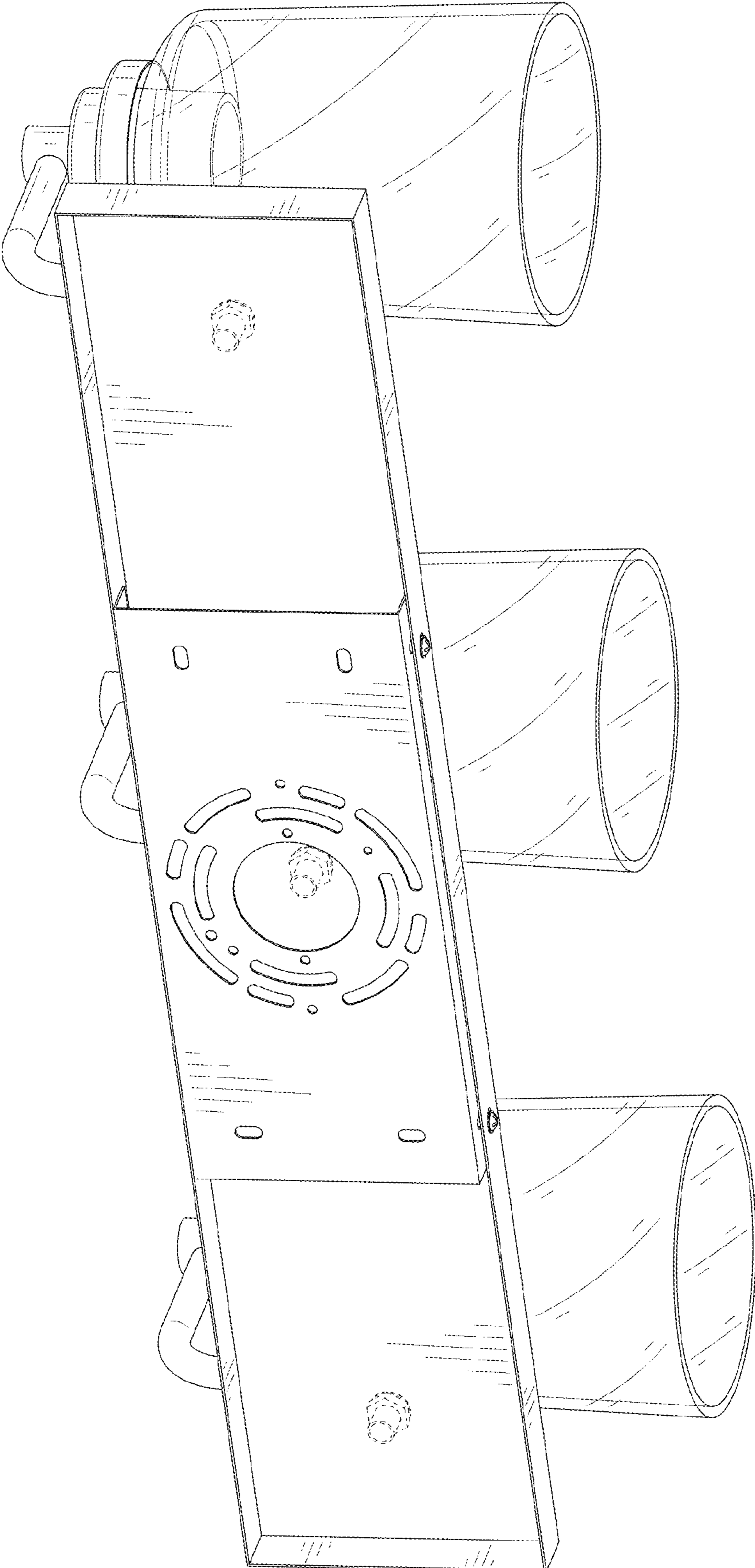


FIG. 2

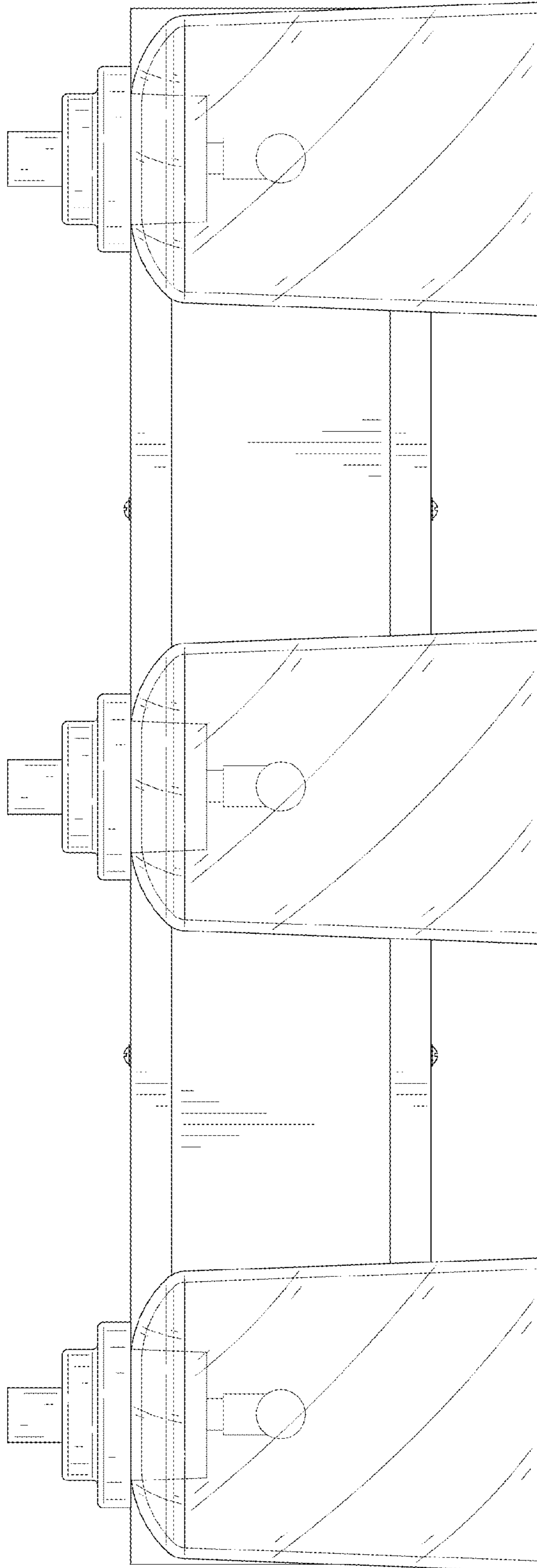


FIG. 3

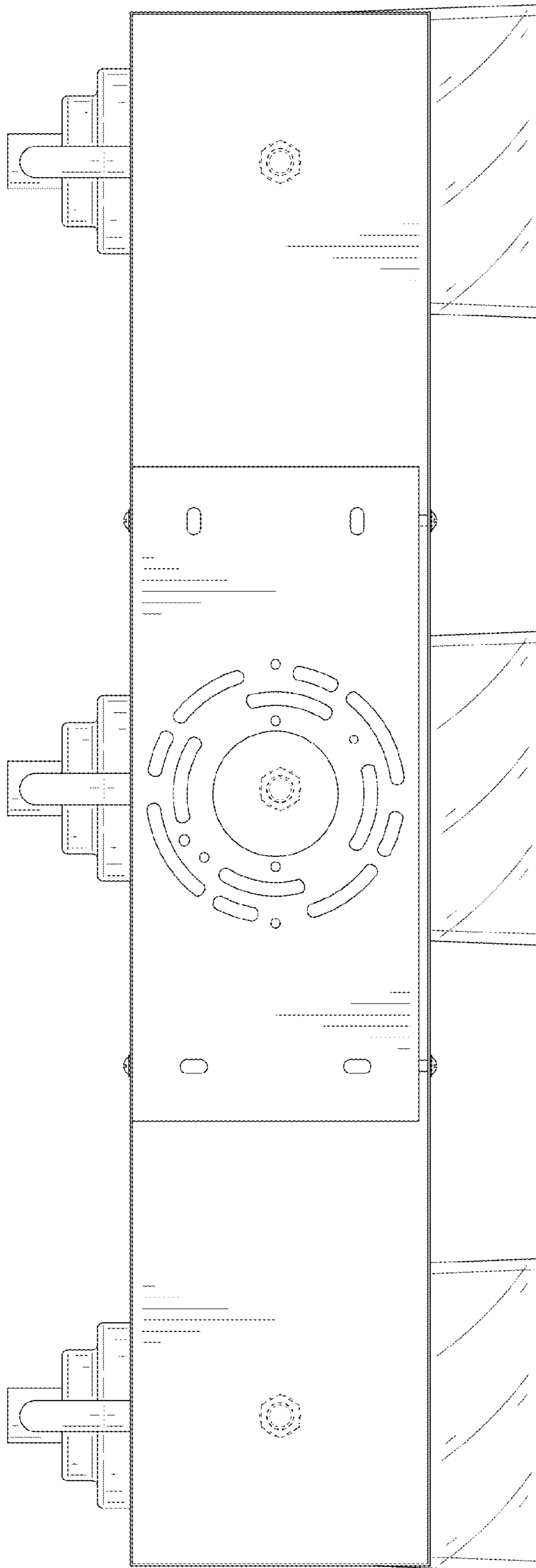


FIG. 4

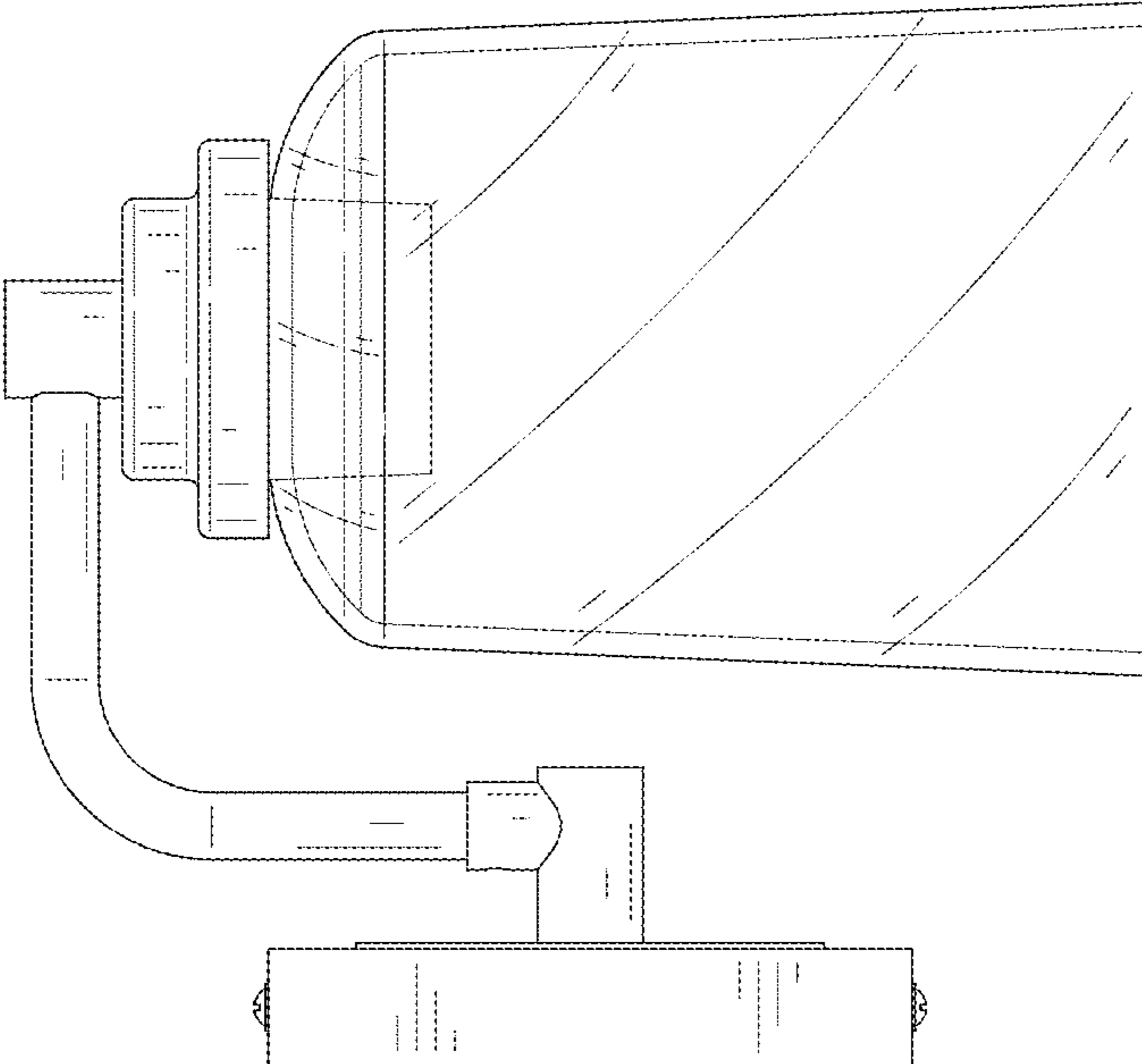


FIG. 5

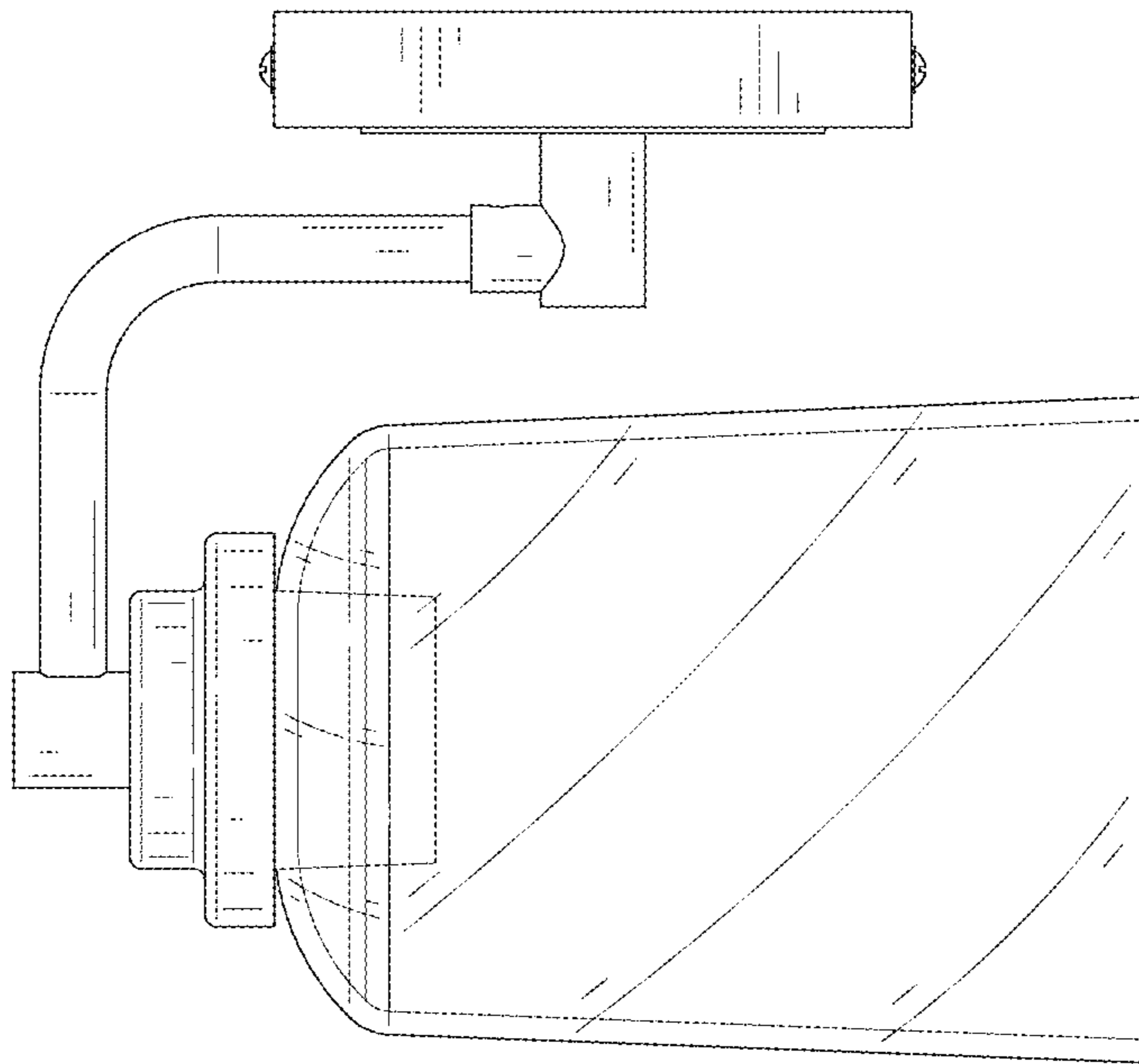


FIG. 6

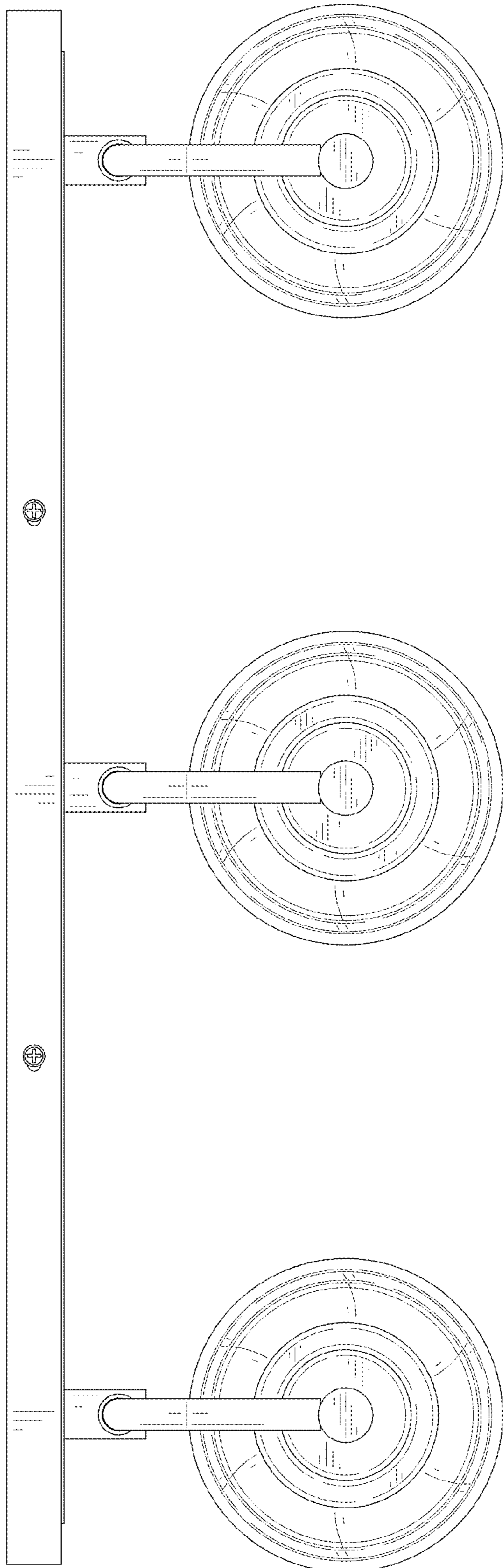


FIG. 7

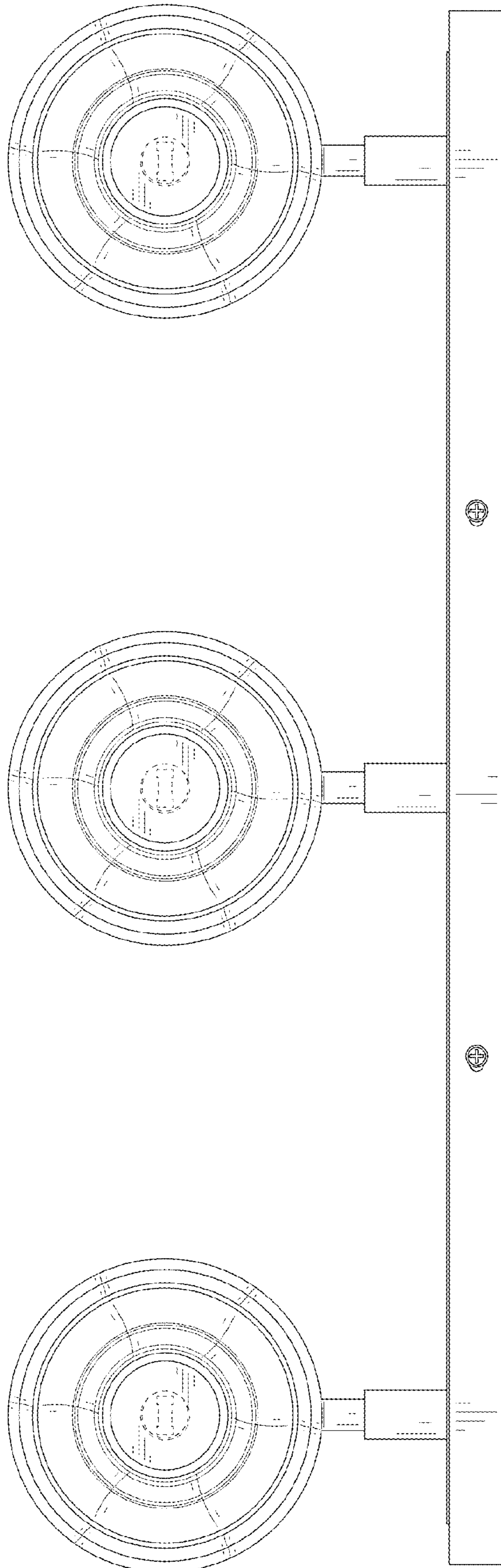


FIG. 8

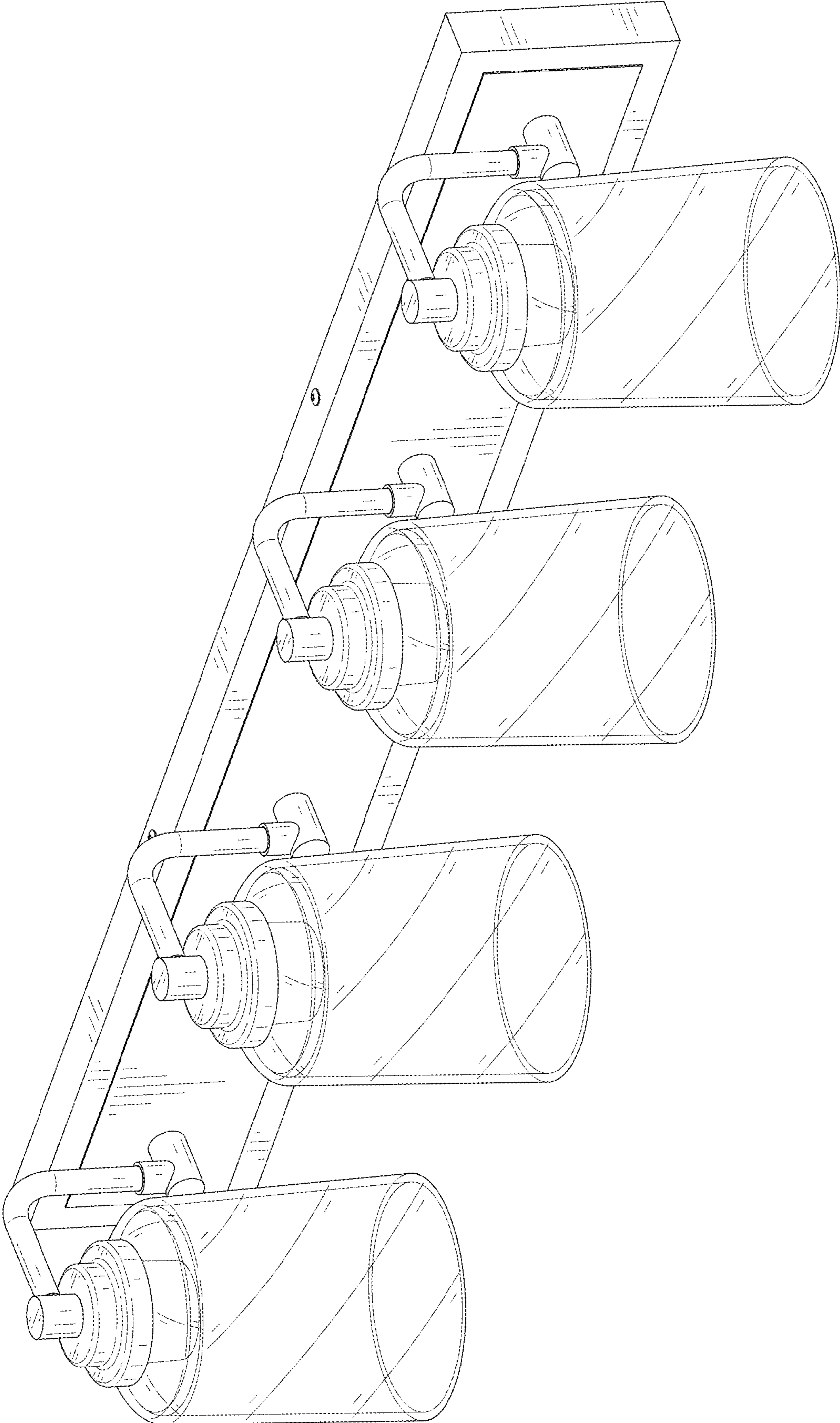


FIG. 9

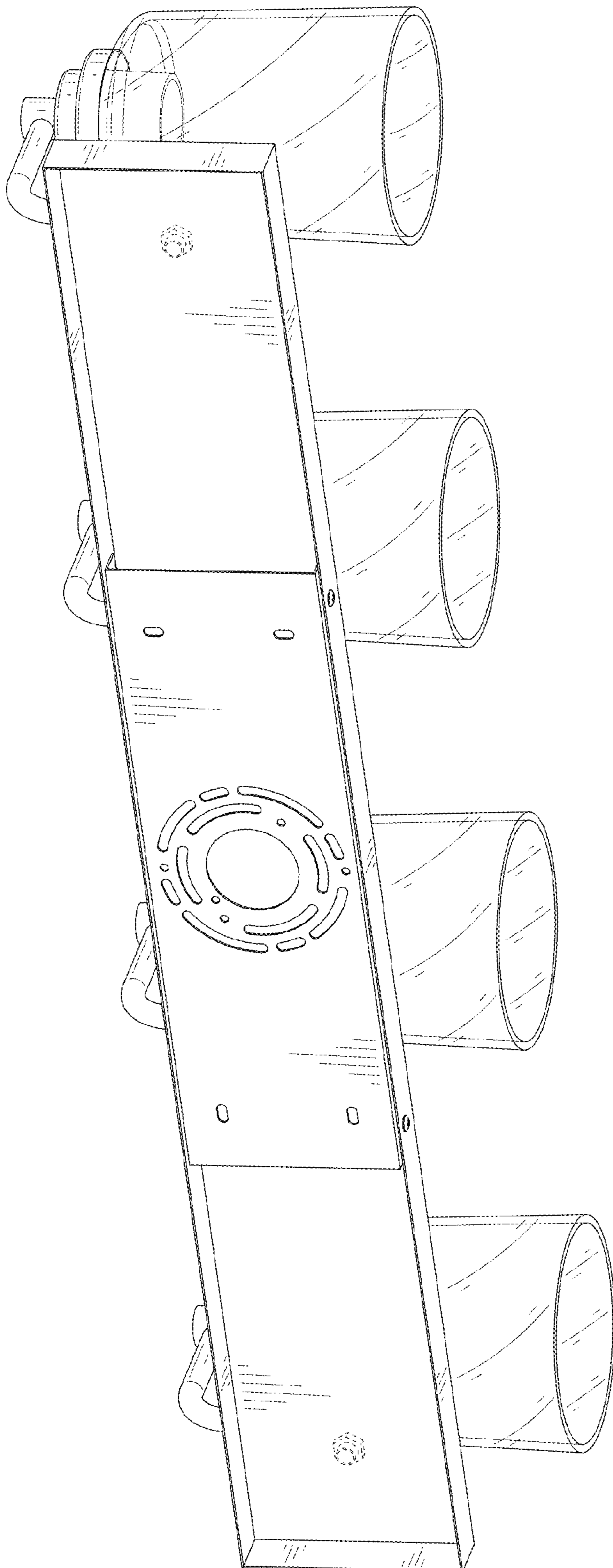


FIG. 10

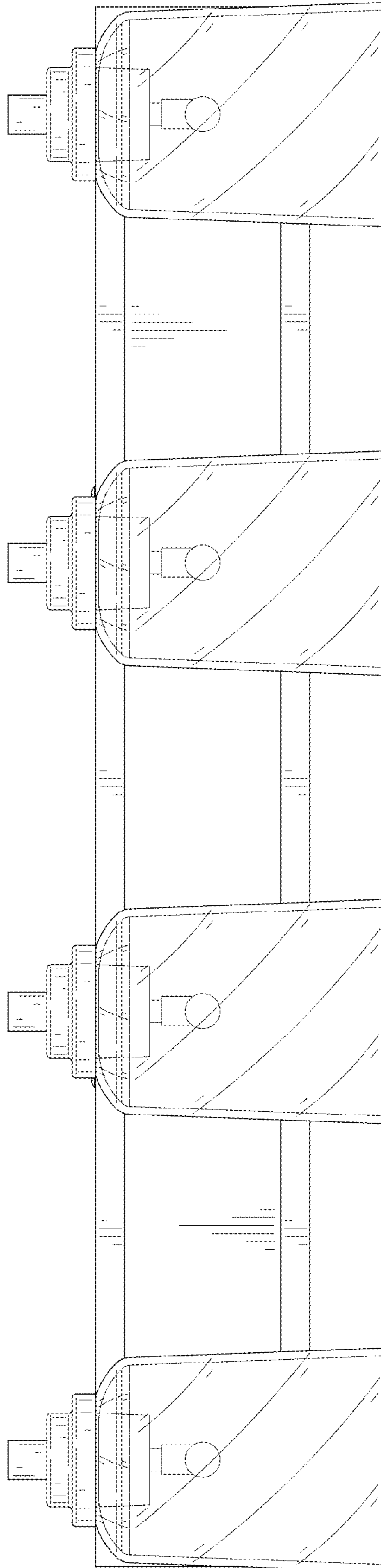


FIG. 11

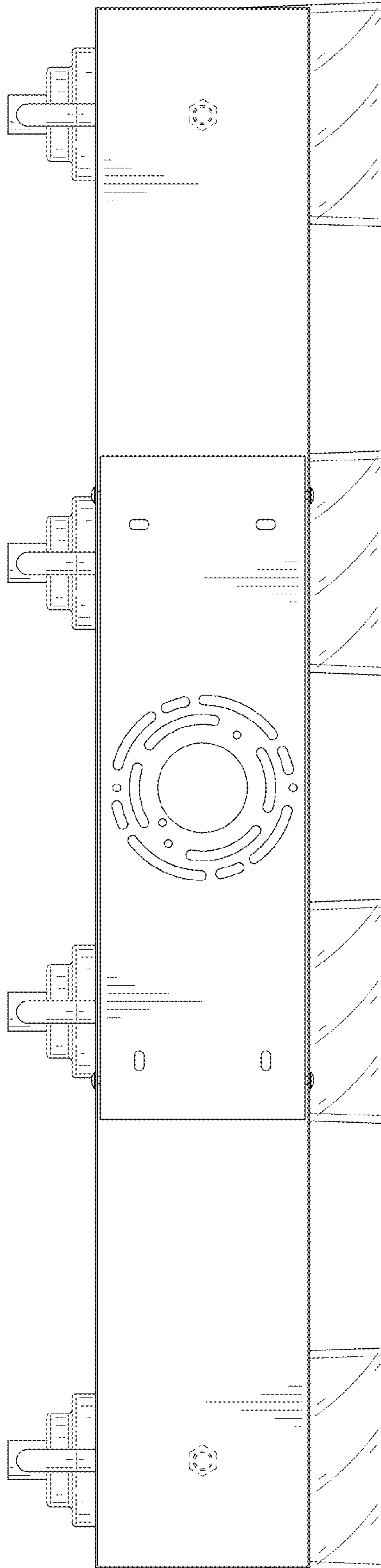


FIG. 12

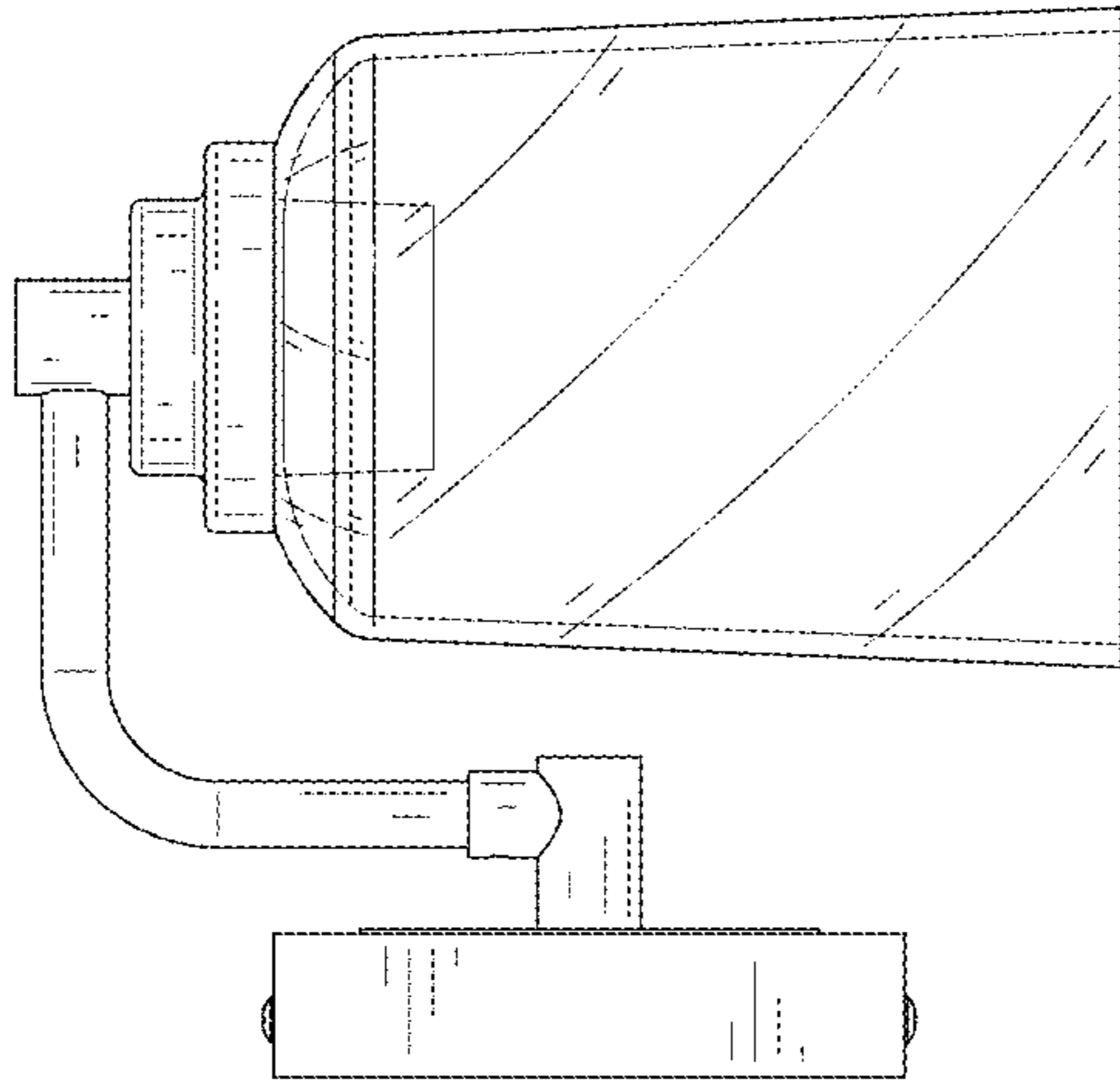


FIG. 13

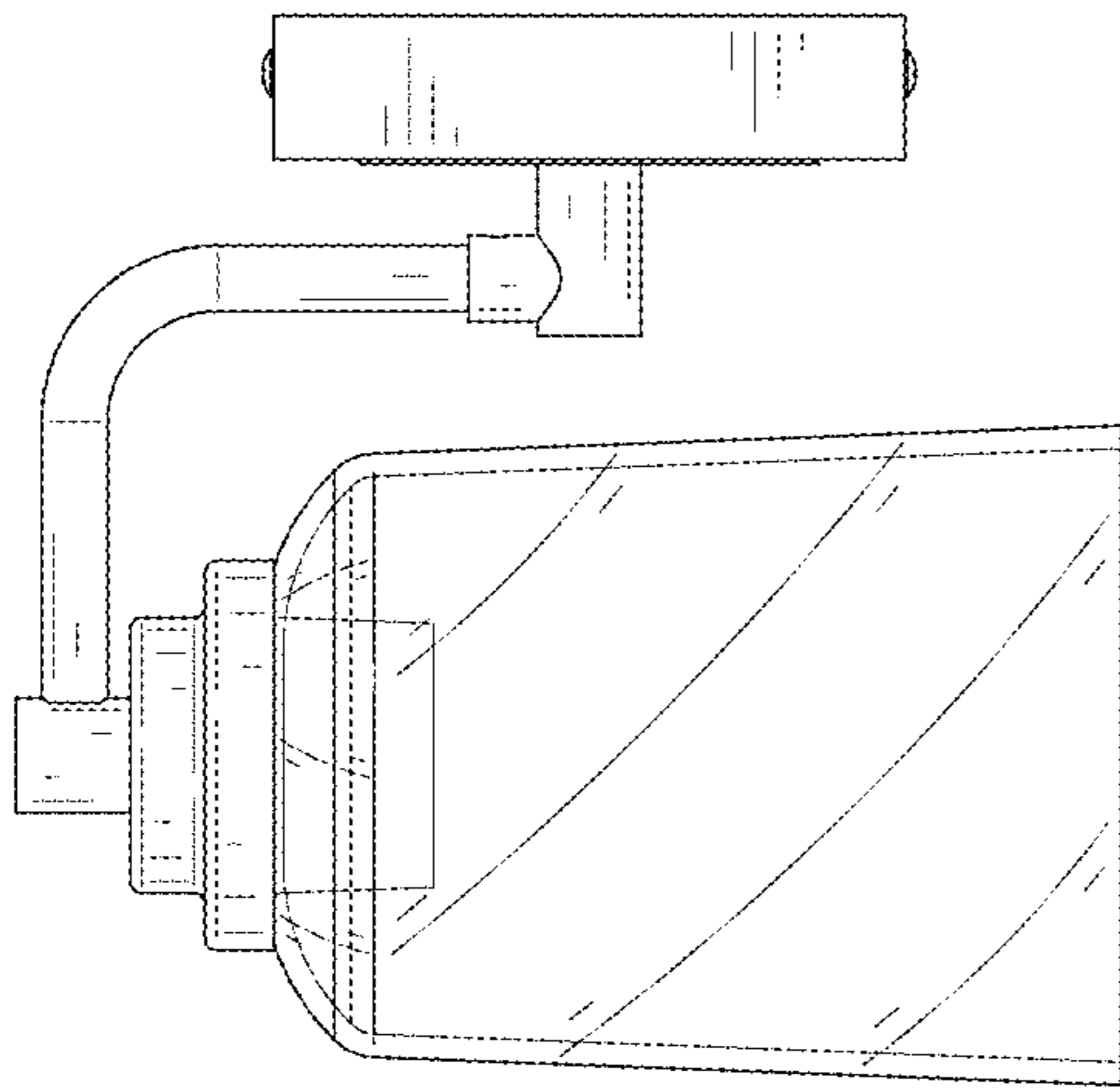


FIG. 14

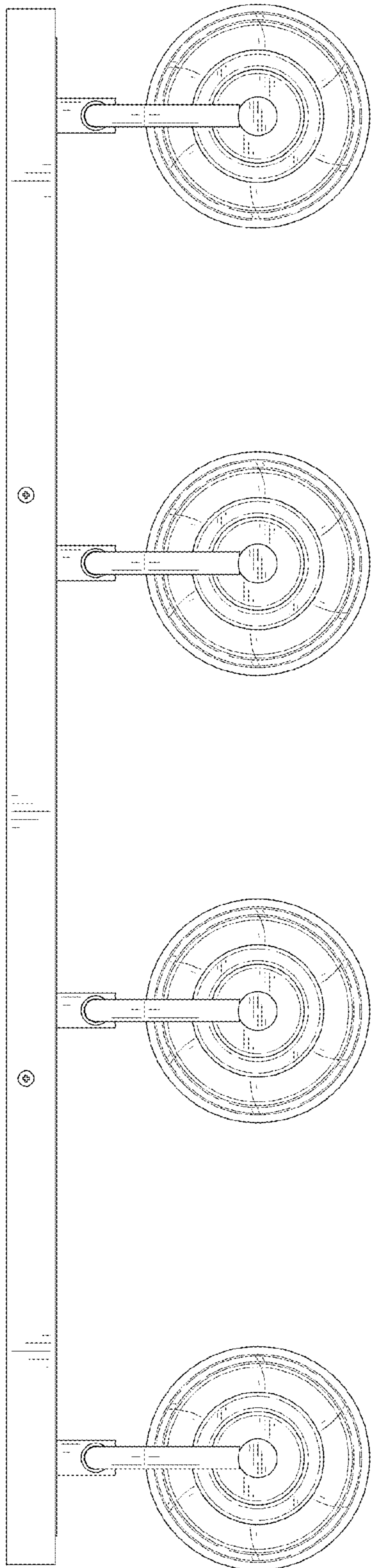


FIG. 15

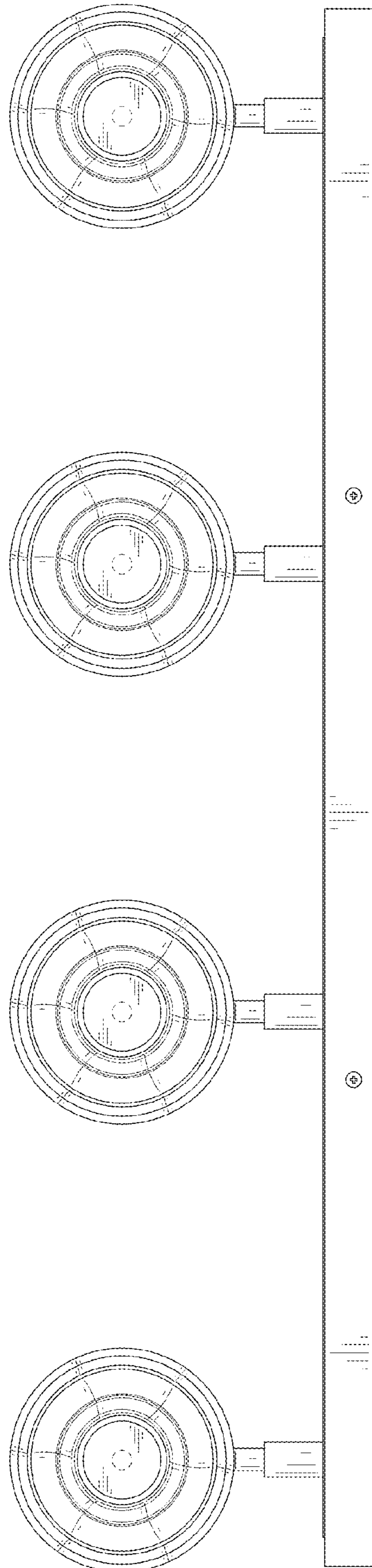


FIG. 16

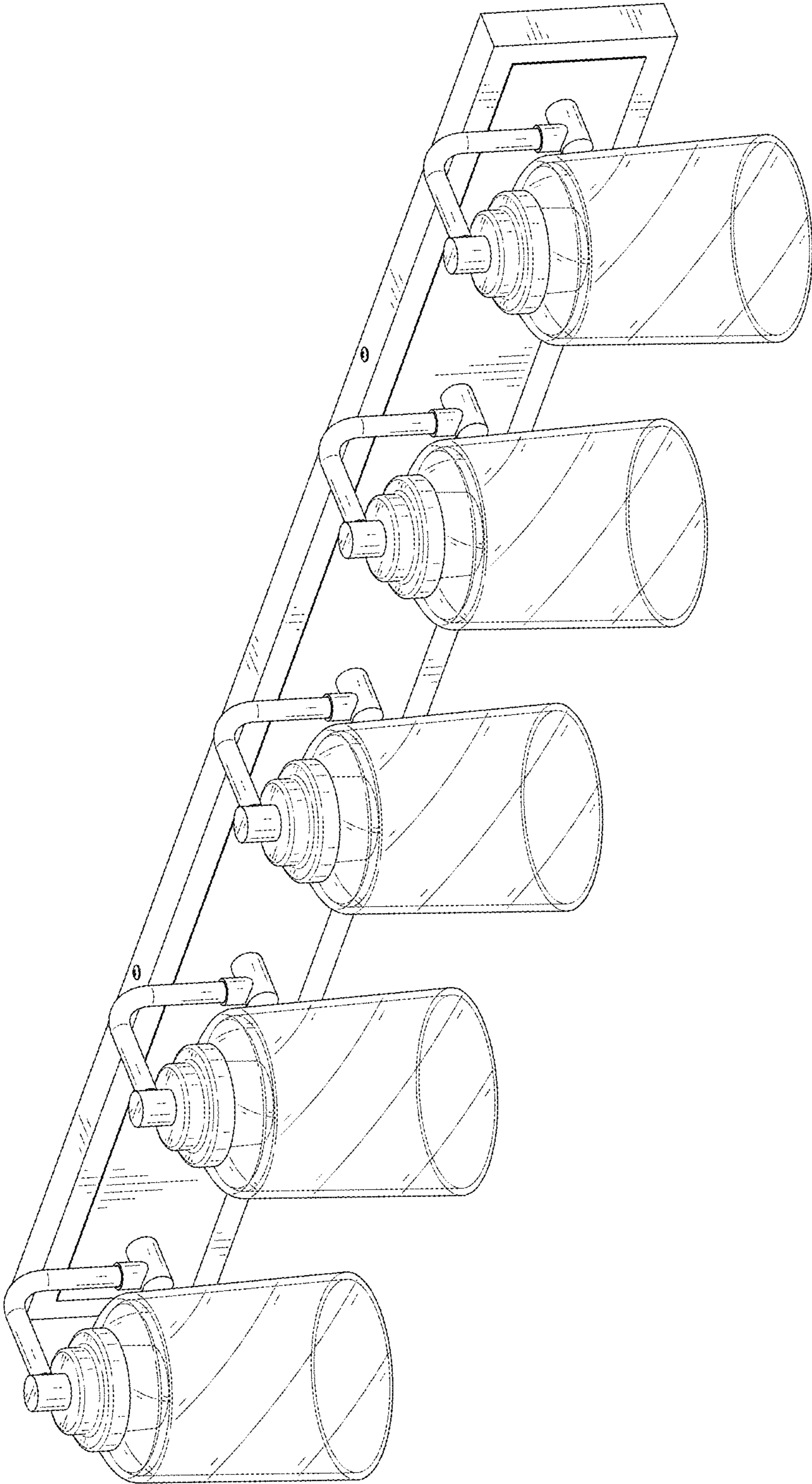


FIG. 17

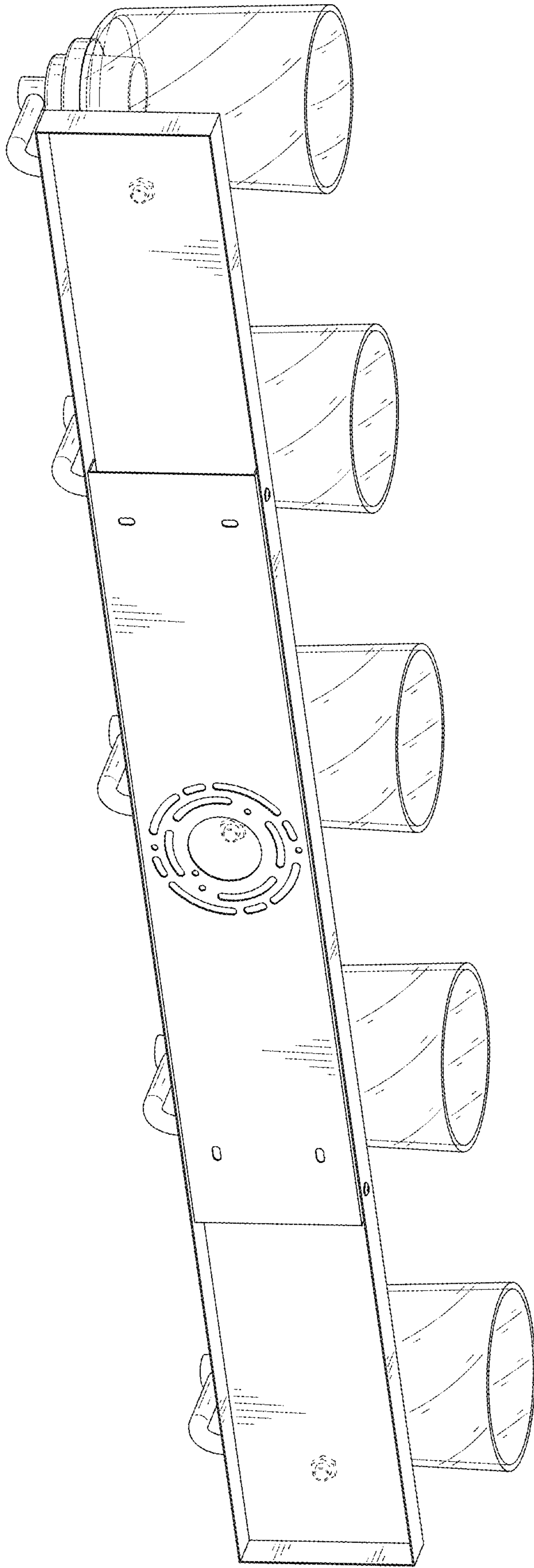


FIG. 18

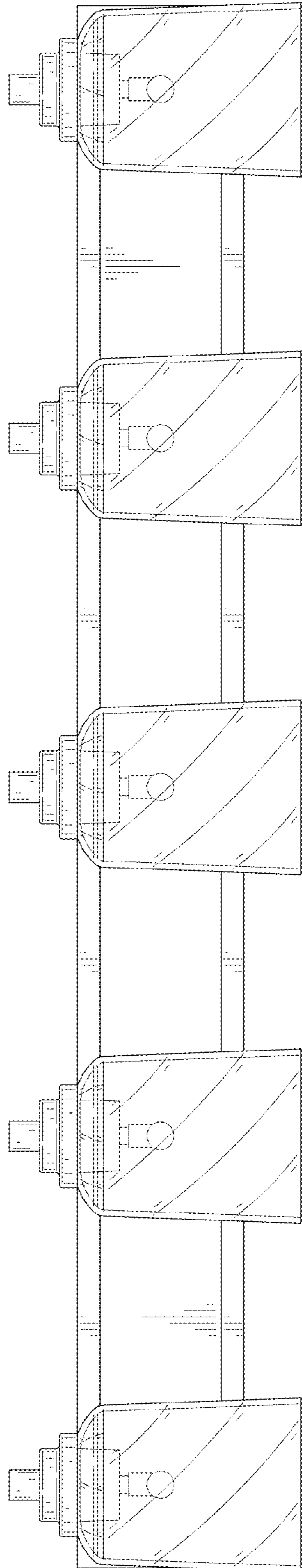


FIG. 19

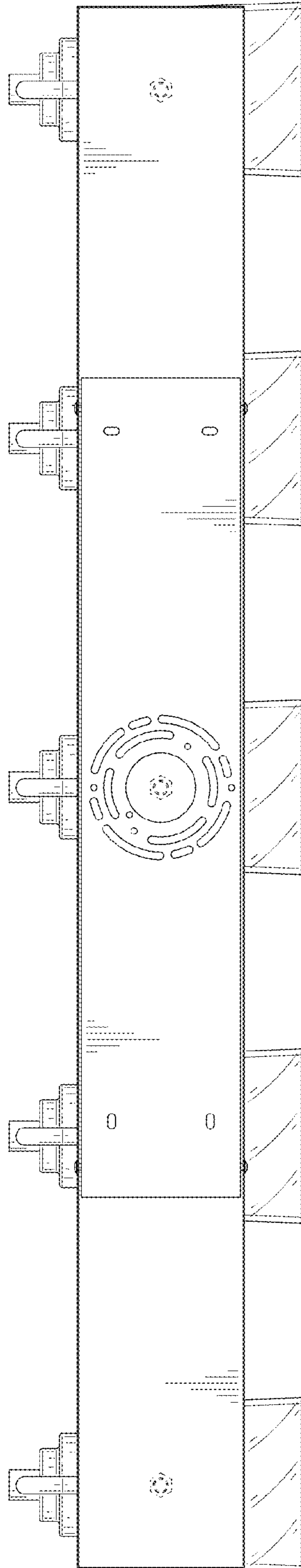


FIG. 20

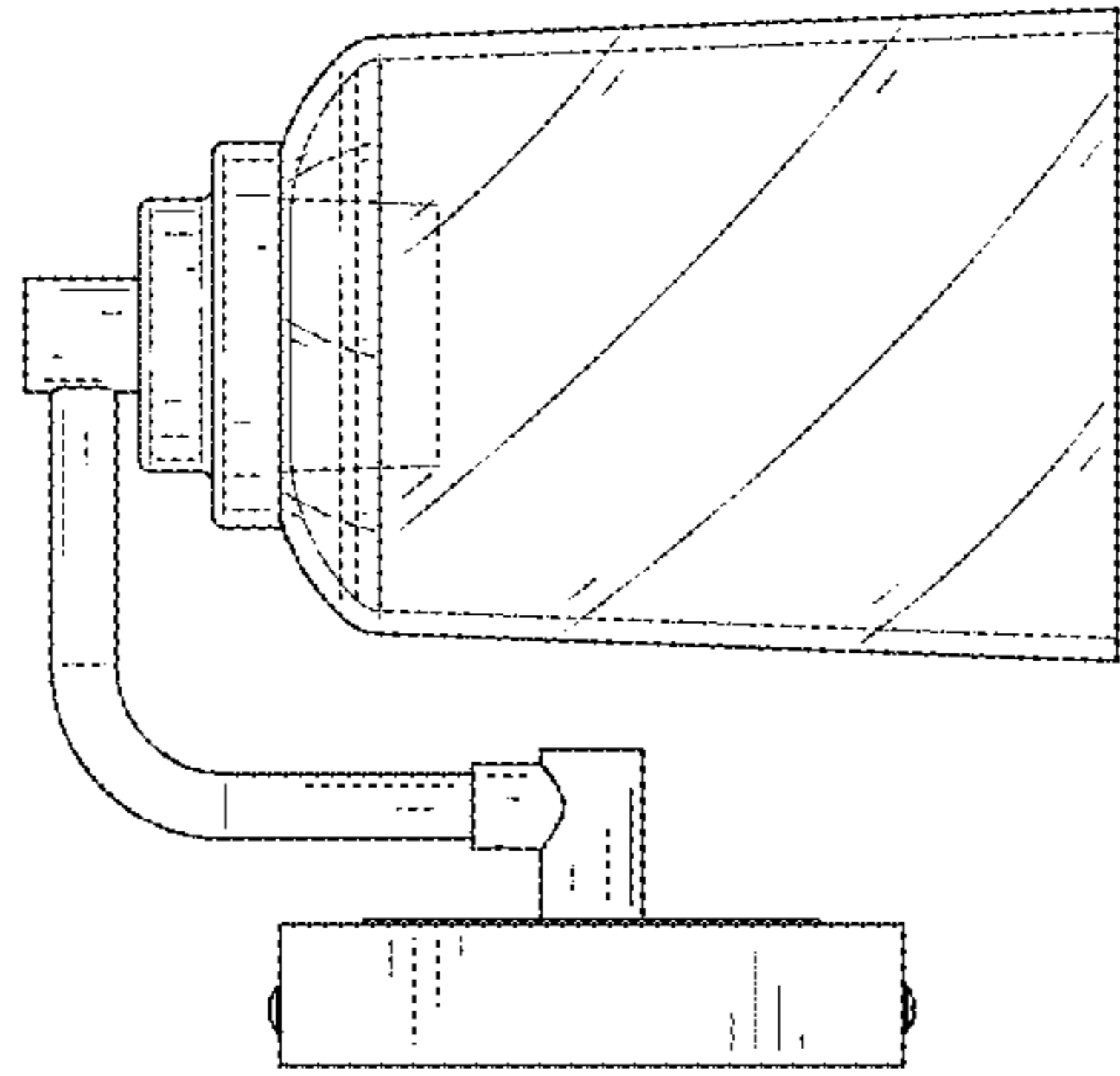


FIG. 21

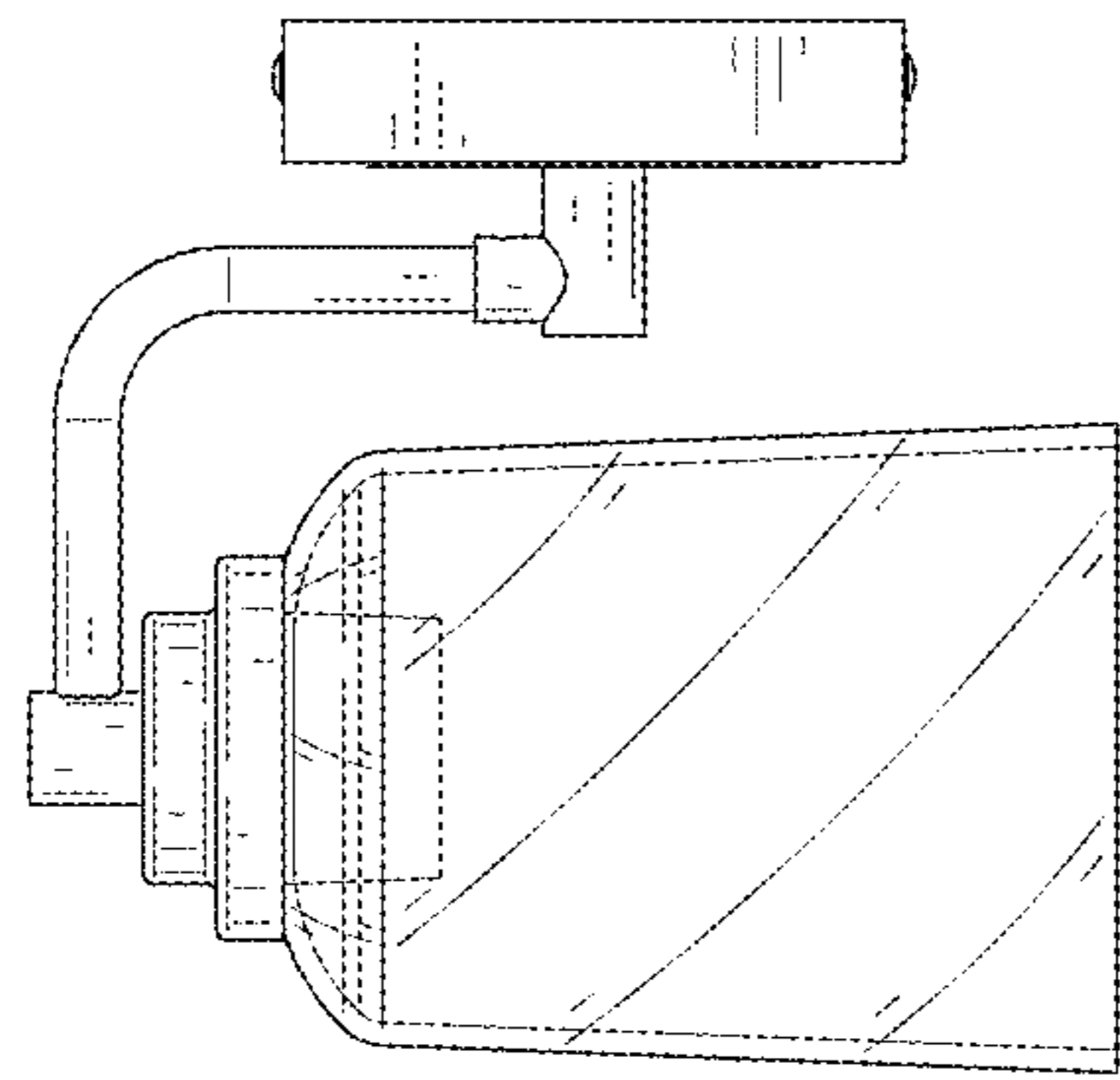


FIG. 22

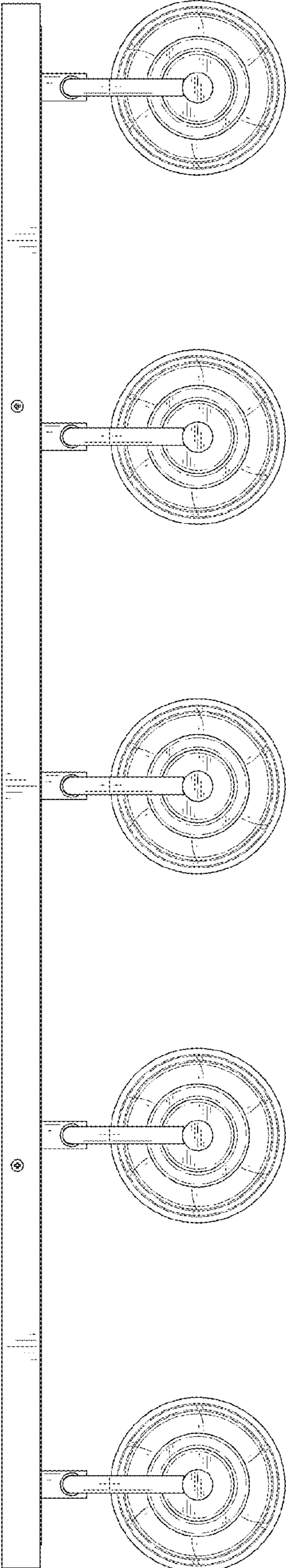


FIG.23

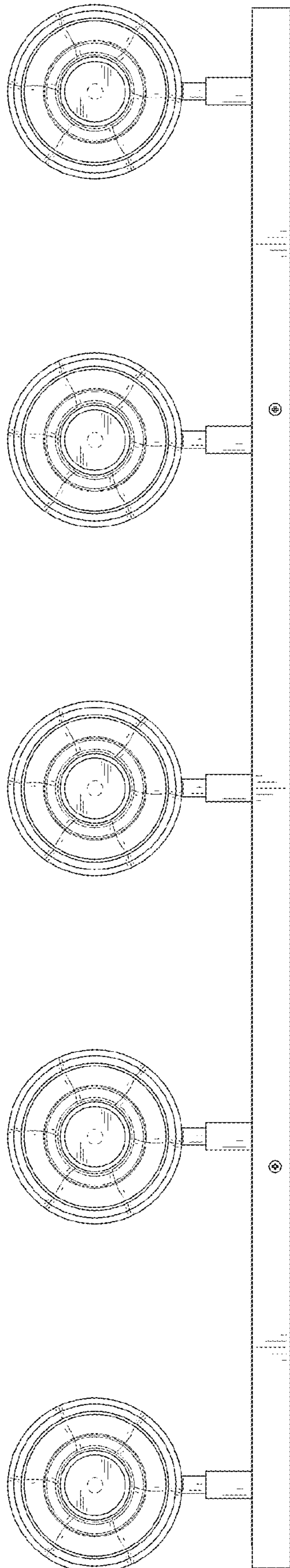


FIG. 24