

US00D962522S

(12) **United States Design Patent** (10) **Patent No.:** **US D962,522 S**
Jiang (45) **Date of Patent:** **** Aug. 30, 2022**

(54) **LAMP**
(71) Applicant: **Shunqian Jiang**, Guangdong (CN)
(72) Inventor: **Shunqian Jiang**, Guangdong (CN)
(**) Term: **15 Years**
(21) Appl. No.: **29/740,876**

D880,045 S * 3/2020 Clarkson D26/106
D903,185 S * 11/2020 Li D26/106
D908,270 S * 1/2021 Moses D26/113
D910,226 S * 2/2021 Zheng D26/107
D916,505 S * 4/2021 Zhong D6/546
D924,454 S * 7/2021 Xiong D26/51
D934,486 S * 10/2021 Ou D26/80
D937,466 S * 11/2021 Lin D26/83
2001/0040202 A1 * 11/2001 Adams, IV F16B 47/00
248/206.2

(22) Filed: **Jul. 8, 2020**
(51) **LOC (13) Cl.** **26-05**
(52) **U.S. Cl.**
USPC **D26/85**; D26/79
(58) **Field of Classification Search**
USPC D26/79, 80, 85-89, 92, 106, 128, 138,
D26/141; D6/546
CPC F21S 8/00; F21S 8/03; F21S 8/06; F21S
8/033; F21S 8/036; F21S 8/061
See application file for complete search history.

OTHER PUBLICATIONS

Luminturs, LED Wall Sconce. First available unknown. Searched on Apr. 26, 2022. [https://www.luminturs.com/Indoor-LED-Wall-Sconce-Light-Fixture-Bedside-Decor-Lamp-RoundSquare-Bedroom-Style-D18017-p3475808.html] (Year: 2022).*

(Continued)

Primary Examiner — Samantha Q Lawrence
Assistant Examiner — Melissa Adriane Santos

(56) **References Cited**

U.S. PATENT DOCUMENTS

2,480,393 A * 8/1949 Bossert H04M 1/22
362/558
D441,239 S * 5/2001 Moore D6/546
D487,528 S * 3/2004 Christensen D26/85
D523,273 S * 6/2006 Ferrer Beltran D6/546
D617,035 S * 6/2010 Sabernig D26/89
D644,372 S * 8/2011 Verelst D26/63
D666,764 S * 9/2012 Gilad D26/87
D692,898 S * 11/2013 Luijben D14/447
D711,033 S * 8/2014 Choi D26/71
D793,000 S * 7/2017 Sonneman D26/113
D801,576 S * 10/2017 Sonneman D26/138
D826,705 S * 8/2018 Zhou D8/401
D827,180 S * 8/2018 Mou D26/85
D862,770 S * 10/2019 Coombes D26/85
D873,328 S * 1/2020 Shen D26/113
D879,358 S * 3/2020 Du D26/106

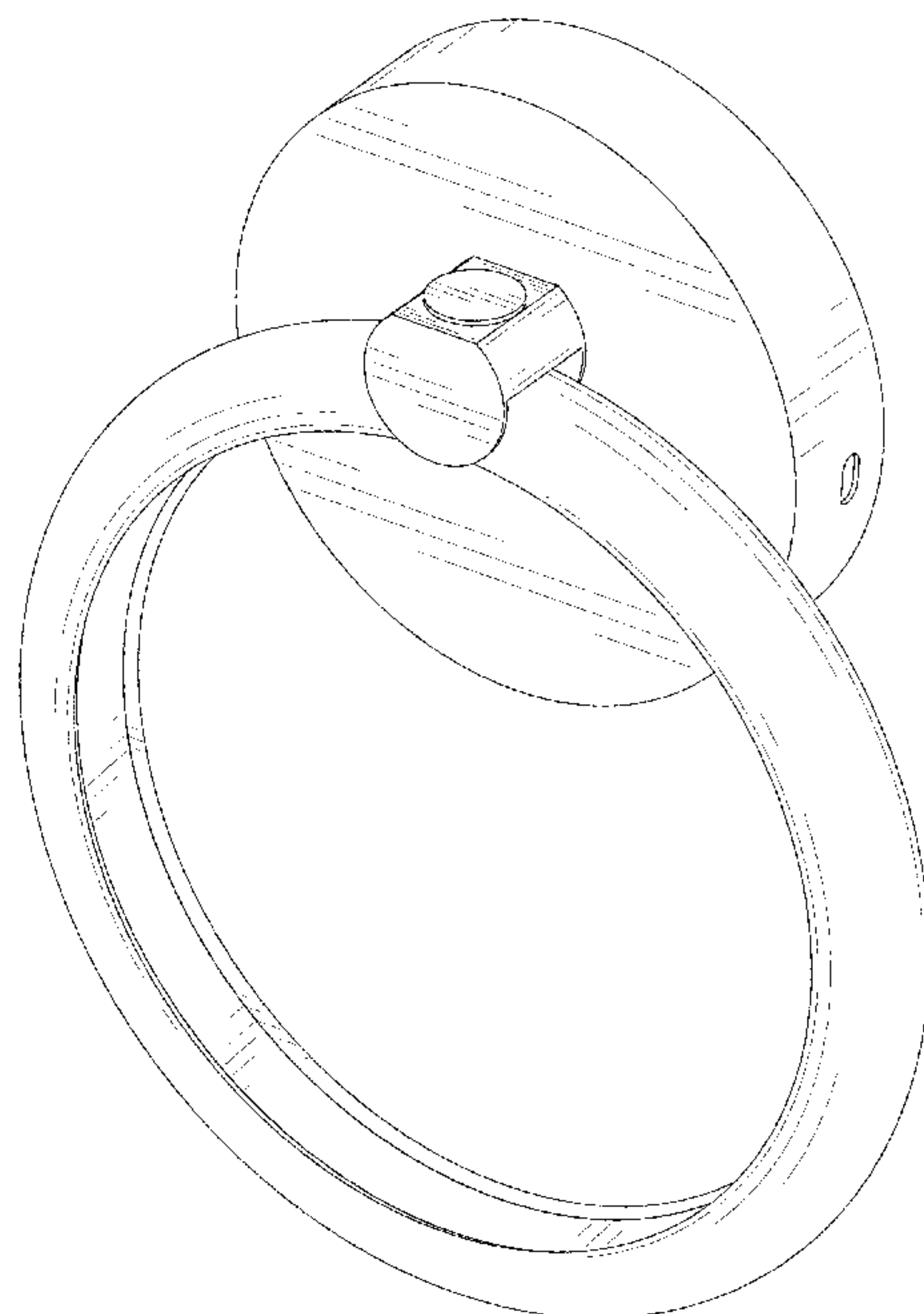
(57) **CLAIM**

The ornamental design for a lamp, as shown and described.

DESCRIPTION

FIG. 1 is a front and top perspective view of a lamp, showing my new design;
FIG. 2 is a rear and bottom perspective view thereof;
FIG. 3 is a front elevational view thereof;
FIG. 4 is a rear elevational view thereof;
FIG. 5 is a left side elevational view thereof;
FIG. 6 is a right side elevational view thereof;
FIG. 7 is a top plan view thereof; and,
FIG. 8 is a bottom plan view thereof.
The broken lines in the figures illustrate portions of the article that form no part of the claimed design.

1 Claim, 8 Drawing Sheets



(56)

References Cited

OTHER PUBLICATIONS

Foeses, Indoor Wall Light. First available unknown. Searched on Apr. 26, 2022. [<https://www.walmart.com/ip/Indoor-Wall-Light-LED-13W-Round-Wall-Lamp-Black-Warm-White-3000K-Modern-for-Bedroom-Living-Room-Staircase-Hallway-AC-220V-Energy-class-A/363717467>] (Year: 2022).*

Interior Deluxe, Glody LED Wall Lamp. First available unknown. Searched on Apr. 26, 2022. [<https://www.interior-deluxe.com/products/glody-led-wall-lamp>] (Year: 2022).*

Sunmpoos, Modern LED Wall Lamp. First available unknown. Searched on Apr. 26, 2022. [<https://www.aliexpress.com/item/32802409496.html>] (Year: 2022).*

Home Lava, Modern LED Wall Light. First available unknown. Searched on Apr. 26, 2022. [<https://www.homelava.com/en-modern-led-wall-light-fixtures-round-ring-wall-sconces-for-bedroom-tricolor-dimming-p44839.htm>] (Year: 2022).*

* cited by examiner

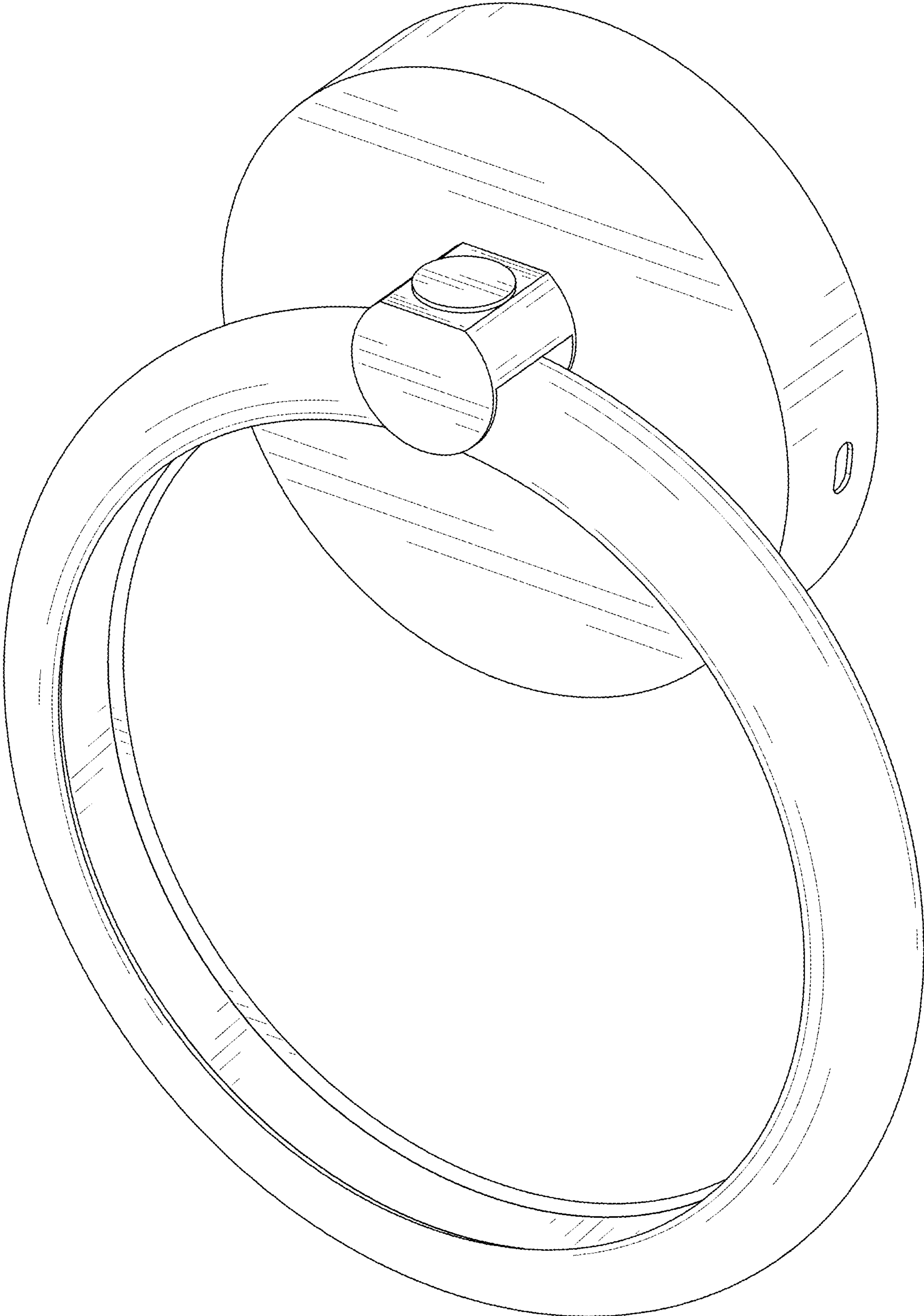


FIG. 1

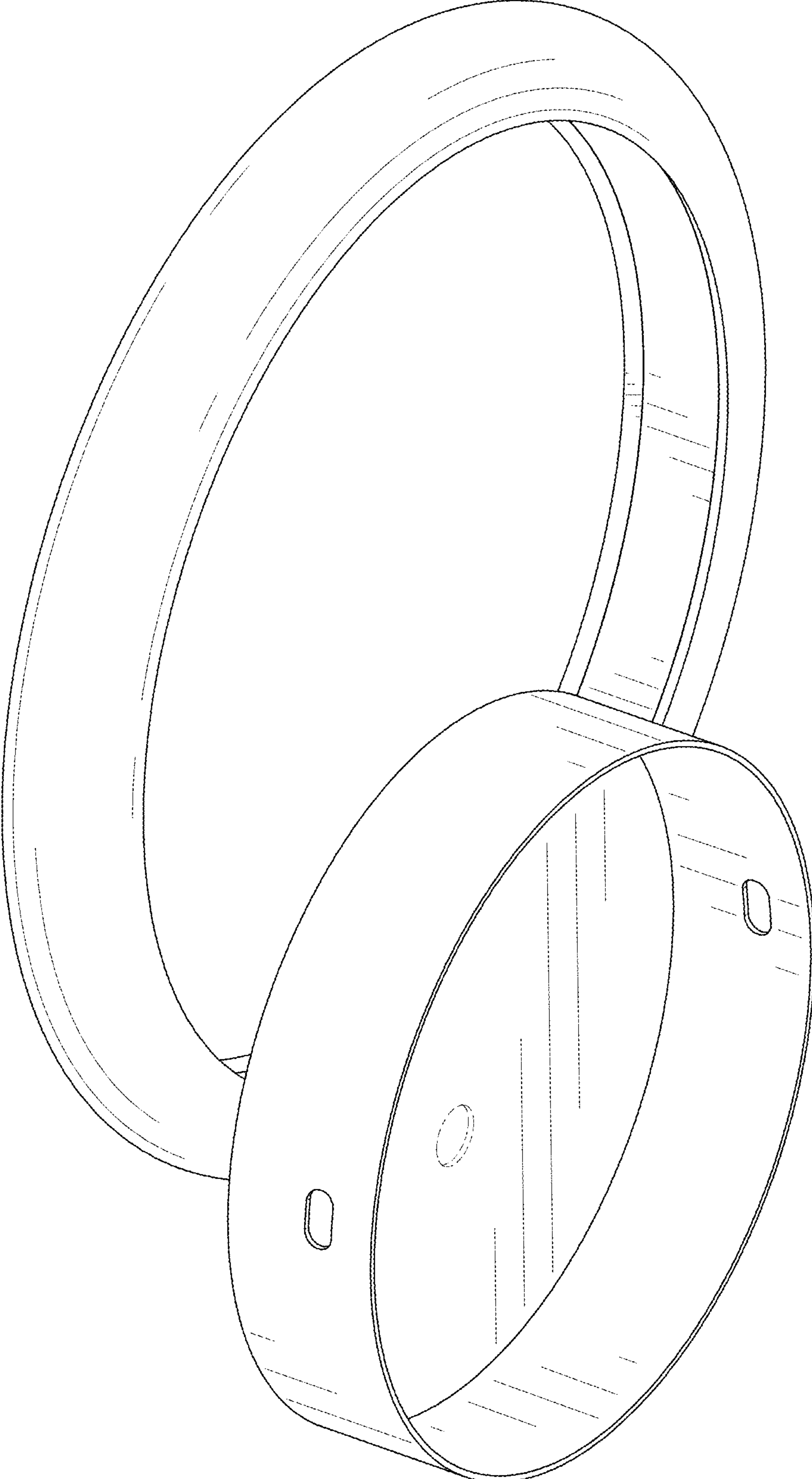


FIG. 2

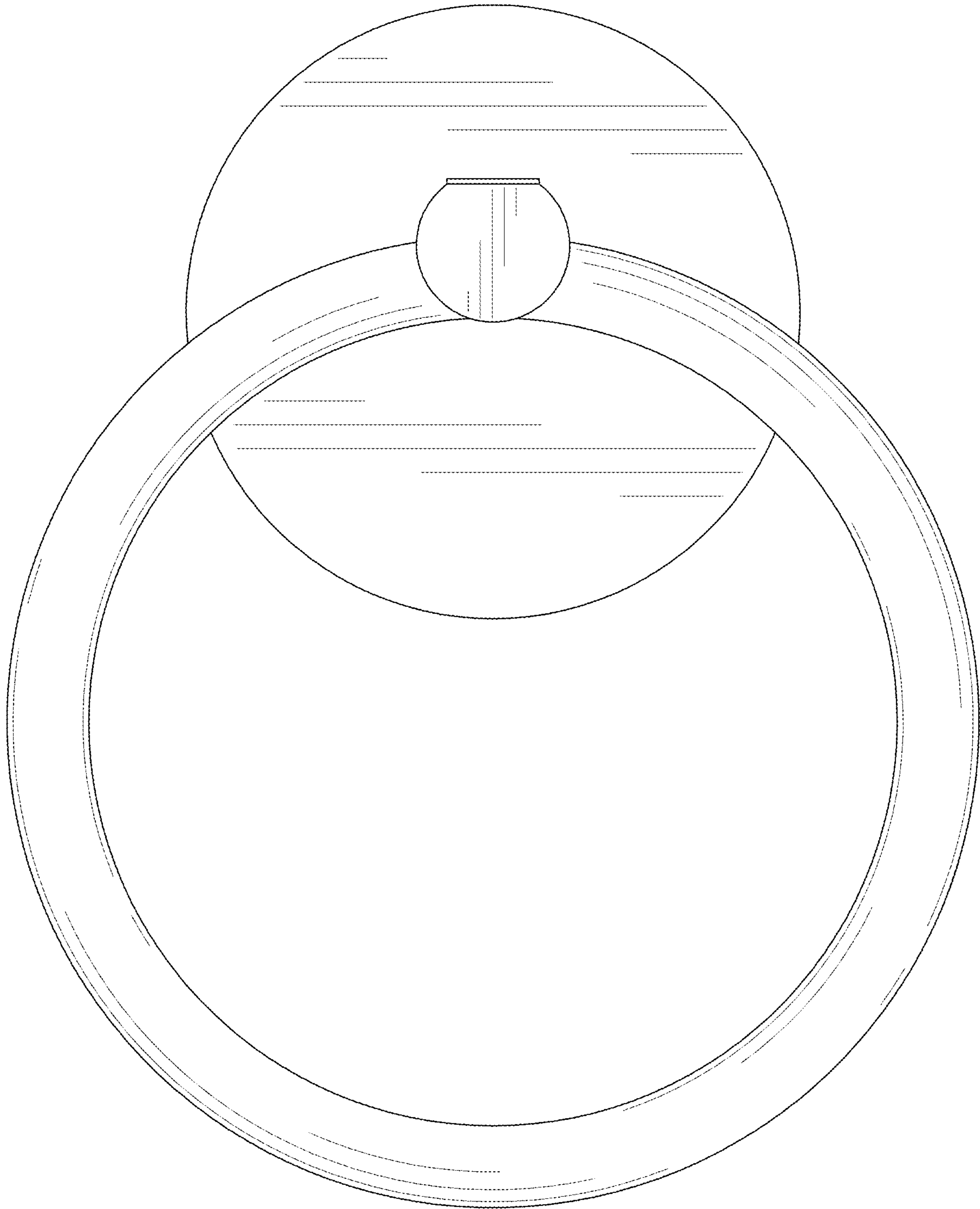


FIG. 3

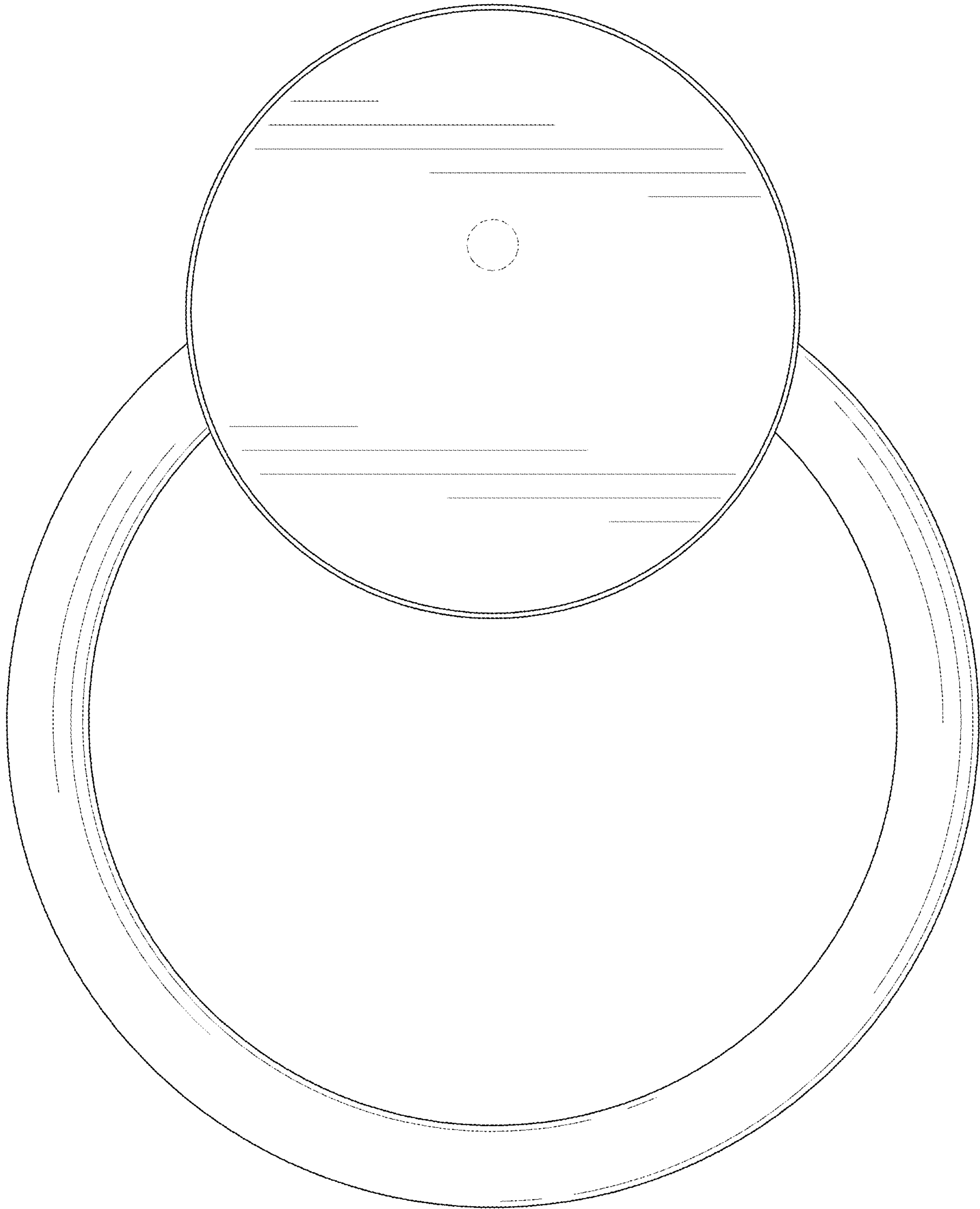


FIG. 4

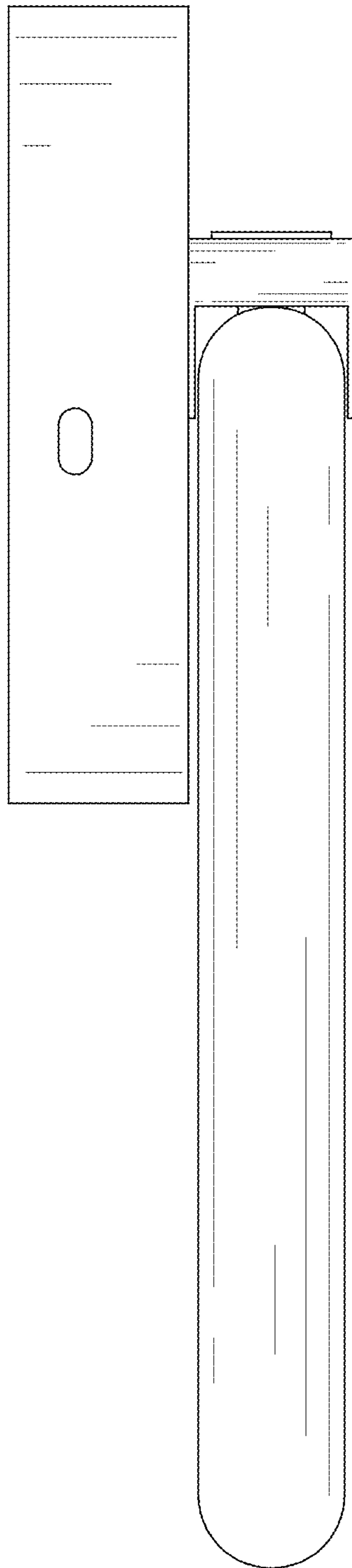


FIG. 5

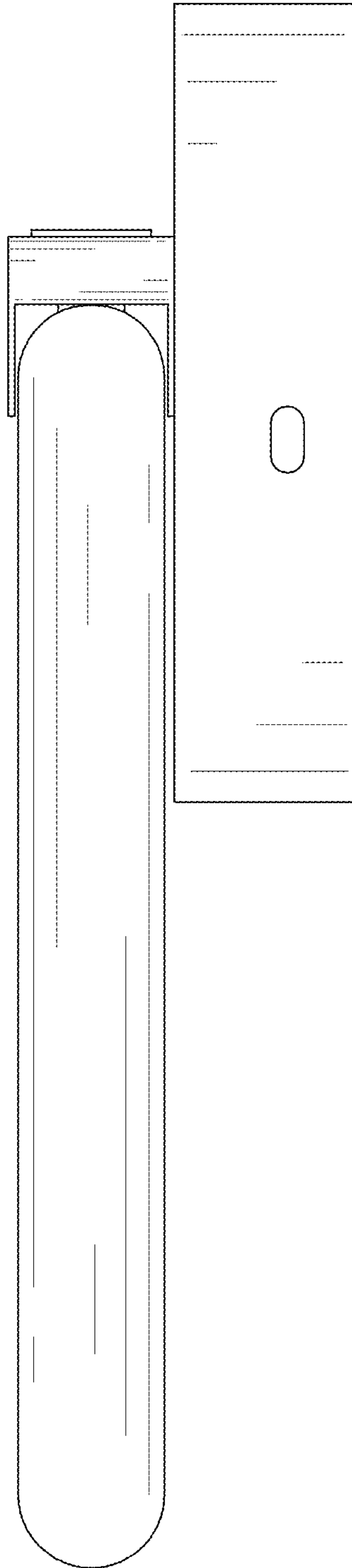


FIG. 6

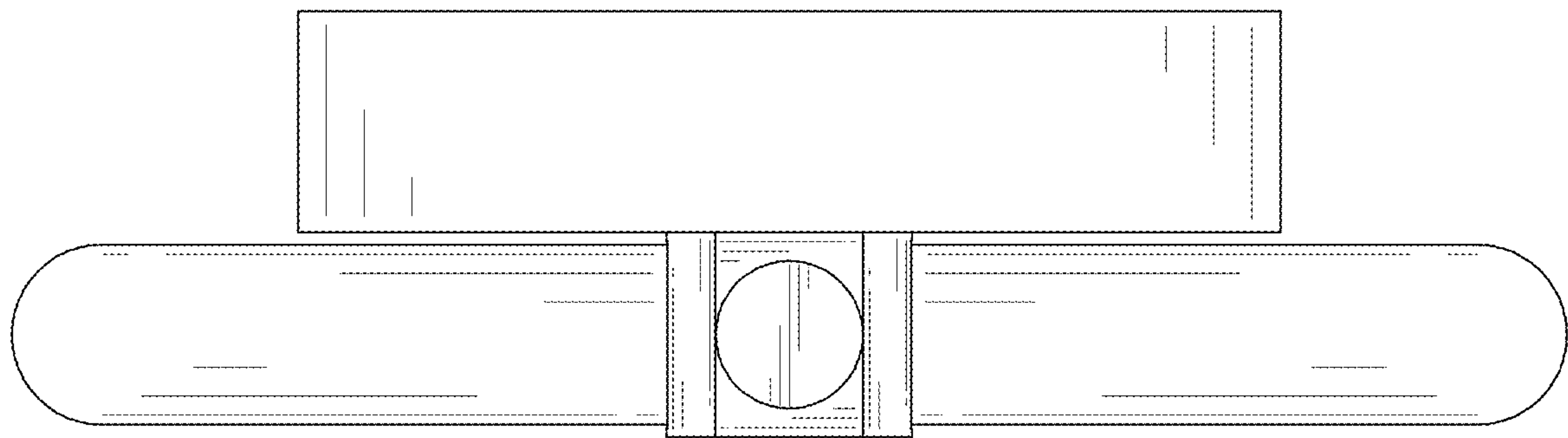


FIG. 7

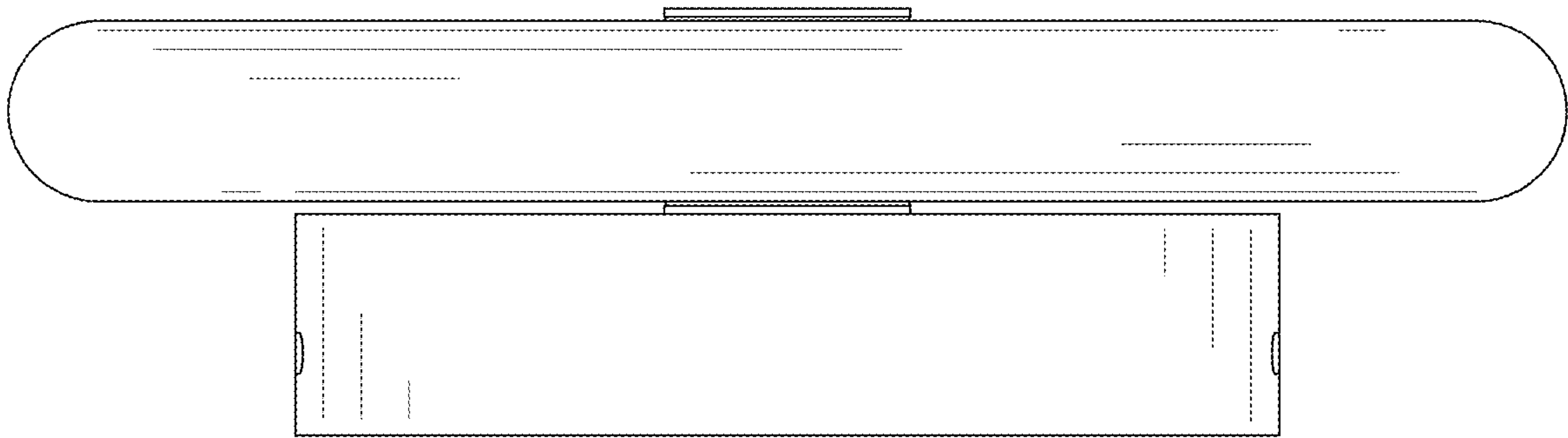


FIG. 8