

US00D962520S

(12) **United States Design Patent**
Diez

(10) **Patent No.:** **US D962,520 S**

(45) **Date of Patent:** **** Aug. 30, 2022**

(54) **LAMP**

(71) Applicant: **VIBIA LIGHTING, S.L.U.**, Gava (ES)

(72) Inventor: **Stefan Diez**, Munich (DE)

(73) Assignee: **VIBIA LIGHTING, S.L.U.**, Gavà (ES)

(**) Term: **15 Years**

(21) Appl. No.: **35/511,432**

(22) Filed: **Nov. 6, 2020**

(80) **Hague Agreement Data**

Int. Filing Date: **Nov. 6, 2020**

Int. Reg. No.: **DM/212673**

Int. Reg. Date: **Nov. 6, 2020**

Int. Reg. Pub. Date: **Feb. 19, 2021**

(30) **Foreign Application Priority Data**

May 8, 2020 (EM) 007875539-0001

(51) **LOC (13) Cl.** **26-05**

(52) **U.S. Cl.**
USPC **D26/72; 26/24**

(58) **Field of Classification Search**

USPC D26/24, 25, 60, 61, 72, 75, 76, 78, 82,
D26/83, 85, 87, 88, 89, 90, 118, 128
CPC F21S 4/00; F21S 4/10; F21S 4/15; F21S
4/20; F21S 4/24; F21S 4/26; F21S 8/02;
F21S 8/04; F21S 8/06; F21S 8/026; F21S
8/033; F21S 8/038; F21S 8/061; F21S
8/063; F21S 8/066

See application file for complete search history.

(56) **References Cited**

U.S. PATENT DOCUMENTS

2,312,454 A * 3/1943 Trautner B60Q 1/2611
362/249.14

3,275,821 A * 9/1966 Lebb F21S 4/10
362/257

D234,218 S * 1/1975 Donato D26/65
5,134,554 A * 7/1992 Donato F21V 29/83
362/651
5,361,192 A * 11/1994 Lai F21S 4/10
362/249.06
5,444,604 A * 8/1995 Hiner B60Q 3/51
362/310
5,542,858 A * 8/1996 Liao F21S 4/10
439/419
5,967,823 A * 10/1999 Tsui H01R 33/9651
439/280
6,425,682 B1 * 7/2002 Klaus F21S 8/068
362/378

(Continued)

FOREIGN PATENT DOCUMENTS

EMRGN_007875539-0013 * 5/2020

Primary Examiner — Richard Kearney

(74) *Attorney, Agent, or Firm* — McCormick, Paulding & Huber PLLC

(57) **CLAIM**

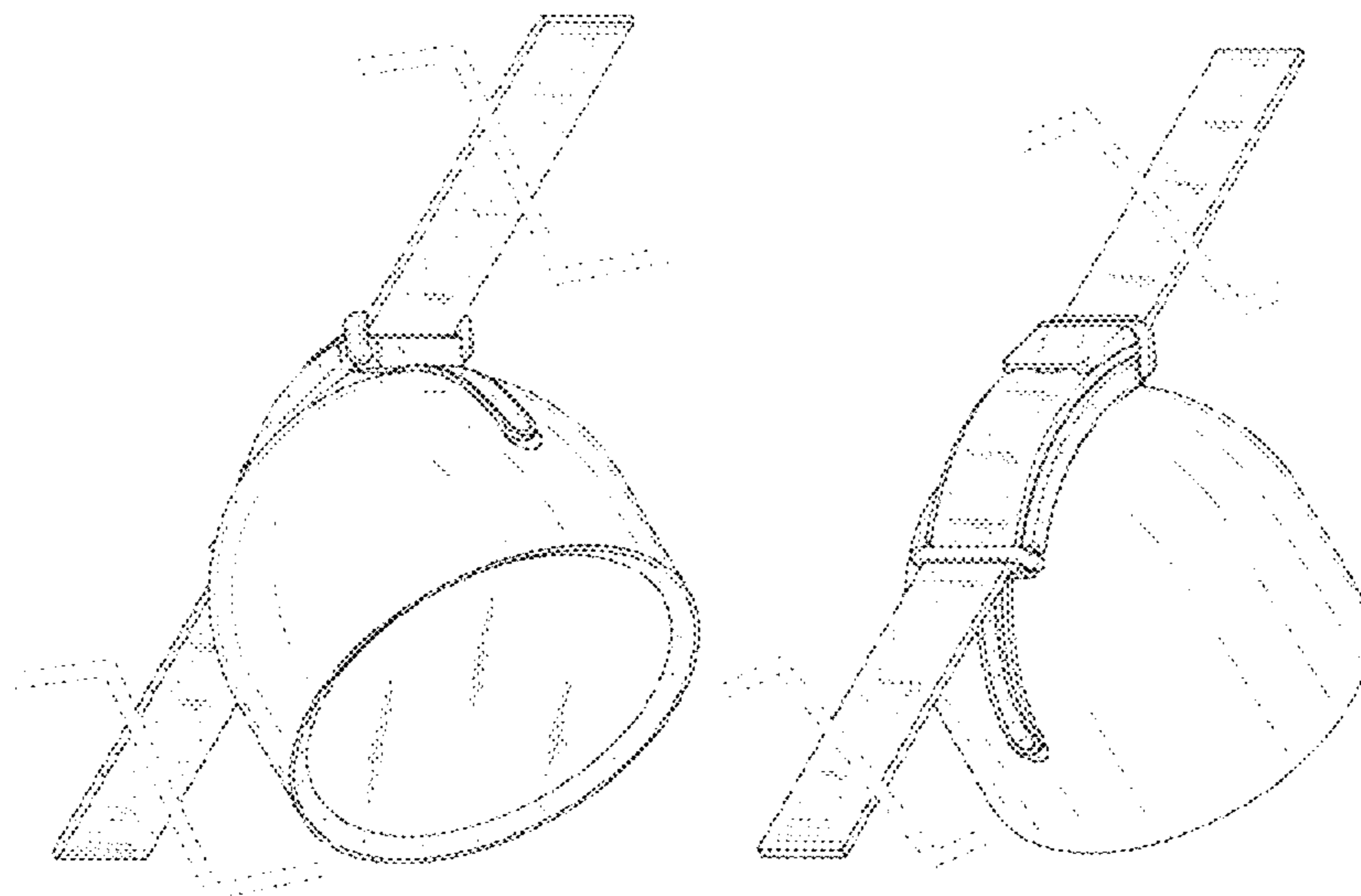
The ornamental design for a lamp, as shown and described.

DESCRIPTION

- 1. Lamp
- 1.1 : Perspective
- 1.2 : Perspective
- 1.3 : Perspective
- 1.4 : Bottom
- 1.5 : Top
- 1.6 : Front
- 1.7 : Left
- 1.8 : Right

In Figure 1.3 the lamp is shown with the band dismounted; the broken lines in the drawings illustrate break lines which form no part of the claimed design; the break lines in figures indicate that the appearance of any portion of the lamp between the break lines forms no part of the claimed design.

1 Claim, 8 Drawing Sheets



(56)

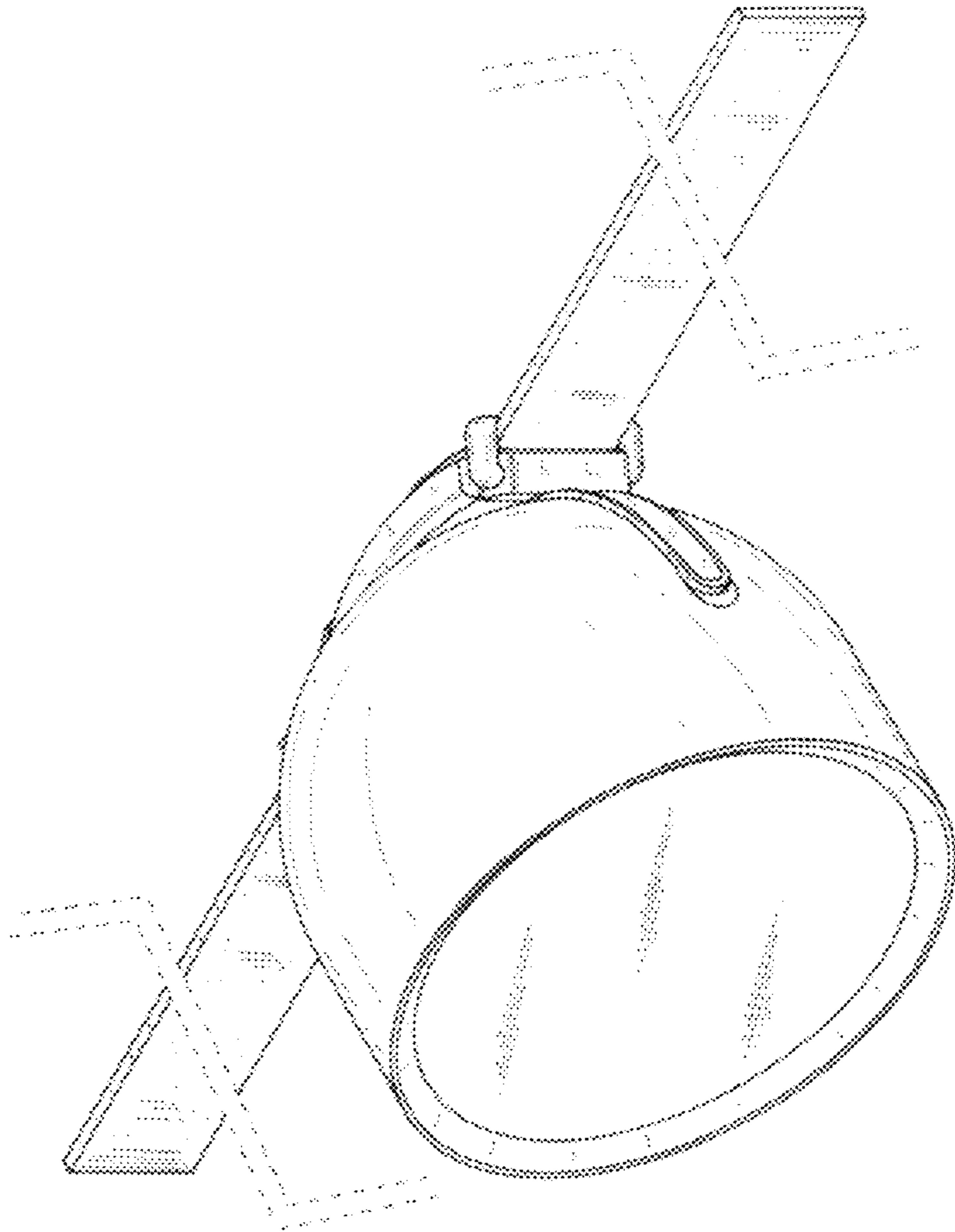
References Cited

U.S. PATENT DOCUMENTS

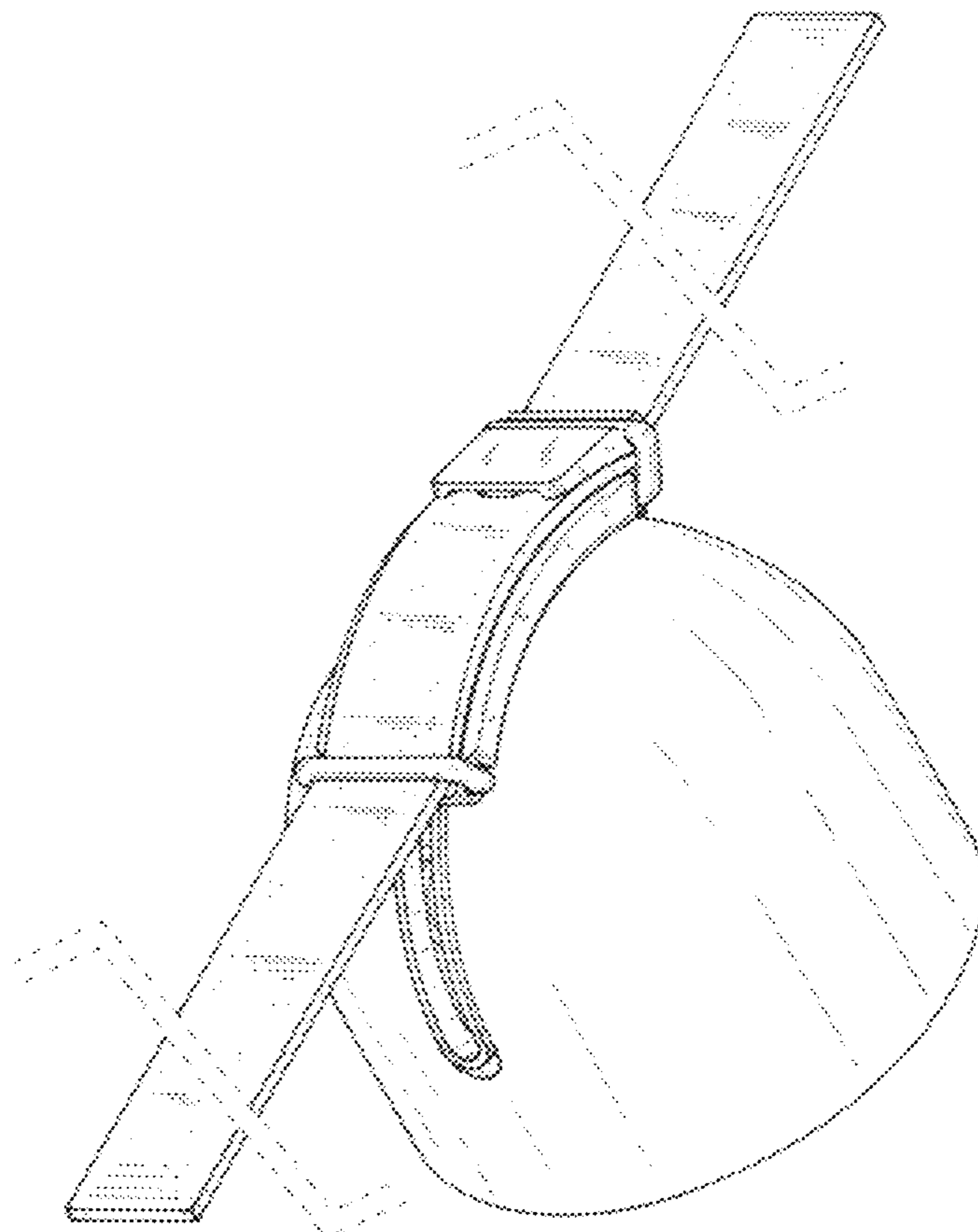
6,742,915 B1 * 6/2004 Westerheide F21S 8/06
 362/311.07
 D615,693 S * 5/2010 Thun D26/88
 D620,633 S * 7/2010 Sabernig D26/88
 D648,465 S * 11/2011 San Juan D26/25
 D670,426 S * 11/2012 Bouroullec D26/118
 D674,530 S * 1/2013 Wanders D26/88
 D739,001 S * 9/2015 Crisa' D23/372
 D768,892 S * 10/2016 Lockart D26/25
 D827,120 S * 8/2018 Crisa' D23/372
 D845,373 S * 4/2019 Mittleman D16/202
 D854,224 S * 7/2019 Hecht D26/88
 D854,730 S * 7/2019 Hecht D26/87
 D869,726 S * 12/2019 Deng D26/72
 D870,353 S * 12/2019 Ramos D26/88
 D870,354 S * 12/2019 Arola D26/88
 D870,355 S * 12/2019 Ramos D26/88
 D872,341 S * 1/2020 Richardson D26/82
 D886,356 S * 6/2020 Cornelissen D26/85
 D893,085 S * 8/2020 Tang D26/88
 D893,086 S * 8/2020 Browning D26/88
 D905,319 S * 12/2020 Cui D26/106
 D930,226 S * 9/2021 Richardson D26/118
 D941,517 S * 1/2022 Amato D26/87
 2002/0024812 A1 * 2/2002 Agro F21V 21/34
 362/147
 2010/0135024 A1 * 6/2010 Gier F21S 4/10
 362/294
 2017/0167707 A1 * 6/2017 Stanton H01R 13/625

* cited by examiner

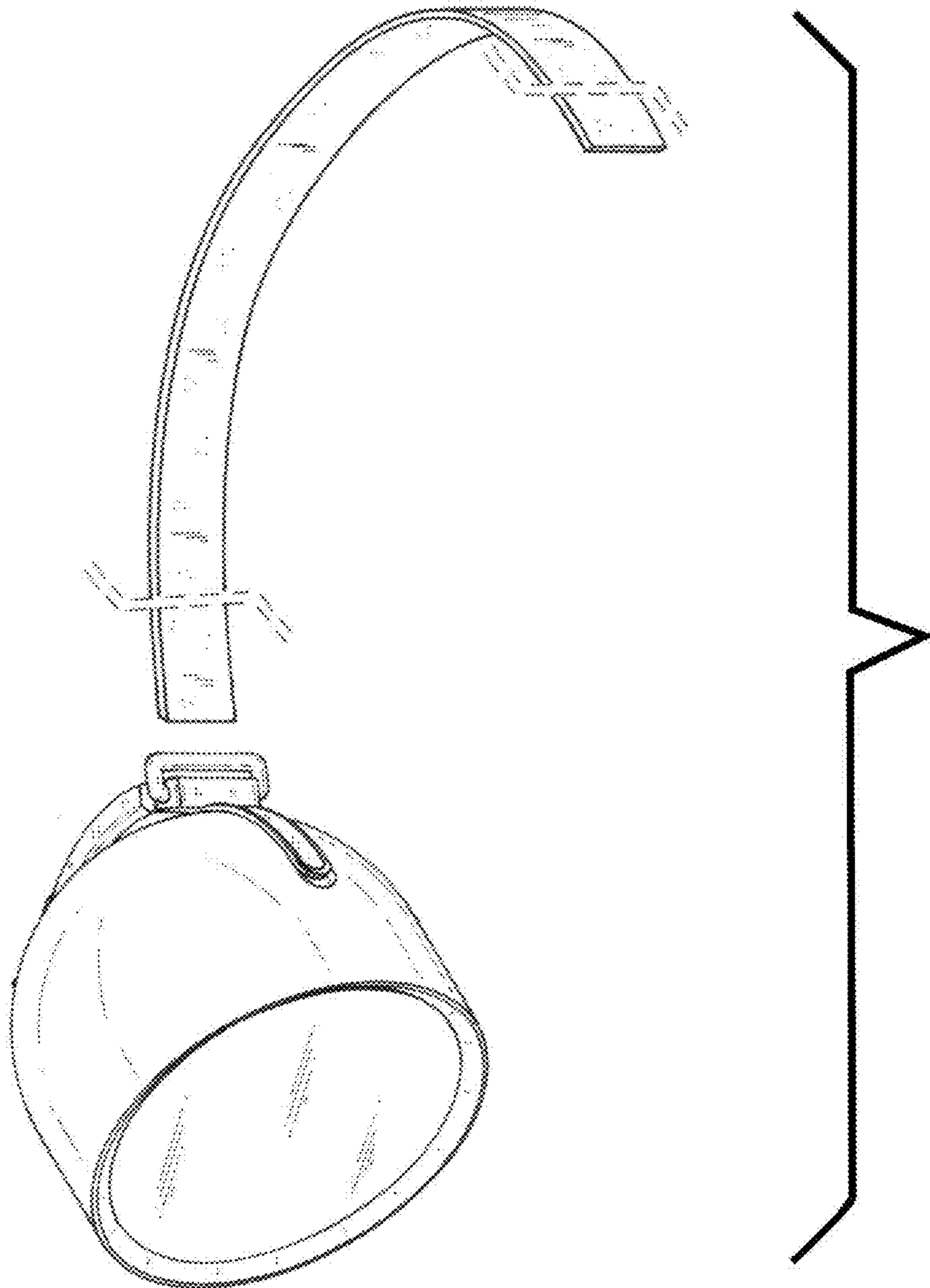
1.1



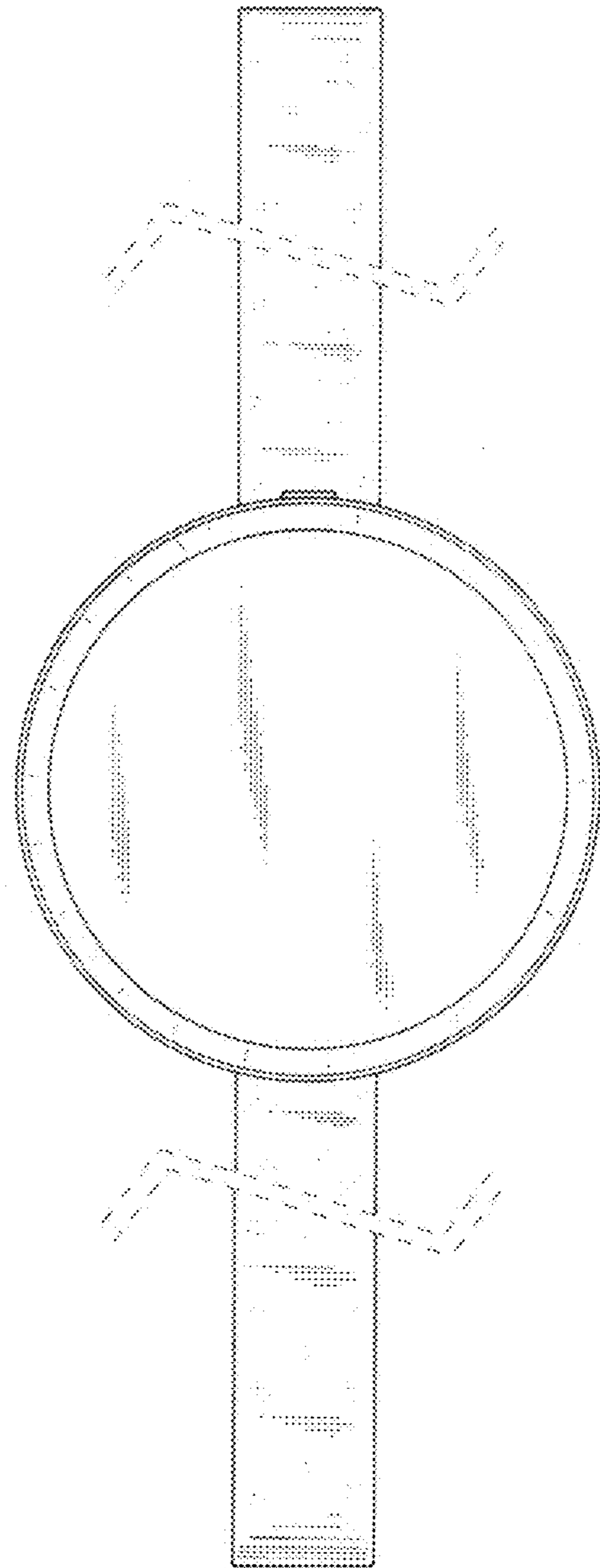
1.2



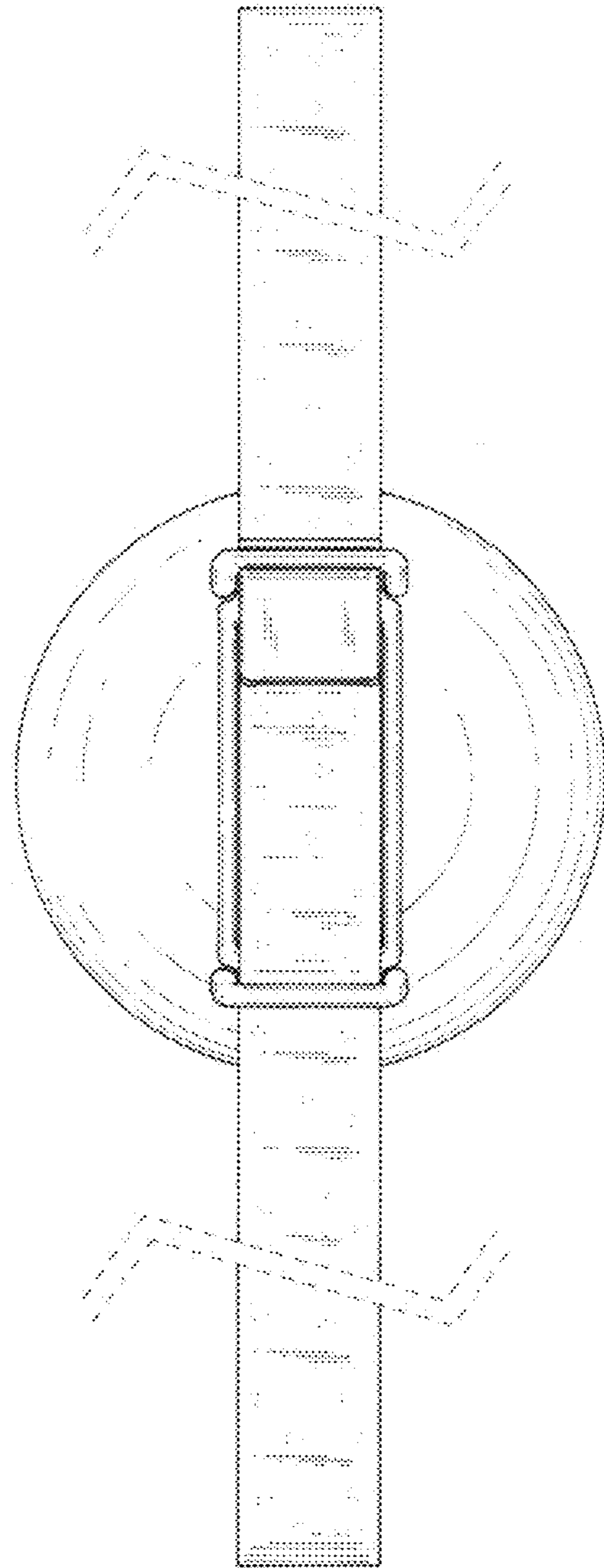
1.3



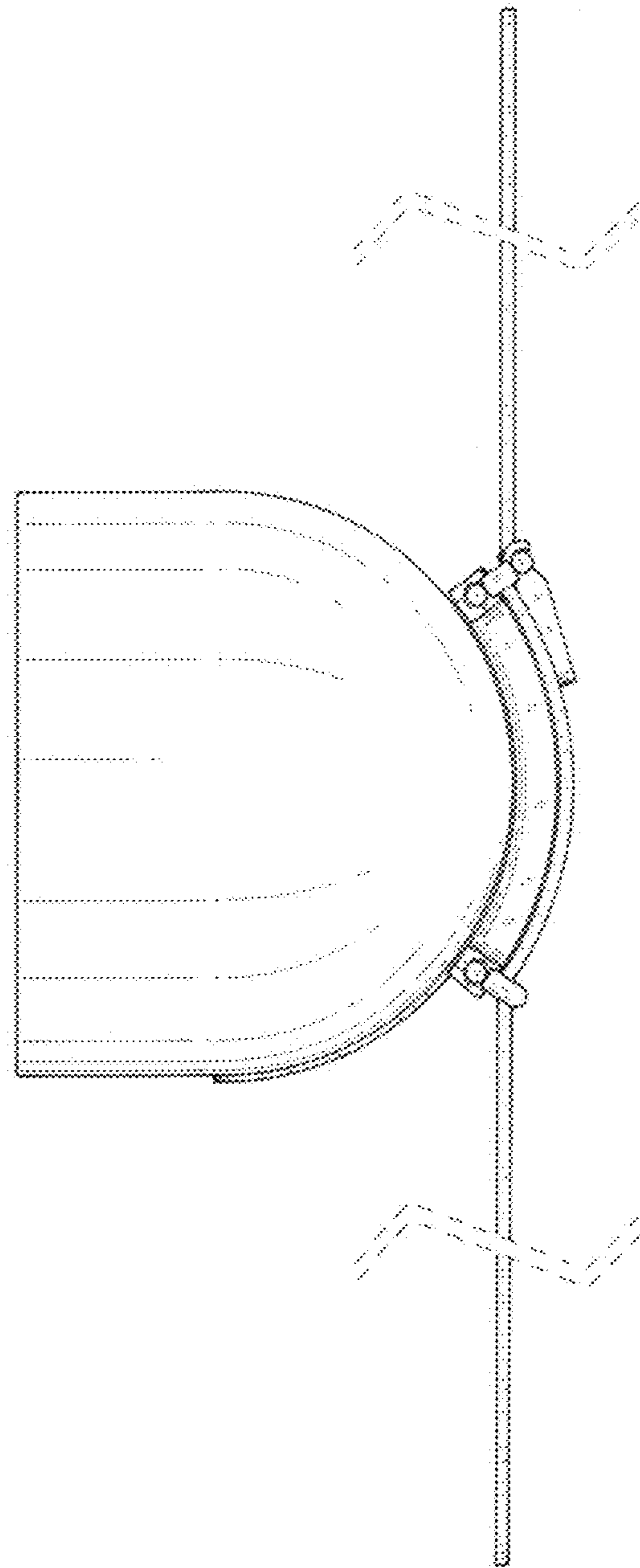
1.4



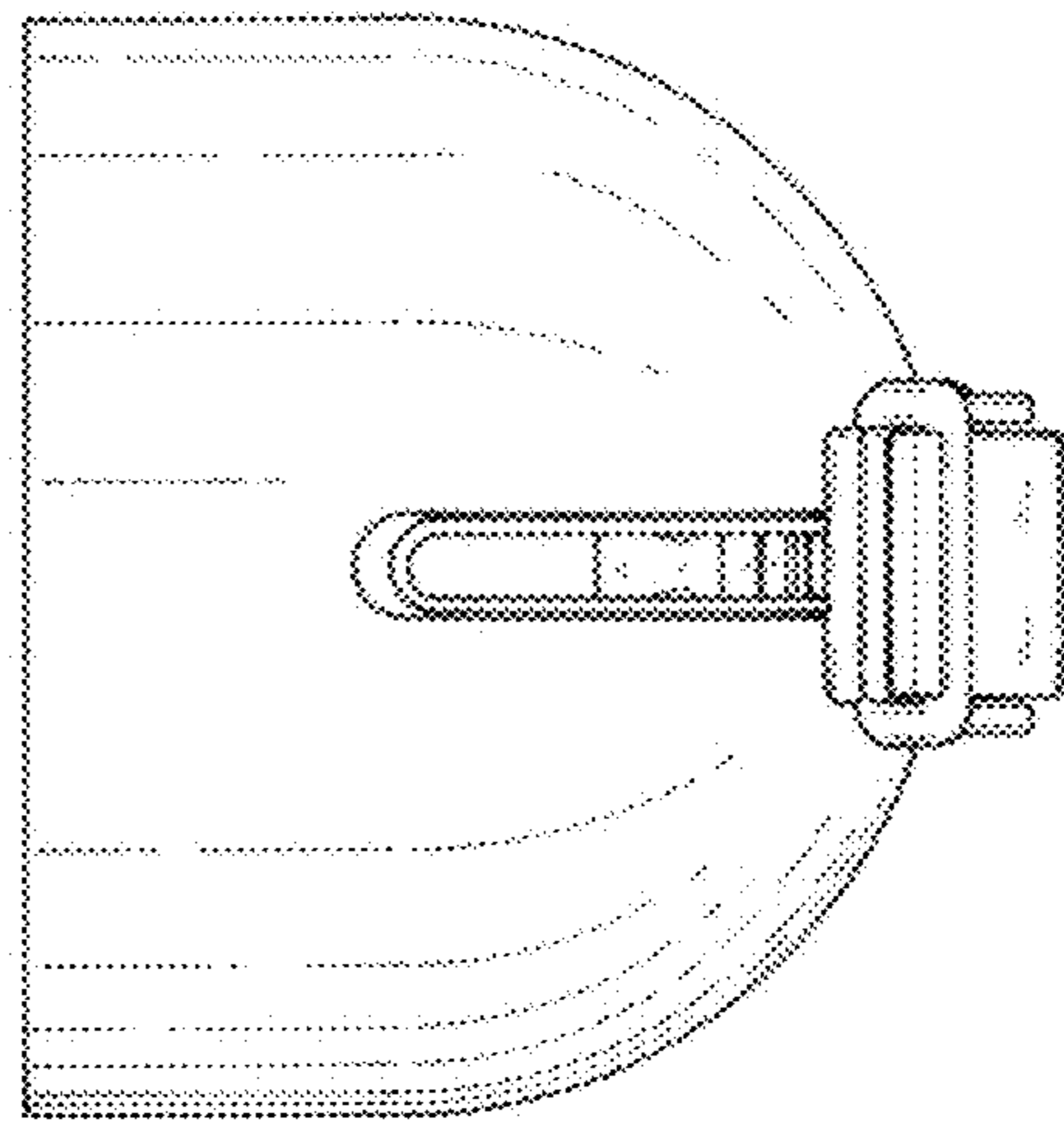
1.5



1.6



1.7



1.8

