



US00D962519S

(12) **United States Design Patent** (10) **Patent No.:** **US D962,519 S**
Diez (45) **Date of Patent:** **** Aug. 30, 2022**

(54) **LAMP** 6,425,682 B1 * 7/2002 Klaus F21S 8/068
362/378
(71) Applicant: **VIBIA LIGHTING, S.L.U**, Gava (ES) D596,780 S * 7/2009 Thun D26/88
D615,693 S * 5/2010 Thun D26/88
(72) Inventor: **Stefan Diez**, Munich (DE) D620,633 S * 7/2010 Sabernig D26/88
D648,465 S * 11/2011 San Juan D26/25
(73) Assignee: **VIBIA LIGHTING, S.L.U.**, Gavà (ES) D670,426 S * 11/2012 Bouroullec D26/118
D715,985 S * 10/2014 Anastassiades D26/88
D736,453 S * 8/2015 Motzkin D26/128
(**) Term: **15 Years** D768,892 S * 10/2016 Lockart D26/25
D828,945 S * 9/2018 Crocker D26/81
(21) Appl. No.: **35/511,419** D854,224 S * 7/2019 Hecht D26/88
D870,353 S * 12/2019 Ramos D26/88
(22) Filed: **Nov. 6, 2020** D870,354 S * 12/2019 Arola D26/88

(Continued)

(80) **Hague Agreement Data**

Int. Filing Date: **Nov. 6, 2020**
Int. Reg. No.: **DM/212674**
Int. Reg. Date: **Nov. 6, 2020**
Int. Reg. Pub. Date: **Feb. 19, 2021**

FOREIGN PATENT DOCUMENTS

DE 202009001808 U1 * 8/2009 F21S 8/033
EMRGN-007875539-0036 * 5/2020
KR 1715065 B1 * 3/2017 A47G 33/00

Primary Examiner — Richard Kearney

(74) *Attorney, Agent, or Firm* — McCormick, Paulding & Huber PLLC

(30) **Foreign Application Priority Data**

May 8, 2020 (EM) 007875539-0002

(51) **LOC (13) Cl.** **26-05**

(52) **U.S. Cl.**

USPC **D26/72; 26/24**

(58) **Field of Classification Search**

USPC D26/24, 25, 60, 61, 72, 75, 76, 78, 82,
D26/83, 85, 87, 88, 89, 90, 118, 128
CPC F21S 4/00; F21S 8/02; F21S 8/04; F21S
8/06; F21S 8/026; F21S 8/033; F21S
8/038; F21S 8/061; F21S 8/063; F21S
8/066

See application file for complete search history.

(56) **References Cited**

U.S. PATENT DOCUMENTS

D232,858 S * 9/1974 Husby D26/71
D234,799 S * 4/1975 Jericho D26/52
D390,680 S * 2/1998 Giese D26/68
D453,702 S * 2/2002 Hill D11/7

(57) **CLAIM**

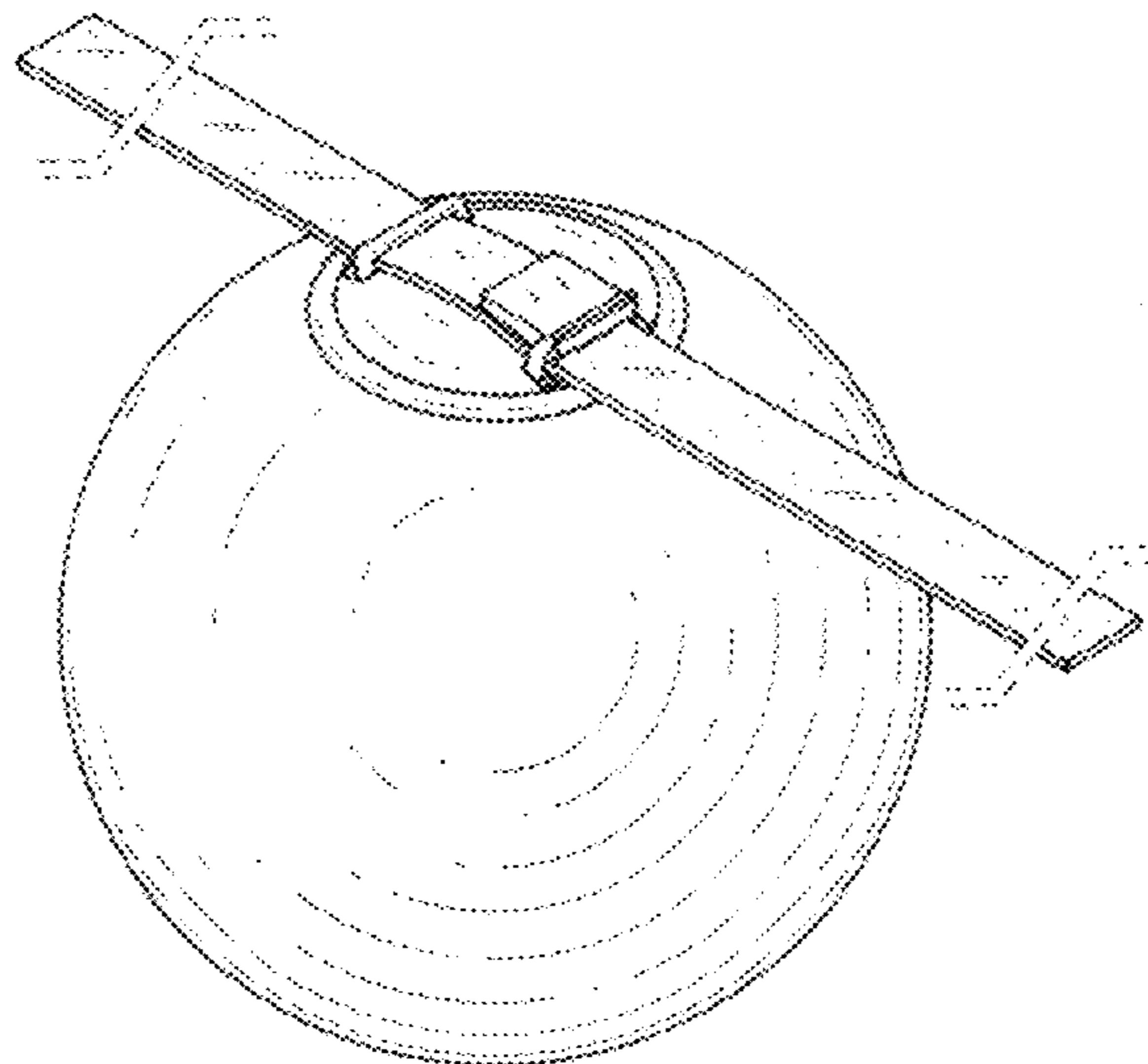
The ornamental design for a lamp, as shown and described.

DESCRIPTION

- 1. Lamp
- 1.1 : Perspective
- 1.2 : Perspective
- 1.3 : Bottom
- 1.4 : Top
- 1.5 : Left
- 1.6 : Right
- 1.7 : Front

In FIG. 1.2 the lamp is shown with the band dismounted; the broken lines in the drawings illustrate break lines which form no part of the claimed design; the break lines in figures indicate that the appearance of any portion of the lamp between the break lines forms no part of the claimed design.

1 Claim, 7 Drawing Sheets



(56)

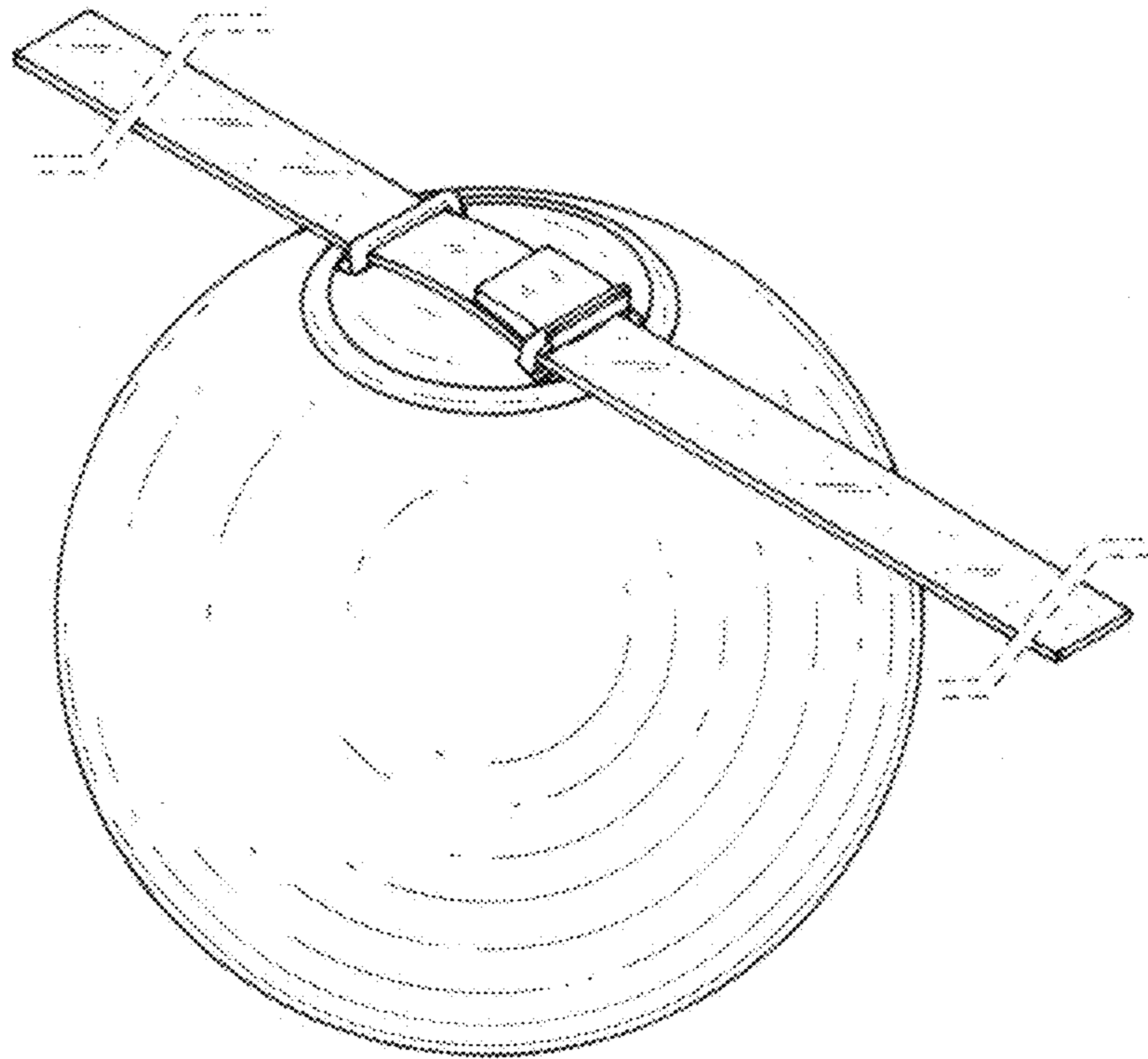
References Cited

U.S. PATENT DOCUMENTS

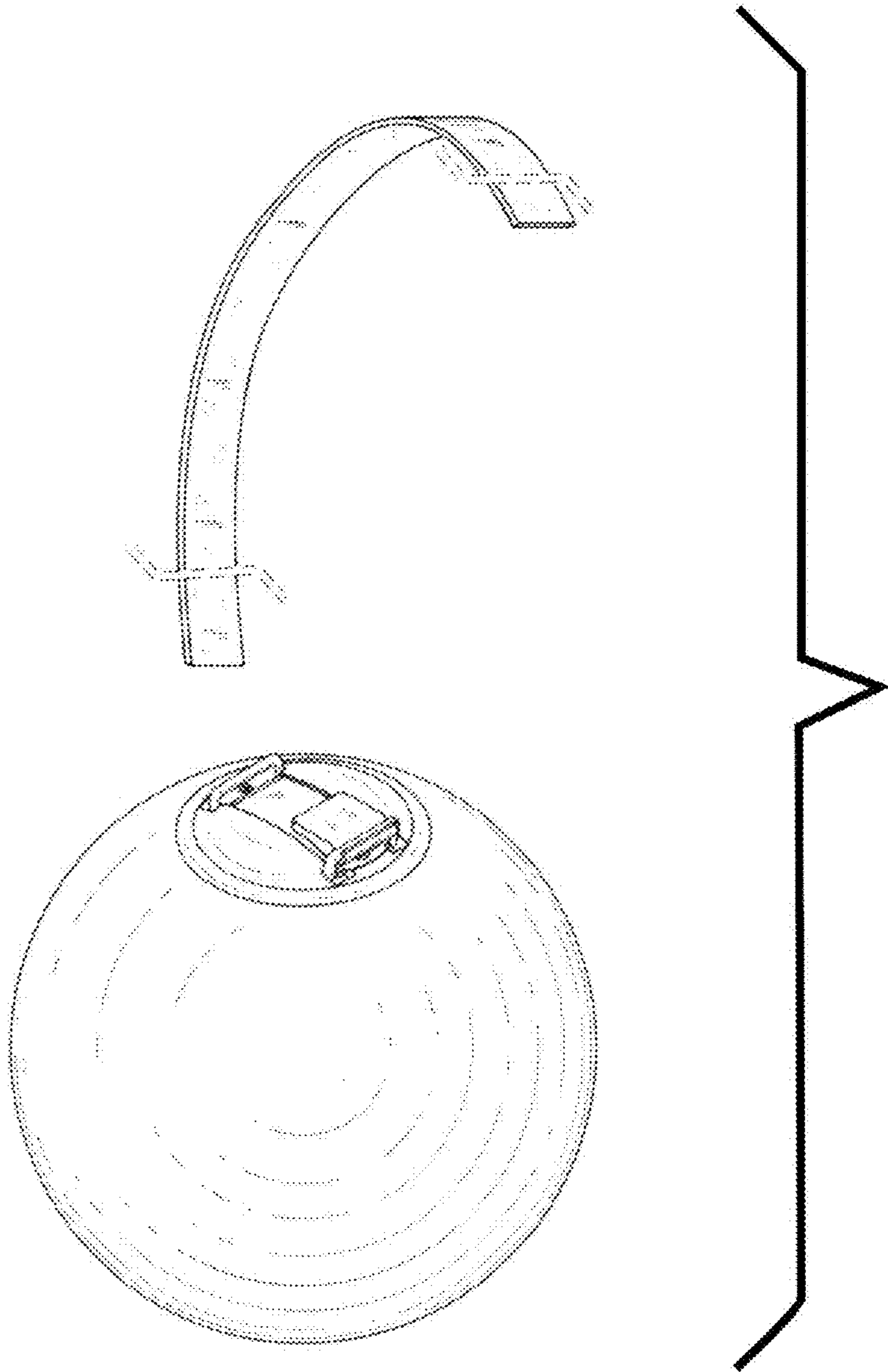
D872,341 S * 1/2020 Richardson D26/82
D886,356 S * 6/2020 Cornelissen D26/85
D893,085 S * 8/2020 Tang D26/88
D893,086 S * 8/2020 Browning D26/88
D905,319 S * 12/2020 Cui D26/106
D930,226 S * 9/2021 Richardson D26/118
D932,085 S * 9/2021 Orozco D26/88
D935,086 S * 11/2021 Anastasiades D26/85
D942,673 S * 2/2022 Huang D26/104
D943,801 S * 2/2022 Bie D26/94
2002/0024812 A1* 2/2002 Agro F21V 21/34
362/147
2005/0083701 A1* 4/2005 Rugee F21S 8/04
362/382
2012/0120654 A1* 5/2012 Kobayashi F21S 8/061
264/272.14
2017/0038035 A1* 2/2017 Liu F21S 8/063
2017/0167707 A1* 6/2017 Stanton H01R 13/625

* cited by examiner

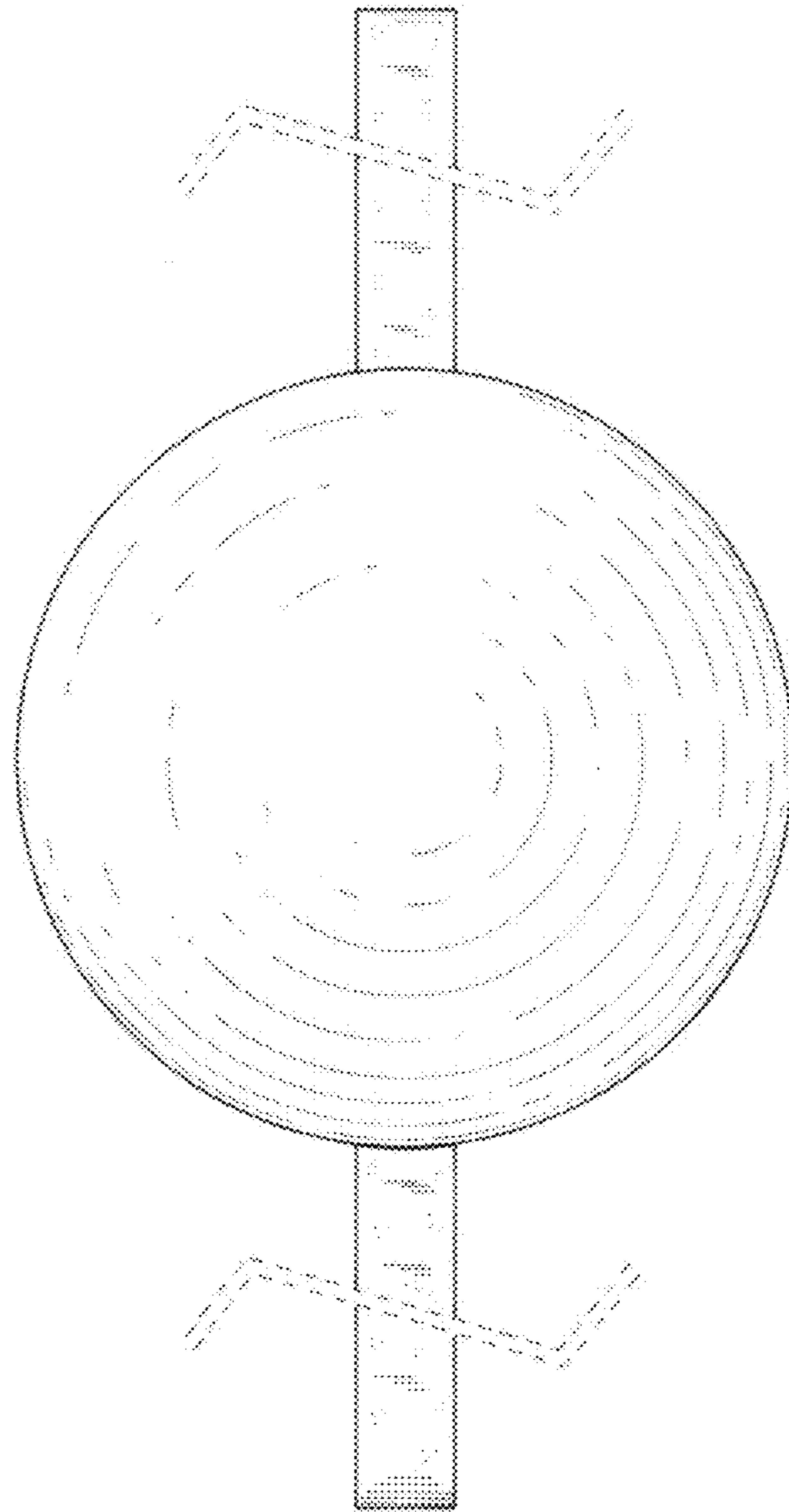
1.1



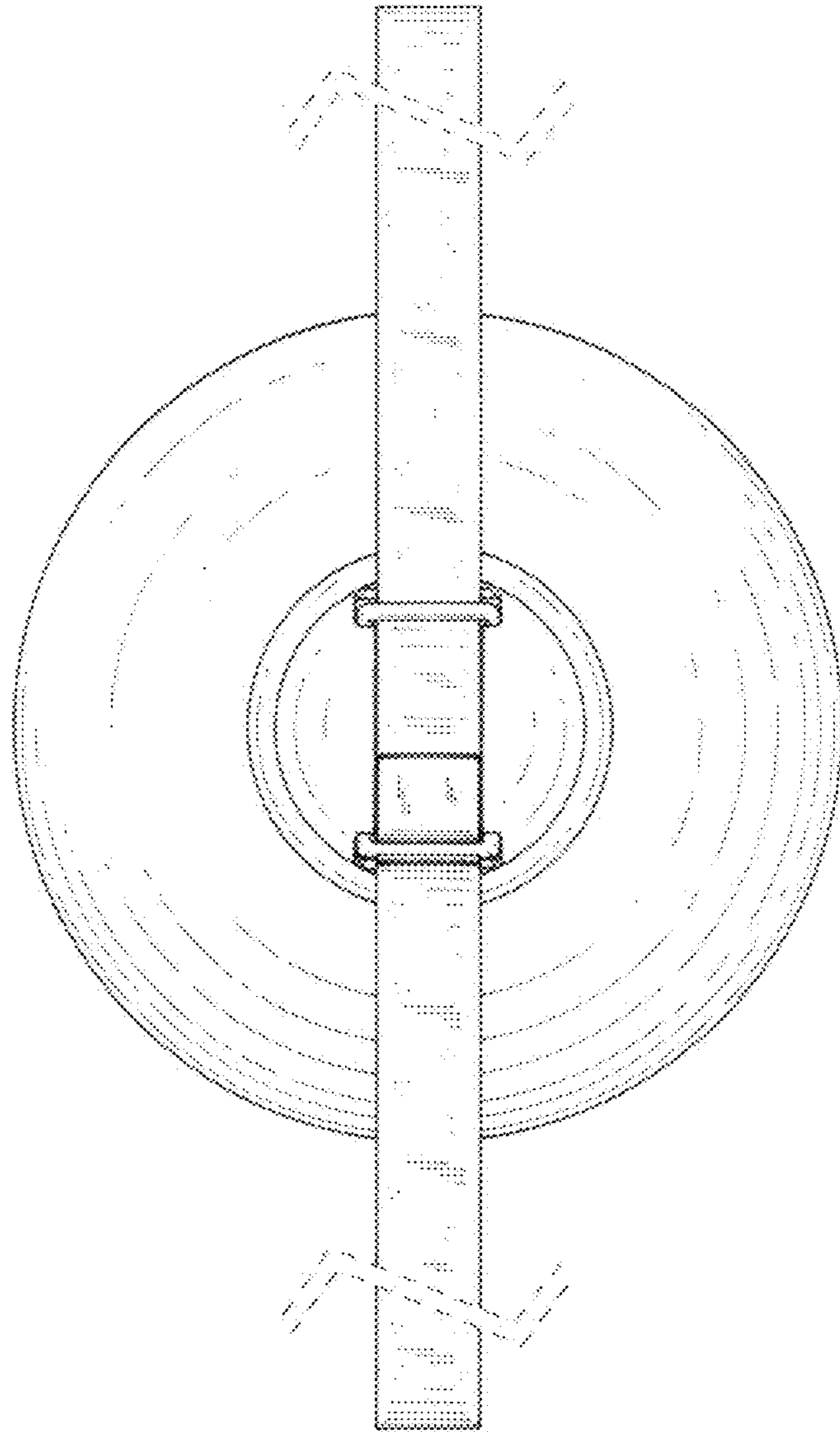
1.2



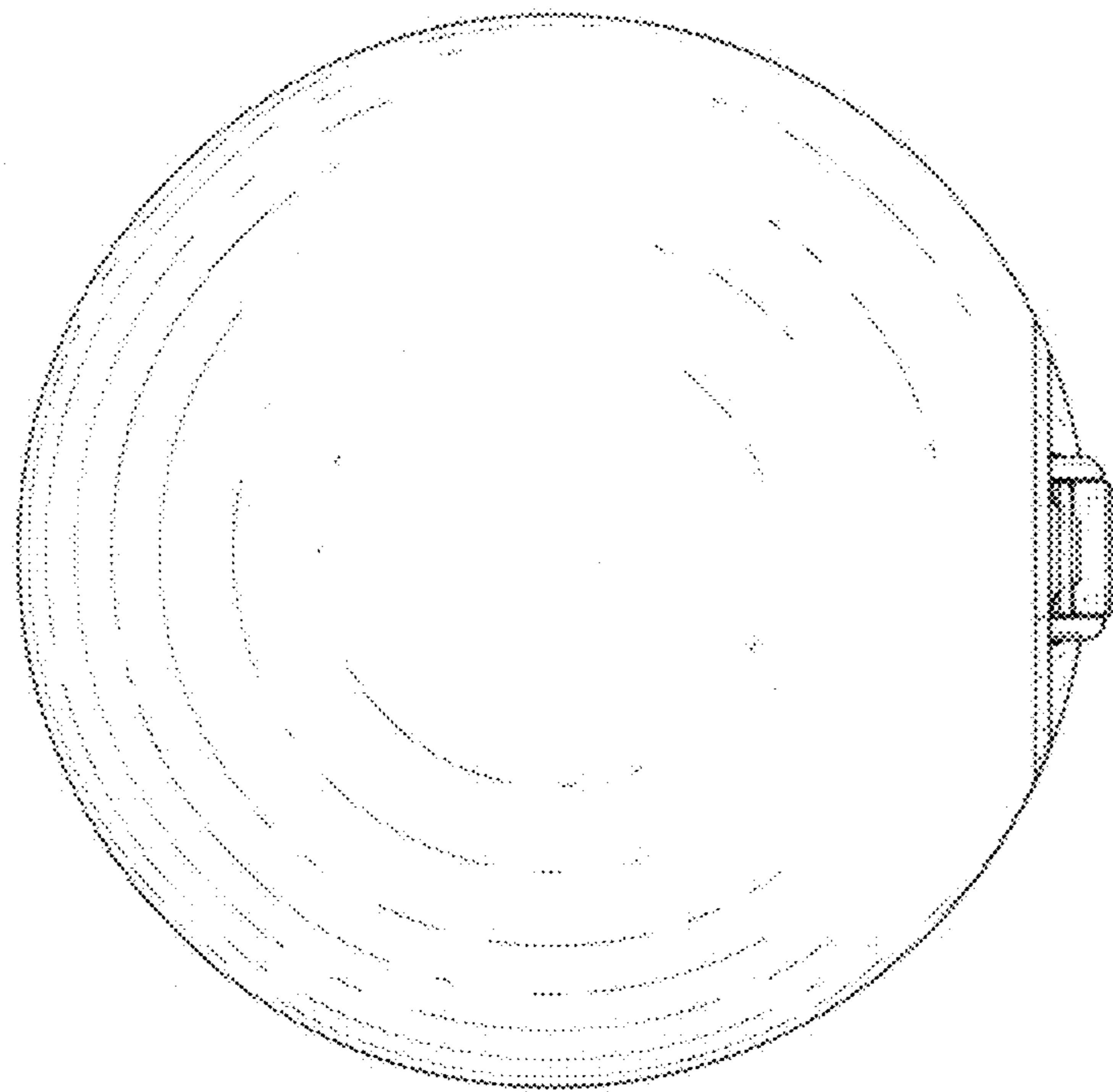
1.3



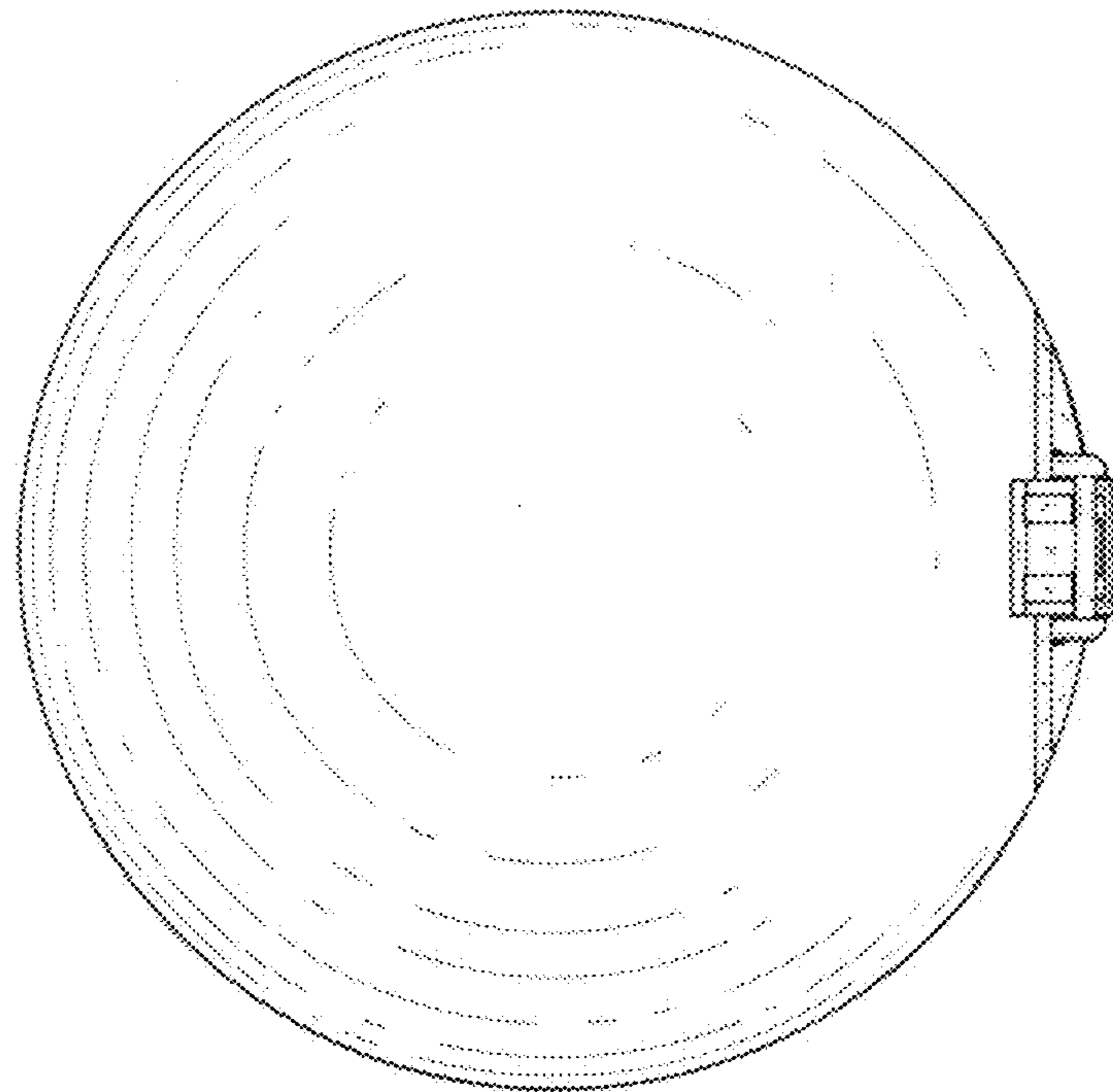
1.4



1.5



1.6



1.7

