

US00D962518S

(12) **United States Design Patent**  
**Zeng et al.**

(10) **Patent No.:** **US D962,518 S**

(45) **Date of Patent:** **\*\* Aug. 30, 2022**

(54) **SOLAR WALL LAMP**

(71) Applicant: **Zhejiang Twinsel Electronic Technology Co., Ltd., Zhejiang (CN)**

(72) Inventors: **Xueren Zeng, Zhejiang (CN); Qian Xu, Zhejiang (CN); Zhenzhong Kong, Zhejiang (CN); Jiawei Li, Zhejiang (CN); Junxiang Ma, Zhejiang (CN); Xiaofeng Tang, Zhejiang (CN); Jinglin Zheng, Zhejiang (CN)**

(73) Assignee: **Zhejiang Twinsel Electronic Technology Co., Ltd., Ningbo (CN)**

(\*\*) Term: **15 Years**

(21) Appl. No.: **29/755,827**

(22) Filed: **Oct. 23, 2020**

(51) **LOC (13) Cl.** ..... **26-05**

(52) **U.S. Cl.**  
USPC ..... **D26/72; D26/85**

(58) **Field of Classification Search**  
USPC ..... D26/72, 85, 92; D10/106.6, 106.8  
CPC .... F21S 8/03; F21S 8/033; F21S 8/036; F21S 9/03; F21S 9/037; F21S 13/02; F21S 13/10; F21S 13/14; F21W 2131/107; G08B 13/193

See application file for complete search history.

(56) **References Cited**

**U.S. PATENT DOCUMENTS**

D110,164 S *	6/1938	Arenberg	.....	D26/85
D569,028 S *	5/2008	Sandell	.....	D26/85
D728,144 S *	4/2015	Recker	.....	D26/85
D791,994 S *	7/2017	Liu	.....	D10/106.8
D805,236 S *	12/2017	Exley	.....	D26/85
D829,359 S *	9/2018	Zhang	.....	D26/85

D829,956 S *	10/2018	Liu	.....	D26/85
D848,049 S *	5/2019	Hu	.....	D26/85
D864,459 S *	10/2019	Pan	.....	D26/85
D882,148 S *	4/2020	He	.....	D26/85
D902,764 S *	11/2020	Kang	.....	D10/114.1
D938,638 S *	12/2021	Chen	.....	D26/85
D940,372 S *	1/2022	Loew	.....	D26/85
D945,677 S *	3/2022	Xiao	.....	D26/72

**OTHER PUBLICATIONS**

Crepow, Solar Outdoor Light. First available Dec. 28, 2021. Searched May 26, 2022. [https://www.amazon.com/Lights-Outdoor-CREPOW-Security-Waterproof/dp/B09PBD3SPB/] (Year: 2021).\*

(Continued)

*Primary Examiner* — Samantha Q Lawrence  
*Assistant Examiner* — Melissa Adriane Santos

(57) **CLAIM**

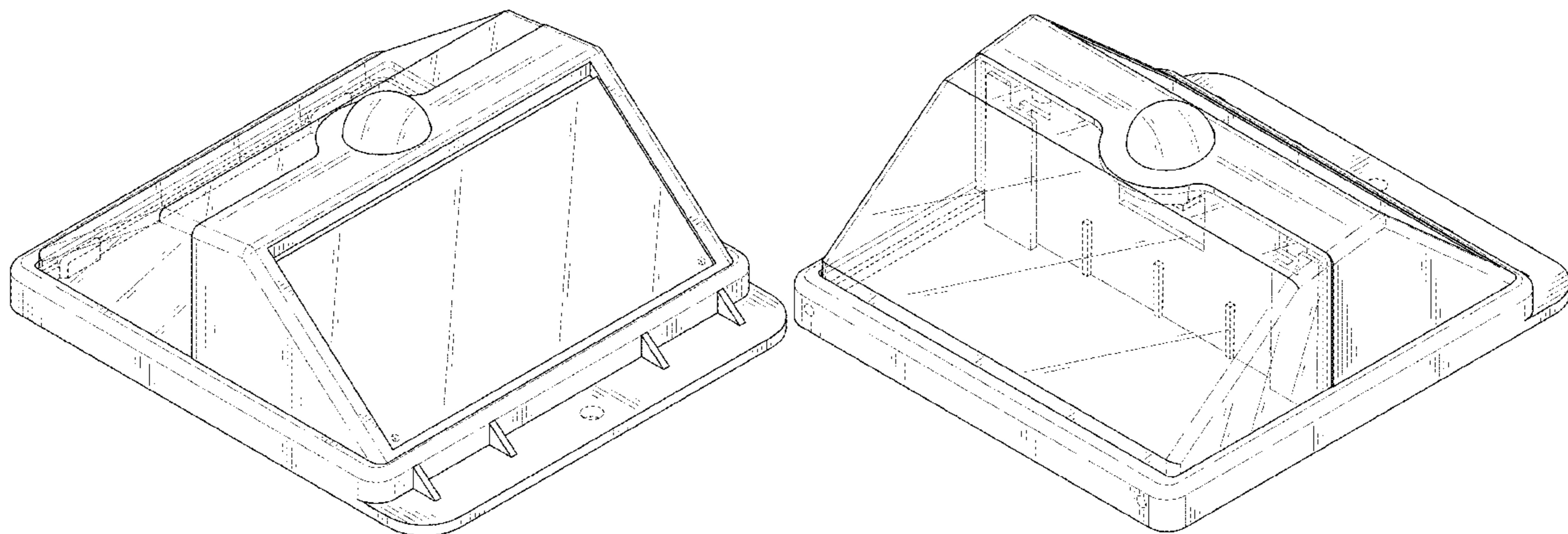
The ornamental design for a solar wall lamp, as shown and described.

**DESCRIPTION**

FIG. 1 is a top, front and left side perspective view of a solar wall lamp showing our new design;  
FIG. 2 is a bottom, rear and right side perspective view thereof;  
FIG. 3 is a top, rear and left side perspective view thereof;  
FIG. 4 is a front elevational view thereof;  
FIG. 5 is a rear elevational view thereof;  
FIG. 6 is a left side view thereof;  
FIG. 7 is a right side view thereof;  
FIG. 8 is a top plan view thereof; and,  
FIG. 9 is a bottom plan view thereof.

The broken lines in the drawings illustrate portions of the solar wall lamp which form no part of the claimed design.

**1 Claim, 9 Drawing Sheets**



(56)

**References Cited**

OTHER PUBLICATIONS

Pxwaxpy, Solar Outdoor Light. First available Apr. 7, 2019. Searched May 26, 2022. [<https://www.amazon.com/Outdoor-Upgraded-Security-Wireless-Waterproof/dp/B07PRRXMLQV/>] (Year: 2019).\*

Seed Alarm, Solar Outdoor Light. First available Feb. 21, 2020. Searched May 26, 2022. [<https://www.amazon.com/dp/B0851SBW47/>] (Year: 2020).\*

\* cited by examiner

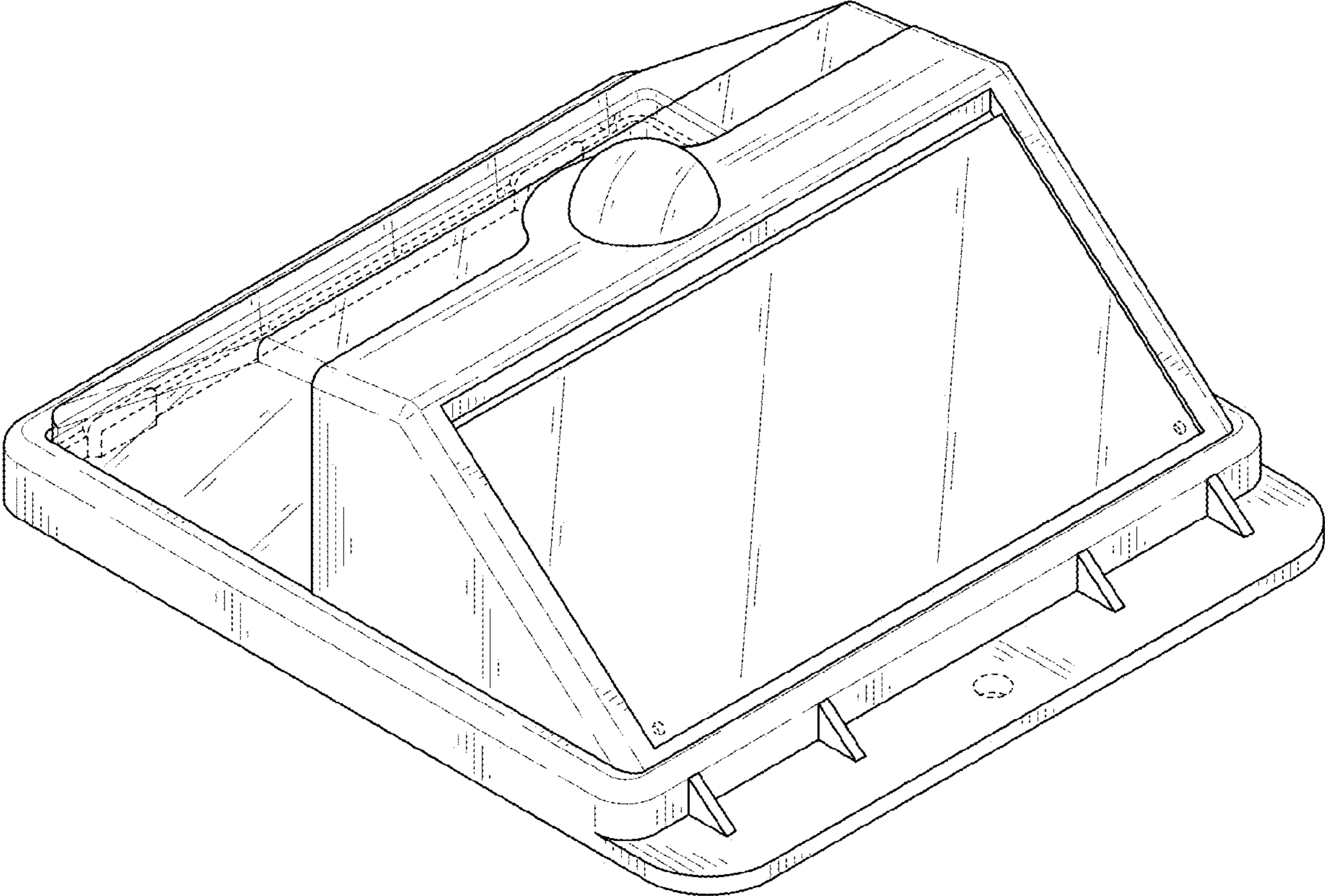


FIG. 1

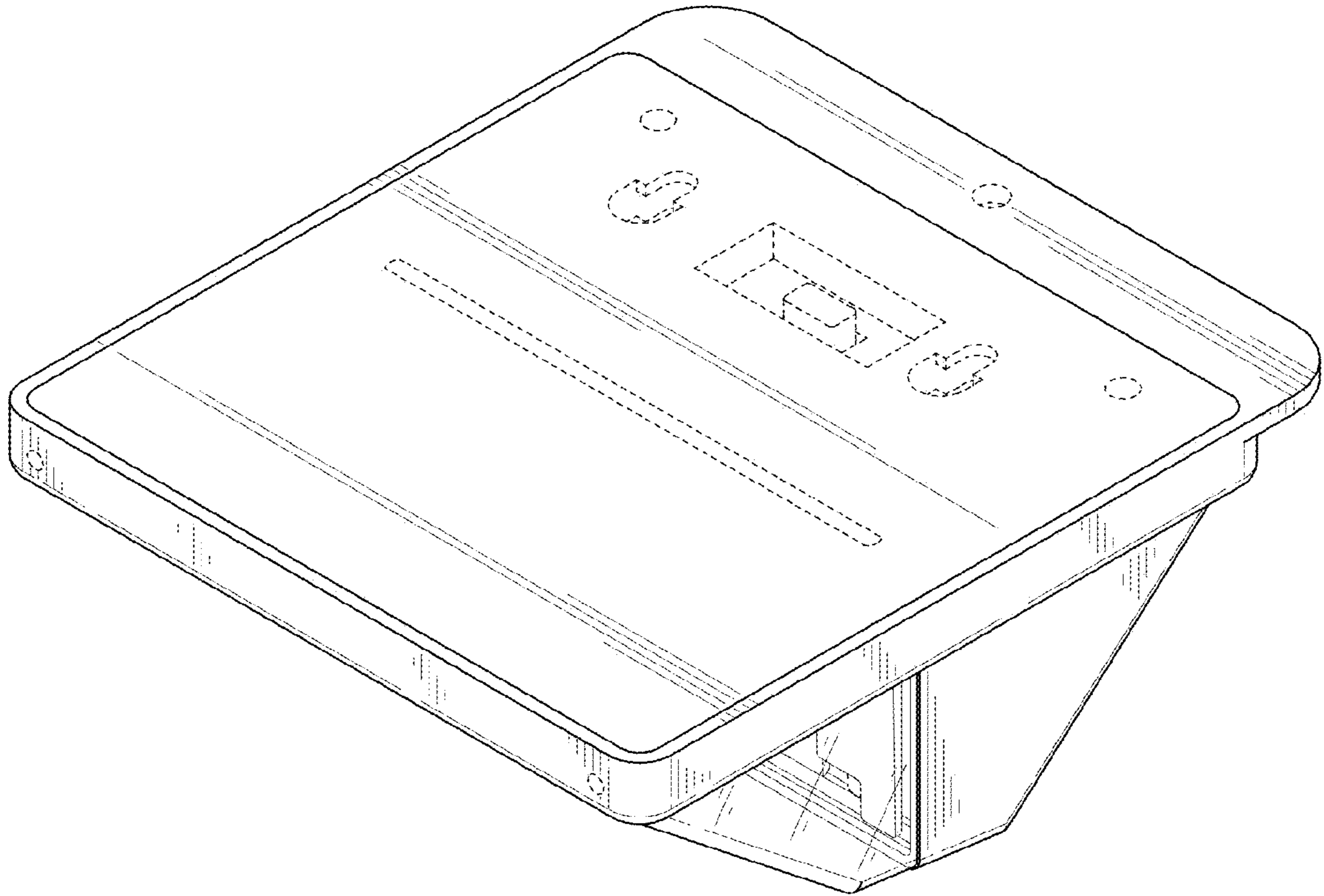


FIG. 2

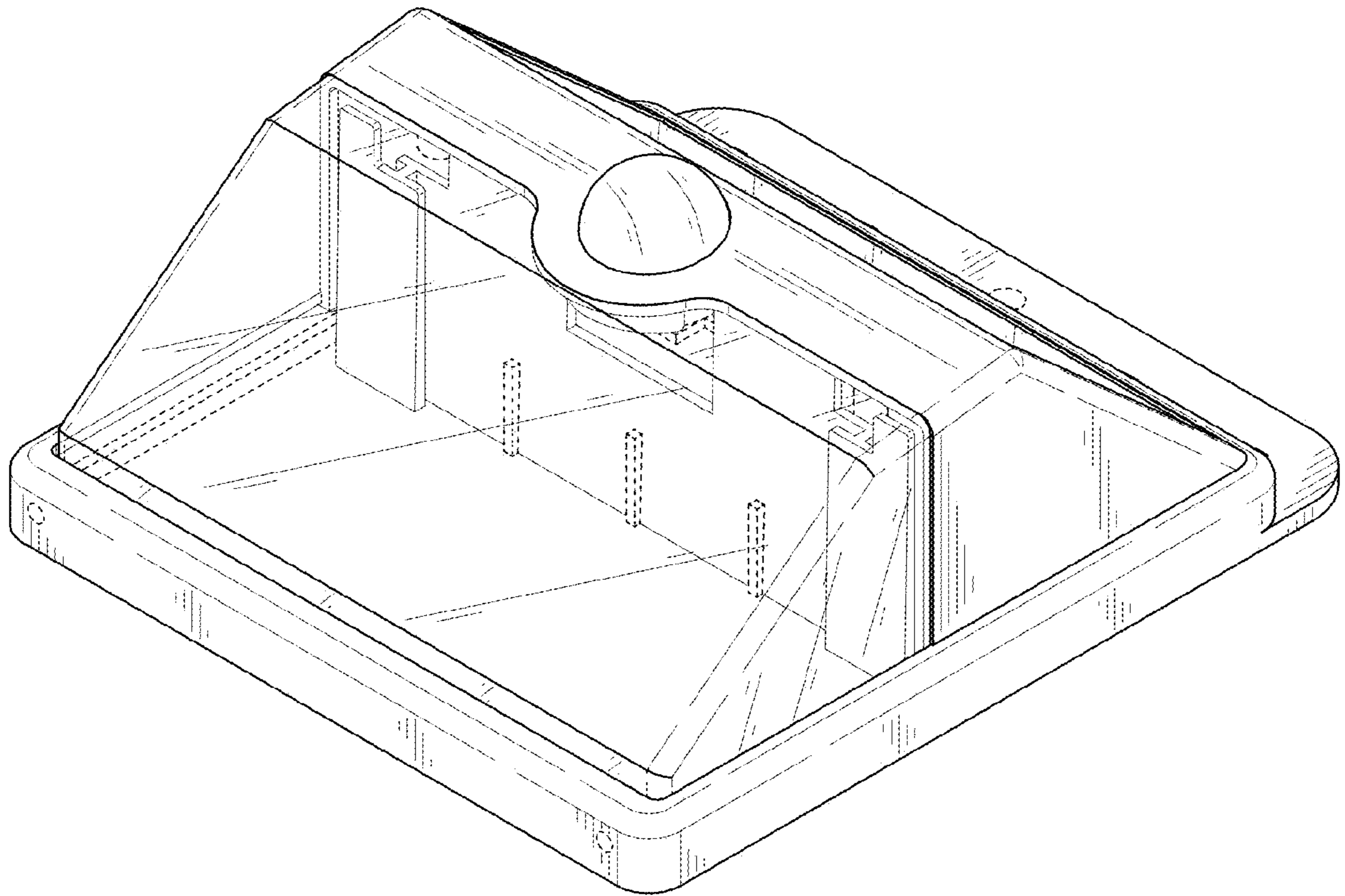


FIG. 3

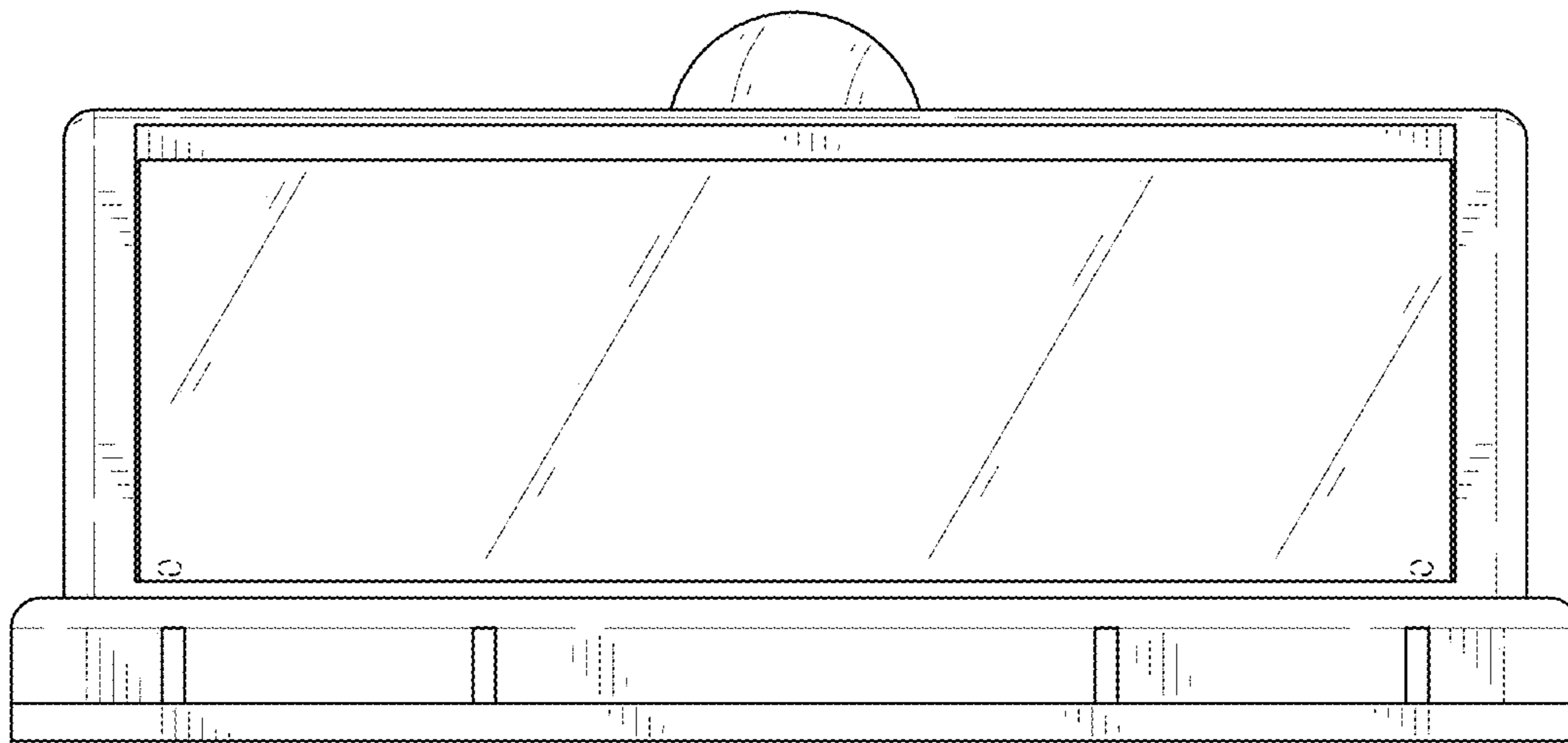


FIG. 4

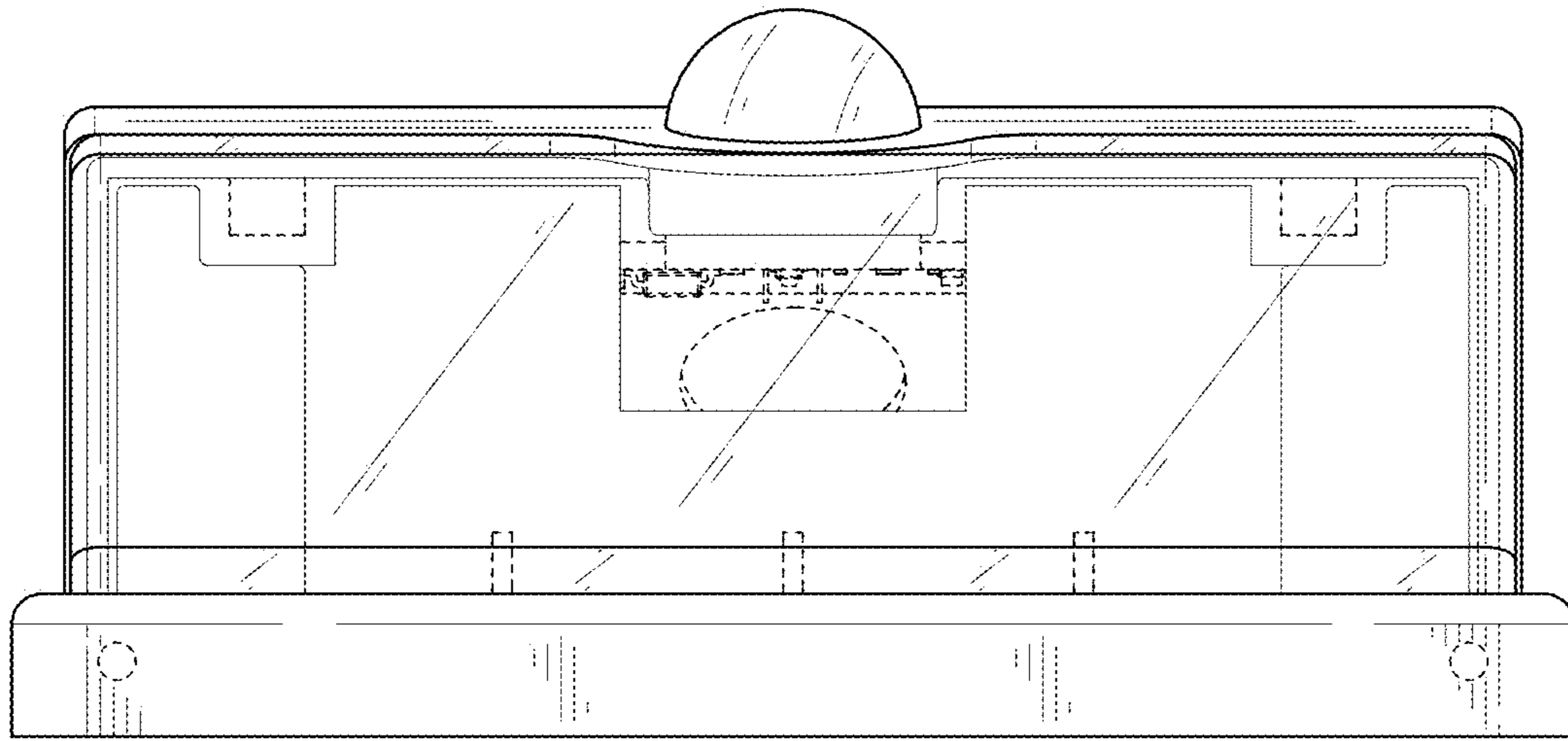


FIG. 5

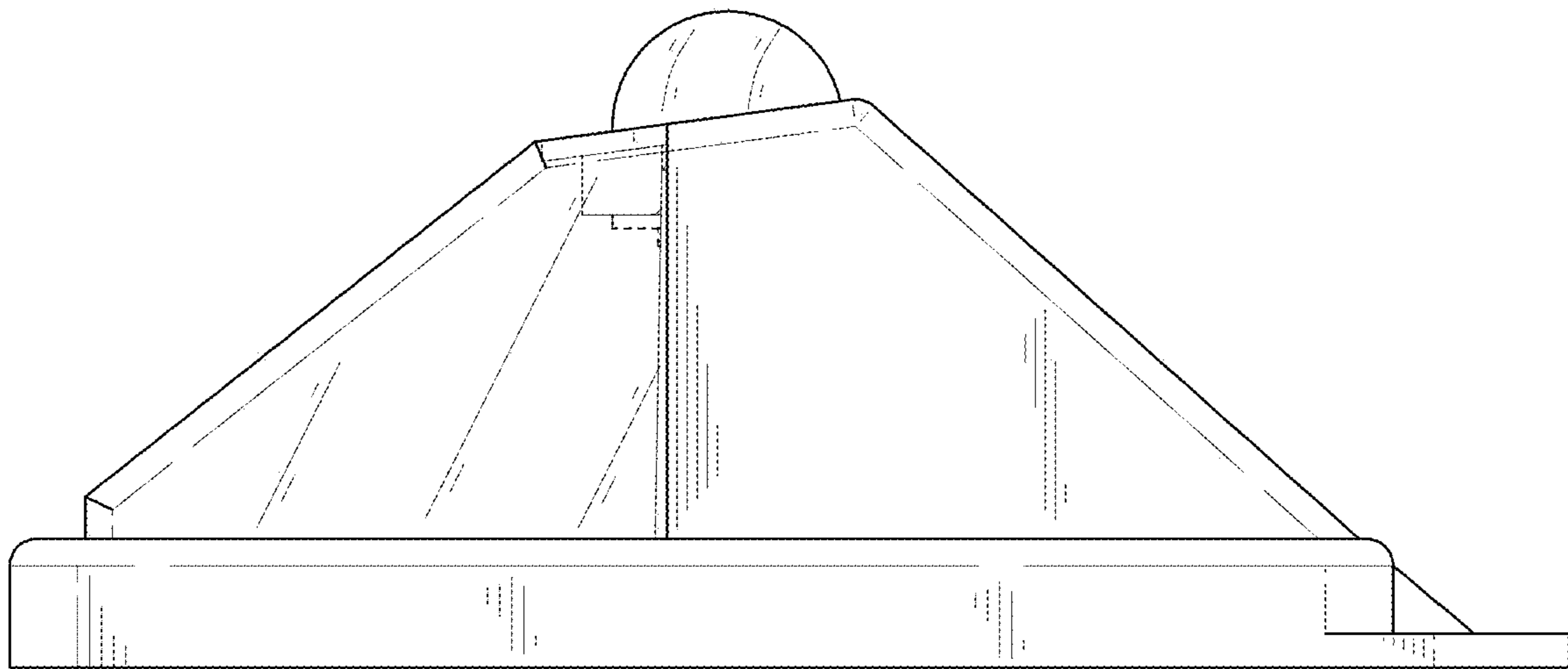


FIG. 6



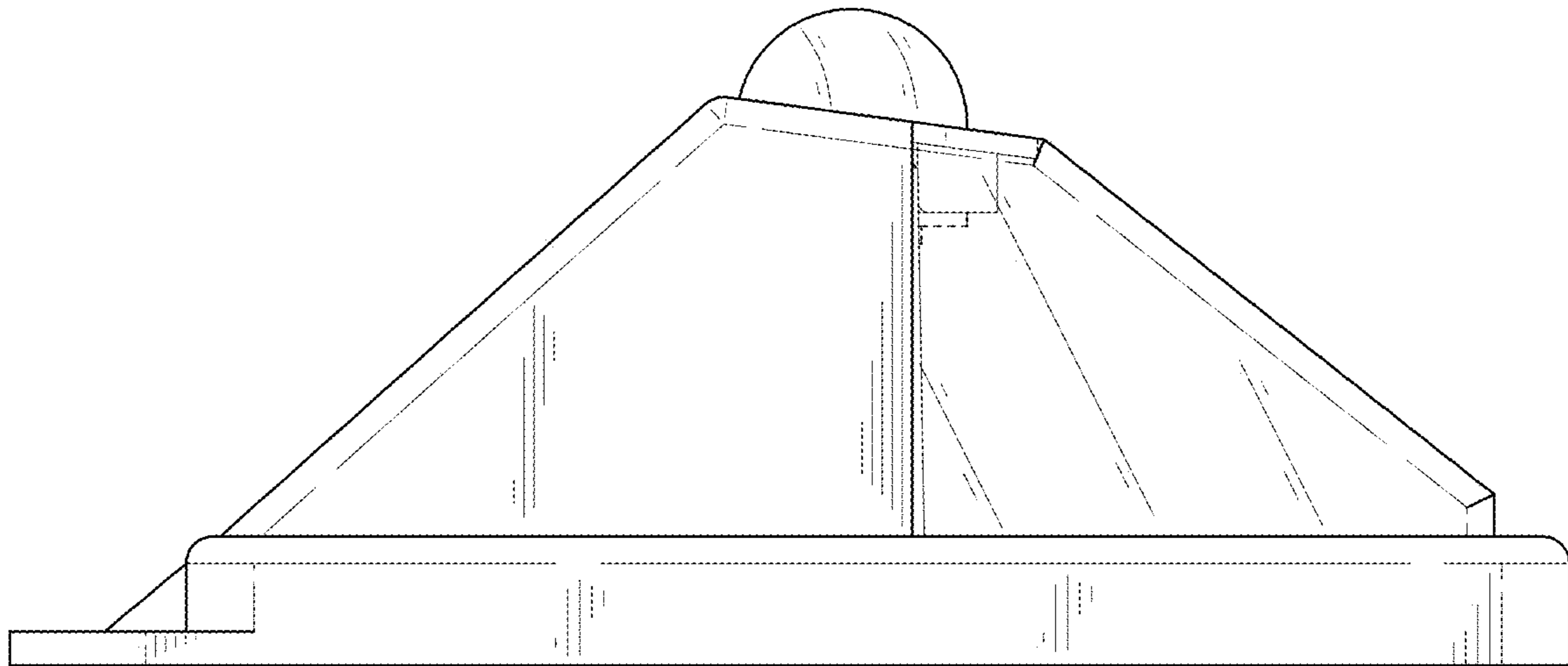


FIG. 7

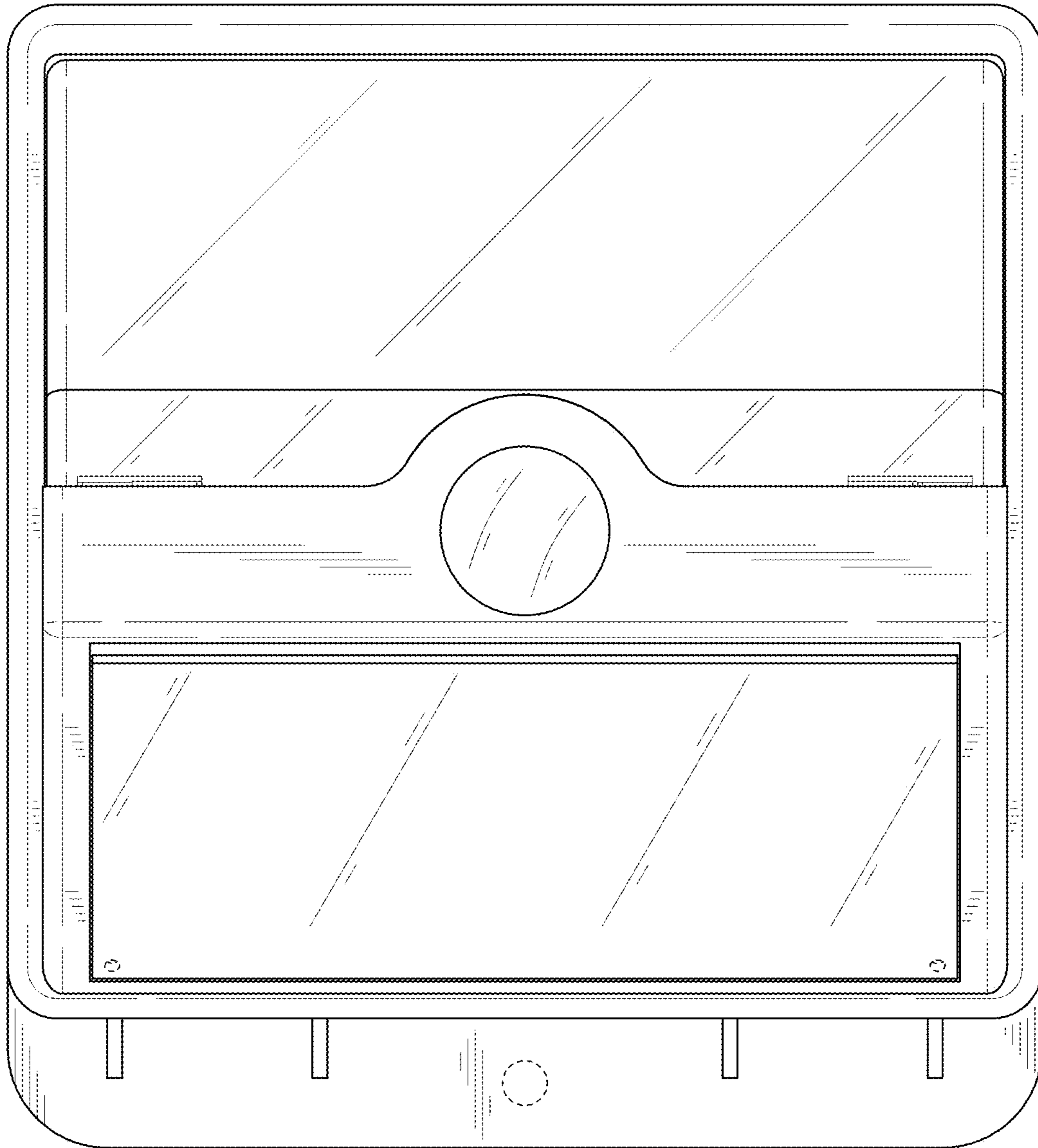


FIG. 8

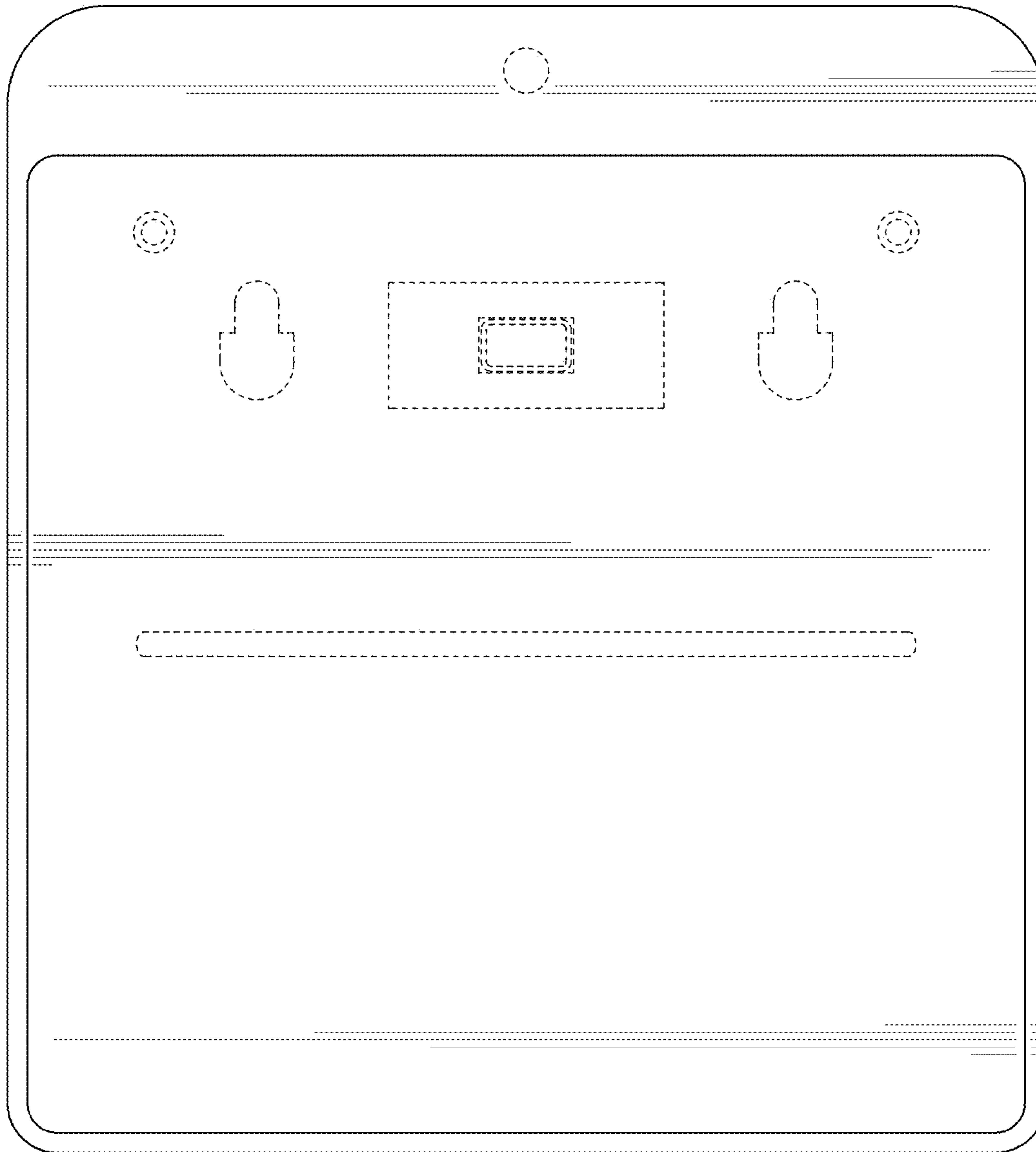


FIG. 9