

US00D962517S

(12) **United States Design Patent** (10) **Patent No.:** **US D962,517 S**  
**Hu** (45) **Date of Patent:** **\*\* Aug. 30, 2022**

(54) **SOLAR GARDEN DECORATION LIGHT**  
(71) Applicant: **Ningbo Exquisite Electrical Appliance Co., Ltd., Ningbo (CN)**  
(72) Inventor: **Jianke Hu, Ningbo (CN)**  
(73) Assignee: **Ningbo Exquisite Electrical Appliance Co., Ltd., Ningbo (CN)**

D739,589 S \* 9/2015 Macura ..... D26/67  
D834,515 S \* 11/2018 Zhang ..... D13/102  
D884,246 S \* 5/2020 Tang ..... D26/67  
D911,574 S \* 2/2021 Hui ..... D26/68  
D923,847 S \* 6/2021 Ye ..... D26/67  
D924,458 S \* 7/2021 Tang ..... D26/67  
2006/0044785 A1 \* 3/2006 Lee ..... F21S 8/00  
362/276

(\*\*) Term: **15 Years**  
(21) Appl. No.: **29/749,705**  
(22) Filed: **Sep. 8, 2020**

(30) **Foreign Application Priority Data**  
Mar. 13, 2020 (CN) ..... 202030084072.5  
(51) **LOC (13) Cl.** ..... **26-05**  
(52) **U.S. Cl.**  
USPC ..... **D26/67**  
(58) **Field of Classification Search**  
USPC ..... D26/67-70  
CPC .. F21S 8/022; F21S 8/032; F21S 8/036; F21S  
8/081; F21S 8/083; F21S 8/088; F21S  
9/02; F21S 9/037; F21S 10/046; F21V  
21/0824; F21W 2111/02; F21W 2111/023;  
F21W 2131/109  
See application file for complete search history.

(56) **References Cited**  
**U.S. PATENT DOCUMENTS**  
D338,080 S \* 8/1993 Elazari ..... D26/68  
D517,717 S \* 3/2006 Sanoner ..... D26/68  
7,041,899 B2 \* 5/2006 Stekelenburg ..... H01R 25/00  
174/53  
D527,133 S \* 8/2006 Hon ..... D26/67  
D555,278 S \* 11/2007 Sanoner ..... D26/68  
D739,066 S \* 9/2015 Macura ..... D26/67

**OTHER PUBLICATIONS**

Plow and Hearth Garden Path Lights, ASIN: B005EZZUX8. Available from amazon.com Sep. 7, 2014. (Year: 2014).\*  
DIPPVET Solar Pathway Lights, ASIN: B08HGXR3V6. Available from amazon.com Sep. 2, 2020. (Year: 2020).\*

\* cited by examiner

*Primary Examiner* — Clare E Heflin  
(74) *Attorney, Agent, or Firm* — Georgi Korobanov

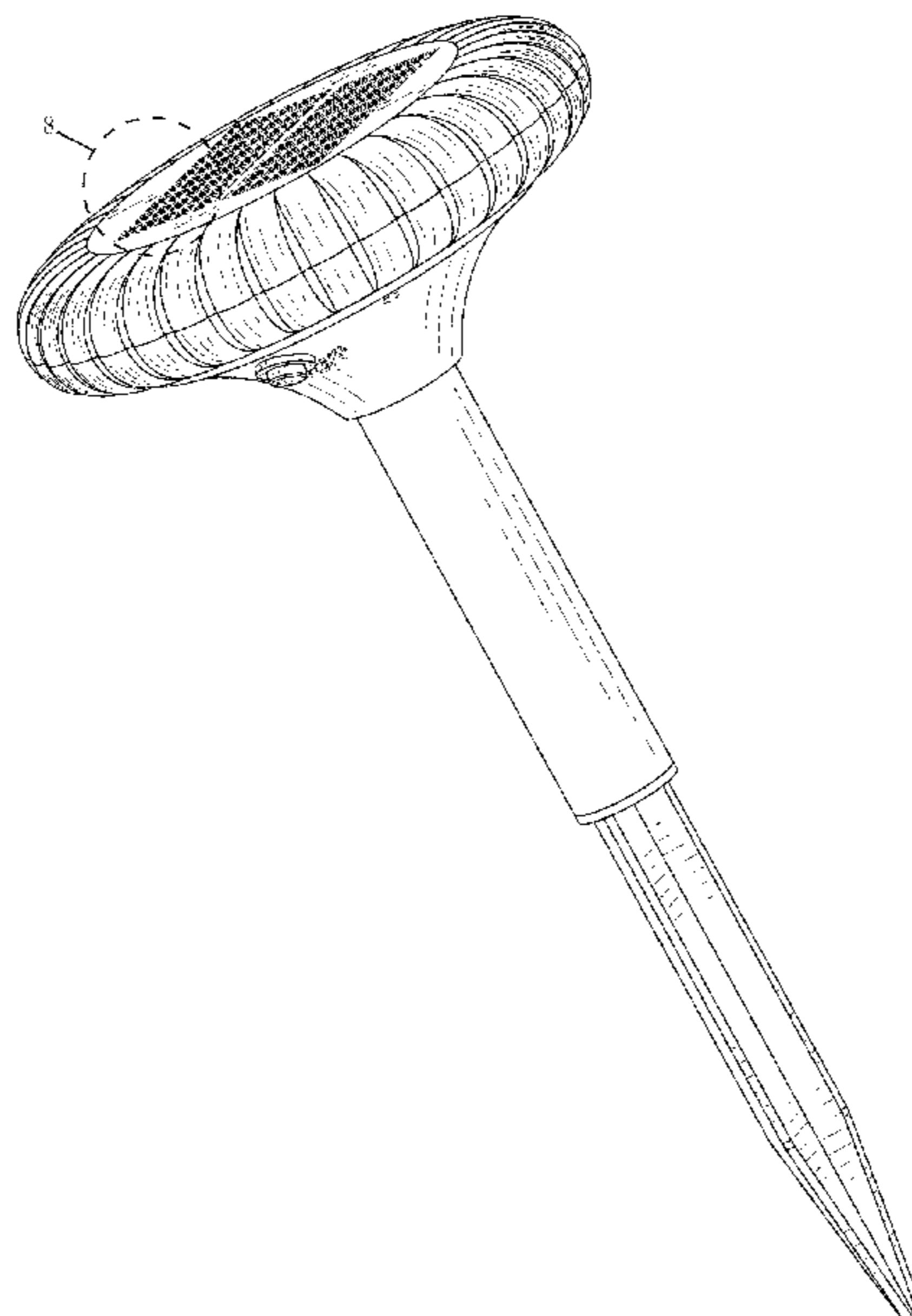
(57) **CLAIM**

The ornamental design for a solar garden decoration light, as shown and described.

**DESCRIPTION**

FIG. 1 is a perspective view of a solar garden decoration light showing my new design;  
FIG. 2 is a front view thereof;  
FIG. 3 is a rear view thereof;  
FIG. 4 is a left side view thereof;  
FIG. 5 is a right side view thereof;  
FIG. 6 is a top plan view thereof;  
FIG. 7 is a bottom plan view thereof; and,  
FIG. 8 is an enlarged fragmentary view taken from the circle 8 in FIG. 1.  
The evenly-broken lines where present illustrate portions of the solar garden decoration light that form no part of the claimed design.

**1 Claim, 8 Drawing Sheets**



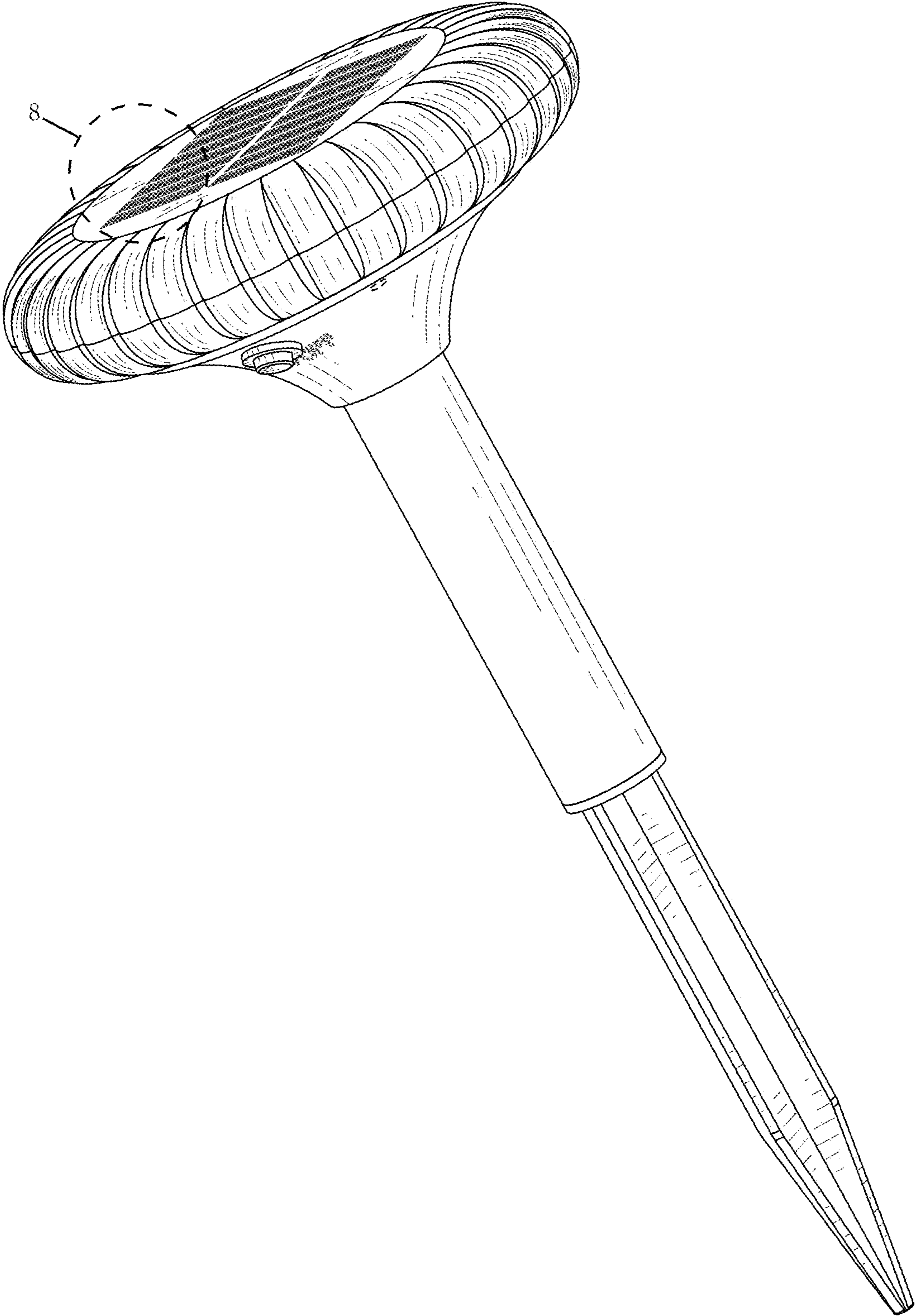


FIG.1

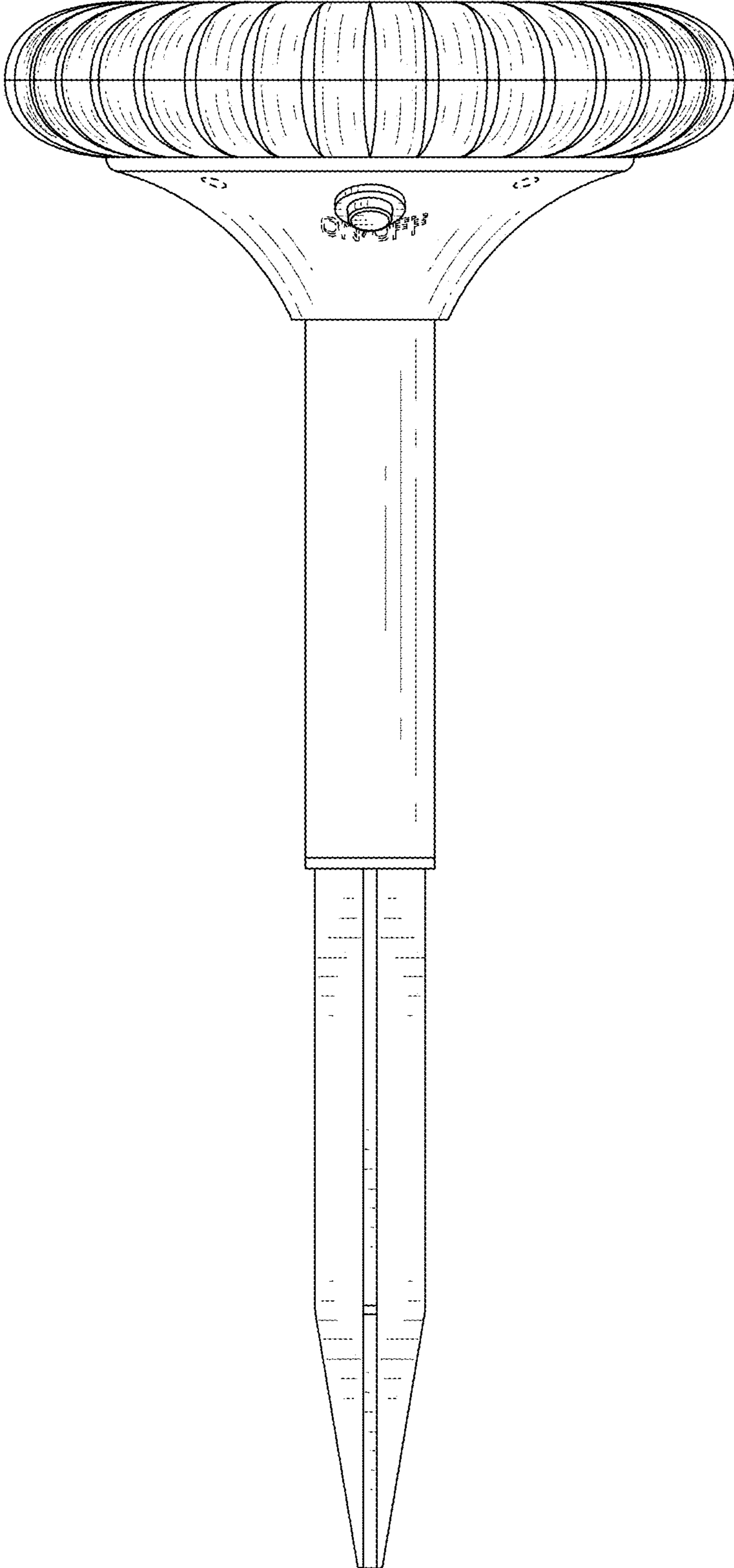


FIG.2

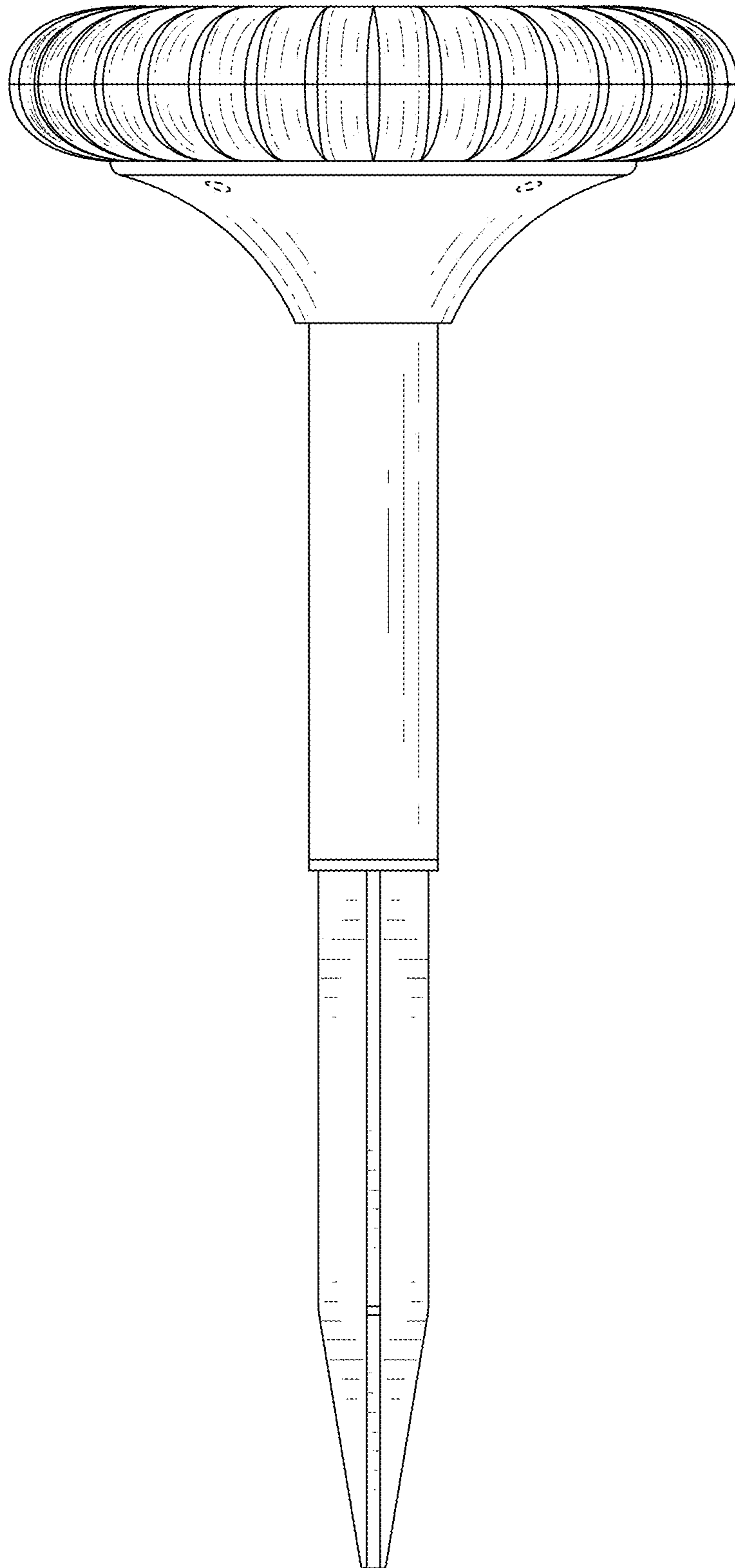


FIG.3

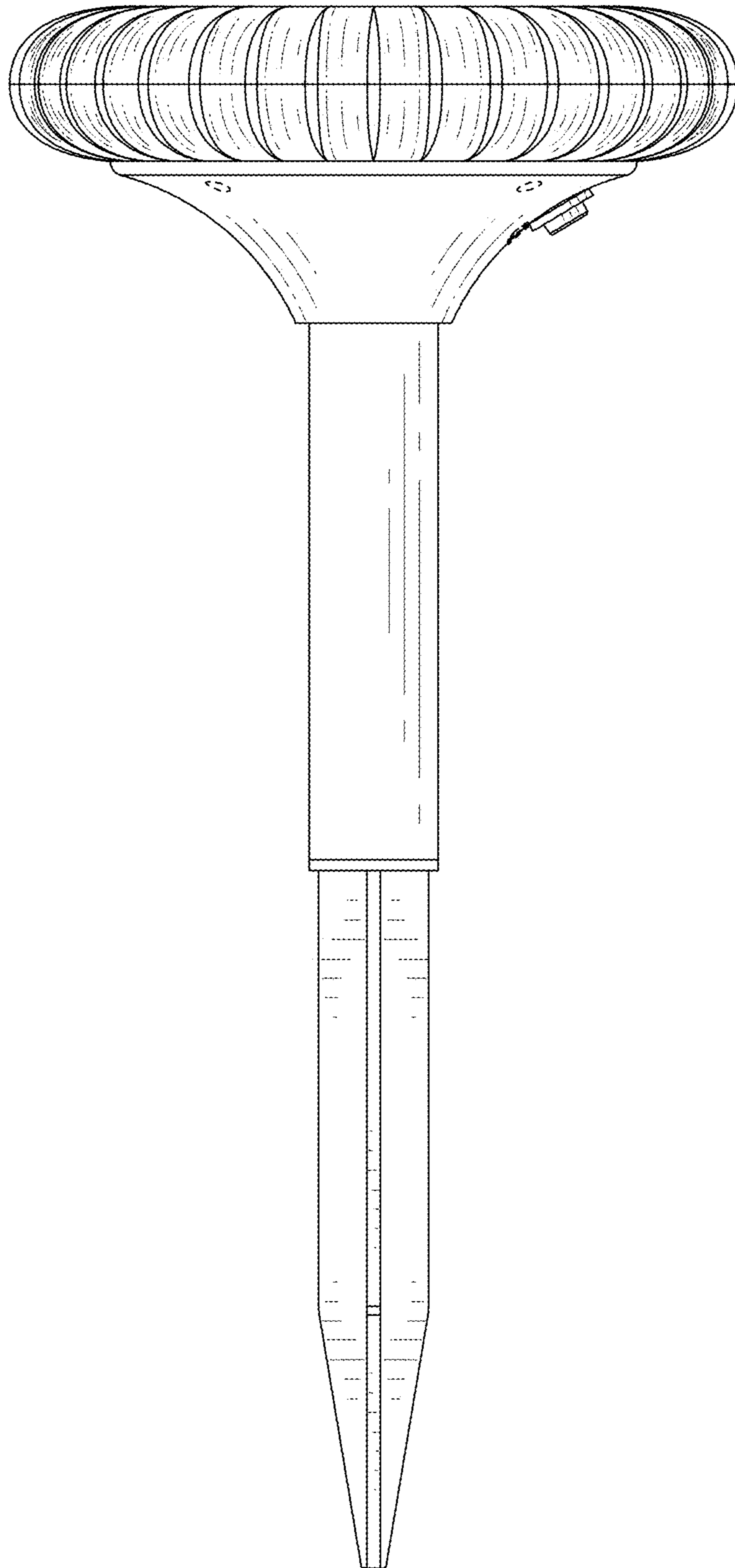


FIG.4

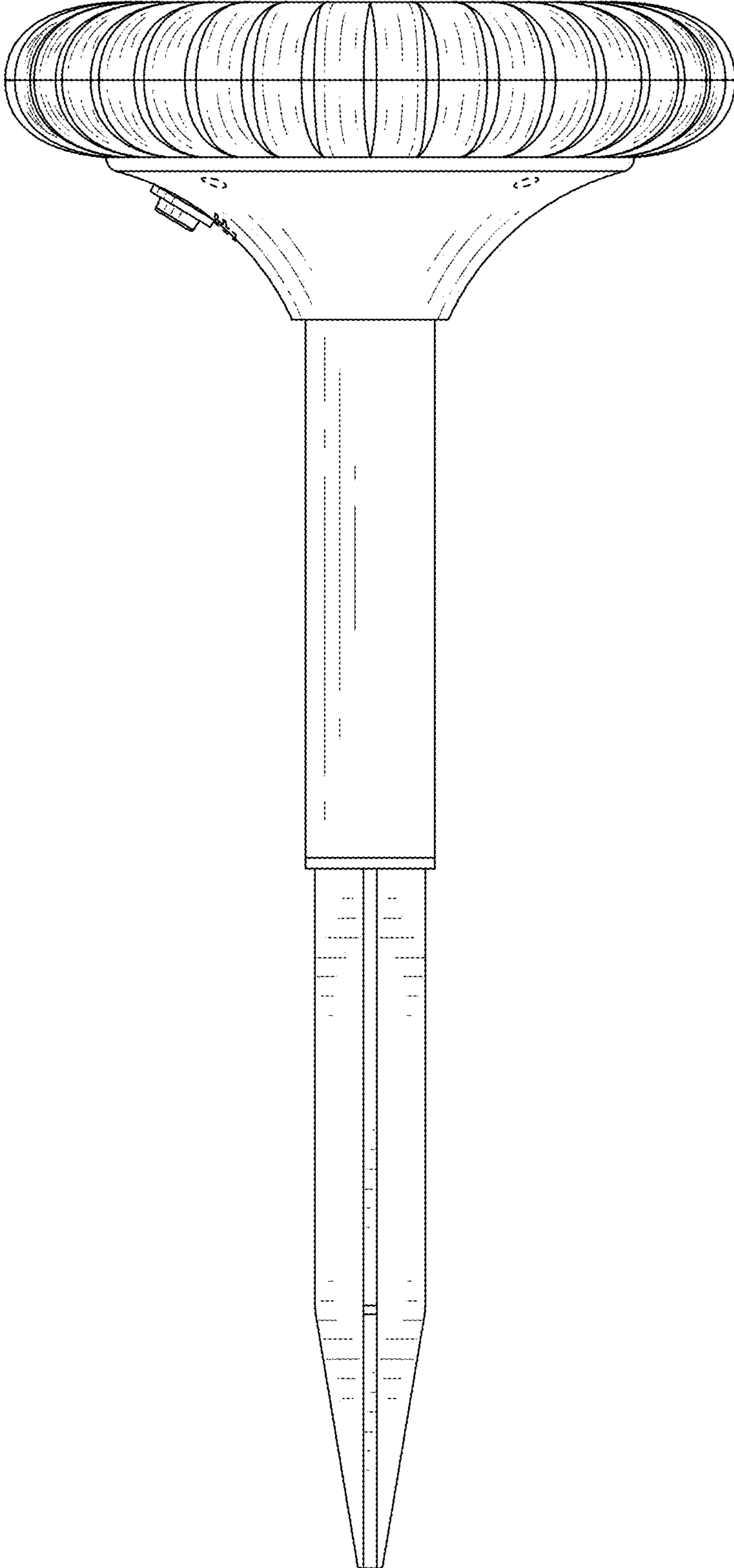


FIG.5

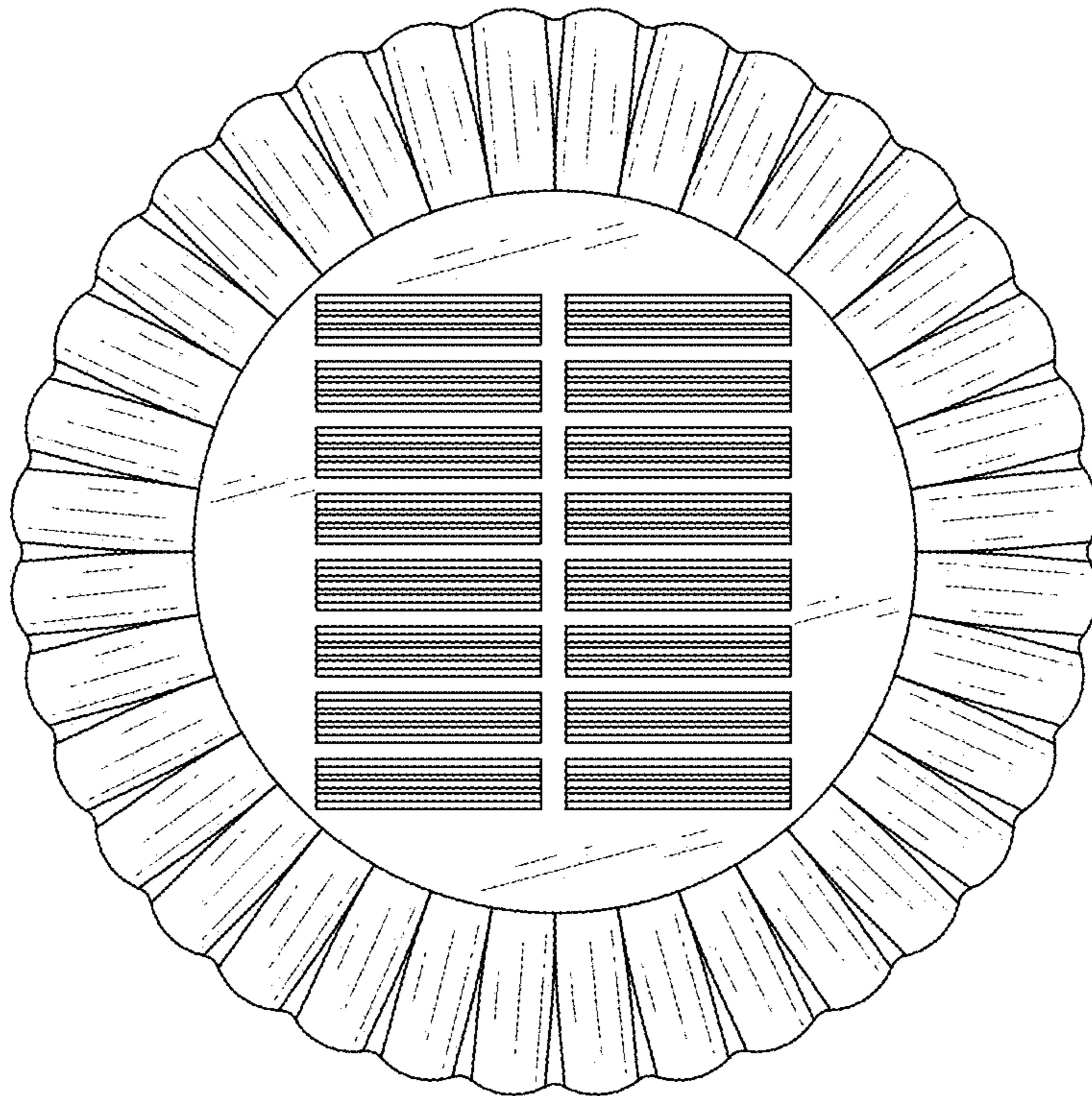


FIG.6

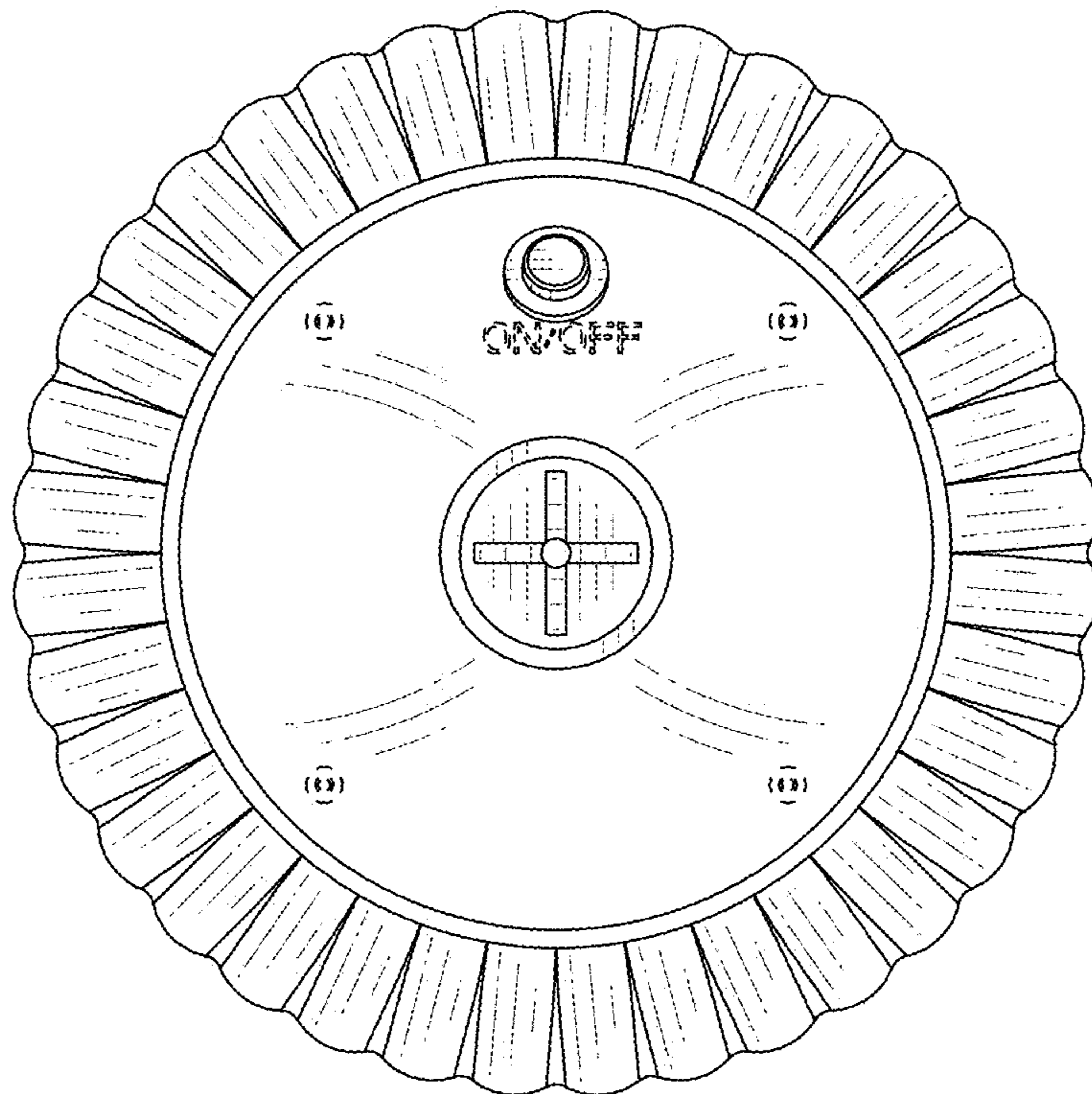


FIG.7



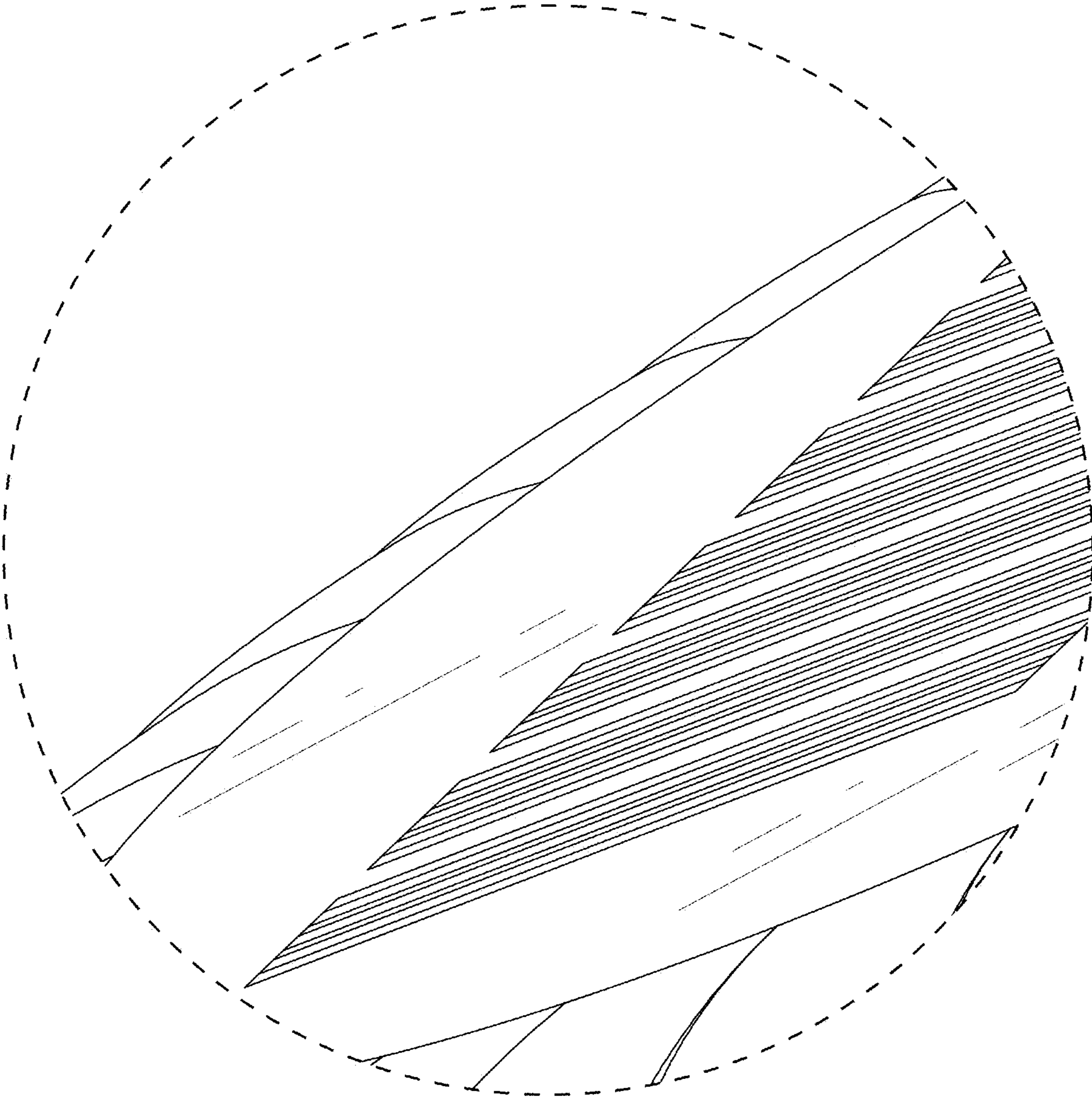


FIG.8