

US00D962516S

(12) **United States Design Patent** (10) **Patent No.:** **US D962,516 S**
Weddendorf et al. (45) **Date of Patent:** **** Aug. 30, 2022**

- (54) **SOLAR LIGHT FOR SIGNS**
- (71) Applicant: **Green Light Optics LLC**, Huntsville, AL (US)
- (72) Inventors: **Bruce Weddendorf**, Huntsville, AL (US); **Shawn Estes**, Huntsville, AL (US); **Benjamin Payment**, Huntsville, AL (US)
- (73) Assignee: **GREEN LIGHT OPTICS LLC**, Huntsville, AL (US)
- (**) Term: **15 Years**
- (21) Appl. No.: **29/715,039**
- (22) Filed: **Nov. 27, 2019**
- (51) **LOC (13) Cl.** **26-05**
- (52) **U.S. Cl.**
USPC **D26/67**
- (58) **Field of Classification Search**
USPC D26/24, 60, 61, 63, 65, 67, 68, 69, 72, D26/76, 80-82, 86, 90, 93, 102, 106-108, D26/131
CPC F21S 6/00; F21S 6/002; F21S 6/003; F21S 6/004; F21S 6/005; F21S 6/006; F21S 6/008; F21S 9/00; F21S 9/03; F21S 9/037; F21S 8/081; F21S 8/088; F21W 2131/109
See application file for complete search history.

- D675,361 S * 1/2013 Boyer D26/67
- D898,972 S * 10/2020 Pei D13/102
- D902,465 S * 11/2020 Harders D26/67
- D931,198 S * 9/2021 Liu D13/102
- 2006/0050528 A1* 3/2006 Lyons G09F 13/02 362/559
- 2021/0156534 A1* 5/2021 Weddendorf G09F 13/02

OTHER PUBLICATIONS

Security Yard Sign featuring Rechargeable Solar-Powered LED Lights (available online) Retrieved from the internet Apr. 21, 2022 from URL: <https://www.lorex.com/products/outdoor-security-yard-sign-with-built-in-bright-solar-powered-led-light>.*

* cited by examiner

Primary Examiner — Richard Kearney
(74) *Attorney, Agent, or Firm* — Angela Holt; Bradley Arant Boult Cummings LLP

(57) **CLAIM**

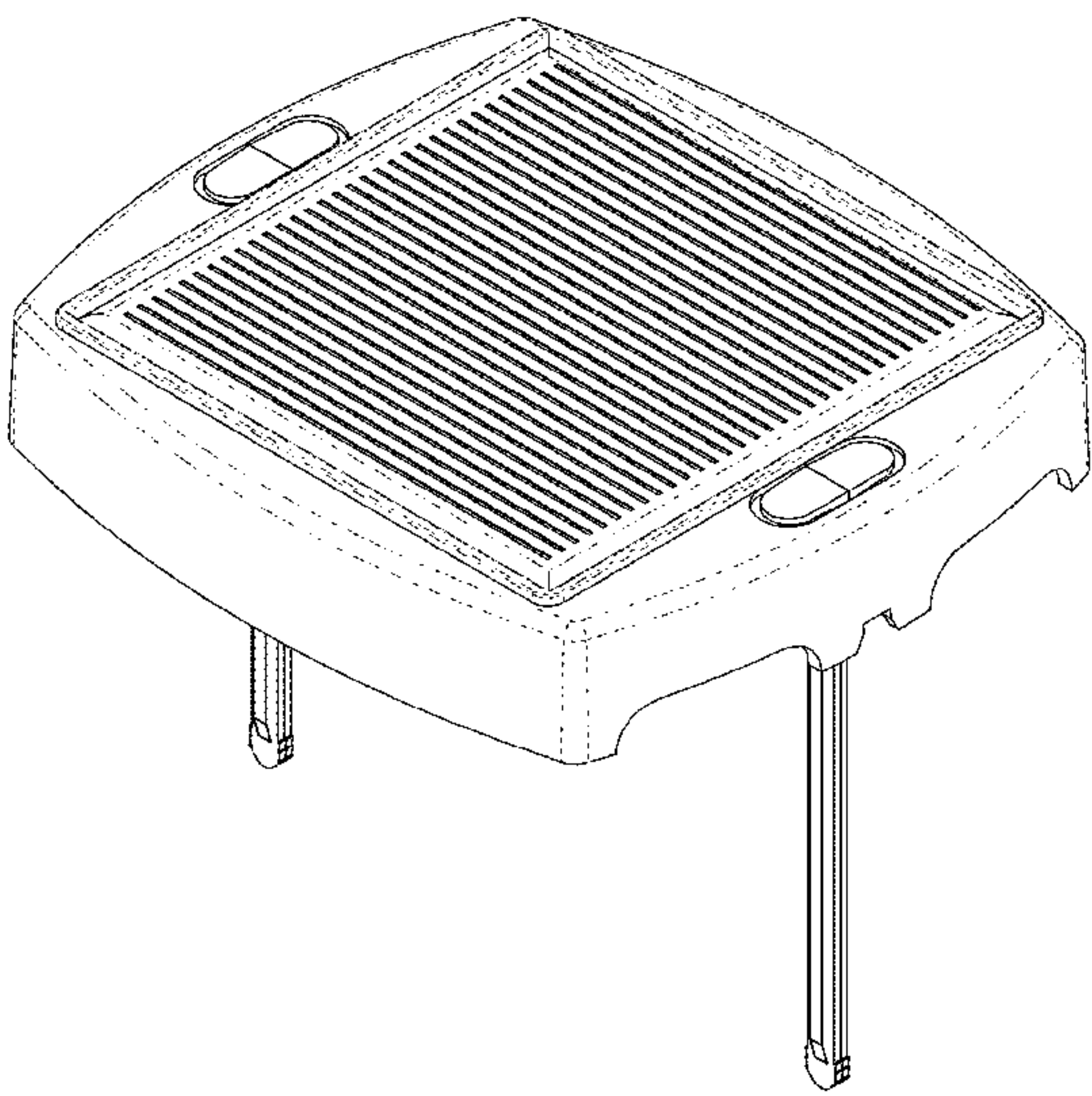
The ornamental design for a solar light for signs, as shown and described.

DESCRIPTION

FIG. 1 is a top perspective view of a solar light.
FIG. 2 is a top plan view of the solar light.
FIG. 3 is a front view of the solar light, the rear view being a mirror image thereof.
FIG. 4 is a left side view of the solar light, the right side view being a mirror image thereof.
FIG. 5 is a bottom plan view of the solar light.
FIG. 6 is a bottom perspective view of the solar light.
FIG. 7 is a top perspective view of the solar light installed on a sign; and,
FIG. 8 is a top perspective view of the solar light shown in conjunction with a partial sign.
The broken lines shown in the drawings illustrate a sign and form no part of the claimed design.

1 Claim, 5 Drawing Sheets

- (56) **References Cited**
U.S. PATENT DOCUMENTS
D204,793 S * 5/1966 Rodriguez D26/93
D246,933 S * 1/1978 Fabbri D26/109
4,660,131 A * 4/1987 Herst F21S 6/005 362/337
D309,789 S * 8/1990 Luce D26/68
D585,578 S * 1/2009 Levine D26/61
D613,442 S * 4/2010 Liang D26/67
7,748,863 B1 * 7/2010 Holman G09F 13/02 362/183



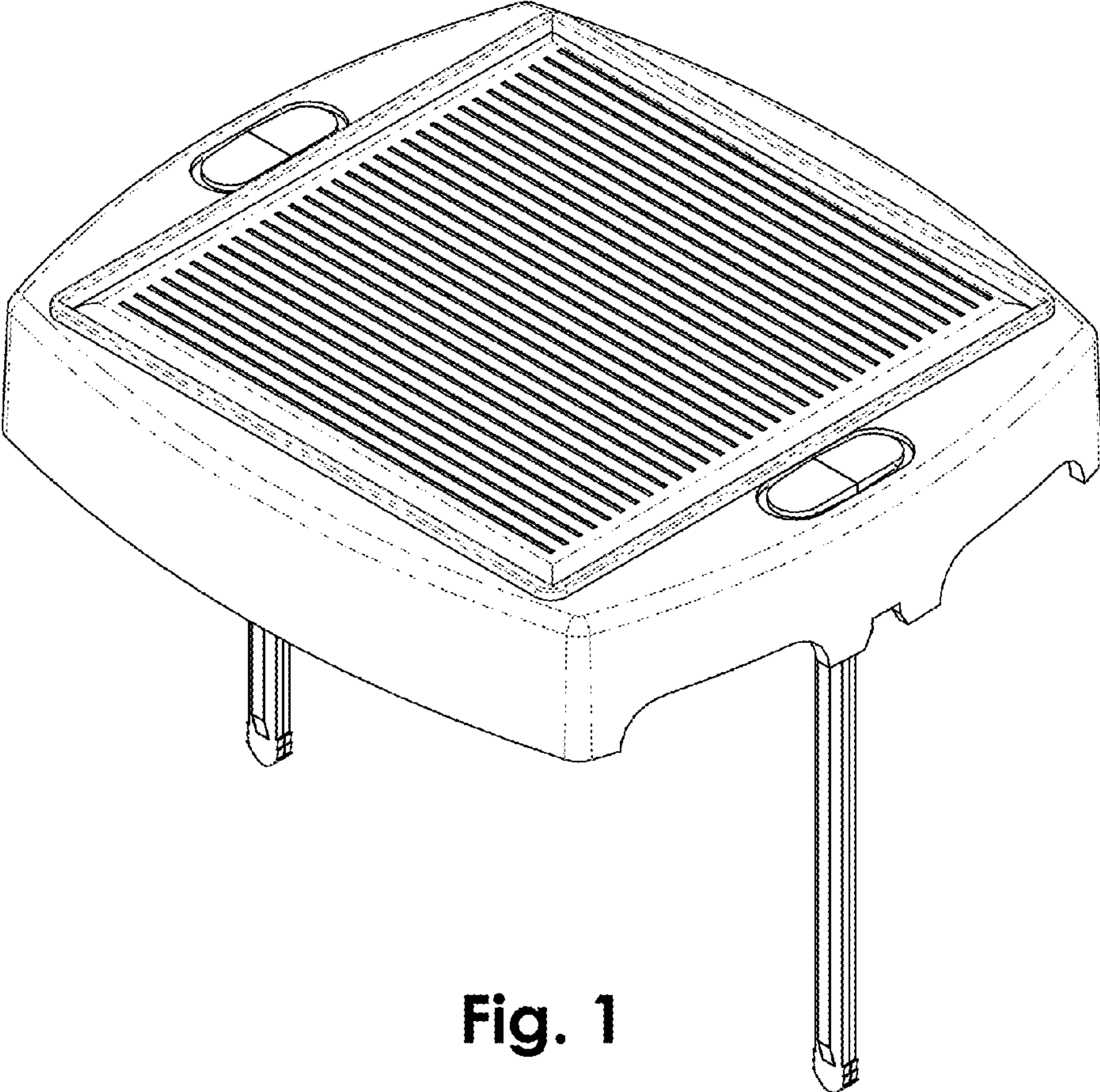


Fig. 1

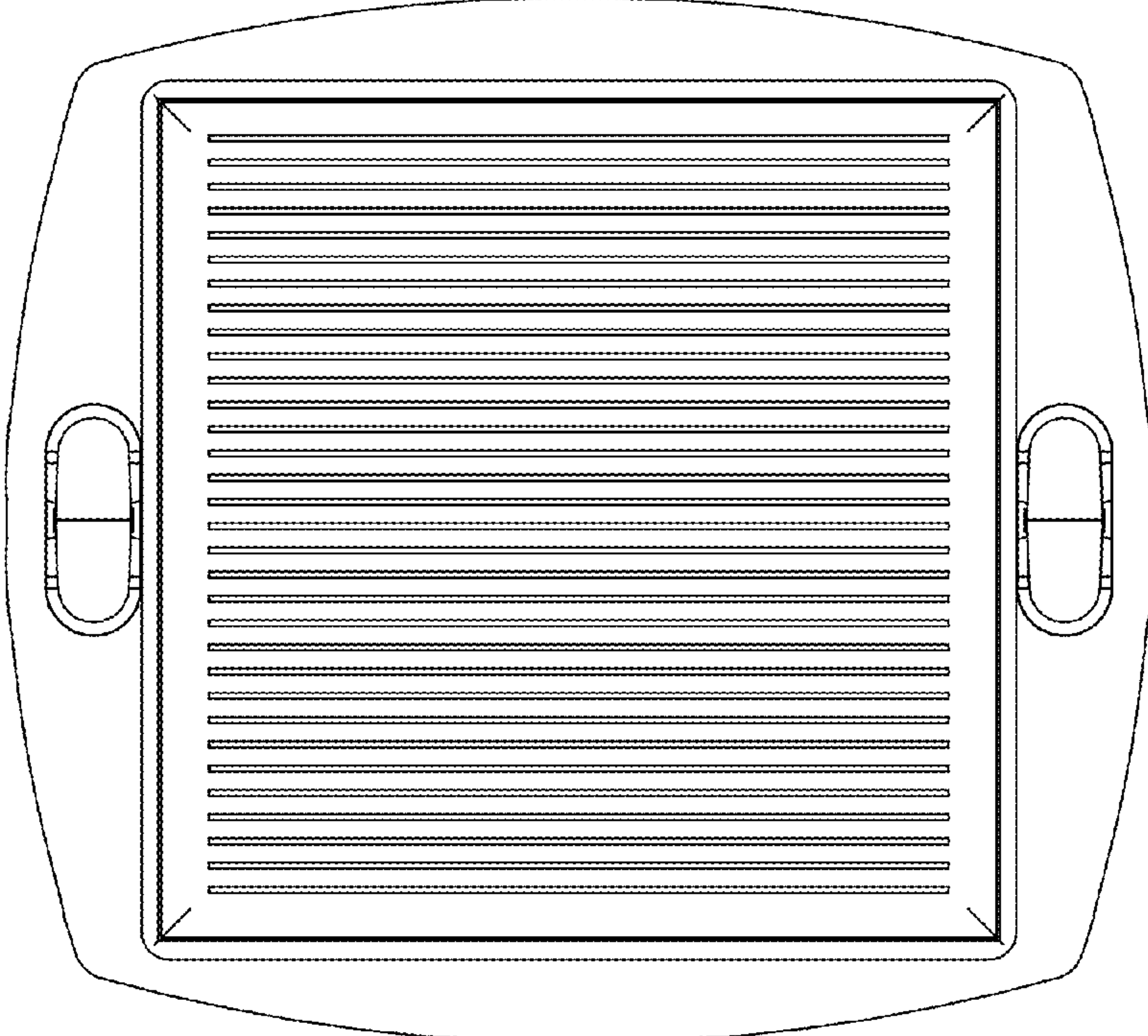


Fig. 2

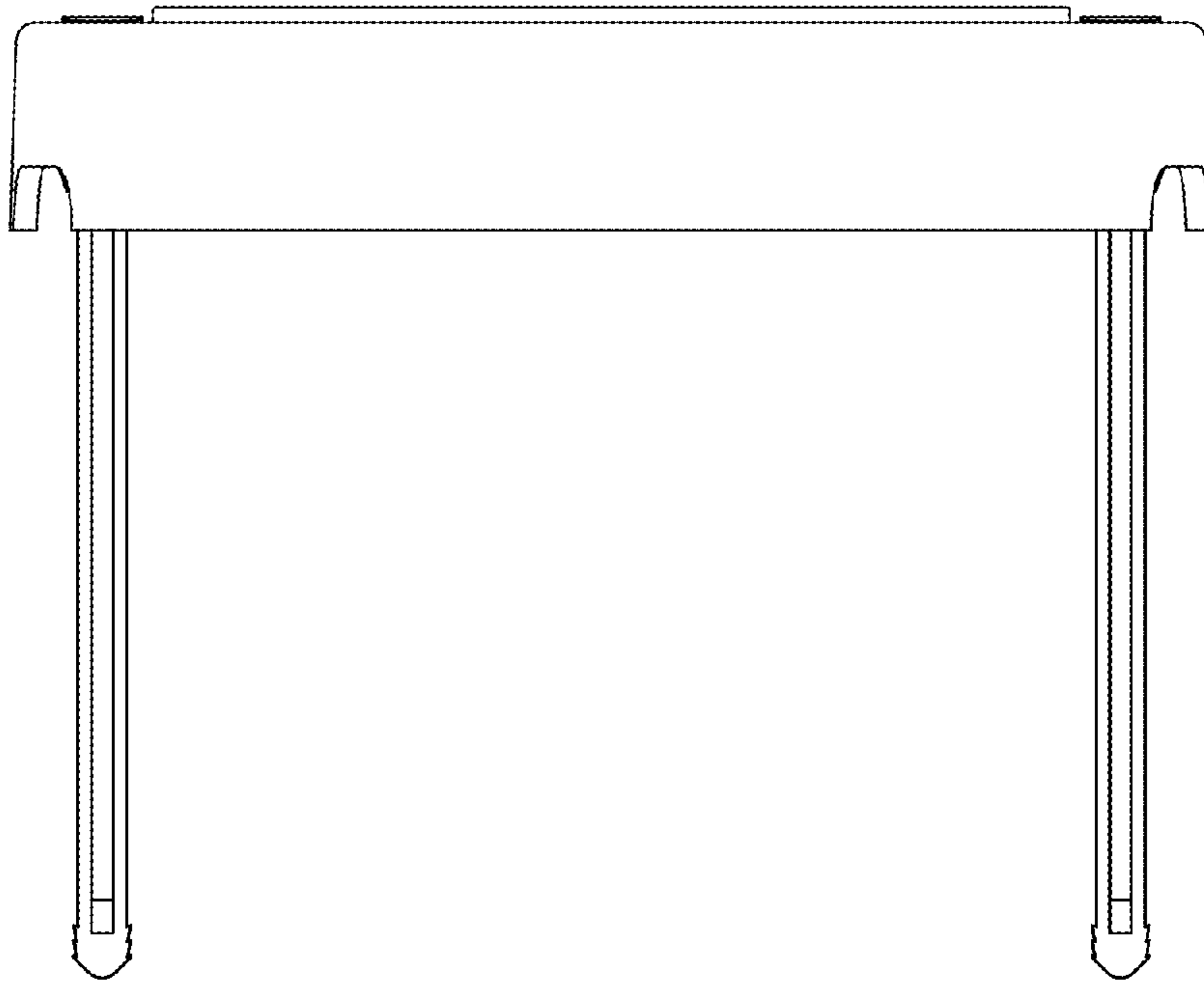


Fig. 3

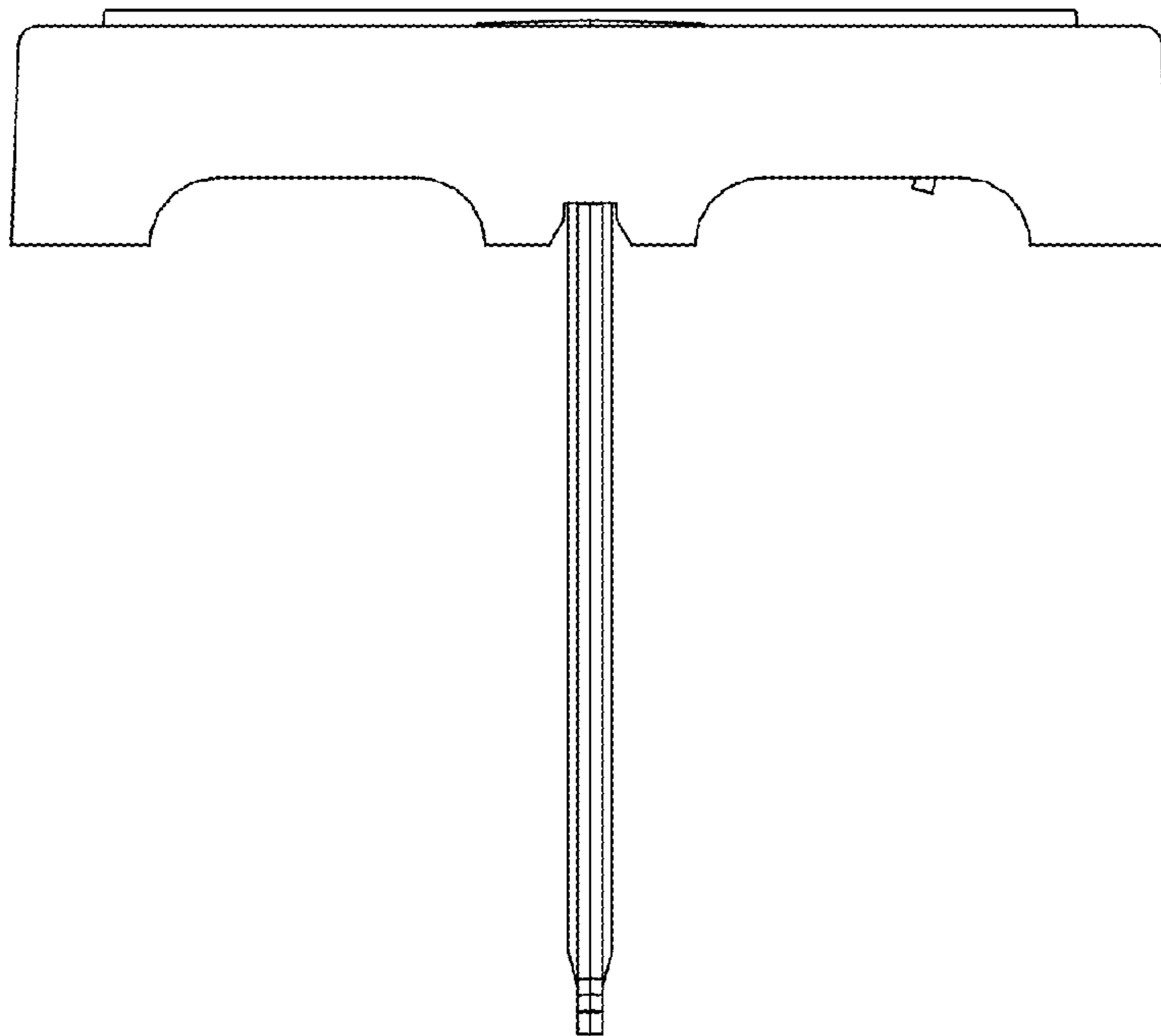


Fig. 4

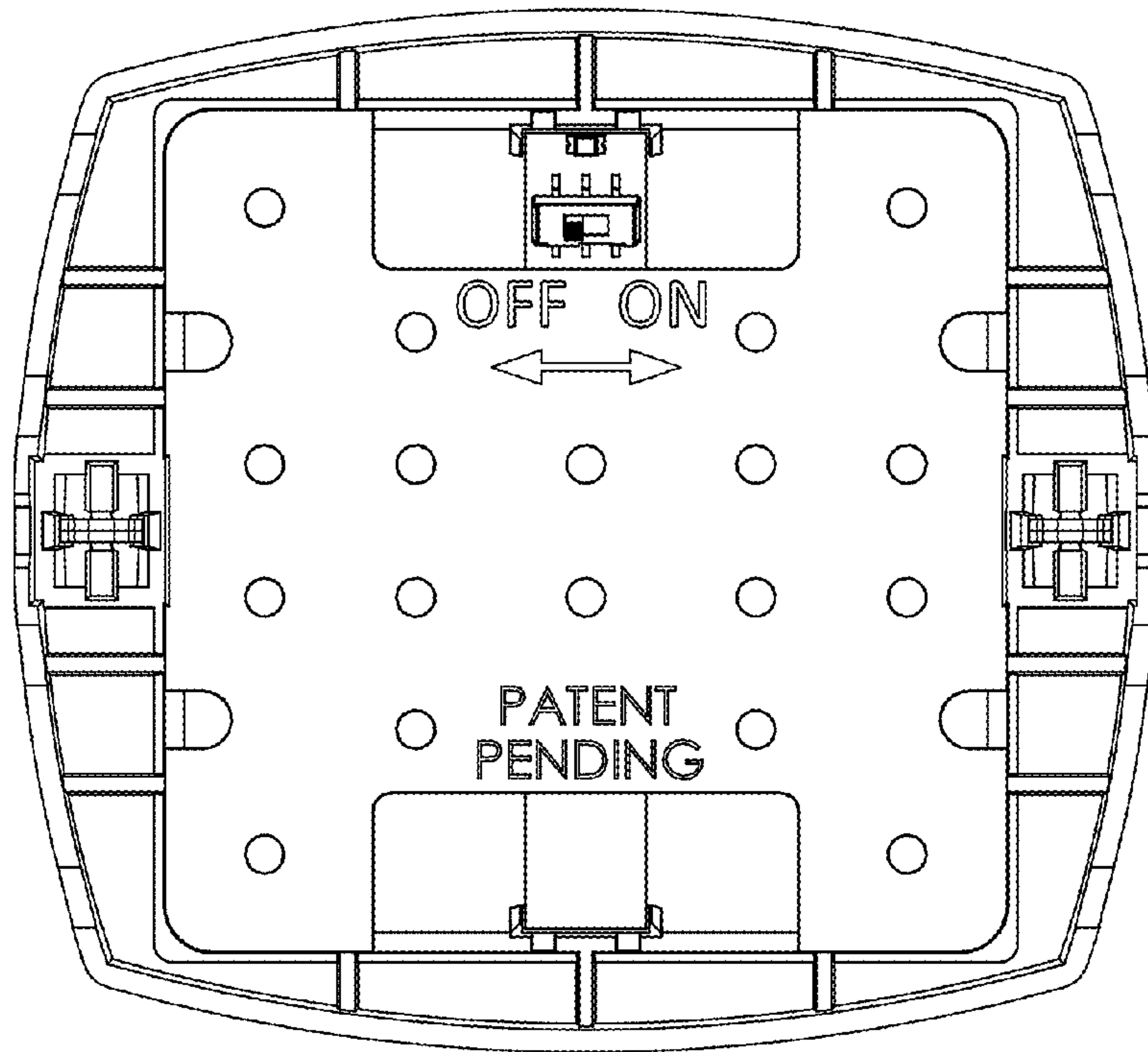


Fig. 5

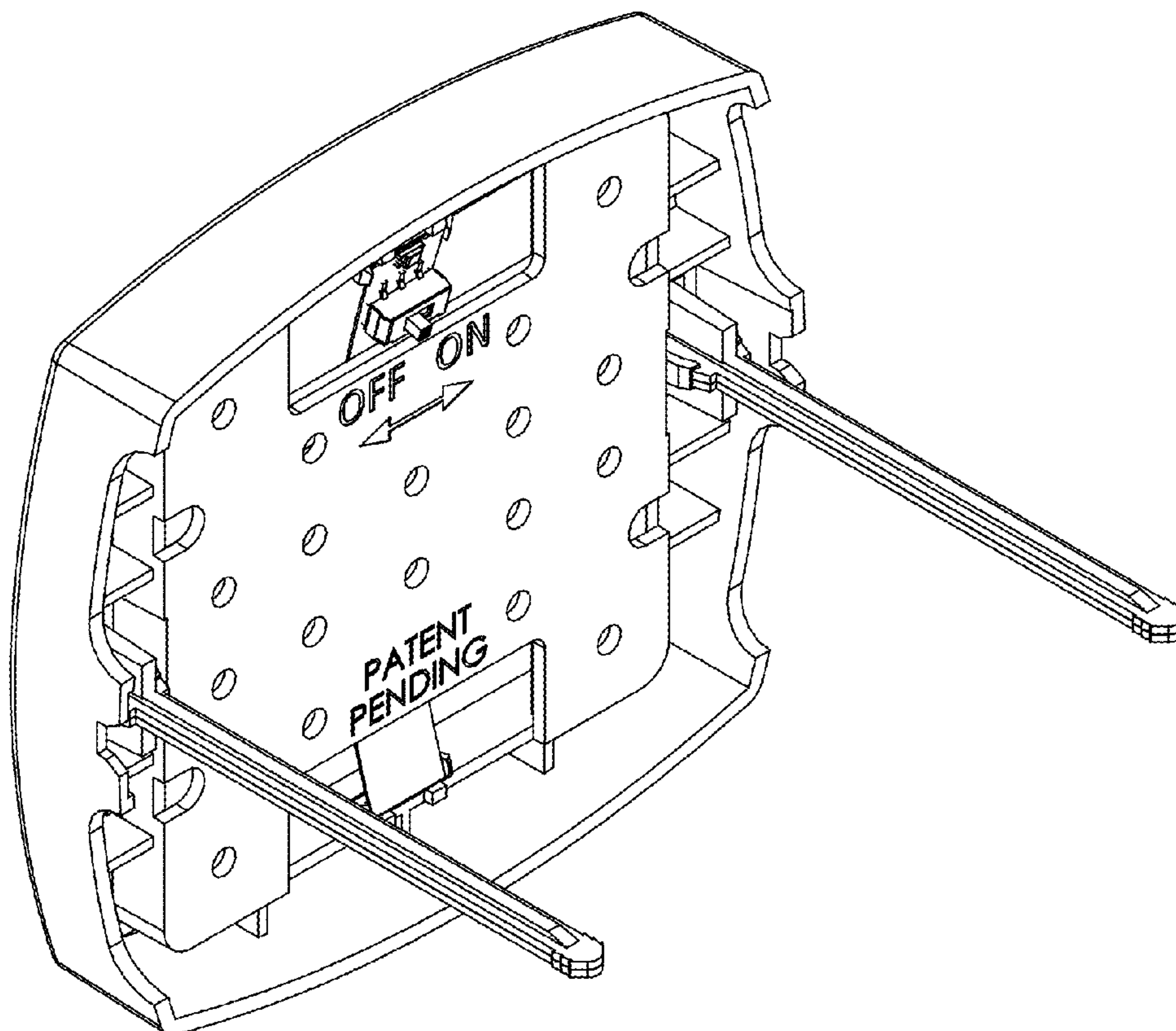


Fig. 6

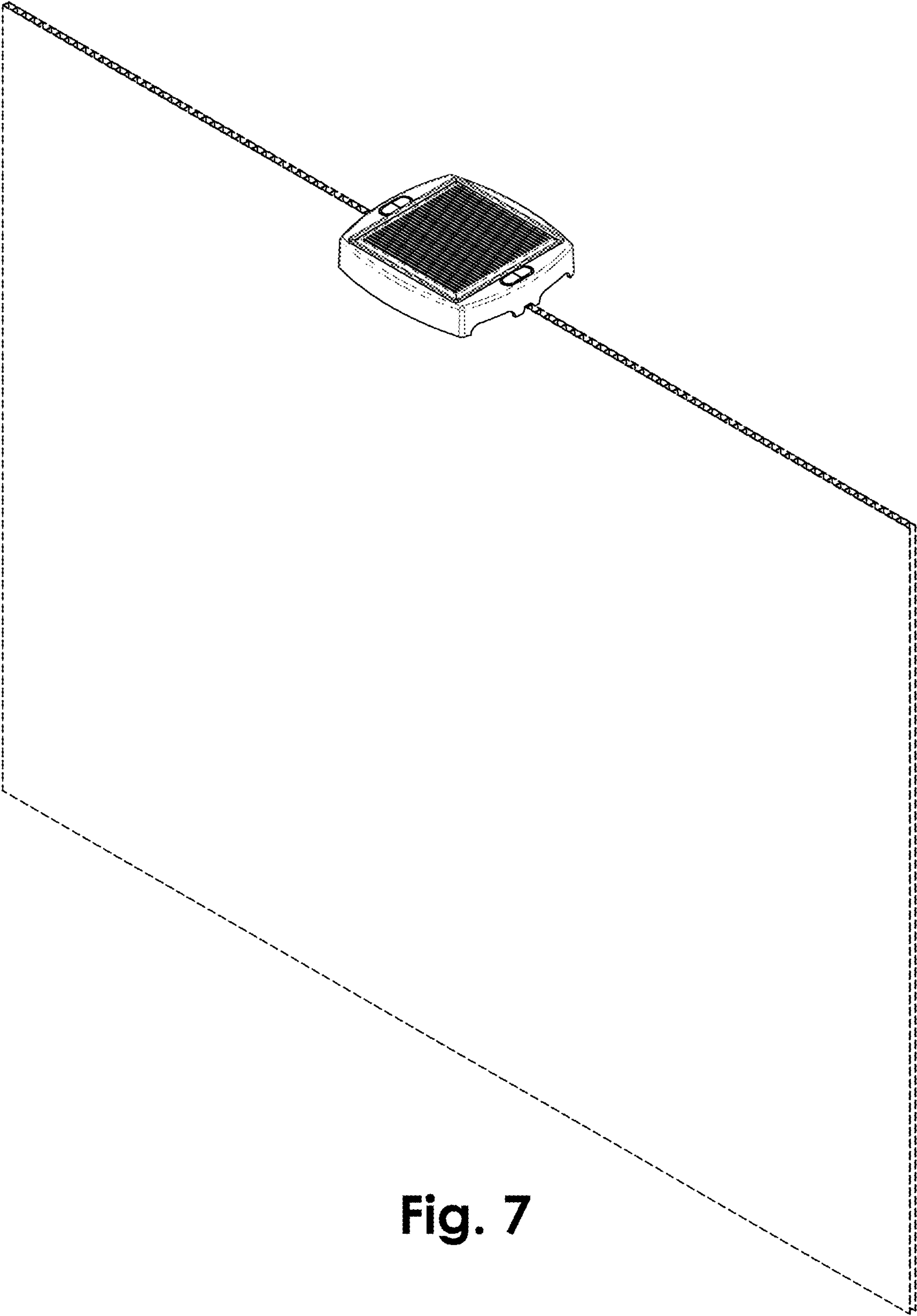


Fig. 7

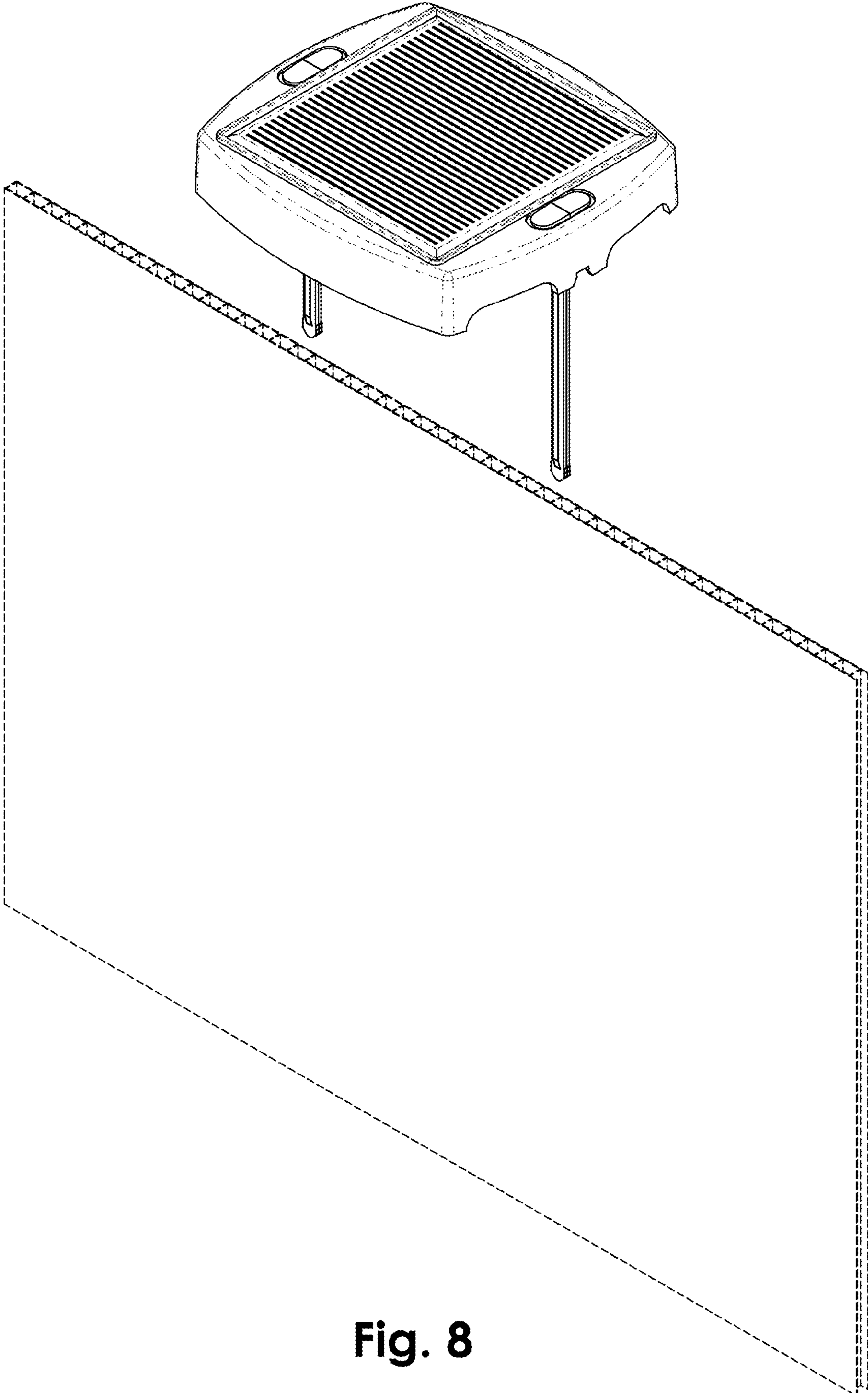


Fig. 8