



US00D962515S

(12) **United States Design Patent**  
**Huang**

(10) **Patent No.:** **US D962,515 S**

(45) **Date of Patent:** **\*\* Aug. 30, 2022**

(54) **LED PLANT GROW LIGHT**

(71) Applicant: **SHENZHEN HONDO LIGHTING TECHNOLOGY CO., LTD.**, Shenzhen (CN)

(72) Inventor: **Juanjuan Huang**, Shenzhen (CN)

(\*\*) Term: **15 Years**

(21) Appl. No.: **29/776,322**

(22) Filed: **Mar. 29, 2021**

(51) **LOC (13) Cl.** ..... **26-05**

(52) **U.S. Cl.**  
USPC ..... **D26/60**

(58) **Field of Classification Search**  
USPC ..... D26/24, 25, 60, 61, 63, 93, 102, 106  
CPC ..... F21L 2/00; F21L 4/00; F21L 4/02; F21L 4/025; F21L 4/027; F21L 14/00; F21S 2/00; F21S 8/03; F21S 8/033; F21S 6/00; F21S 6/002; F21S 8/036; F21S 8/037; F21S 8/00; F21S 8/006; F21S 8/026; H01K 7/00; H01K 7/02; A01G 7/045  
See application file for complete search history.

(56) **References Cited**

**U.S. PATENT DOCUMENTS**

D291,359 S	8/1987	Zeller	
D322,681 S *	12/1991	Yuen	D26/38
D870,346 S	12/2019	Deng	
D874,701 S *	2/2020	Hu	D26/60
D878,654 S *	3/2020	Lin	D26/60
D890,399 S *	7/2020	Su	D26/60
D903,174 S	11/2020	Chen	
D908,267 S *	1/2021	Tang	D26/102
D910,898 S	2/2021	Chen et al.	
D919,874 S *	5/2021	Tang	D26/106
D921,255 S *	6/2021	Jia	D26/60
D921,278 S *	6/2021	Tang	F21S 8/033 D26/102

D925,800 S *	7/2021	He	F21S 43/14 D26/60
D929,022 S *	8/2021	Tang	D26/102
D939,135 S *	12/2021	Lai	D26/60
2008/0192476 A1 *	8/2008	Hiratsuka	F21S 8/033 362/285
2019/0366498 A1 *	12/2019	Wang	F21S 43/14

**FOREIGN PATENT DOCUMENTS**

CN 202030794059.9 \* 4/2021

**OTHER PUBLICATIONS**

Amazon, "Buteny Grow Lights", first available Nov. 27, 2019. (<https://www.amazon.com/Lights-Plant-Indoor-Plants-Spectrum/dp/B08237VJ5W?th=1>) (Year: 2019).\*

(Continued)

*Primary Examiner* — Lauren D McVey

*Assistant Examiner* — Justin A Johnson

(74) *Attorney, Agent, or Firm* — Rumit Ranjit Kanakia

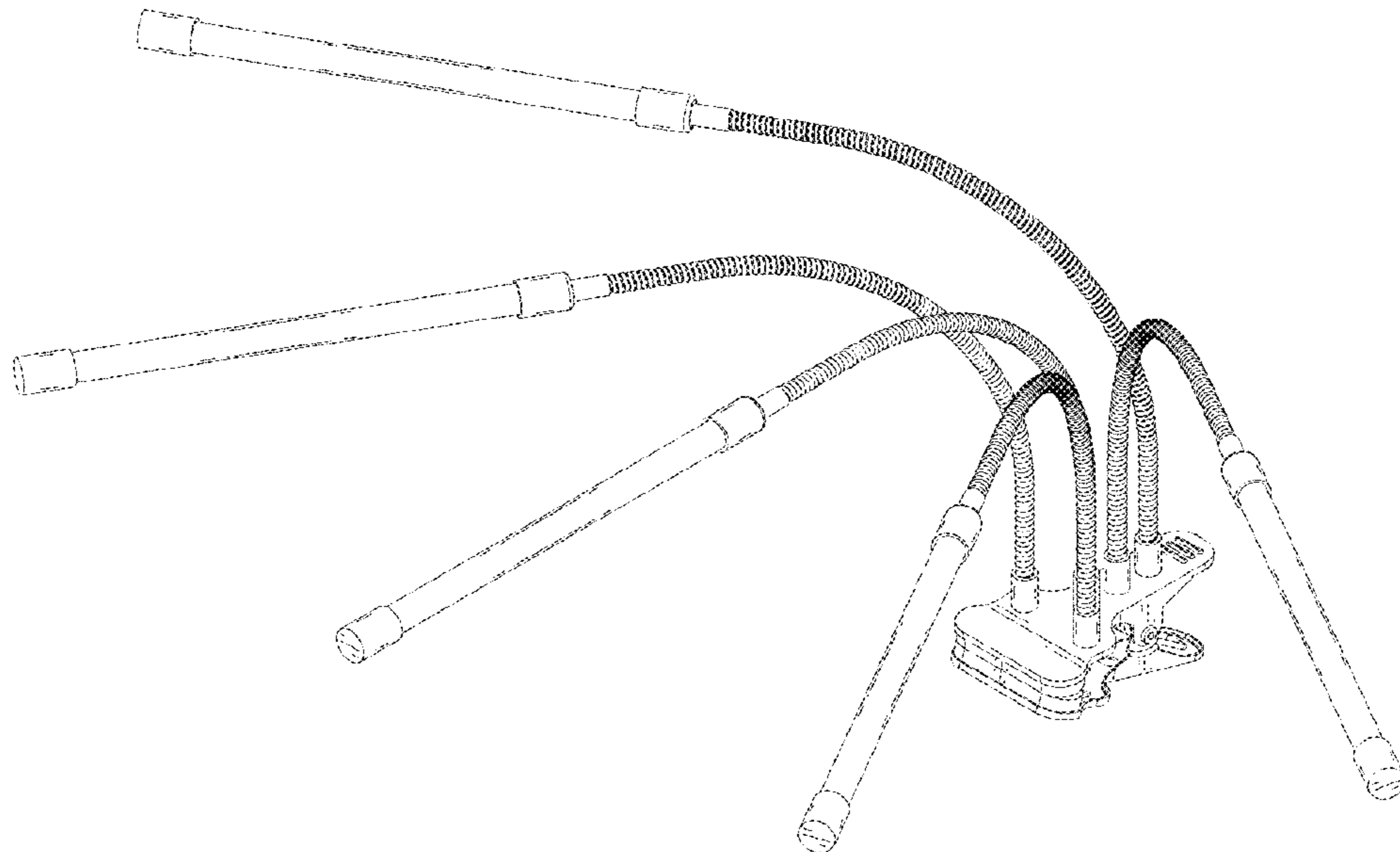
(57) **CLAIM**

The ornamental design for an LED plant grow light, as shown and described.

**DESCRIPTION**

FIG. 1 is a front, right side, top perspective view of an LED plant grow light showing my new design; FIG. 2 is a front elevational view thereof; FIG. 3 is a rear elevational view thereof; FIG. 4 is a left side elevational view thereof; FIG. 5 is a right side elevational view thereof; FIG. 6 is a top plan view thereof; and, FIG. 7 is a bottom plan view thereof. The broken lines depict portions of the LED plant grow light that form no part of the claimed design.

**1 Claim, 7 Drawing Sheets**



(56)

**References Cited**

OTHER PUBLICATIONS

Amazon, "Garpsen Grow Lights for Indoor Plants", first available Apr. 13, 2021. (<https://www.amazon.com/dp/B092DJJW49/>) (Year: 2021).\*

Amazon, "KindleTheFire Grow Lights", first available Mar. 15, 2021. (<https://www.amazon.com/dp/B08YYLN287/>) (Year: 2021).\*

Amazon, "Buteny Grow Lighs 5 Heads", first available Apr. 8, 2021. (<https://www.amazon.com/Lights-Plant-Indoor-Plants-Spectrum/dp/B09228Z5SF?th=1>) (Year: 2021).\*

\* cited by examiner

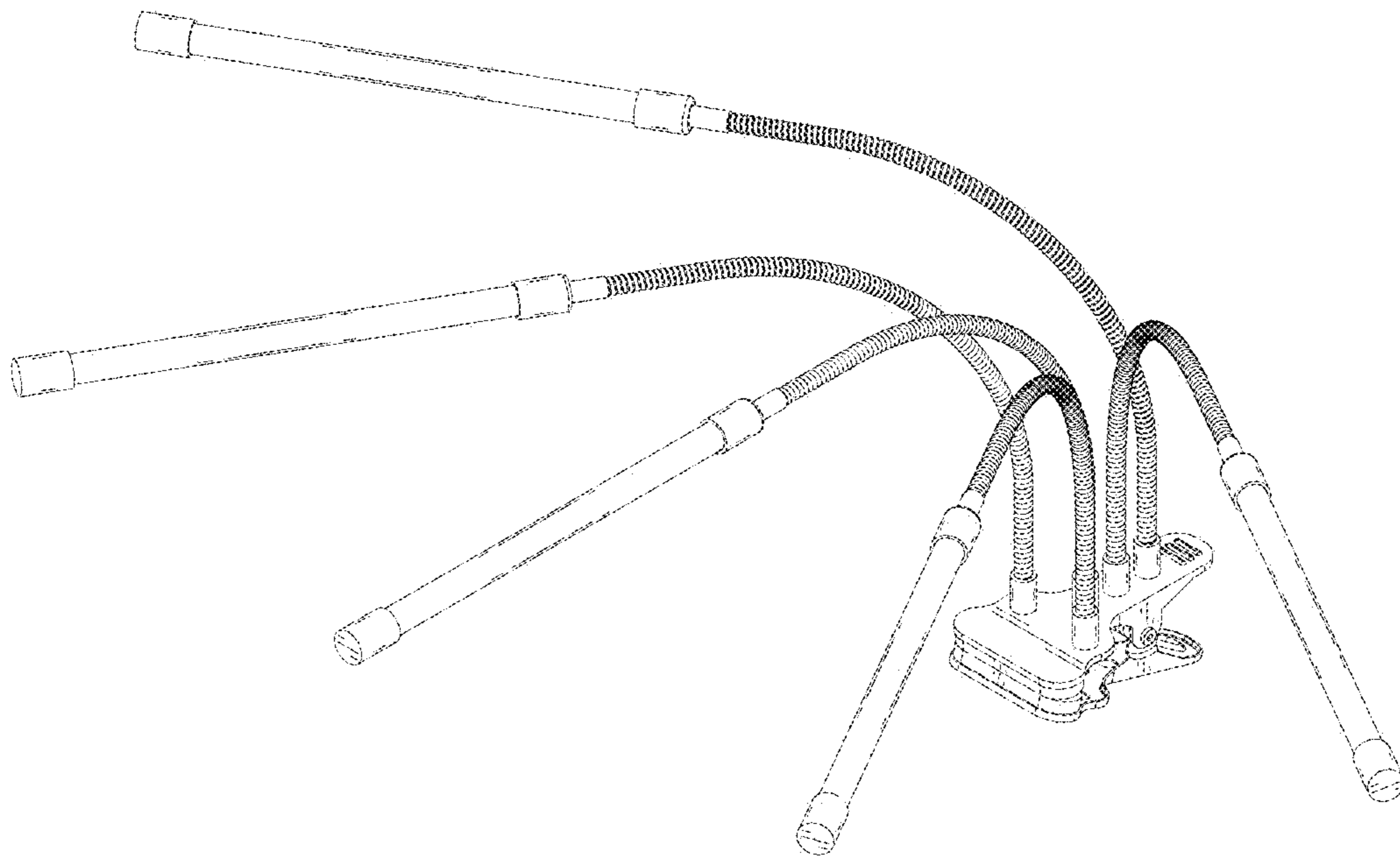


FIG.1

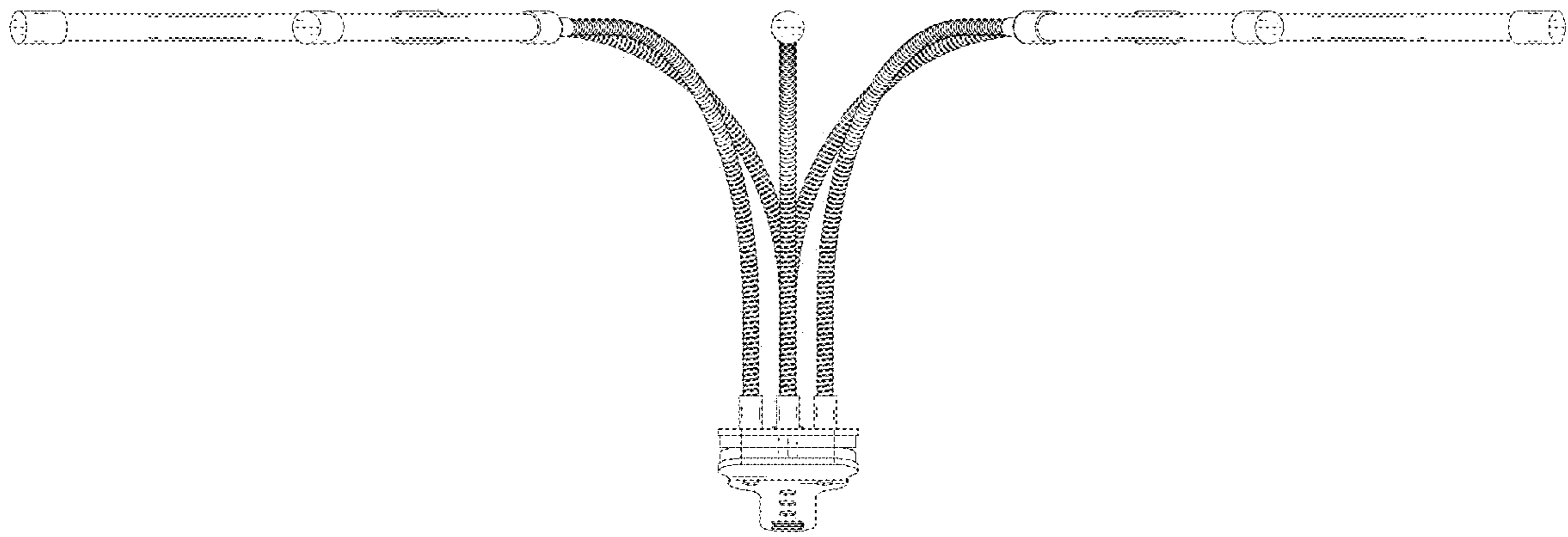


FIG. 2

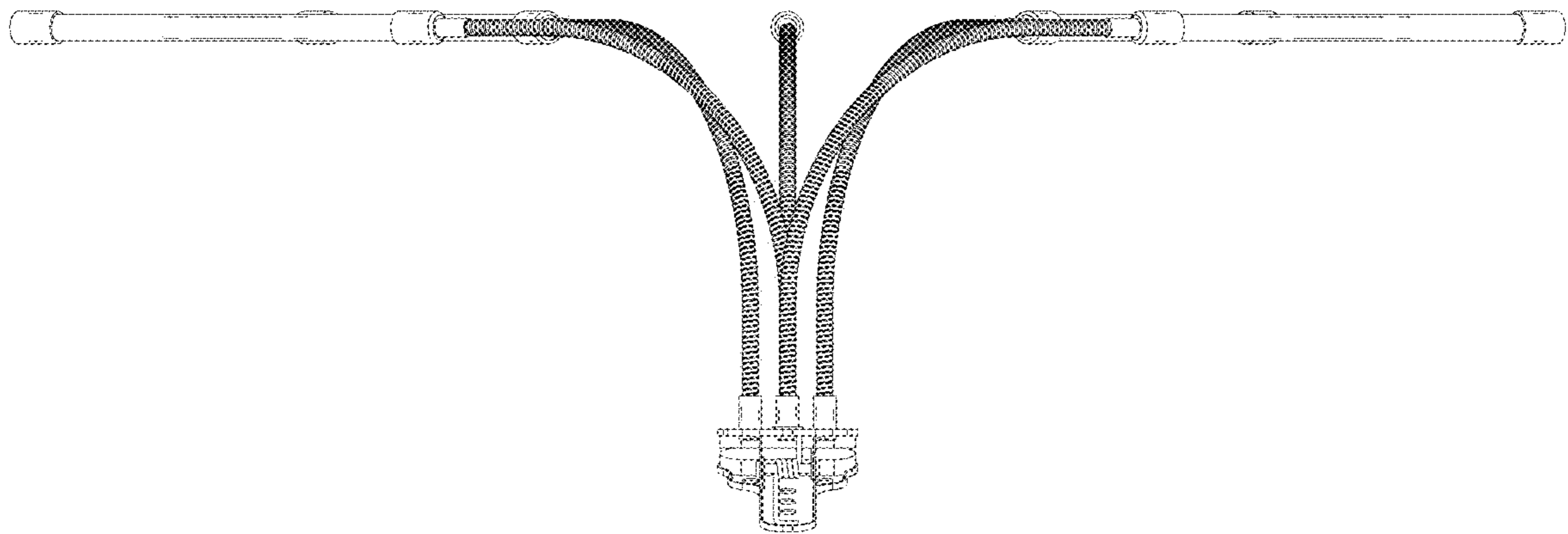


FIG. 3

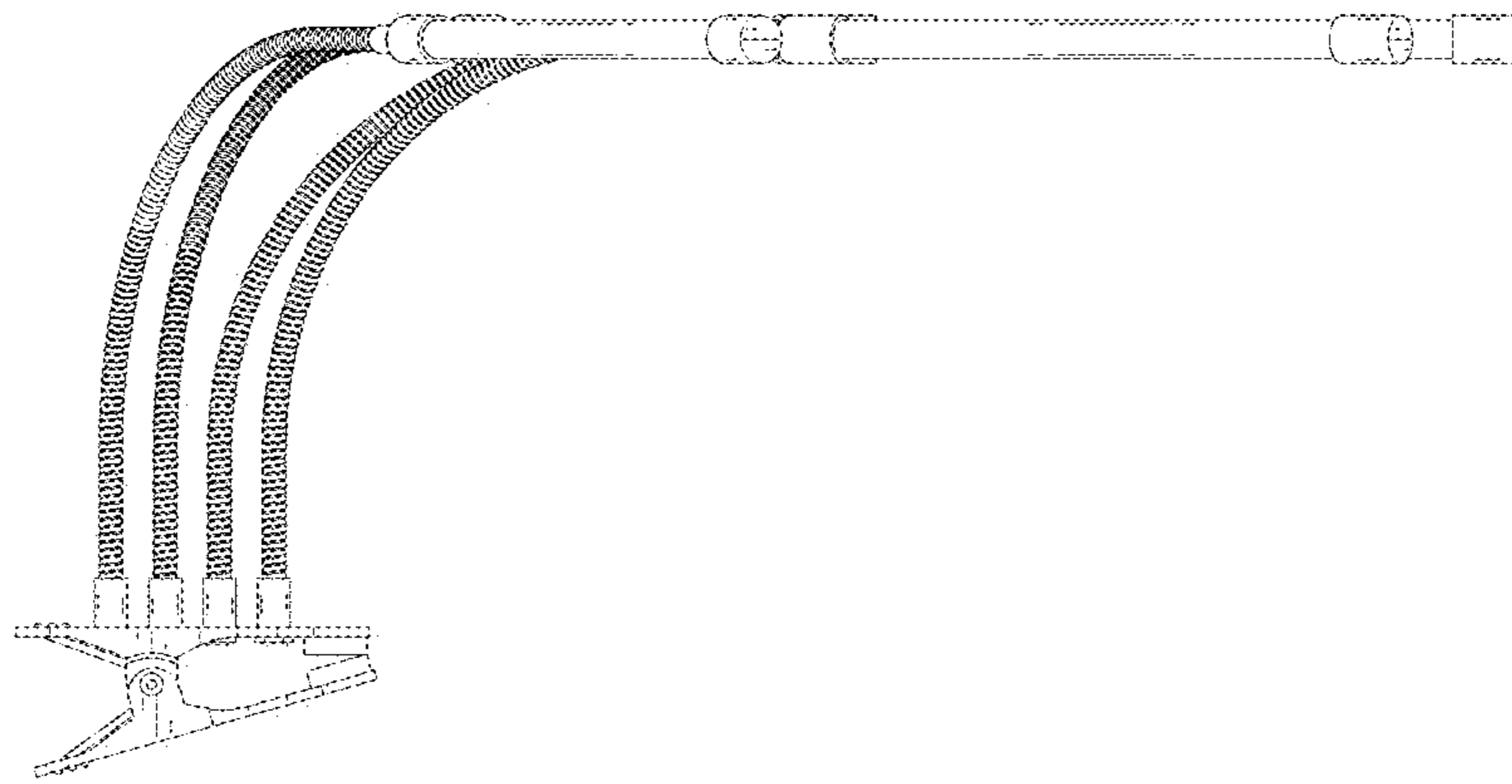


FIG.4

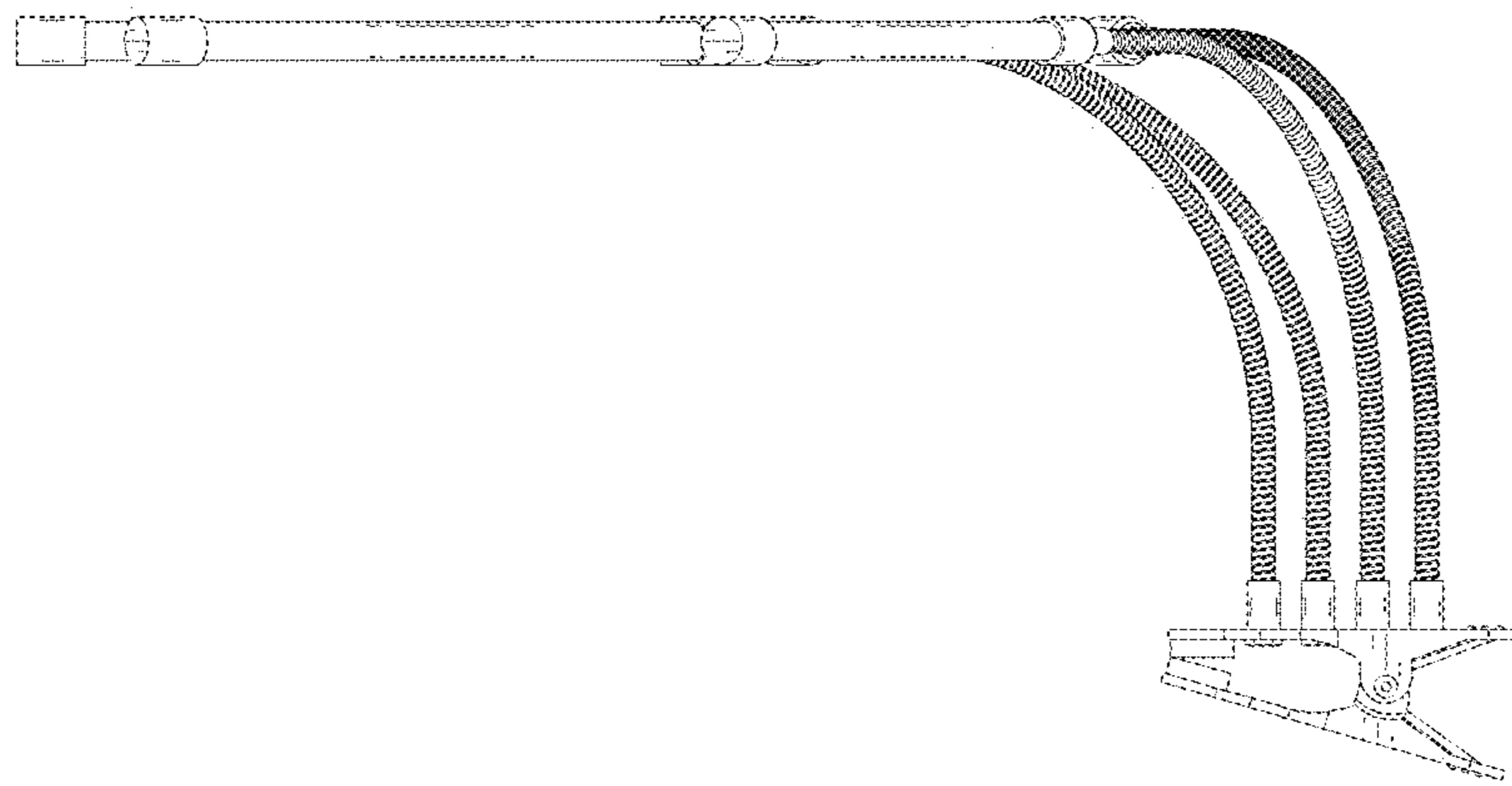


FIG.5

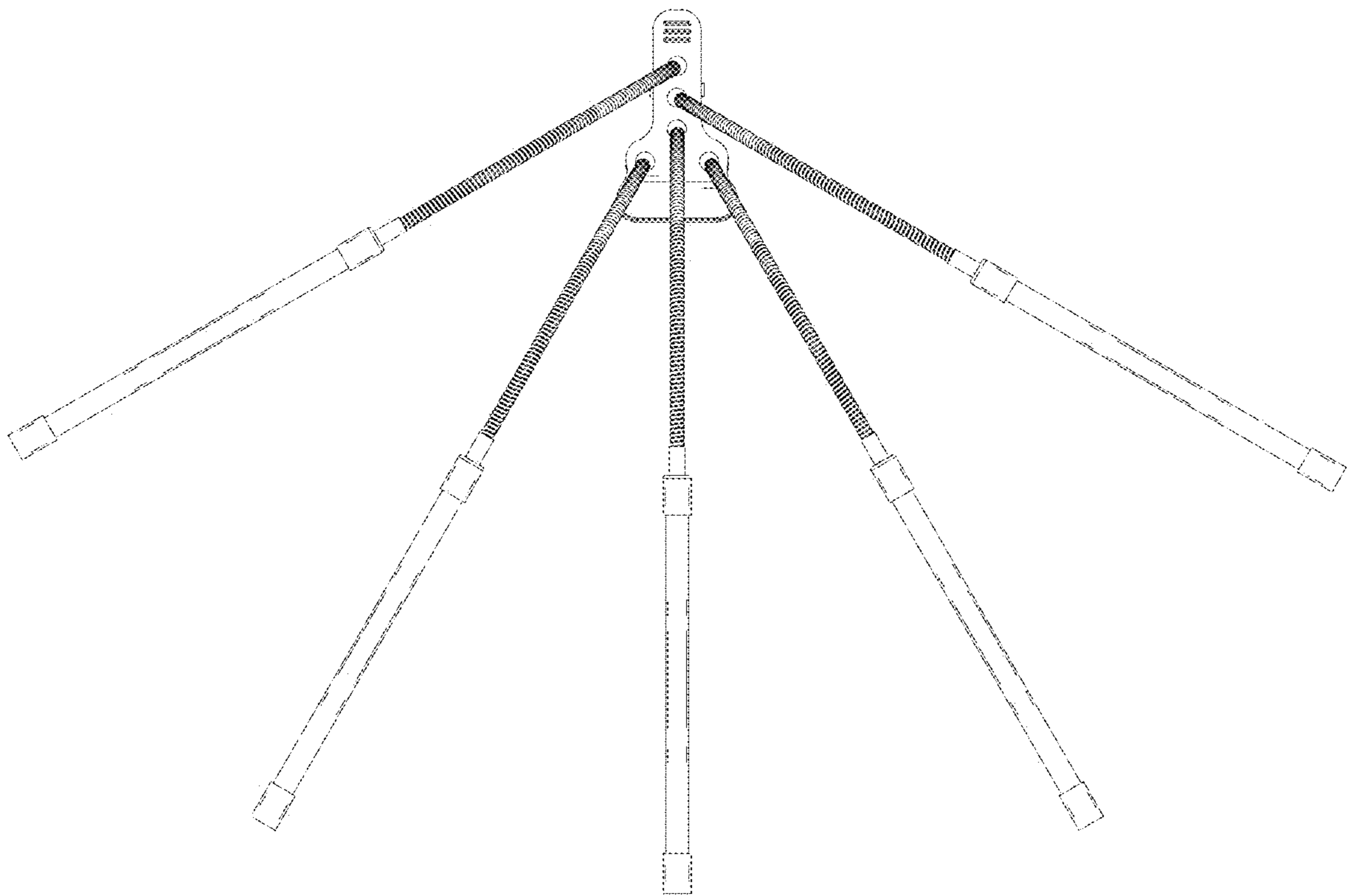


FIG.6



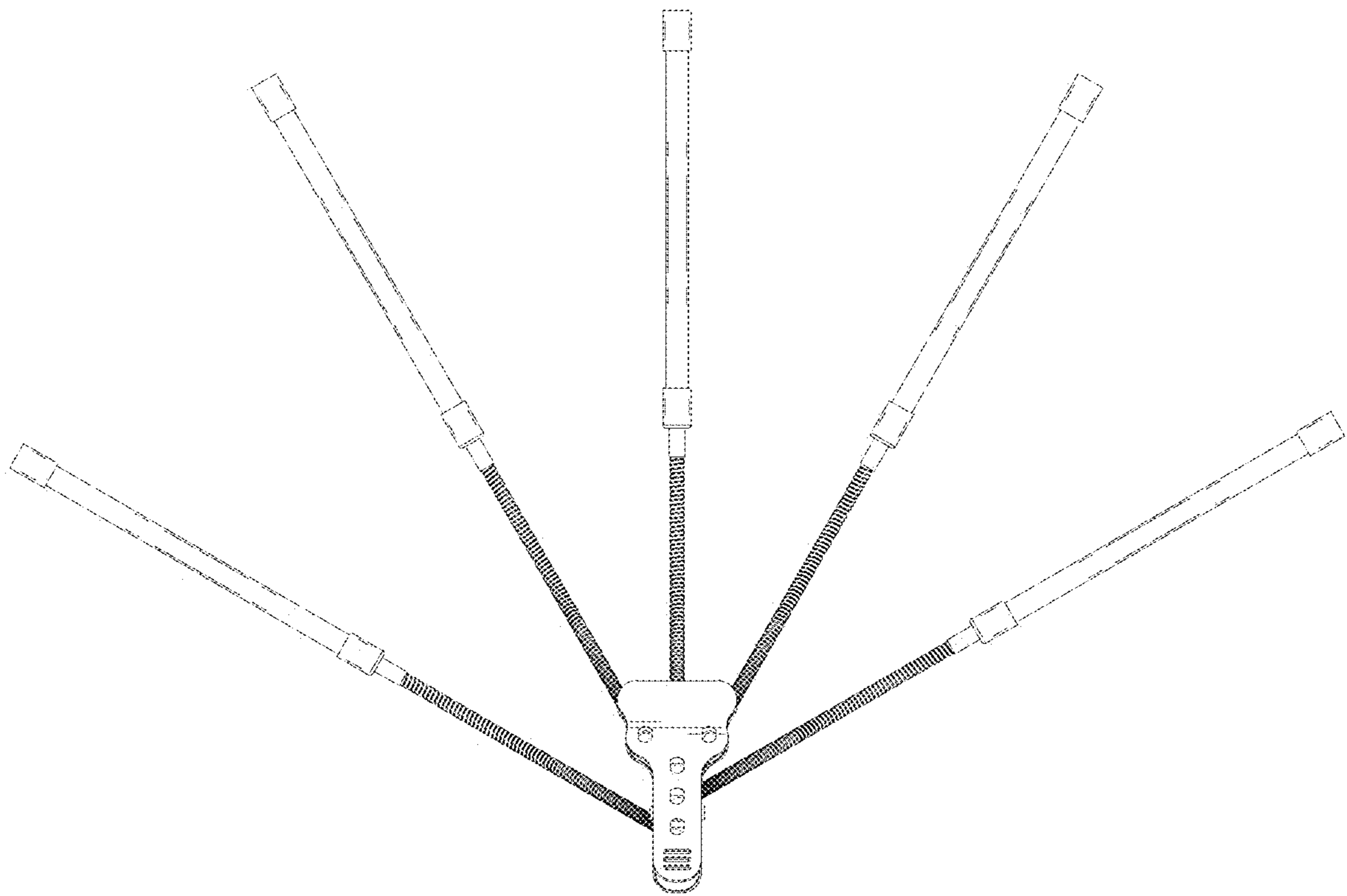


FIG. 7