



US00D962513S

(12) **United States Design Patent**  
**Zheng et al.**

(10) **Patent No.:** **US D962,513 S**

(45) **Date of Patent:** **\*\* Aug. 30, 2022**

(54) **GALAXY MUSIC LIGHT**

F21Y 2115/10; F21Y 2101/00; F21Y 2105/10; F21Y 2113/10; F21Y 2113/13; F21Y 2115/00

(71) Applicant: **Shenzhen Skoe Technology Co., Ltd.**,  
Shenzhen (CN)

See application file for complete search history.

(72) Inventors: **Caijian Zheng**, Shenzhen (CN);  
**Wenzhen Ouyang**, Shenzhen (CN)

(56) **References Cited**

U.S. PATENT DOCUMENTS

(\*\*) Term: **15 Years**

D612,474 S 3/2010 Jorgensen  
D779,109 S \* 2/2017 Wallach ..... D26/97  
(Continued)

(21) Appl. No.: **29/777,009**

(22) Filed: **Apr. 2, 2021**

OTHER PUBLICATIONS

(51) **LOC (13) Cl.** ..... **26-05**

(52) **U.S. Cl.**  
USPC ..... **D26/51**; D26/104

Aurora Projector Galaxy Light Projector. By Yunsova. Dated May 31, 2021. Found online [Jan. 20, 2022]. <https://www.amazon.com/Projector-Control-Bluetooth-Speaker-Bedroom/dp/B09683J8PB> (Year: 2021).\*

(58) **Field of Classification Search**  
USPC ..... D26/24, 37-52, 60, 93, 104-107, 113,  
D26/118-119, 138; D14/168, 172, 194,  
D14/204, 221, 255

*Primary Examiner* — Marissa J Cash  
*Assistant Examiner* — William B Melliar

CPC ..... F21V 9/14; F21V 21/30; F21V 23/0471;  
F21V 5/04; F21V 9/32; F21V 9/40; F21V 13/02; F21V 13/04; F21V 13/08; F21V 14/003; F21V 14/006; F21V 14/08; F21V 17/02; F21V 21/08; F21V 21/14; F21V 21/15; F21V 21/22; F21V 21/29; F21V 23/00; F21V 23/04; F21V 23/0435; F21V 23/0442; F21V 29/00; F21V 29/502; F21V 33/006; F21V 7/00; F21V 7/28; F21V 7/30; F21V 9/08; F21V 9/30; F21V 9/35; F21V 9/45; H01S 5/4031; H01S 5/423; H01S 5/005; H01S 5/022; H01S 5/18369; H01S 2301/163; H01S 3/005; H01S 3/0092; H01S 5/0087; H01S 5/02216; H01S 5/02253; H01S 5/02255; H01S 5/02257; H01S 5/02315; H01S 5/02325; H01S 5/02345; H01S 5/0237; H01S 5/02469; H01S 5/02476; H01S 5/0421; H01S 5/04256; H01S 5/14; H01S 5/18313; H01S 5/18347; H01S 5/18361; H01S 5/18377; H01S 5/32341; H01S 5/34333; H01S 5/4018; H01S 5/4087;

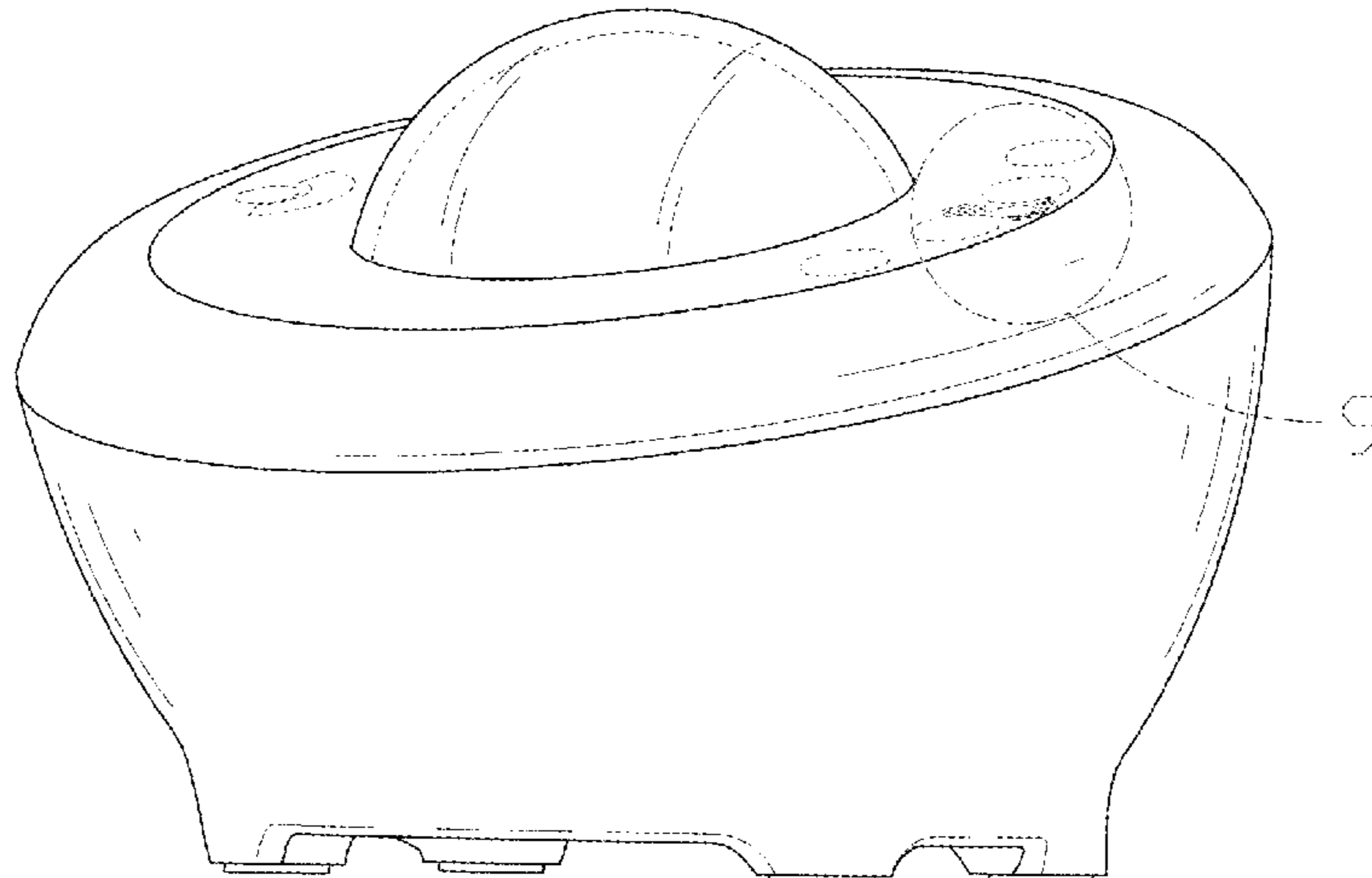
(57) **CLAIM**

The ornamental design for a galaxy music light, as shown and described.

**DESCRIPTION**

FIG. 1 is a first perspective view of a galaxy music light showing our new design;  
FIG. 2 is a second perspective view thereof;  
FIG. 3 is a front view thereof;  
FIG. 4 is a back view thereof;  
FIG. 5 is a left side view thereof;  
FIG. 6 is a right side view thereof;  
FIG. 7 is a top view thereof;  
FIG. 8 is a bottom view thereof; and,  
FIG. 9 is an enlarged view of the selected portion in FIG. 1. The broken lines shown in the drawings depict portions of the galaxy music light in which the design is embodied that

(Continued)



form no part of the claimed design. The dash-dot-dash lines shown in FIGS. 1 and 9 are for annotative purposes only and form no part thereof.

**1 Claim, 9 Drawing Sheets**

(56) **References Cited**

U.S. PATENT DOCUMENTS

D852,989	S	7/2019	Yao	
D867,626	S *	11/2019	Song .....	D26/24
D892,363	S *	8/2020	Liu .....	D26/24
D898,271	S *	10/2020	Zheng .....	D26/110
D900,353	S *	10/2020	Yi .....	D26/24
D901,065	S *	11/2020	Wang .....	D26/104
D912,883	S	3/2021	Zheng et al.	
D914,958	S *	3/2021	Zheng .....	D26/110
D919,146	S *	5/2021	Li .....	D26/51
D924,464	S *	7/2021	Egbert .....	D26/93
D927,751	S *	8/2021	Zheng .....	D26/51
D927,767	S *	8/2021	Zheng .....	D26/110
2021/0364142	A1 *	11/2021	Zheng .....	F21V 33/0056

\* cited by examiner

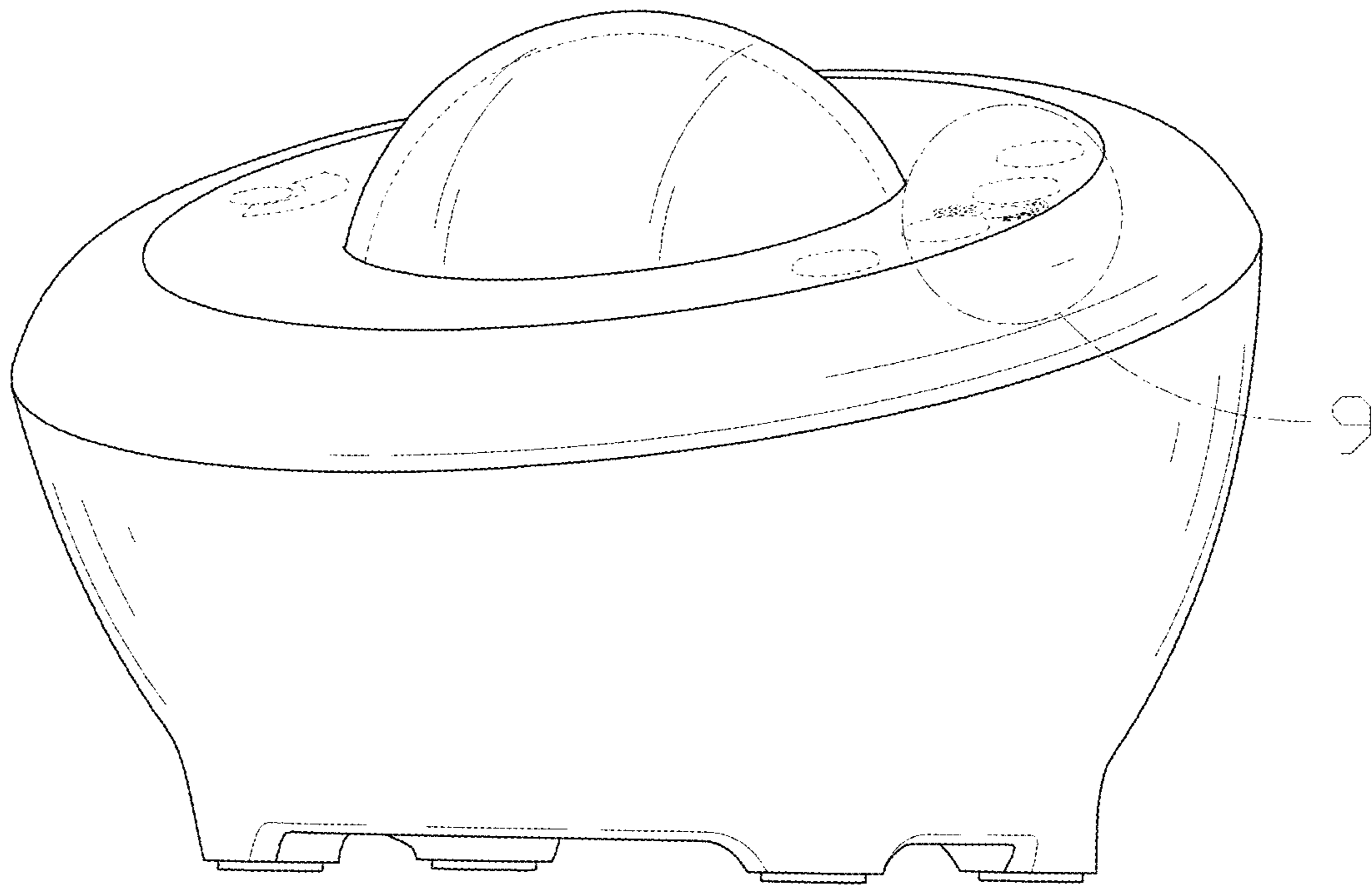


FIG. 1

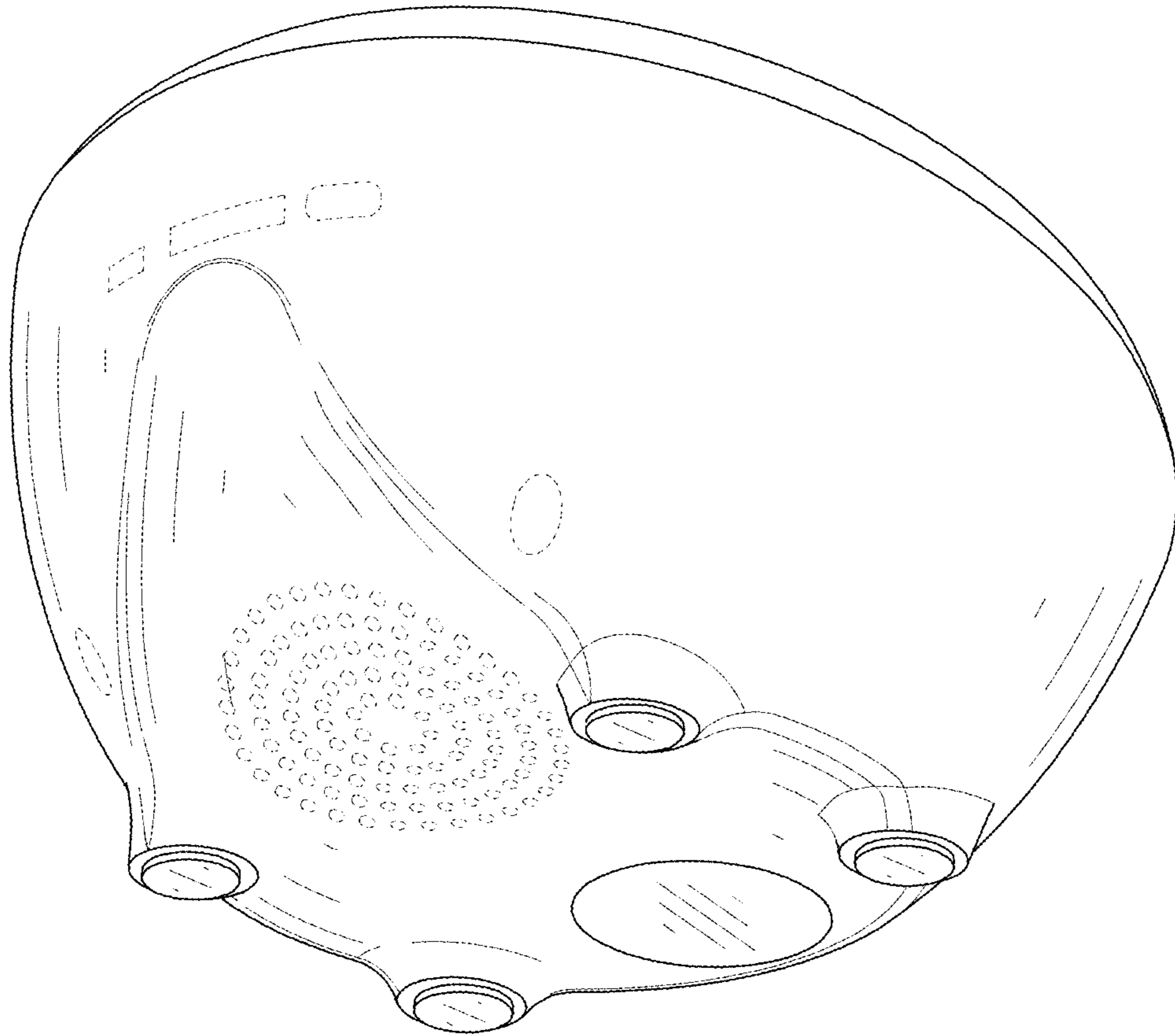


FIG. 2

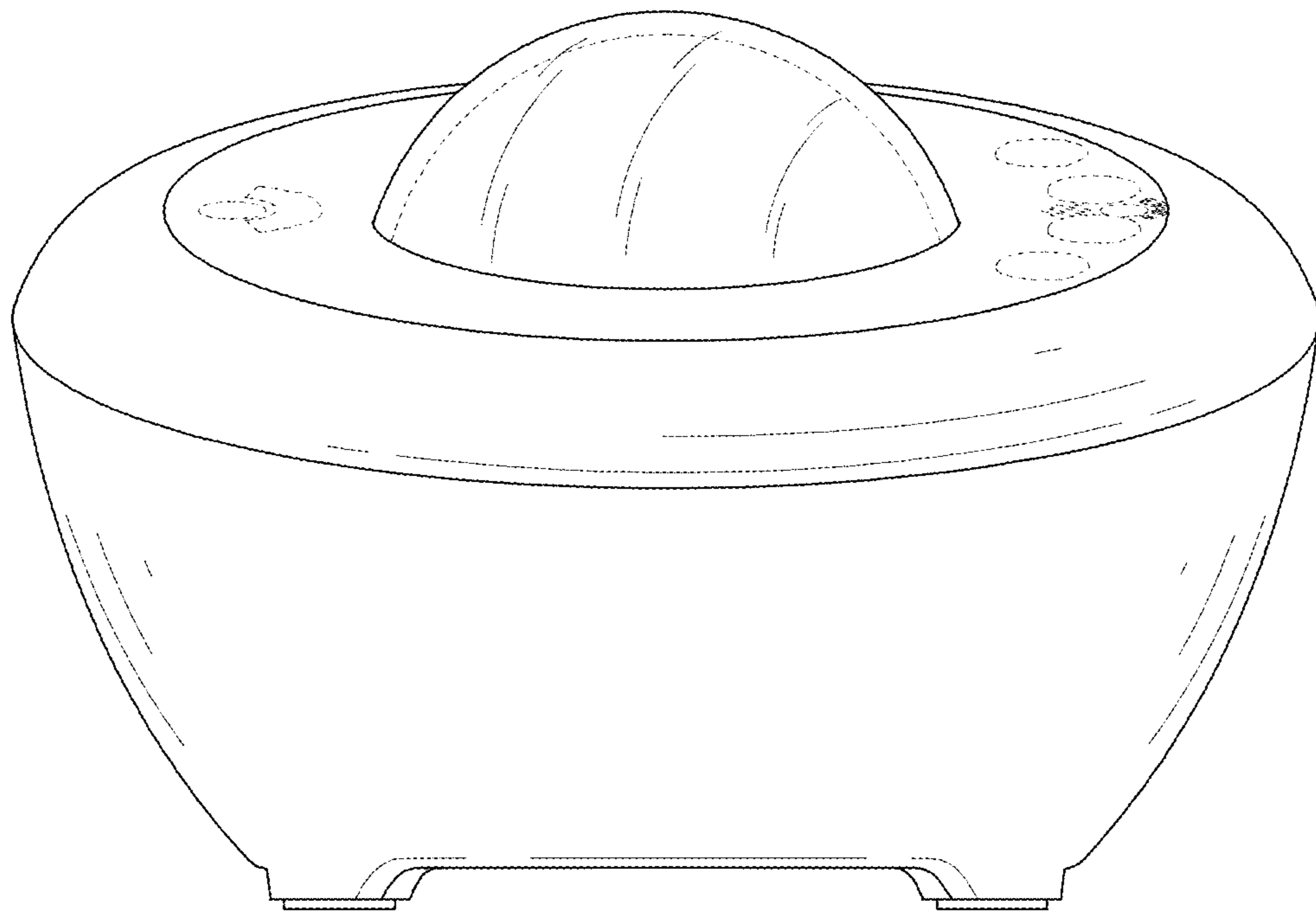


FIG. 3

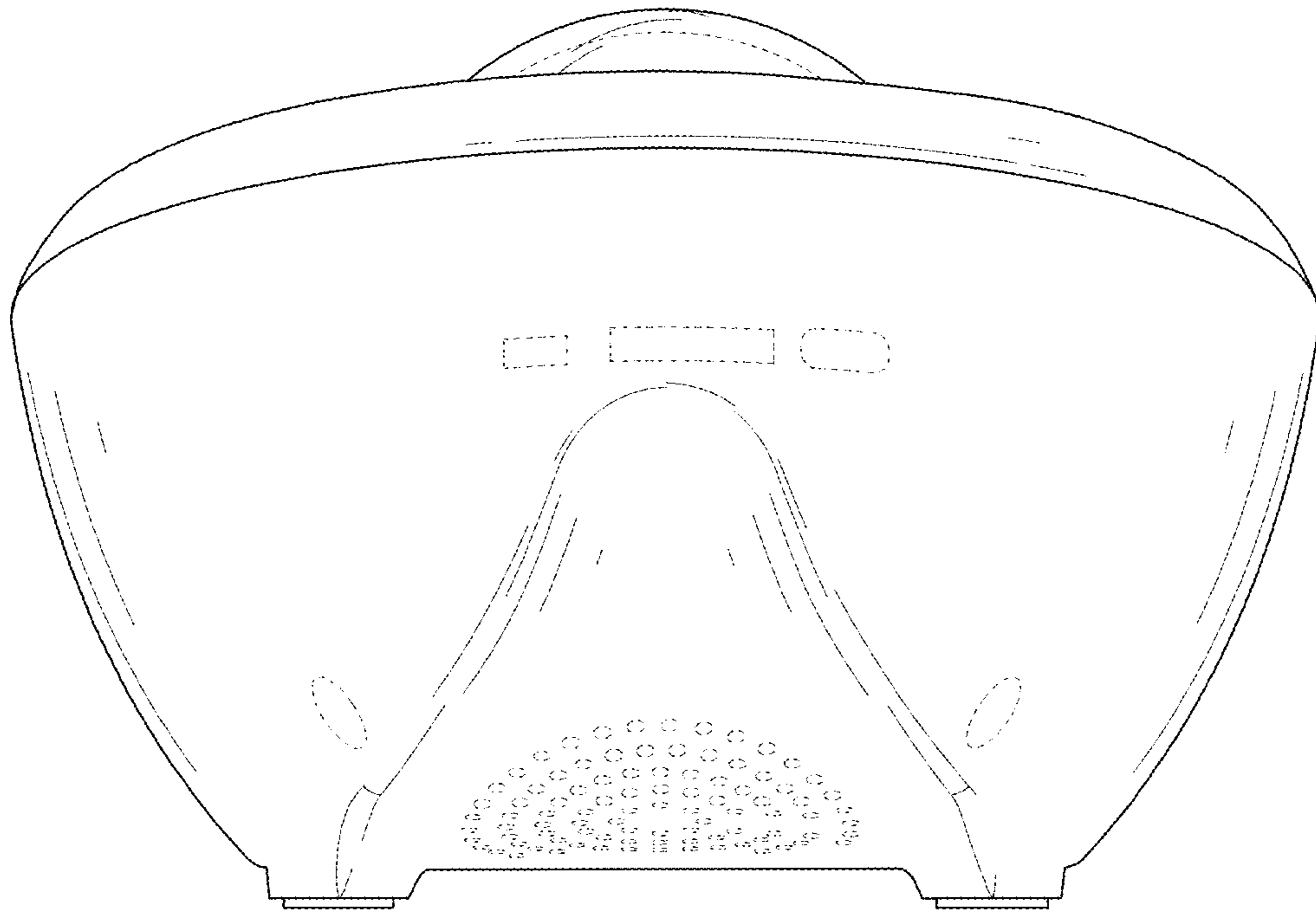


FIG. 4

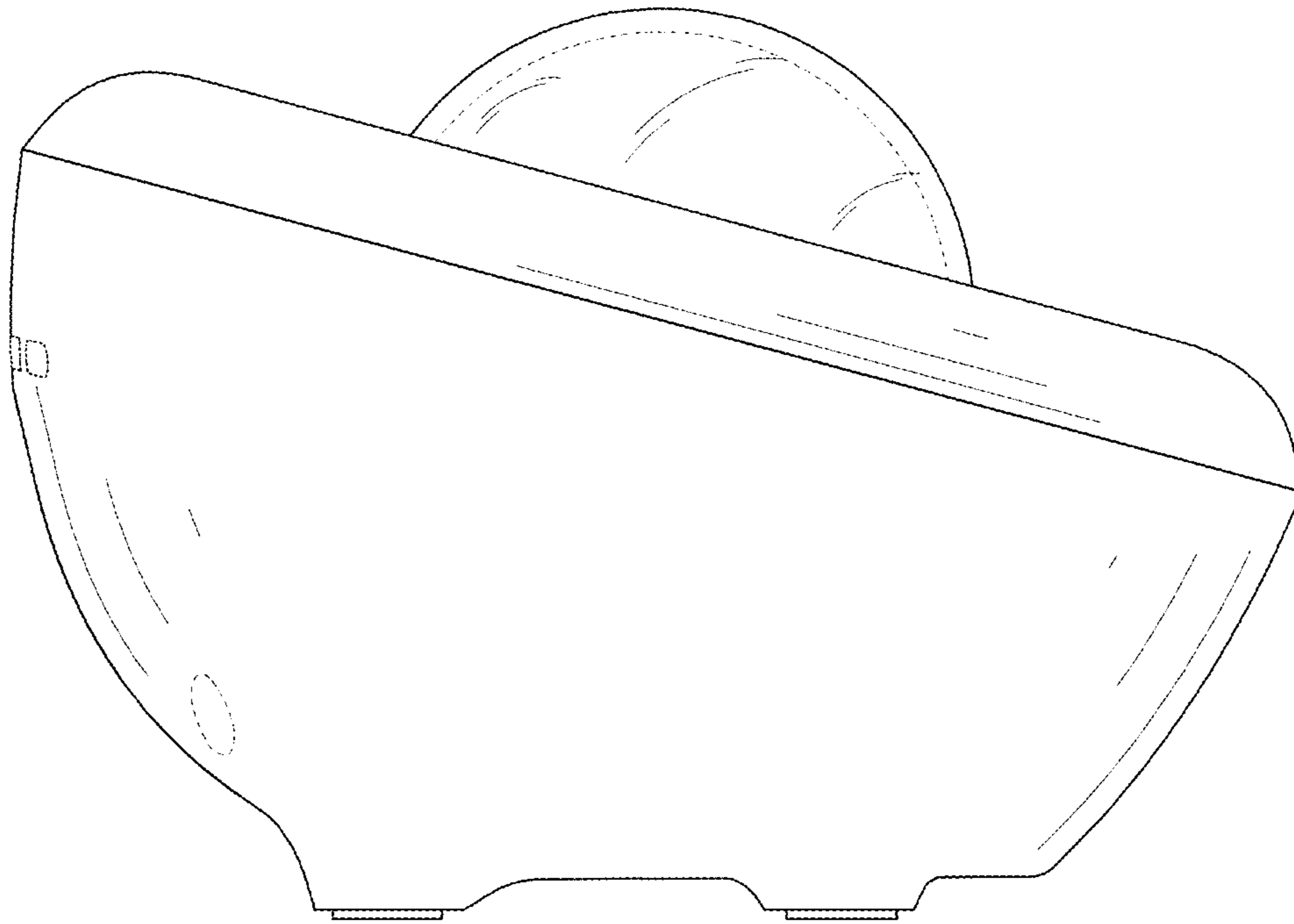


FIG. 5

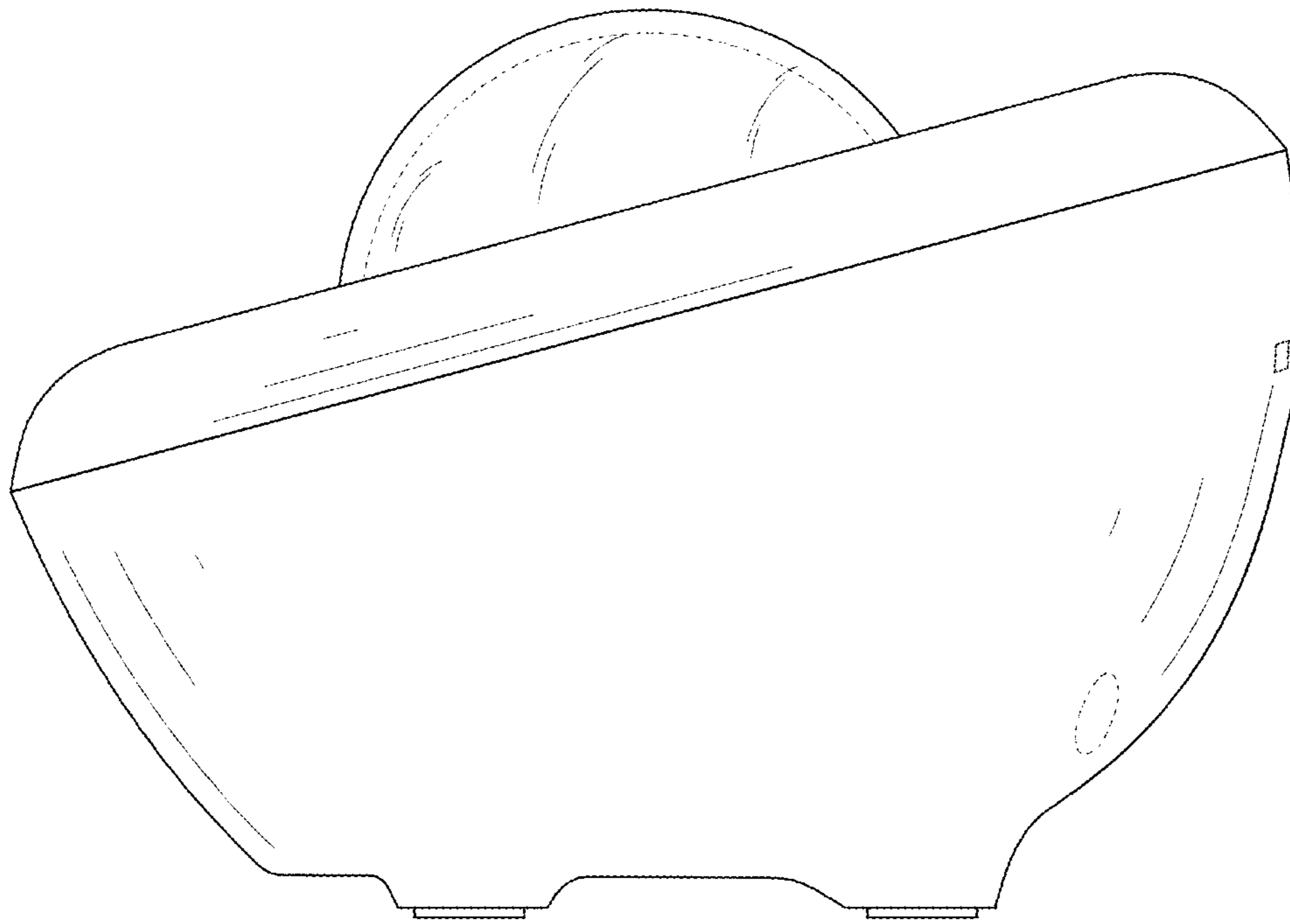


FIG. 6



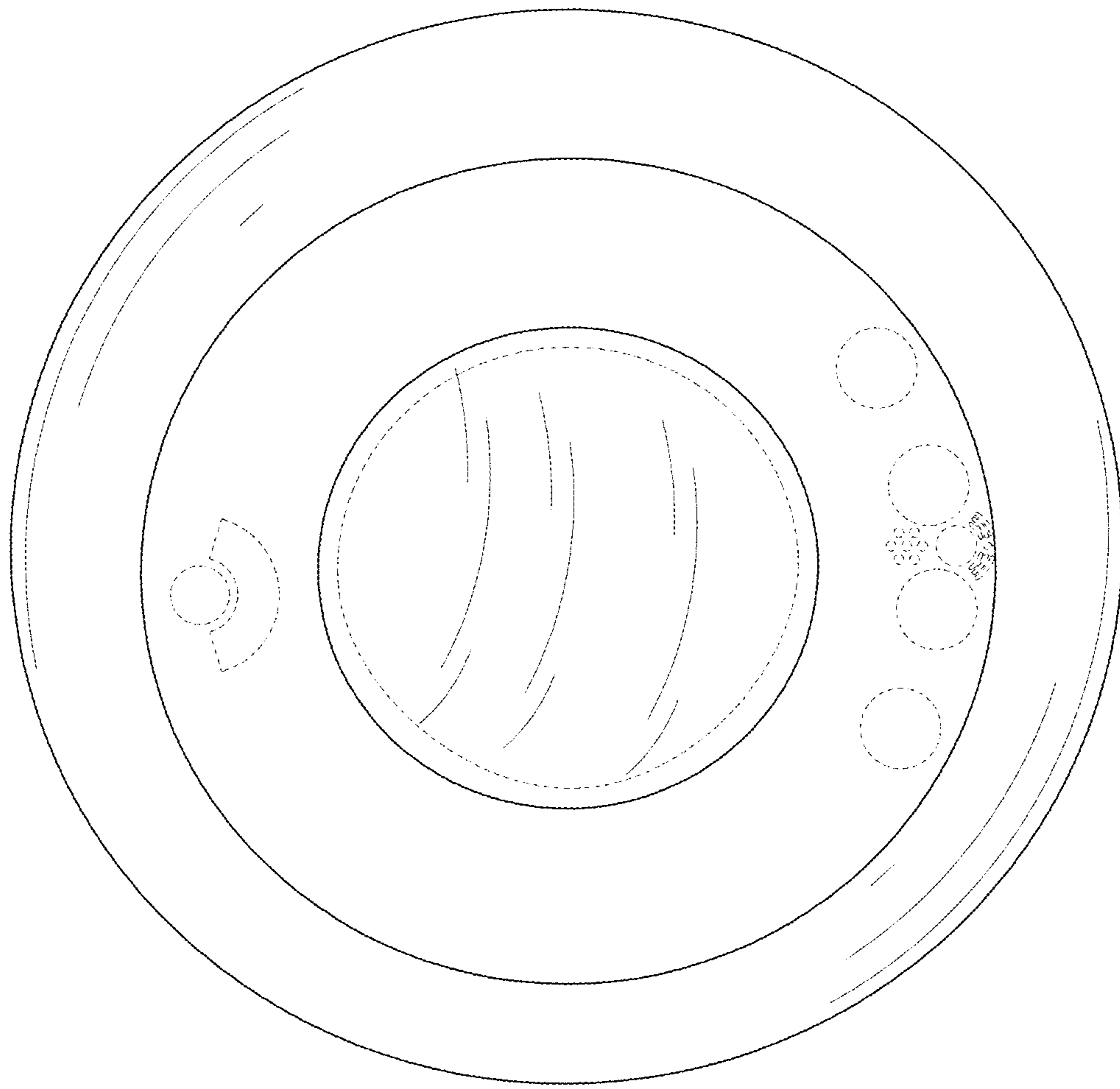


FIG. 7

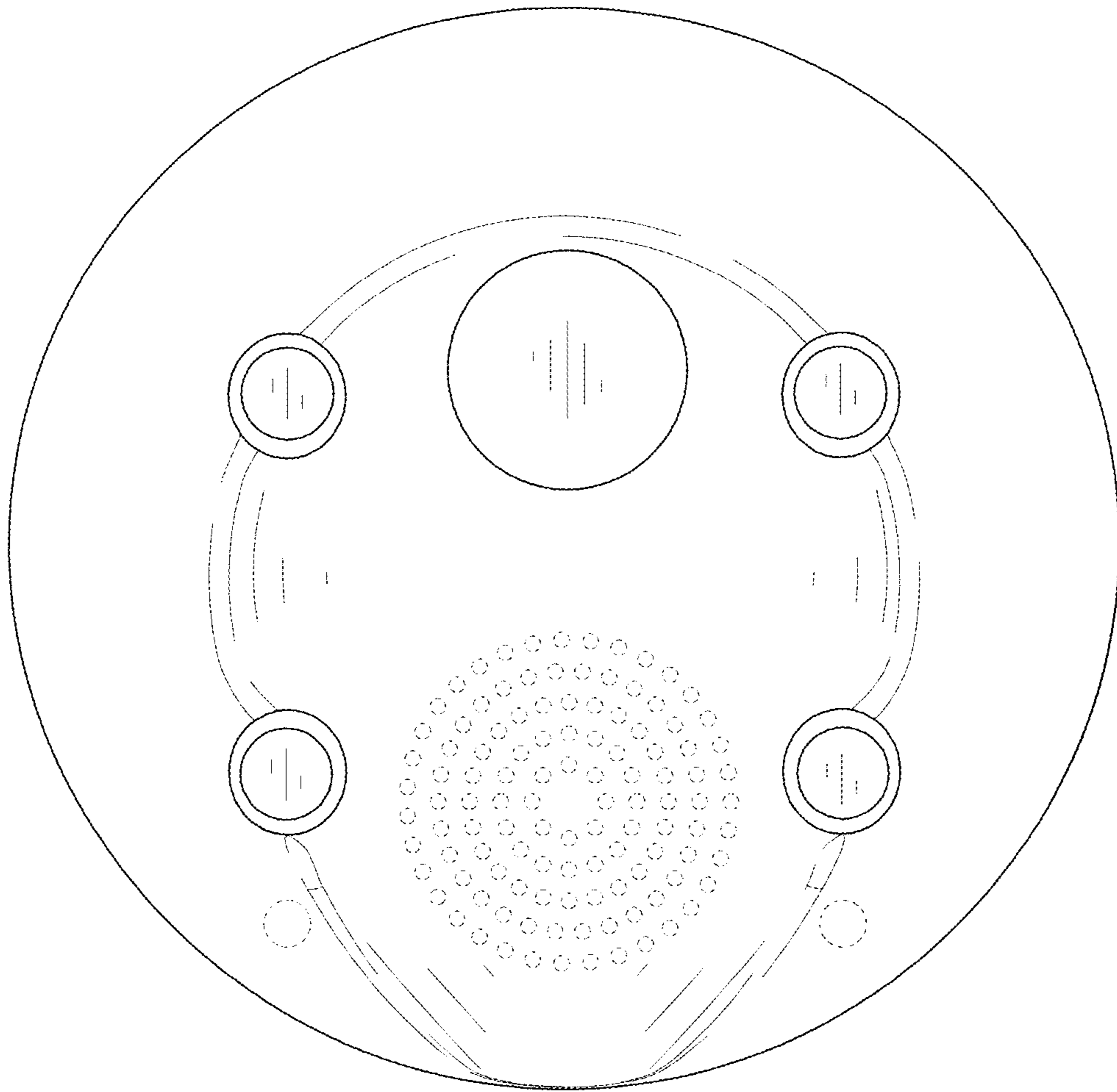


FIG. 8

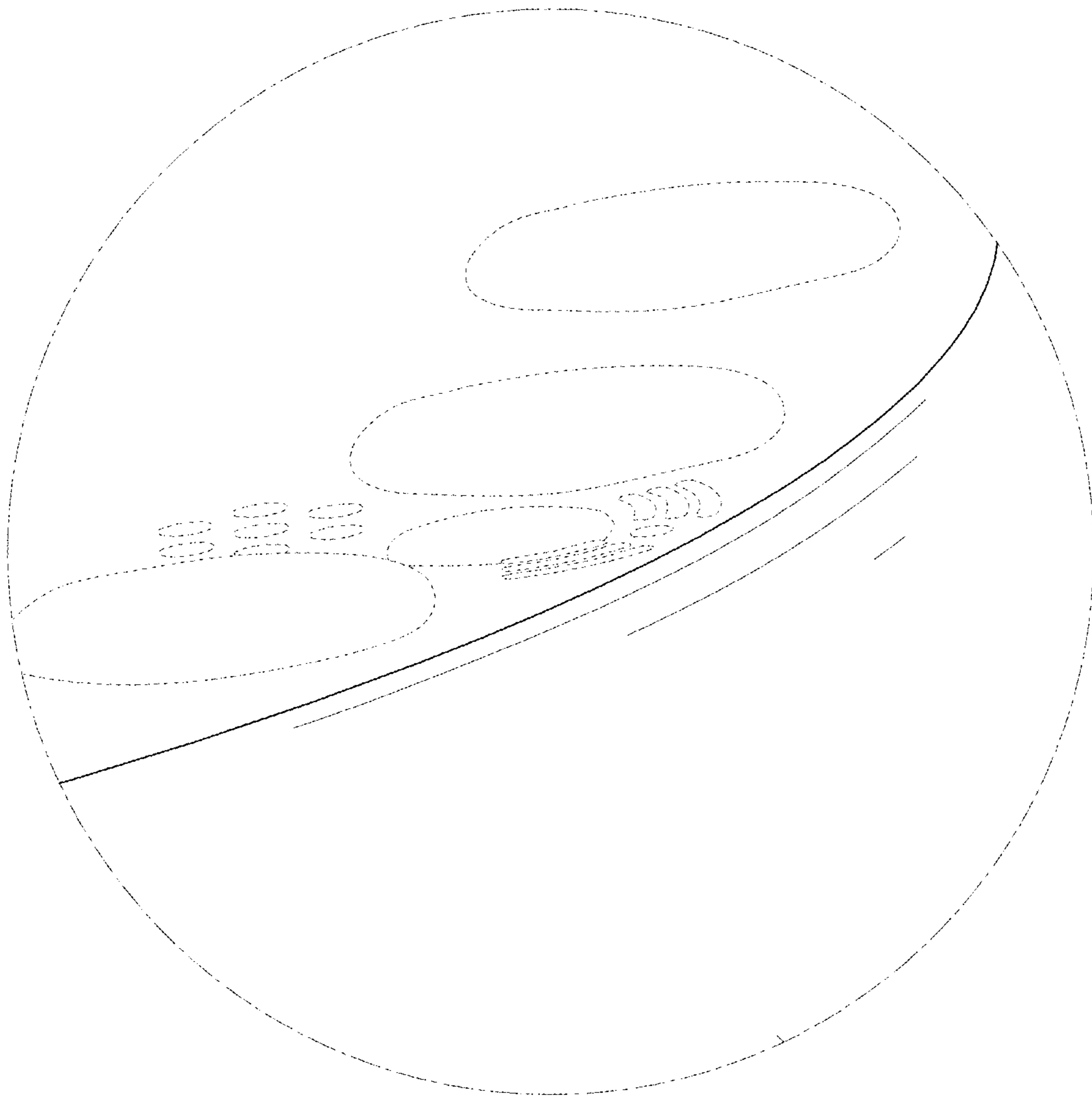


FIG. 9