



US00D962512S

(12) **United States Design Patent** (10) **Patent No.:** **US D962,512 S**  
**Gao** (45) **Date of Patent:** **\*\* Aug. 30, 2022**

(54) **CAMPING LAMP**

(71) Applicant: **NINGBO GAOLI ELECTRONIC TECHNOLOGY CO., LTD.**, Ningbo (CN)

(72) Inventor: **Yizhong Gao**, Ningbo (CN)

(73) Assignee: **NINGBO GAOLI ELECTRONIC TECHNOLOGY CO., LTD.**, Ningbo (CN)

D509,920 S \* 9/2005 Fritz ..... D26/40  
D524,968 S \* 7/2006 Poon ..... D26/40  
D538,455 S \* 3/2007 Lo ..... D26/40  
D540,485 S 4/2007 Waedeled  
D545,984 S \* 7/2007 Leung ..... D26/40  
D546,991 S \* 7/2007 Poon ..... D26/40  
D548,864 S \* 8/2007 Lee ..... D26/38  
D555,266 S \* 11/2007 Claassen ..... D26/40  
D563,017 S 2/2008 Waedeled  
D638,152 S \* 5/2011 Leung ..... D26/40  
D648,055 S \* 11/2011 Poon ..... D26/41

(Continued)

(\*\*) Term: **15 Years**

(21) Appl. No.: **29/790,832**

(22) Filed: **Dec. 16, 2021**

(30) **Foreign Application Priority Data**

Sep. 10, 2021 (CN) ..... 202130600095.1

(51) **LOC (13) Cl.** ..... **26-02**

(52) **U.S. Cl.**  
USPC ..... **D26/40**

(58) **Field of Classification Search**  
USPC ..... D26/24, 37-52, 60-61, 63, 65, 72, 81,  
D26/88, 93, 104-108, 113  
CPC ... F21L 4/00; F21L 19/00; F21L 4/027; F21L  
26/00; F21Y 2115/10; F21V 23/0414;  
F21V 21/406; F21V 15/01  
See application file for complete search history.

(56) **References Cited**

**U.S. PATENT DOCUMENTS**

D382,358 S \* 8/1997 Poon ..... D26/42  
D445,209 S \* 7/2001 Chen ..... D26/72  
6,394,630 B1 \* 5/2002 Skidmore ..... F21V 23/0435  
362/267  
D468,039 S \* 12/2002 Poon ..... D26/40  
D483,507 S \* 12/2003 Krieger ..... D26/40  
D485,928 S \* 1/2004 Leung ..... D26/40  
D491,302 S \* 6/2004 Krieger ..... D26/40

**OTHER PUBLICATIONS**

LED Camping Lantern. By Laijunze. Dated Feb. 28, 2022. Found online [Jul. 6, 2022]. <https://www.amazon.com/Camping-Lantern-Portable-Lighting-Emergency/dp/B09TKFXH7R> (Year: 2022).\*

*Primary Examiner* — Marissa J Cash  
*Assistant Examiner* — William B Melliar  
(74) *Attorney, Agent, or Firm* — Zhihua Han; Wen IP LLC

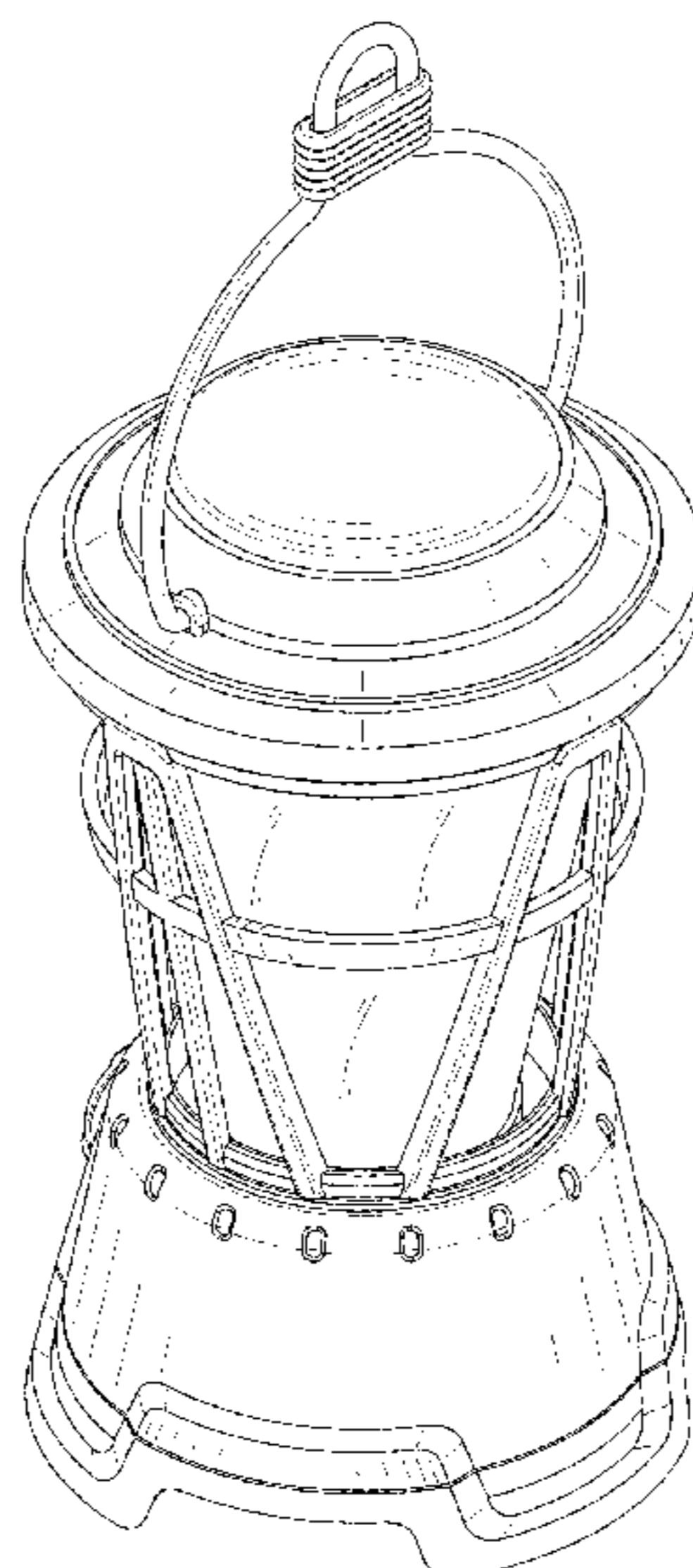
(57) **CLAIM**

The ornamental design for a camping lamp, as shown and described.

**DESCRIPTION**

FIG. 1 is a first perspective view of a camping lamp showing my new design;  
FIG. 2 is a second perspective view thereof;  
FIG. 3 is a front view thereof;  
FIG. 4 is a back view thereof;  
FIG. 5 is a left side view thereof;  
FIG. 6 is a right side view thereof;  
FIG. 7 is a top view thereof; and,  
FIG. 8 is a bottom view thereof.  
The broken lines shown in the drawings depict portions of the camping lamp in which the design is embodied that form no part of the claimed design.

**1 Claim, 8 Drawing Sheets**



(56)

**References Cited**

U.S. PATENT DOCUMENTS

D674,945 S \* 1/2013 Bertken ..... D26/40  
D917,086 S 4/2021 Tang

\* cited by examiner

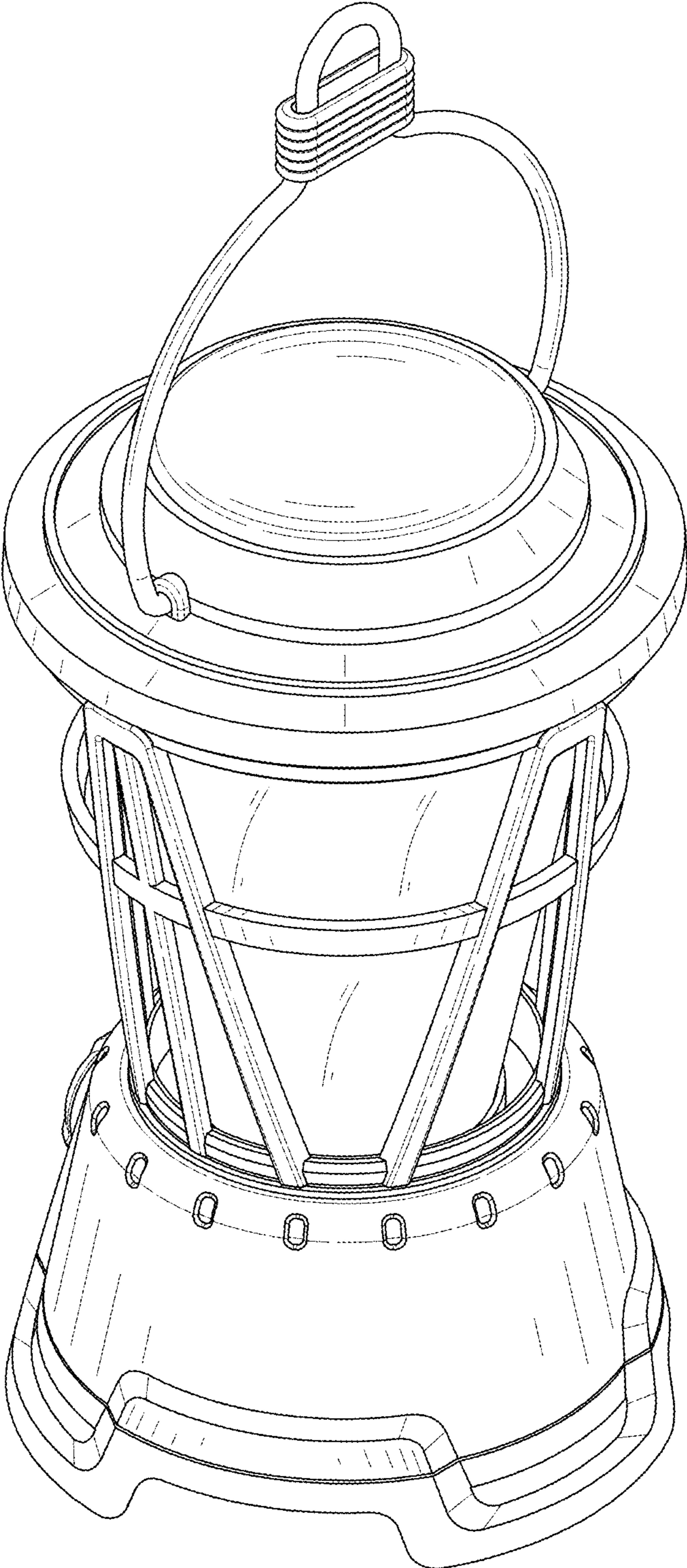


FIG. 1

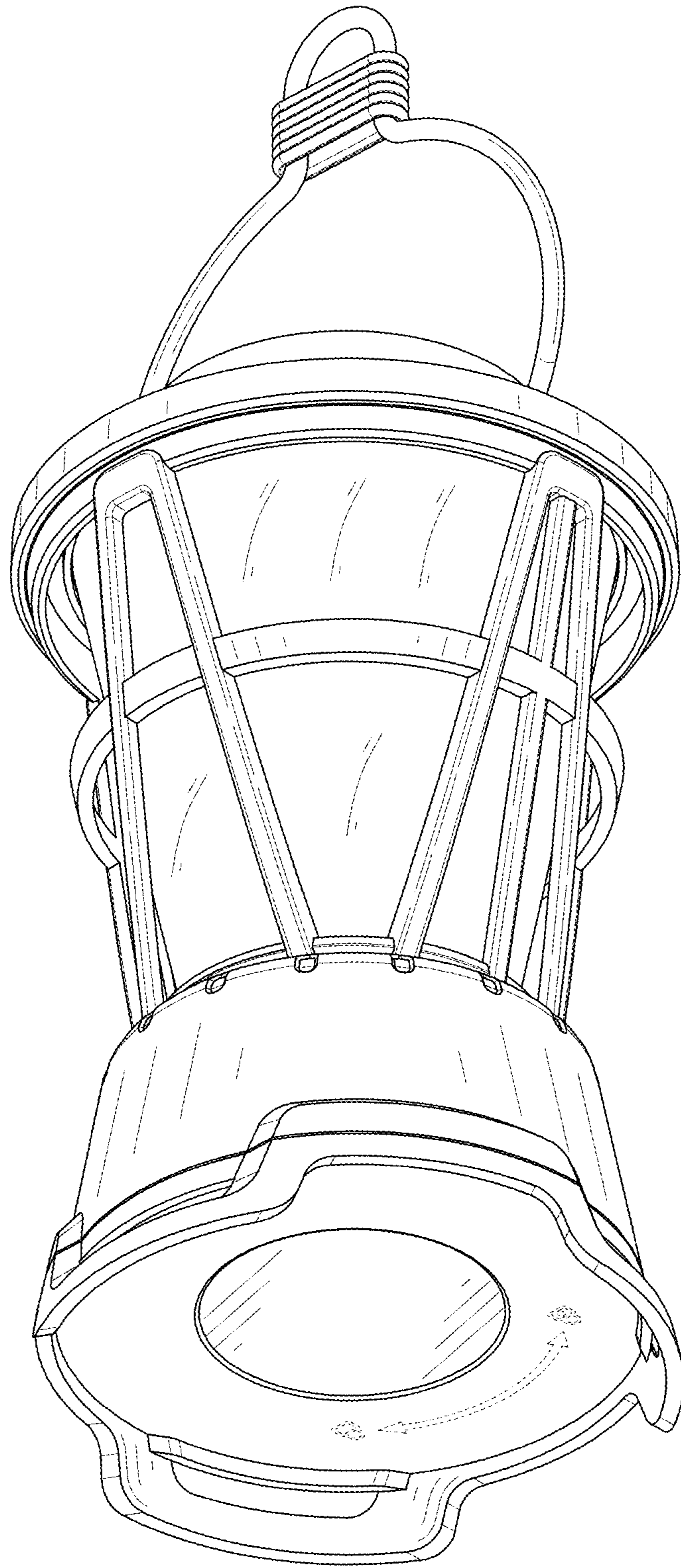


FIG. 2

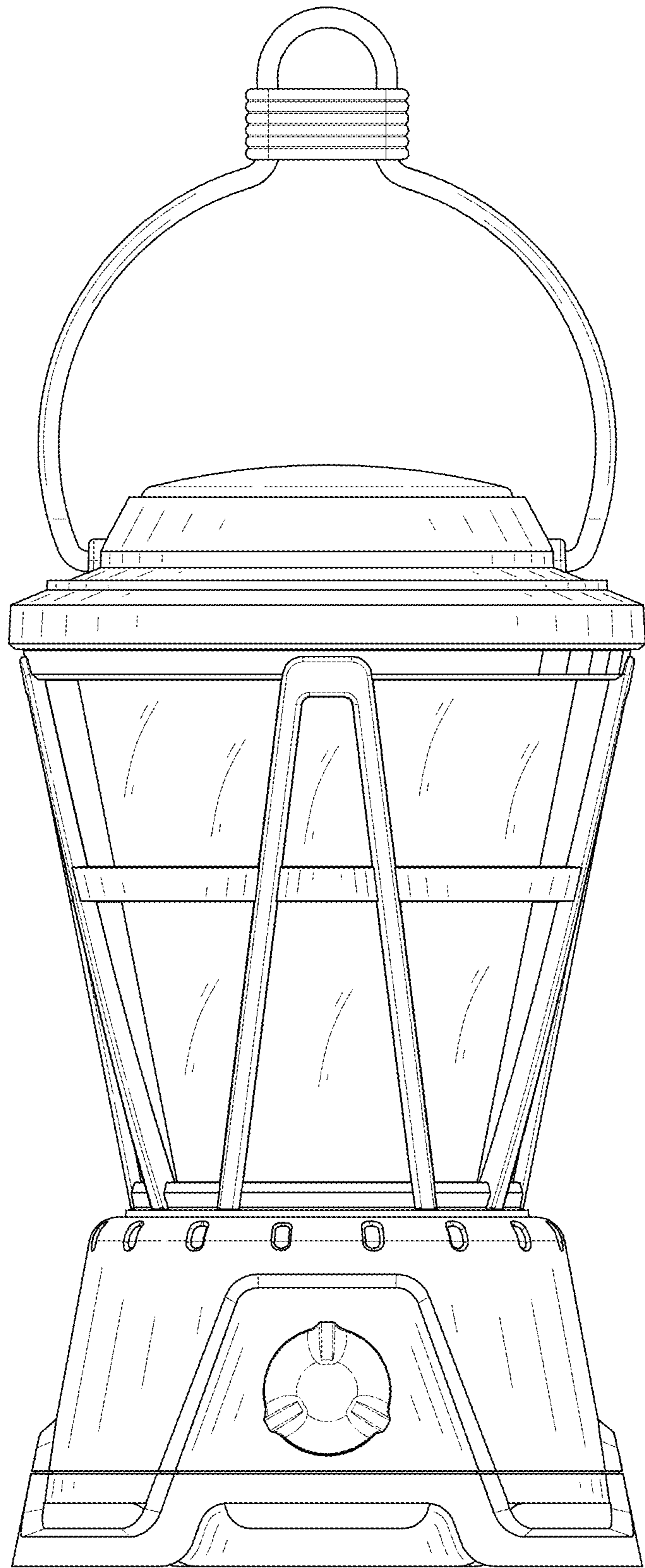


FIG. 3

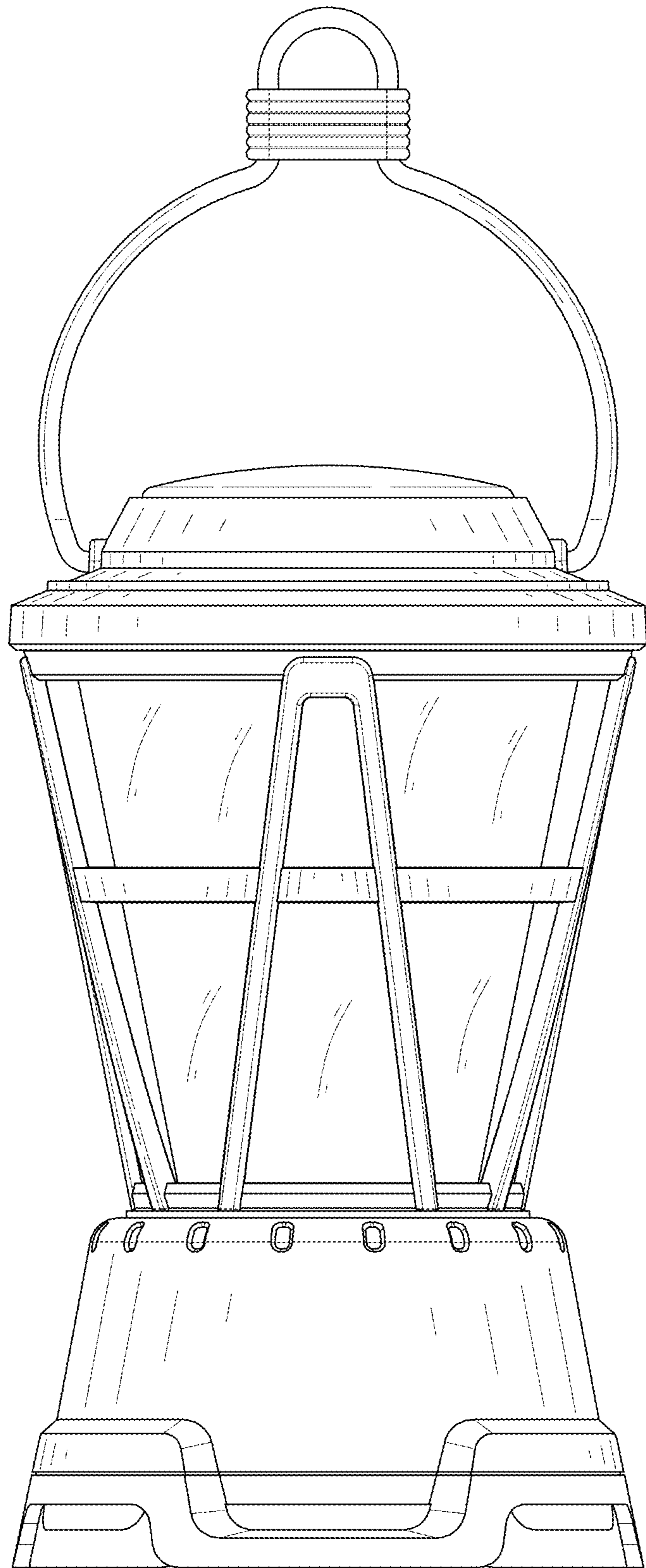


FIG. 4

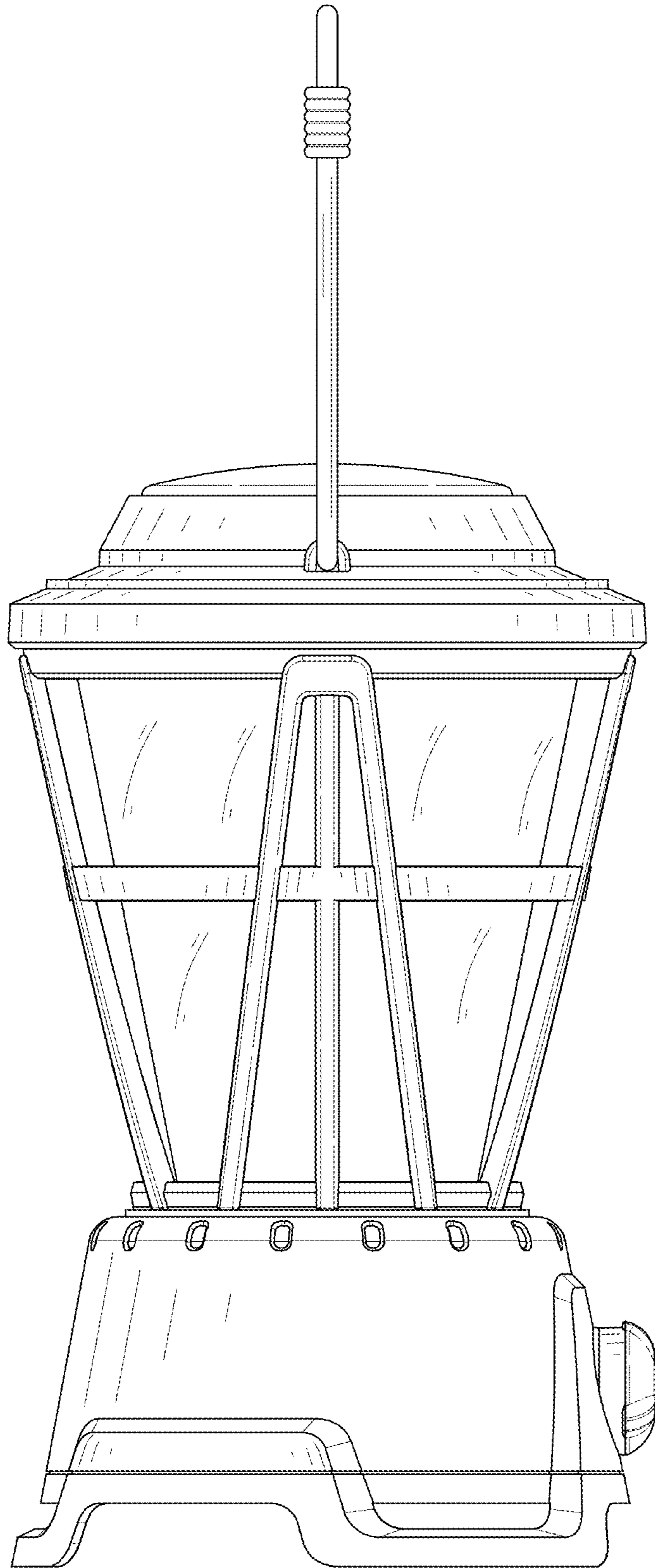


FIG. 5

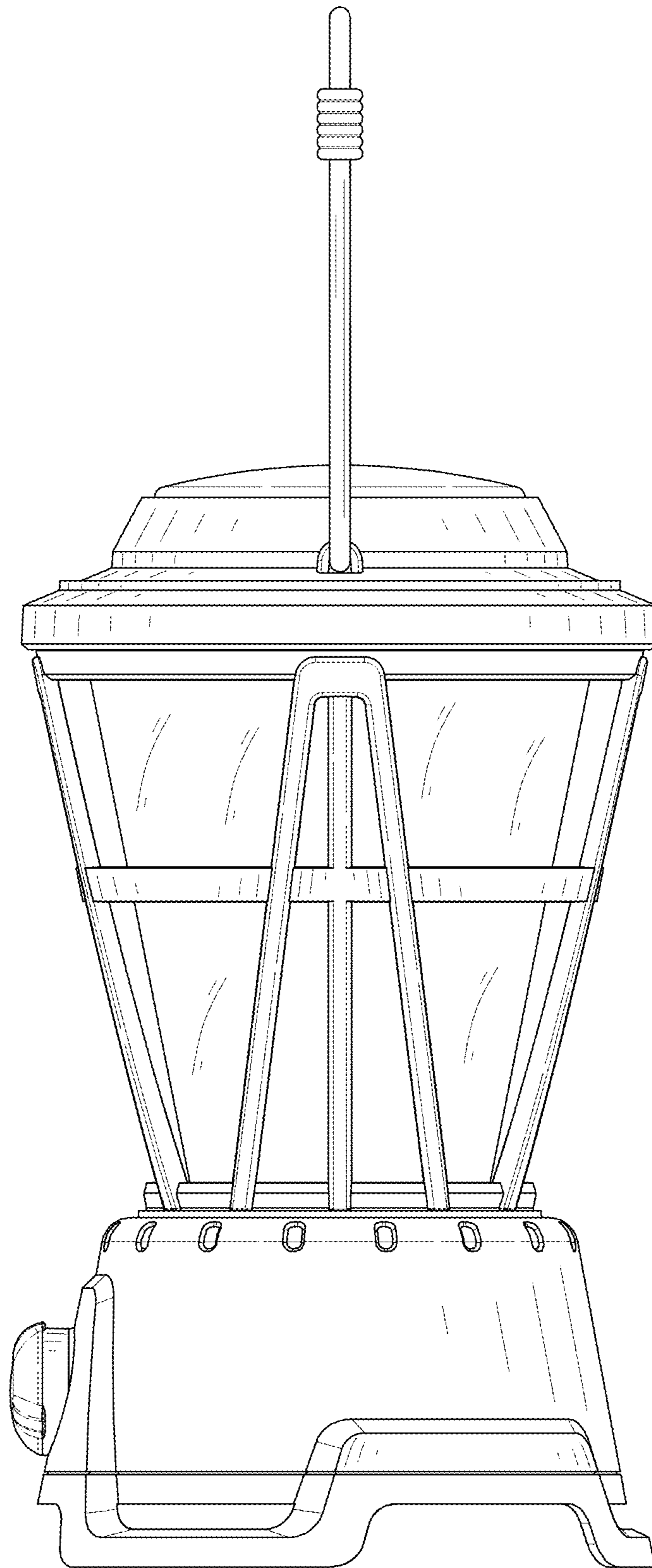


FIG. 6



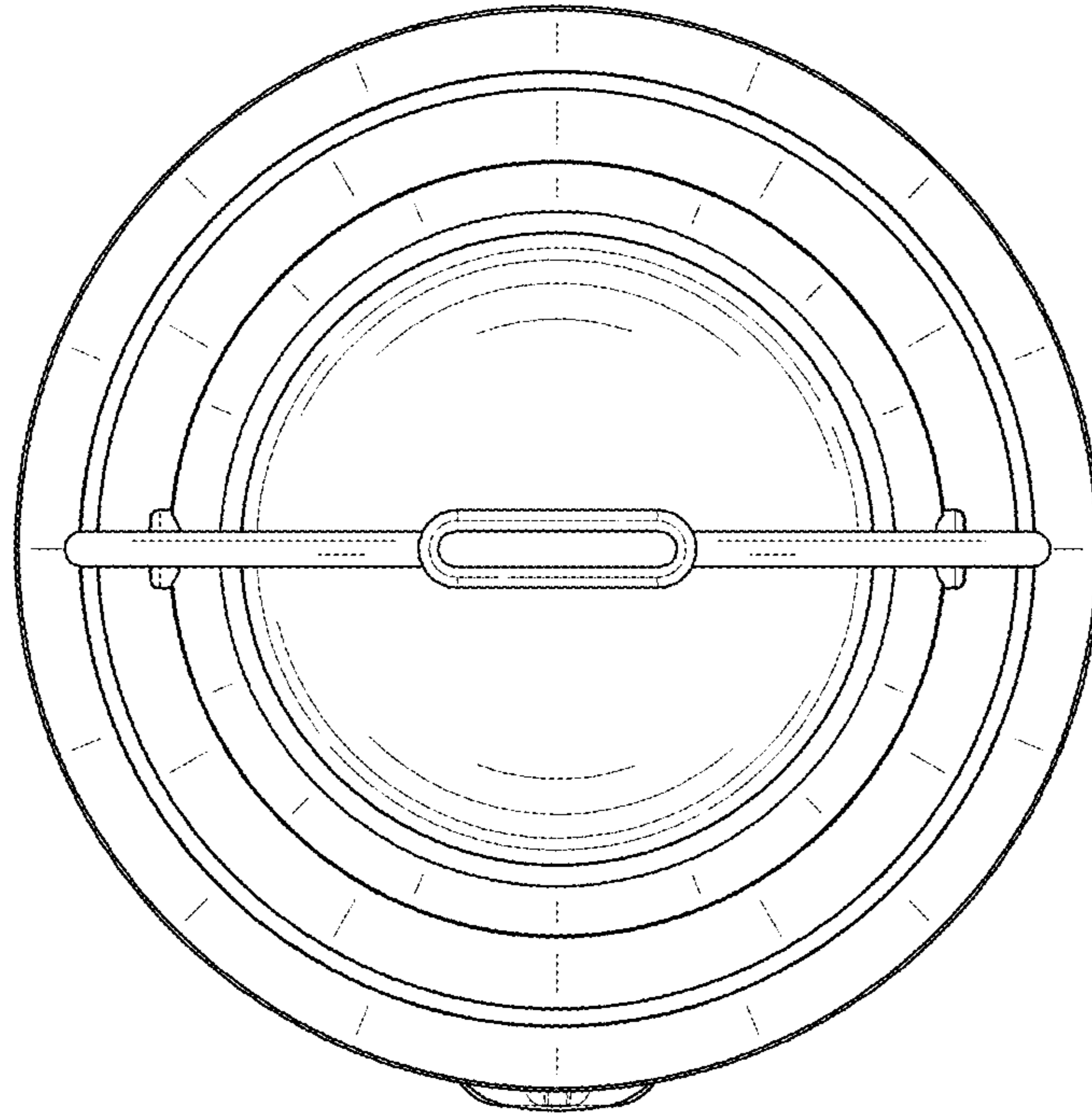


FIG. 7

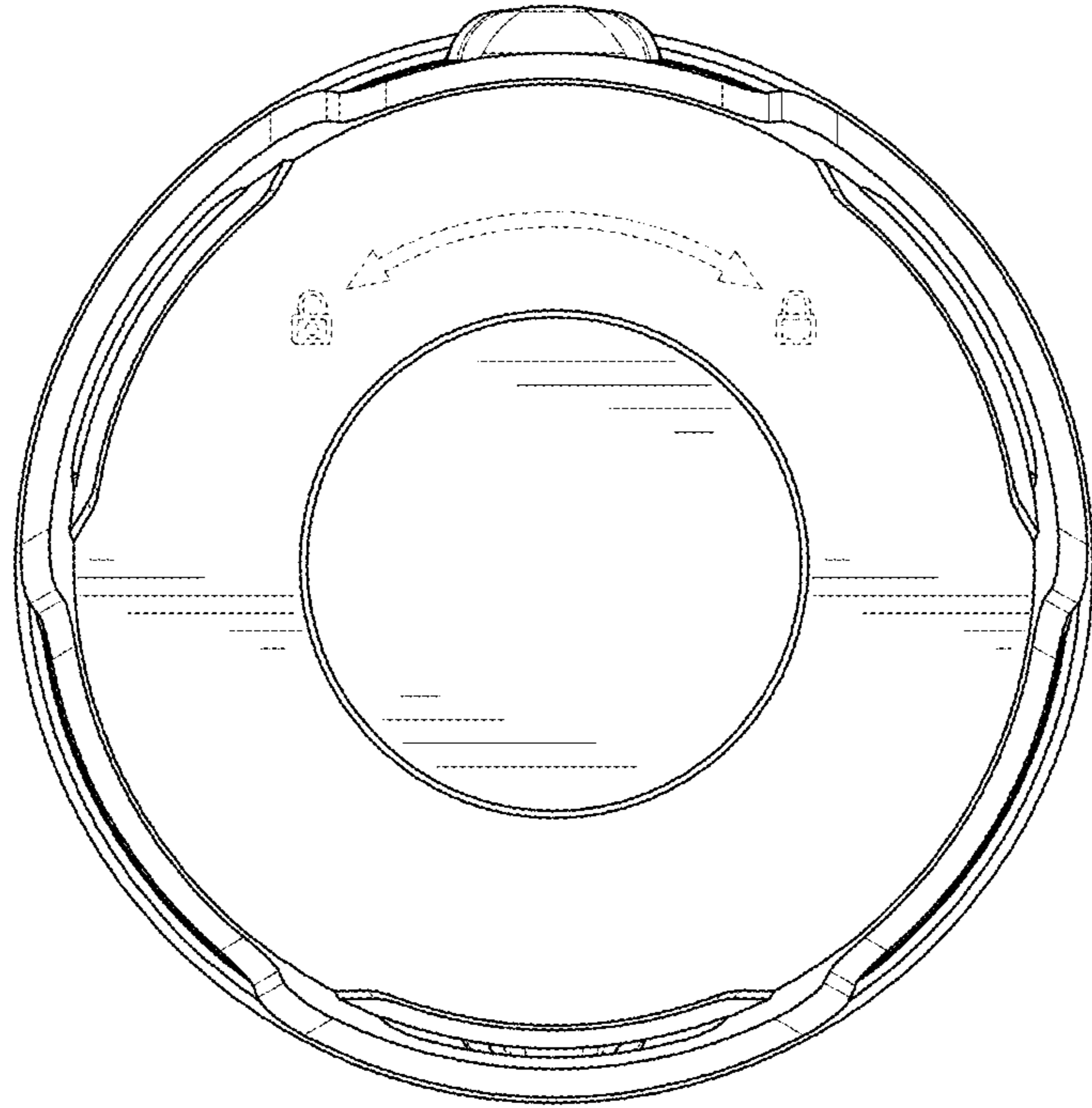


FIG. 8