



US00D962511S

(12) **United States Design Patent**
Wei

(10) **Patent No.:** **US D962,511 S**

(45) **Date of Patent:** **** Aug. 30, 2022**

(54) **HEADLAMP**

(71) Applicant: **Shenzhen Hanlin International Trade Co., Ltd.**, Shenzhen (CN)

(72) Inventor: **Yong Wei**, Dongguan (CN)

(73) Assignee: **Shenzhen Hanlin International Trade Co., Ltd.**, Shenzhen (CN)

(**) Term: **15 Years**

(21) Appl. No.: **29/787,742**

(22) Filed: **Jun. 8, 2021**

(51) **LOC (13) Cl.** **26-02**

(52) **U.S. Cl.**
USPC **D26/39**

(58) **Field of Classification Search**
USPC D26/24, 37-52, 113, 138
CPC F21Y 2115/10; F21Y 2113/13; F21Y 2115/30; F21Y 2113/10; F21Y 2105/12; F21Y 2107/00; F21Y 2113/00; F21Y 2113/17; F21Y 2113/20; F21Y 2115/00; F21V 21/084; F21V 23/0414; F21V 23/0492; F21V 23/002; F21V 21/0816; F21V 21/30; F21V 23/003; F21V 23/0471; F21V 14/06; F21V 15/01; F21V 17/02; F21V 21/096; F21V 21/0965; F21V 21/145; F21V 23/023; F21V 23/0442; F21V 14/02; F21V 14/025; F21V 14/04; F21V 17/007; F21V 17/06; F21V 17/12; F21V 21/002; F21V 21/0885; F21V 21/10; F21V 23/007; F21V 23/02; F21V 23/0464; F21V 23/0478; F21V 23/0485; F21V 29/15; F21V 29/70; F21V 33/0008; F21V 5/004; F21V 5/006; F21V 5/008; F21V 5/08; F21V 7/00; F21V 7/09; F21V 9/30
See application file for complete search history.

(56) **References Cited**

U.S. PATENT DOCUMENTS

D683,489 S * 5/2013 Lee D26/39
D814,083 S * 3/2018 Green D26/39

D836,810 S 12/2018 Debrunner
D848,042 S * 5/2019 Feng D26/39
D865,249 S * 10/2019 Wu D26/39
D869,034 S * 12/2019 Eichelberger D26/39
D919,143 S * 5/2021 Gao D26/39
D919,144 S * 5/2021 Gao D26/39
D919,145 S * 5/2021 Gao D26/39

(Continued)

OTHER PUBLICATIONS

Headlamp Rechargeable. By JNDFOFC. Dated Aug. 1, 2021. Found online [Mar. 28, 2022]. <https://www.amazon.com/Rechargeable-JNDFOFC-flashlight-Waterproof-Headlight/dp/B0972XCG19> (Year: 2021).*

(Continued)

Primary Examiner — Marissa J Cash
Assistant Examiner — William B Melliar
(74) *Attorney, Agent, or Firm* — Jinggao Li

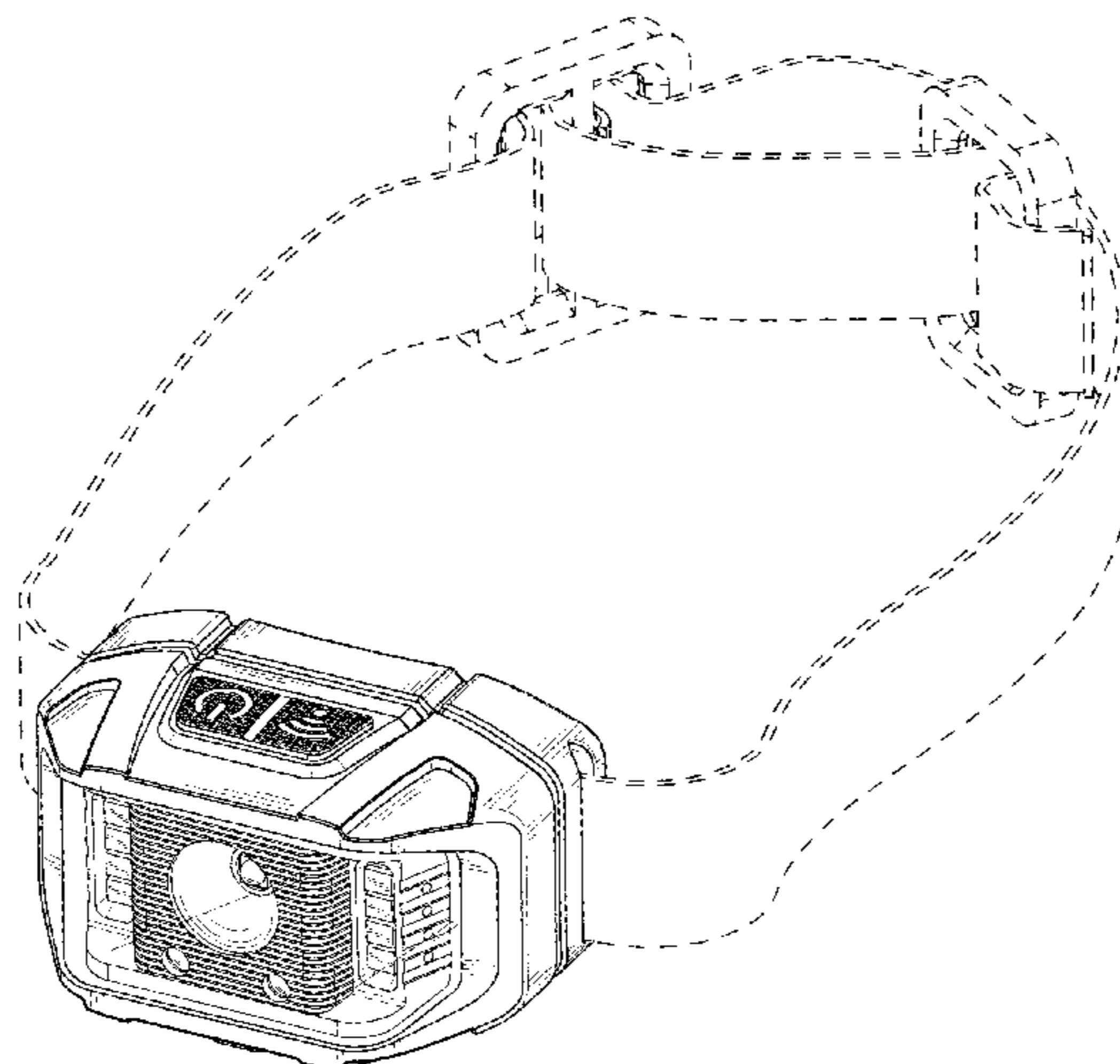
(57) **CLAIM**

The ornamental design for a headlamp, as shown and described.

DESCRIPTION

FIG. 1 is a perspective view of a headlamp for vehicle on board controller showing my new design; FIG. 2 is another perspective view thereof; FIG. 3 is a front view thereof; FIG. 4 is a rear view thereof; FIG. 5 is a left side view thereof; FIG. 6 is a right side view thereof; FIG. 7 is a top plan view thereof; FIG. 8 is a bottom plan view thereof; and, FIG. 9 is a perspective view thereof in an open state. The broken lines depict portions of the headlamp and form no part of the claimed design.

1 Claim, 9 Drawing Sheets



(56)

References Cited

U.S. PATENT DOCUMENTS

D932,671 S * 10/2021 Bertken D26/39
D935,073 S * 11/2021 Qiu D26/39
2021/0348734 A1 * 11/2021 Bertken F21V 23/0414

OTHER PUBLICATIONS

2 Pack of Rechargeable Headlamp. By Goforwild. Dated Nov. 25, 2018. Found online [Mar. 28, 2022]. <https://www.amazon.com/Rechargeable-Headlamp-Lightweight-Waterproof-Adjustable/dp/B07KVVX9Y5V> (Year: 2018).*

* cited by examiner

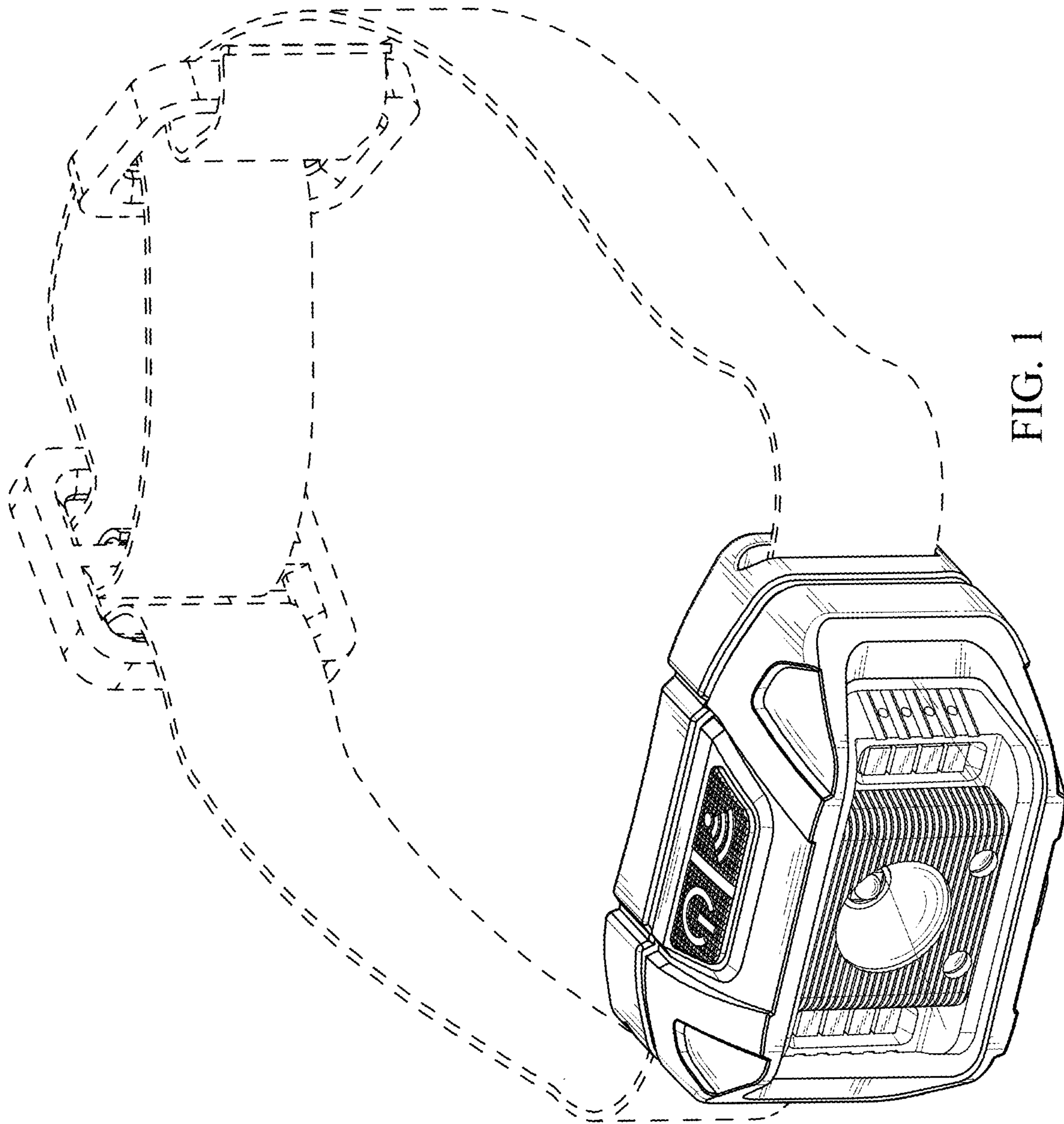


FIG. 1

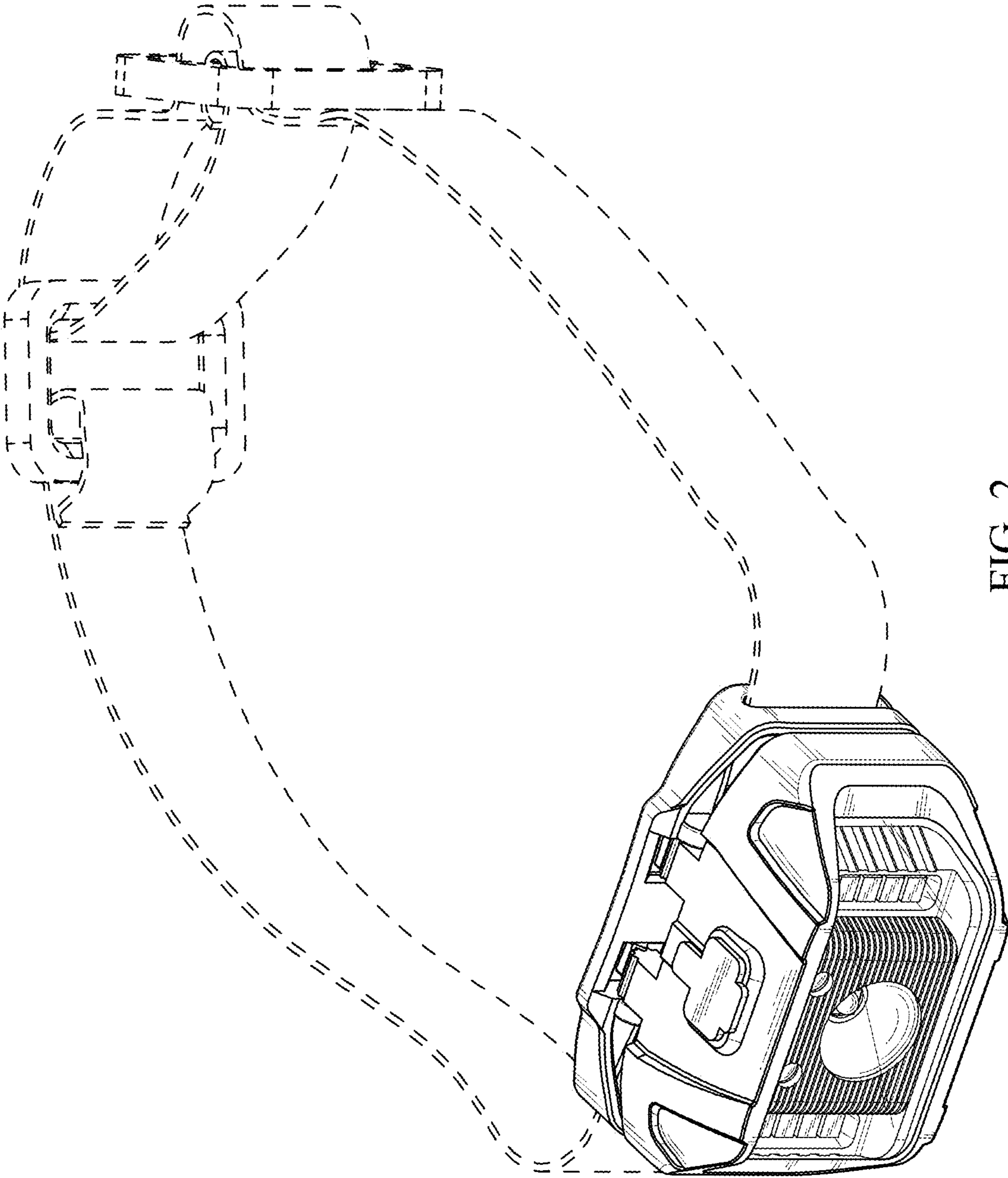


FIG. 2

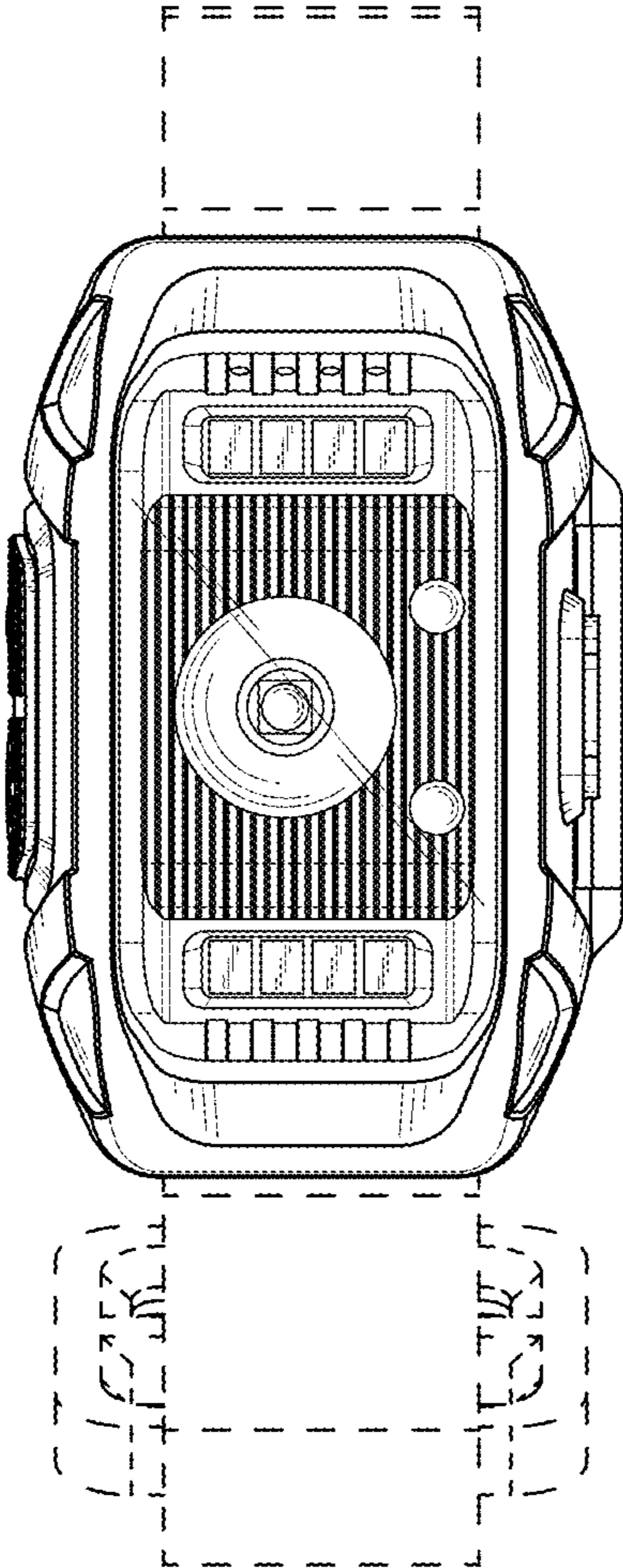


FIG. 3

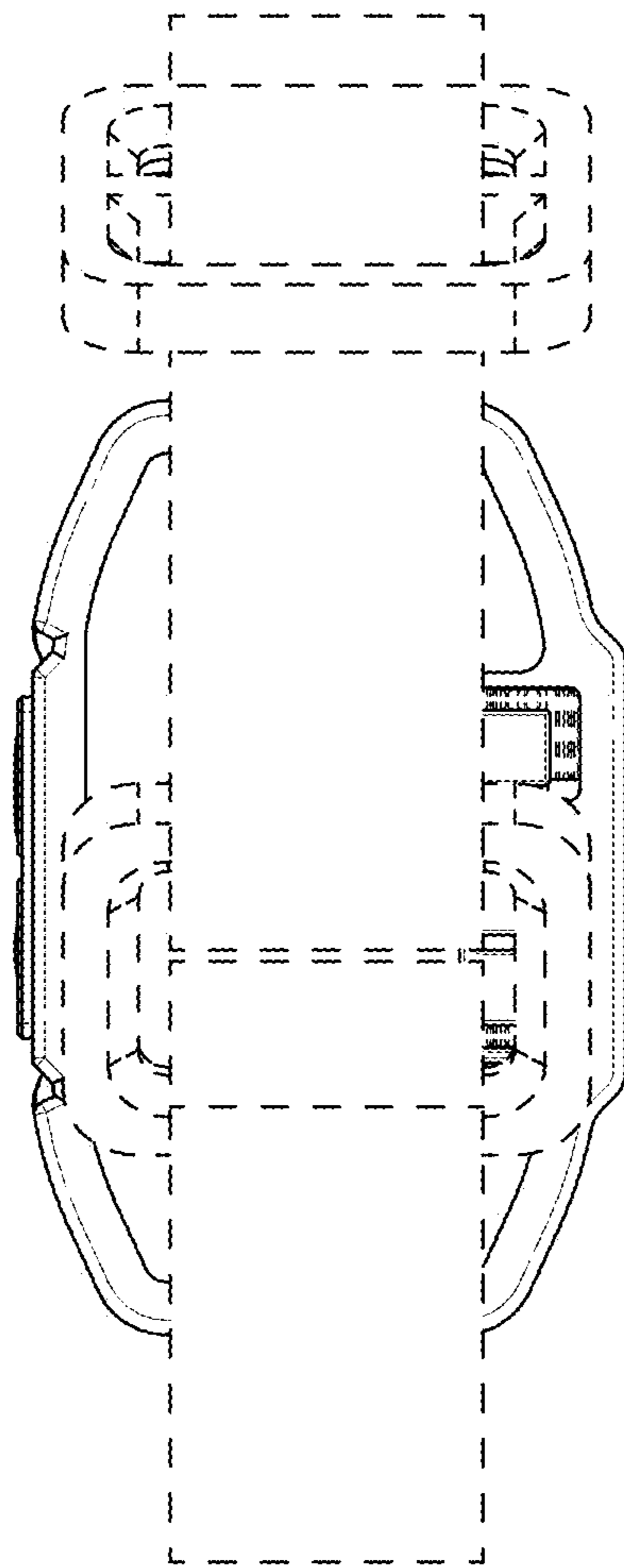


FIG. 4

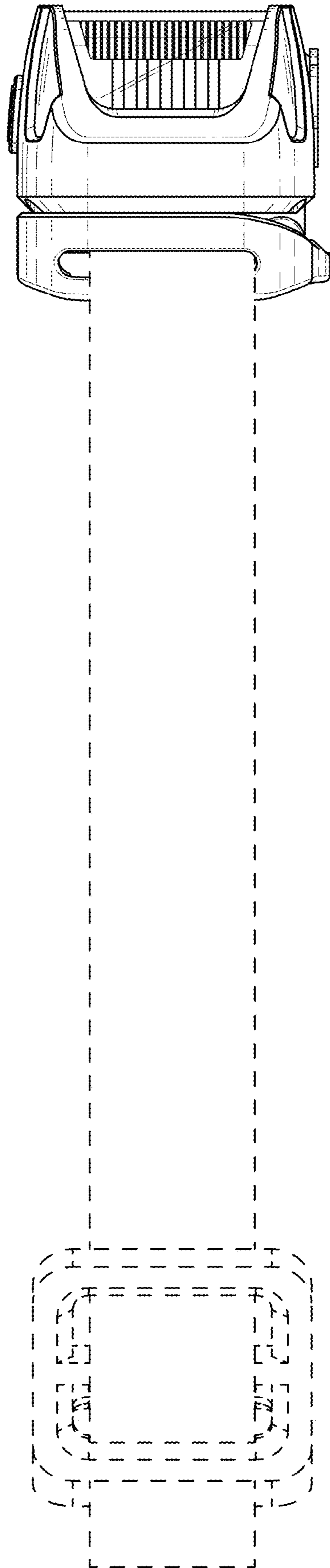


FIG. 5

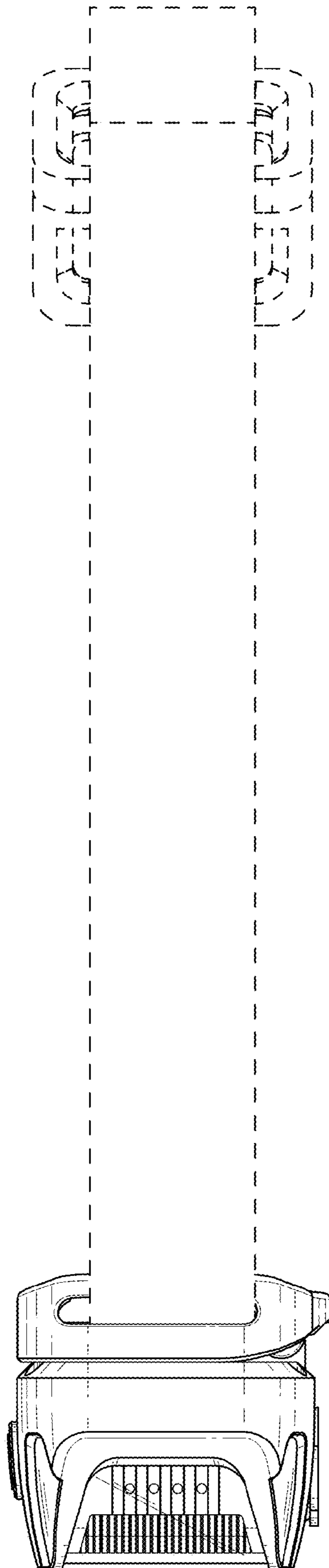


FIG. 6

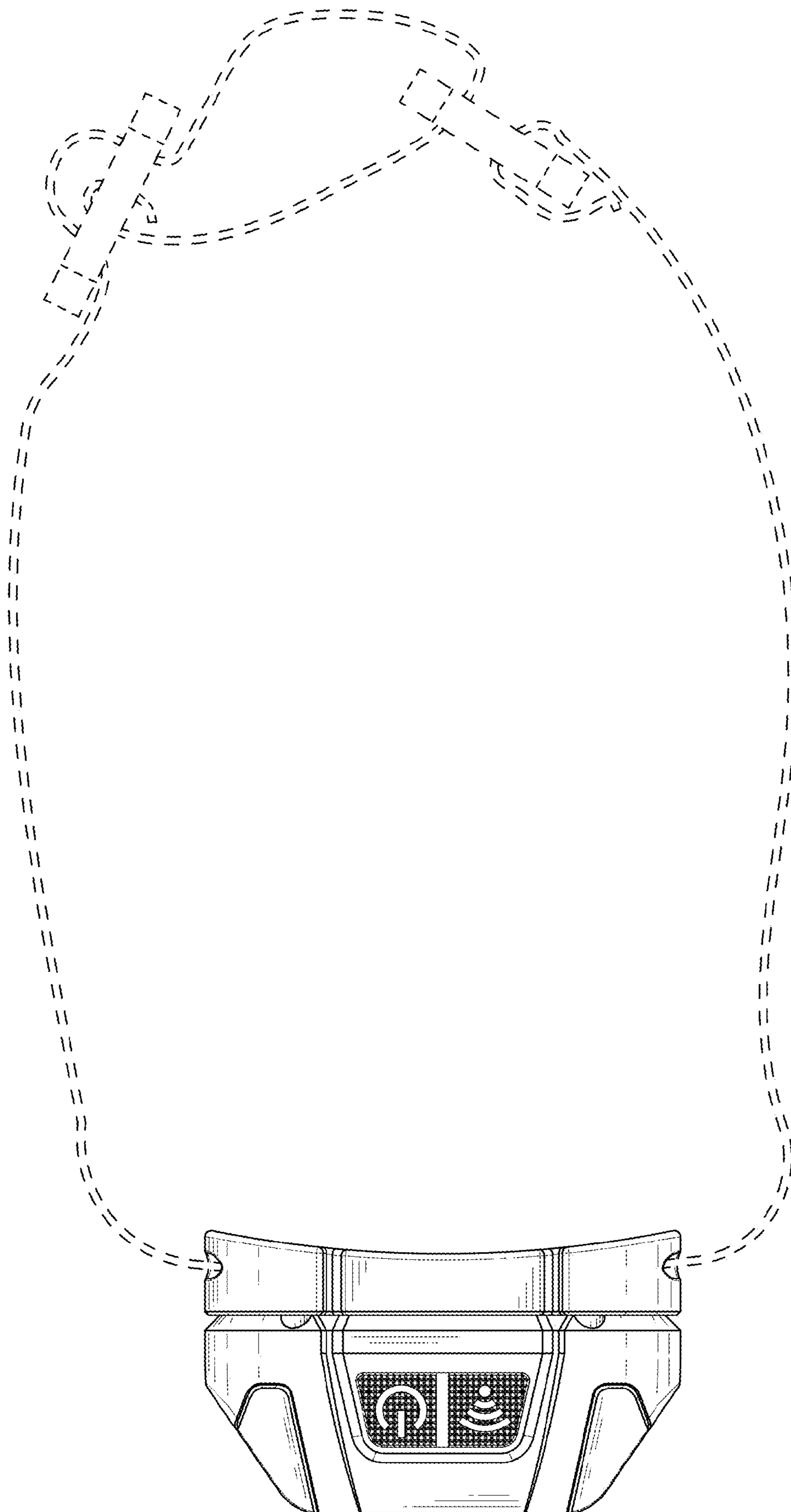


FIG. 7

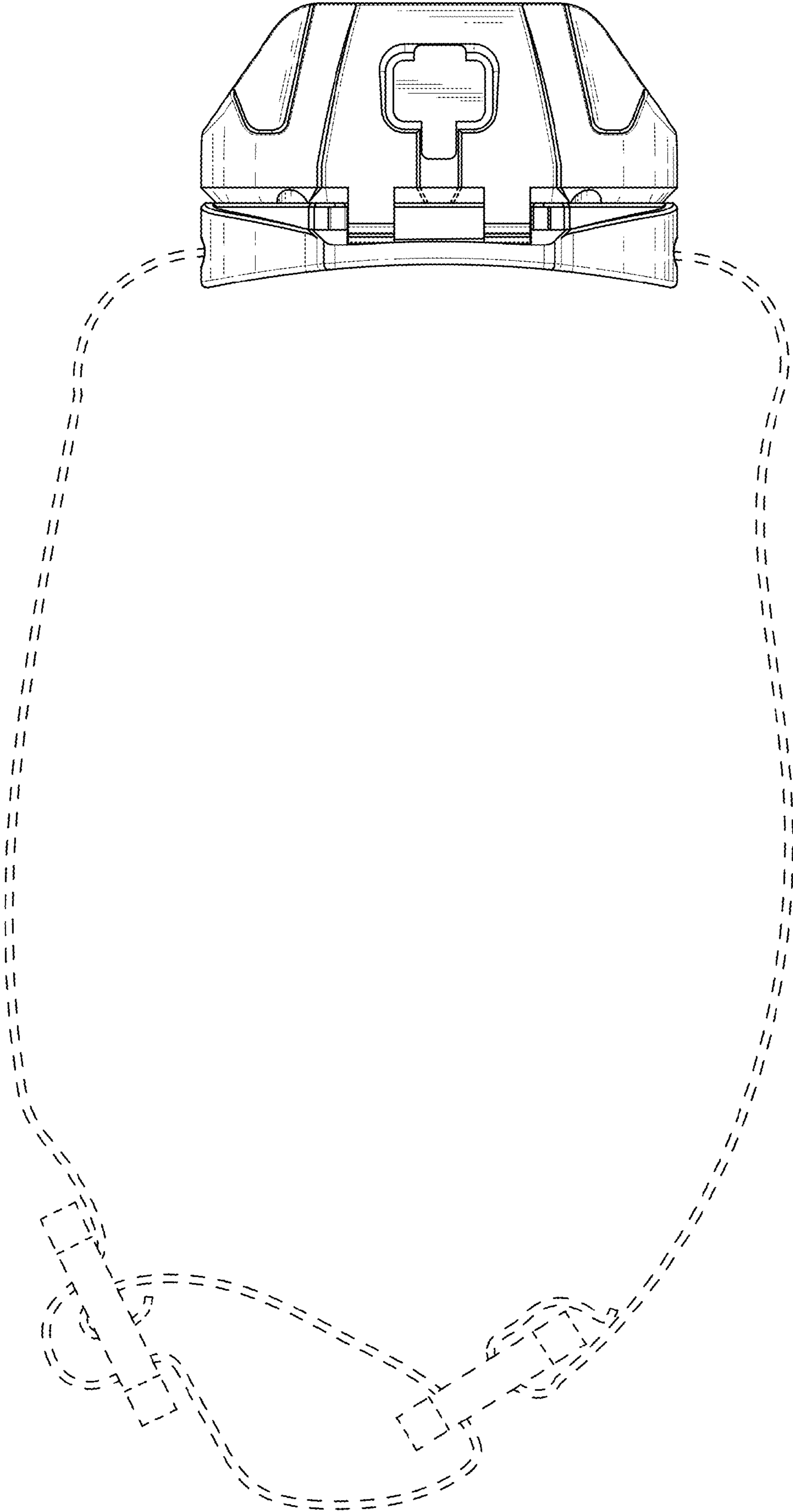


FIG. 8

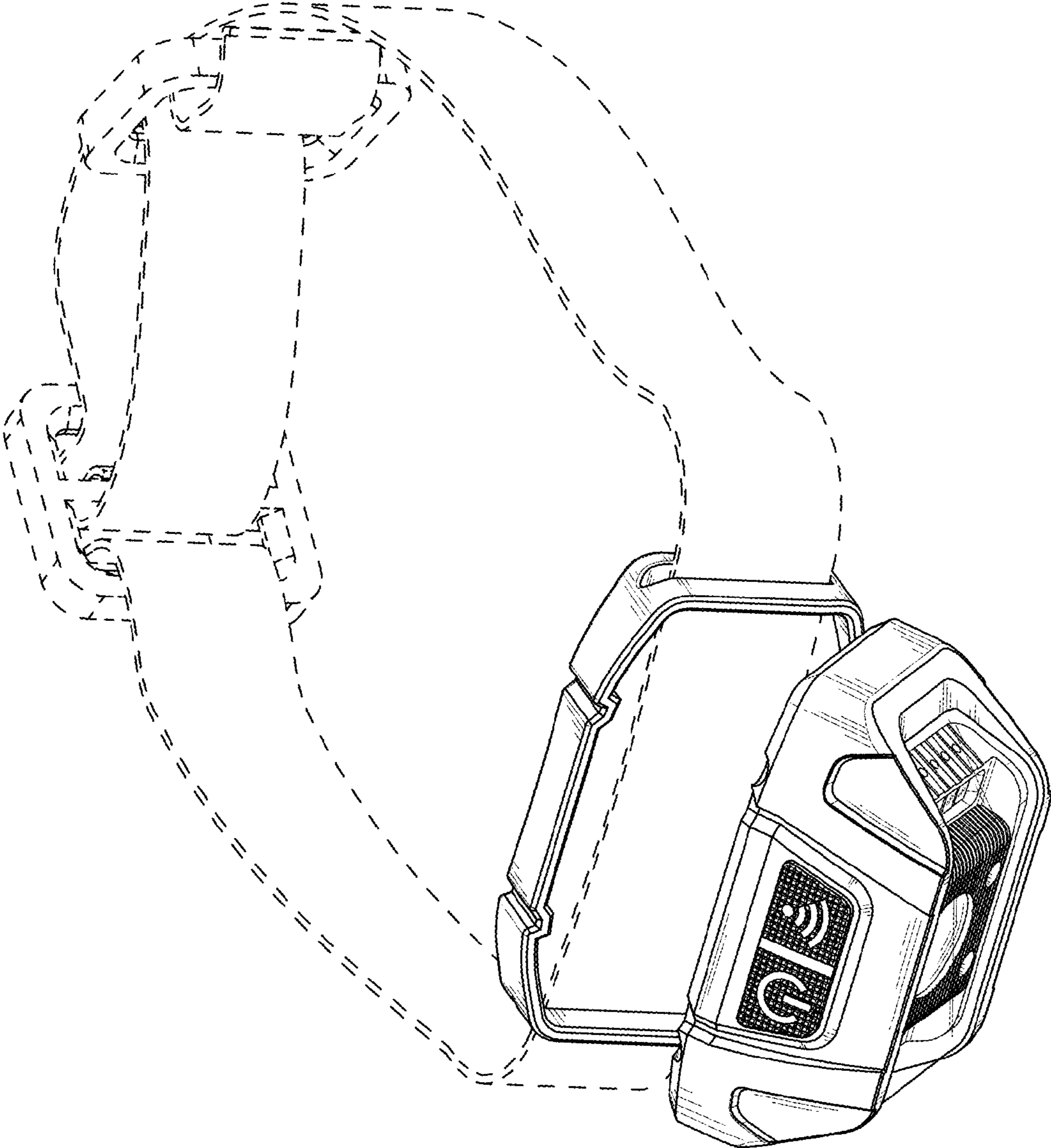


FIG. 9