



US00D962510S

(12) **United States Design Patent** (10) **Patent No.:** **US D962,510 S**
Espejo (45) **Date of Patent:** **** Aug. 30, 2022**

(54) **WEARABLE LIGHT**
(71) Applicant: **EarthSpirits Net Inc.**, Rockaway, NJ
(US)
(72) Inventor: **Michael Espejo**, Morris Plains, NJ
(US)
(73) Assignee: **EarthSpirits Net Inc.**, Rockaway, NJ
(US)

D606,691 S * 12/2009 Lindholm D26/63
D617,931 S * 6/2010 Chen D26/63
D665,935 S * 8/2012 Guinon D26/37
(Continued)

FOREIGN PATENT DOCUMENTS

CN 303379581 * 9/2015
CN 304647594 * 5/2018
EM 001317945-0059 * 7/2012

OTHER PUBLICATIONS

“Rigid Industries 202113 LED Light,” Nov. 19, 2016, amazon.com, site visited May 6, 2021, URL: <https://www.amazon.com/Rigid-Industries-202113-Light-Universal/dp/B074TVQ4LQ/> (Year: 2016).*
(Continued)

Primary Examiner — Eric L Goodman
Assistant Examiner — Sarah L Smith
(74) *Attorney, Agent, or Firm* — Larry E. Henneman, Jr.;
Baker & Rannels, PA

(**) Term: **15 Years**
(21) Appl. No.: **29/710,599**
(22) Filed: **Oct. 24, 2019**
(51) **LOC (13) Cl.** **26-02**
(52) **U.S. Cl.**
USPC **D26/39**; D26/37
(58) **Field of Classification Search**
USPC D26/33–39, 41, 44, 51, 52, 56, 60, 61,
D26/63, 65, 66; D10/111, 114.1, 114.2,
D10/114.3, 114.8, 114.9
CPC F21Y 2115/10; F21Y 2113/13; F21V
23/0414; F21V 21/08; F21V 21/30; F21V
21/0885; F21V 9/083; F21L 4/04; F21L
4/045; F21L 4/005; F21L 4/022; F21L
4/025; F21L 4/027
See application file for complete search history.

(57) **CLAIM**

I claim the ornamental design for a wearable light, as shown.

DESCRIPTION

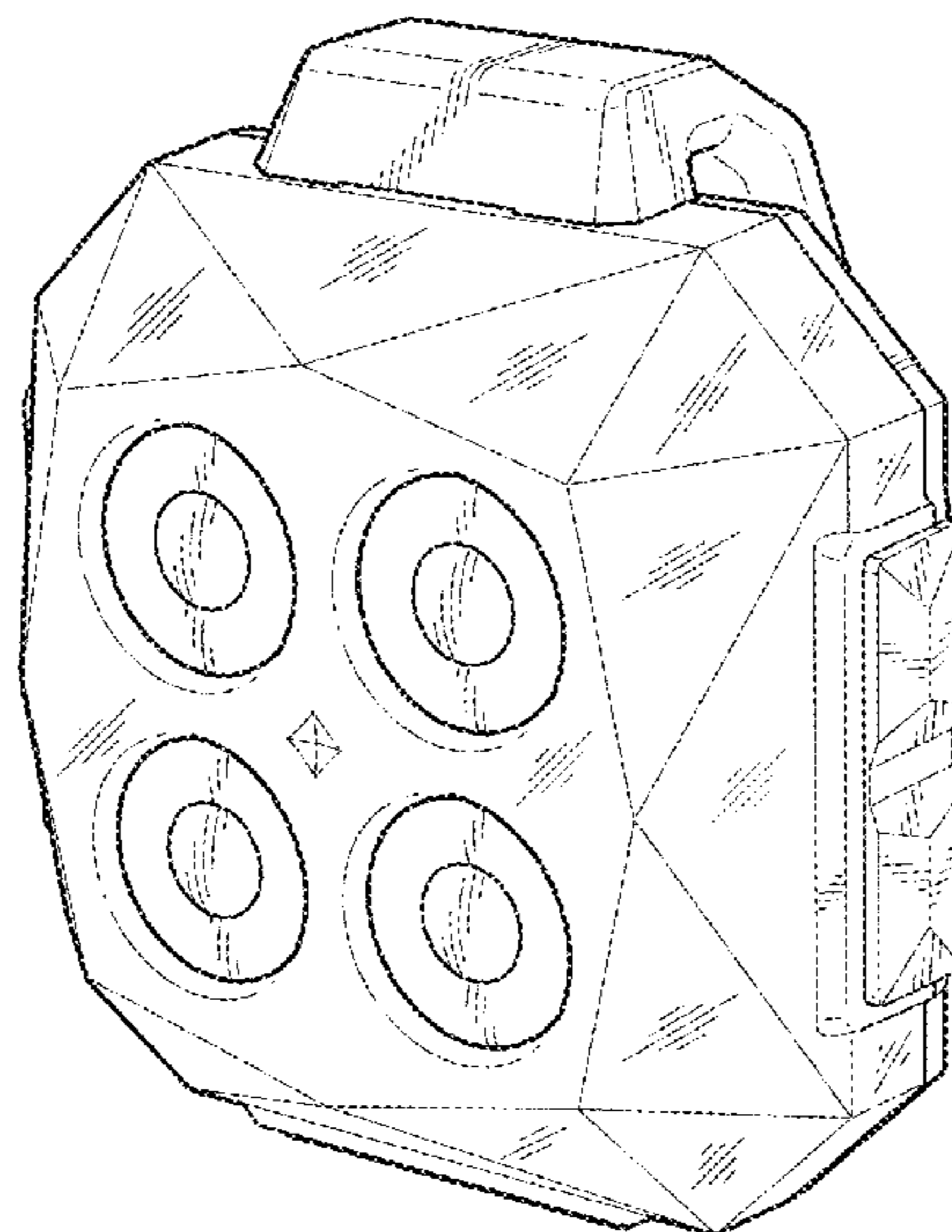
FIG. 1 is a front perspective view of a wearable light, according to the present invention;
FIG. 2 is a rear perspective view of the wearable light of FIG. 1;
FIG. 3 is a front view of the wearable light of FIG. 1;
FIG. 4 is a rear view of the wearable light of FIG. 1;
FIG. 5 is a top view of the wearable light of FIG. 1;
FIG. 6 is a bottom view of the wearable light of FIG. 1;
FIG. 7 is a first side view of the wearable light of FIG. 1; and,
FIG. 8 is a second side view of the wearable light of FIG. 1.

(56) **References Cited**

U.S. PATENT DOCUMENTS

2,124,793 A * 7/1938 Persons G02B 5/126
359/514
3,799,646 A * 3/1974 Footchkar G02B 5/124
359/546
5,469,345 A * 11/1995 Pettersen F21L 4/00
362/188
5,720,543 A * 2/1998 Sheps F21L 15/02
362/196
D534,670 S * 1/2007 Chengfeng D26/37
D544,388 S * 6/2007 Chisholm D10/114.2

1 Claim, 5 Drawing Sheets



(56)

References Cited

U.S. PATENT DOCUMENTS

D698,059 S * 1/2014 Korpi F21L 15/02
D26/63
D698,473 S * 1/2014 Korpi A42B 3/04
D26/63
D747,992 S * 1/2016 Kalinowski D10/114.2
D778,746 S * 2/2017 Renganathan D10/70
D829,951 S * 10/2018 Beghelli F21L 4/00
D26/66
D850,627 S * 6/2019 Purani D24/186
D875,981 S * 2/2020 Xiao D26/60
D894,460 S * 8/2020 Yu G02B 5/124
D26/63
D898,969 S * 10/2020 Chen G02B 5/126
D26/63
2008/0237422 A1 * 10/2008 Dalton A42B 3/04
248/229.1

OTHER PUBLICATIONS

Jason Van Horn, "Review: Knog Blinder LED Lights," Sep. 29, 2017, bermstyle.com, site visited May 7, 2021, URL: <https://bermstyle.com/knog-blinder-led-lights-review/> (Year: 2017).*

"USB Rechargeable LED Bike Tail Light," Aug. 30, 2019, amazon.com, site visited May 6, 2021, URL: <https://www.amazon.com/Rechargeable-CUBELITE-Induction-Waterproof-Detachable/dp/B07X86BF5C/> (Year: 2019).*

* cited by examiner

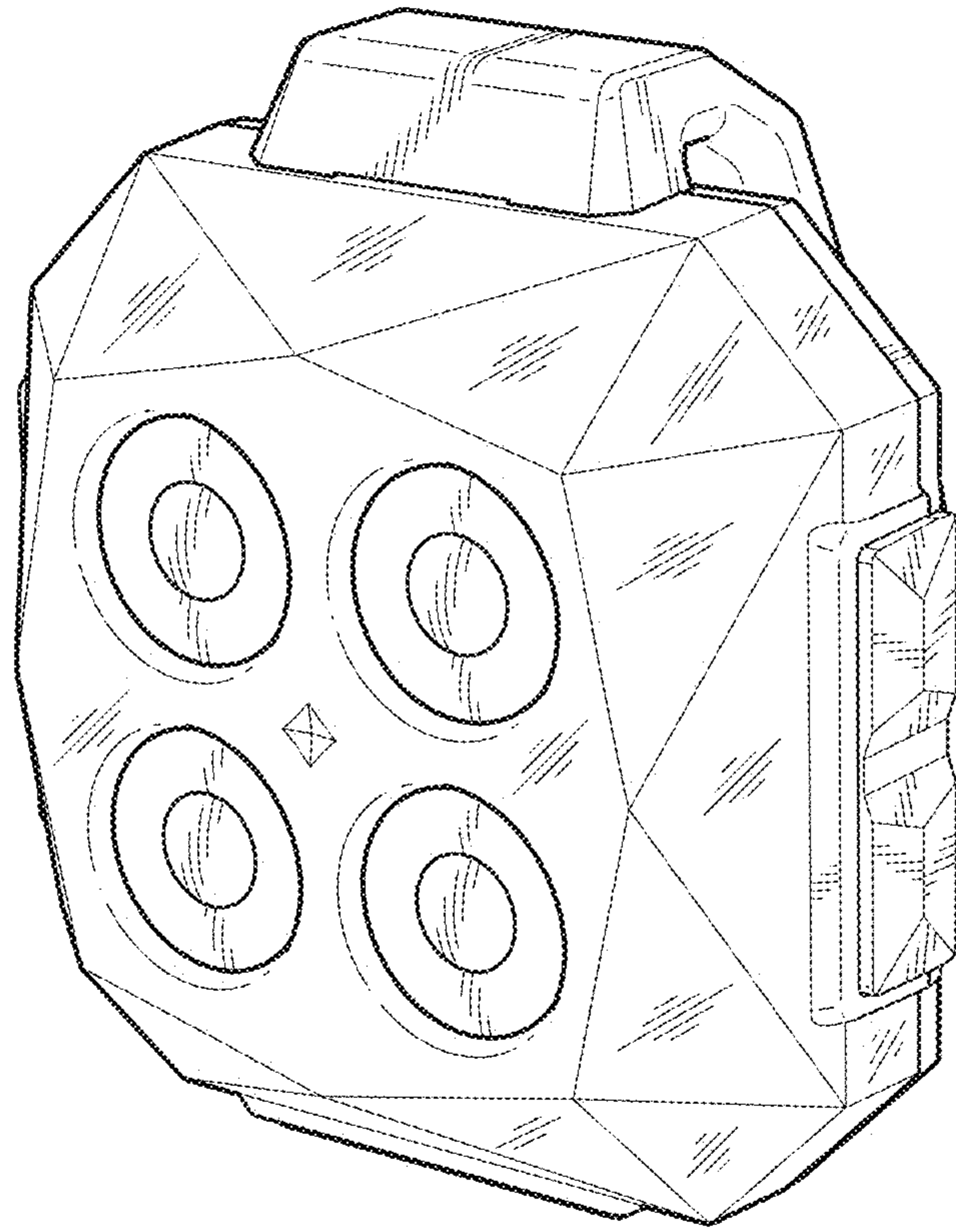


FIG. 1

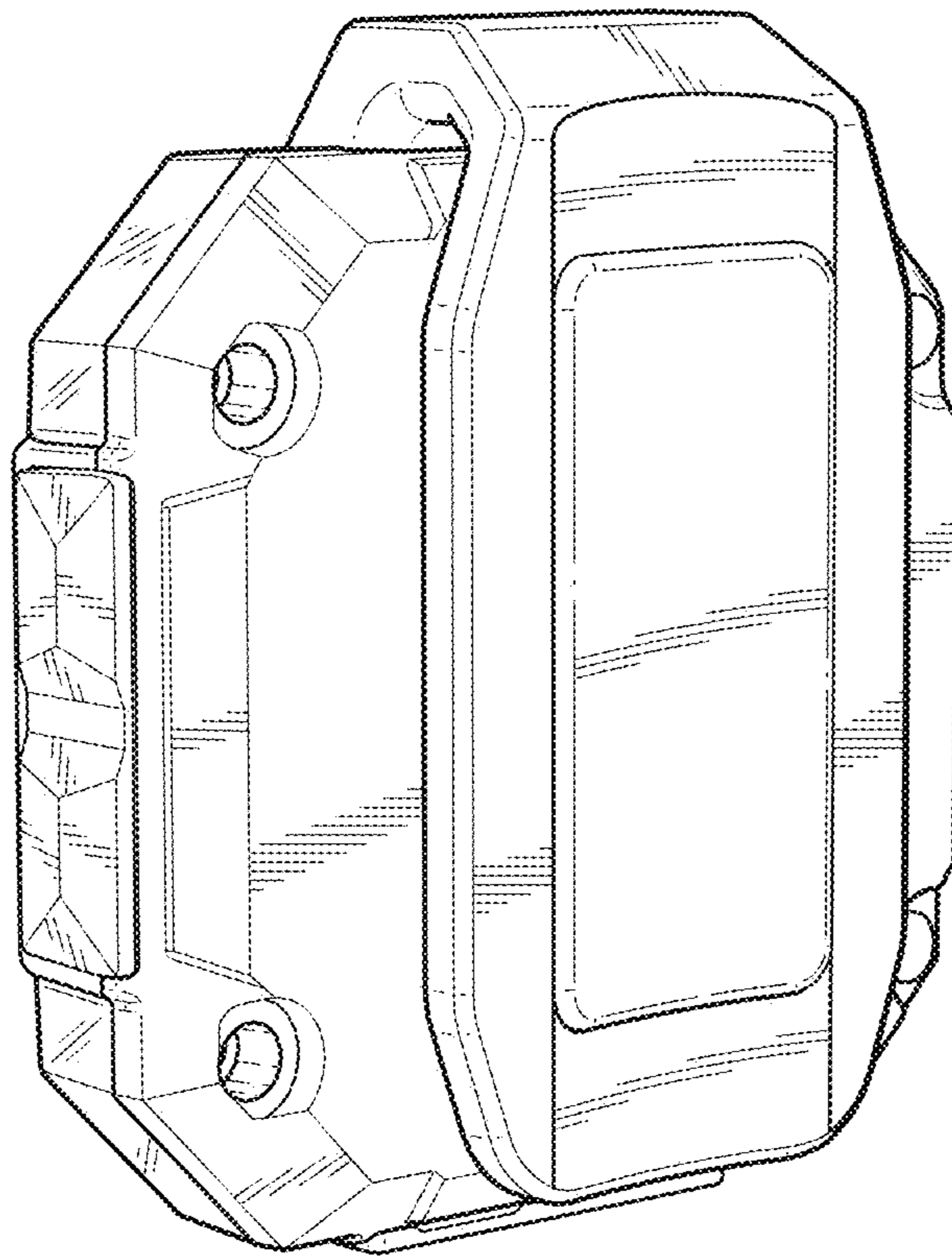


FIG. 2

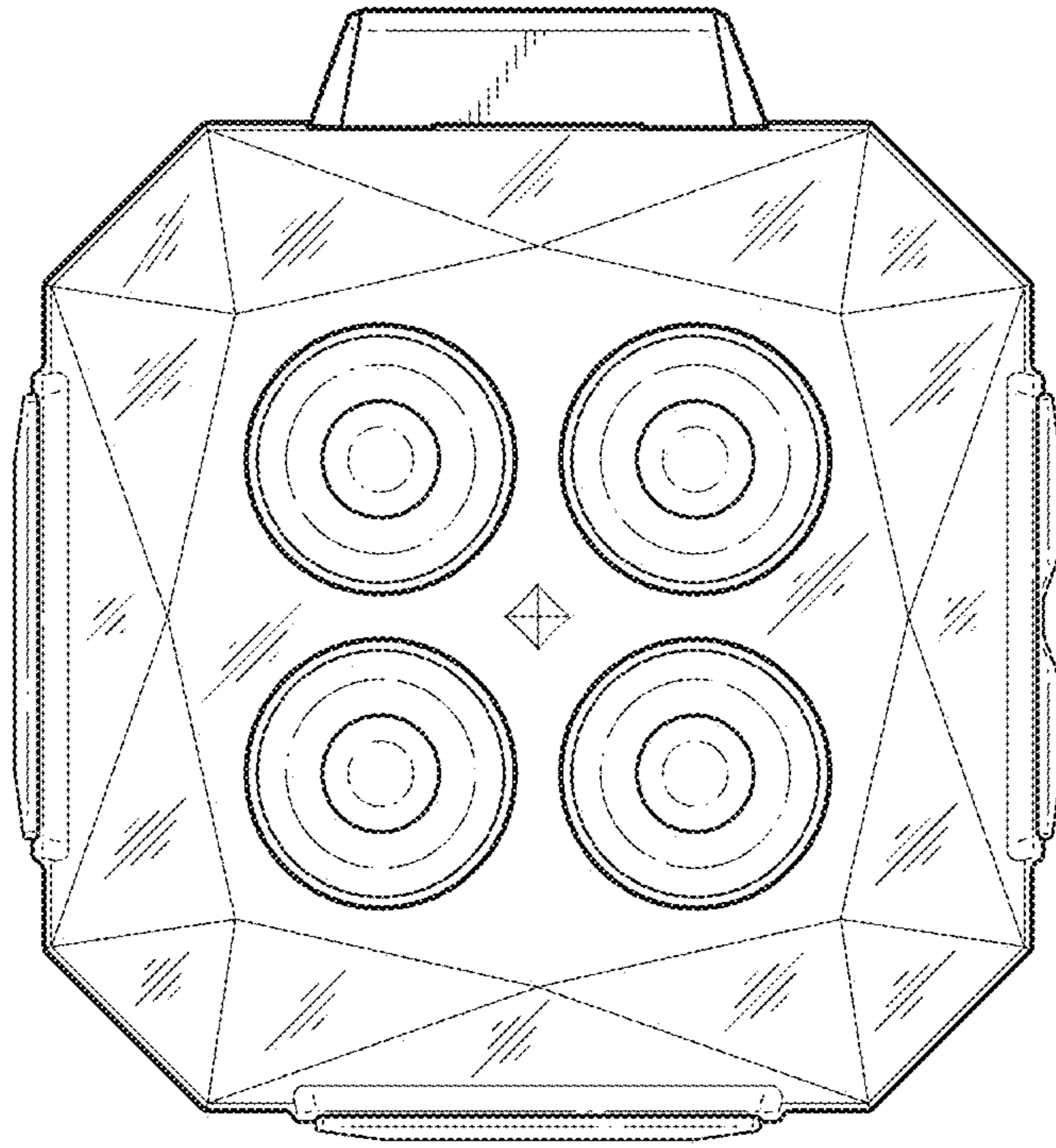


FIG. 3

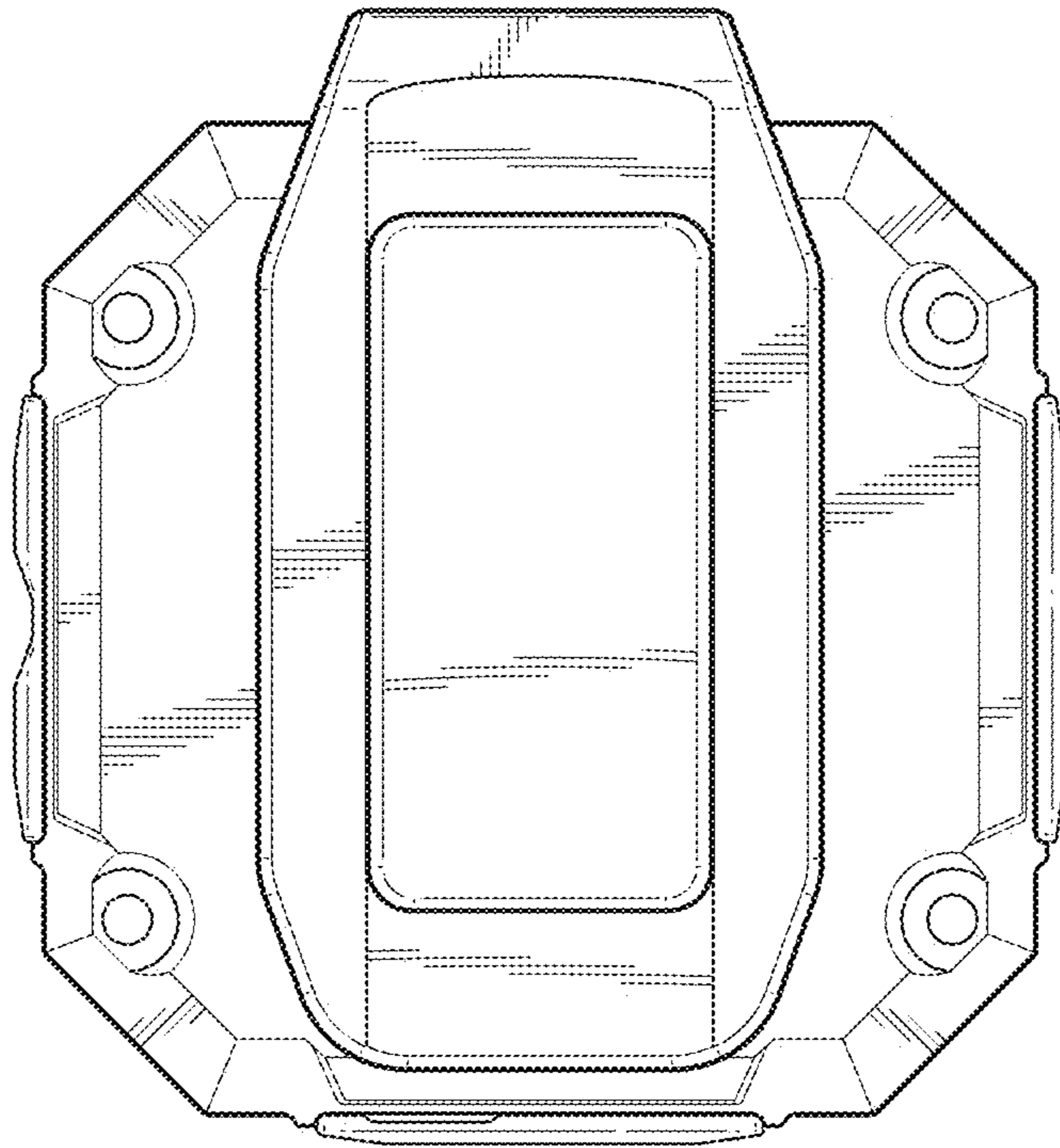


FIG. 4

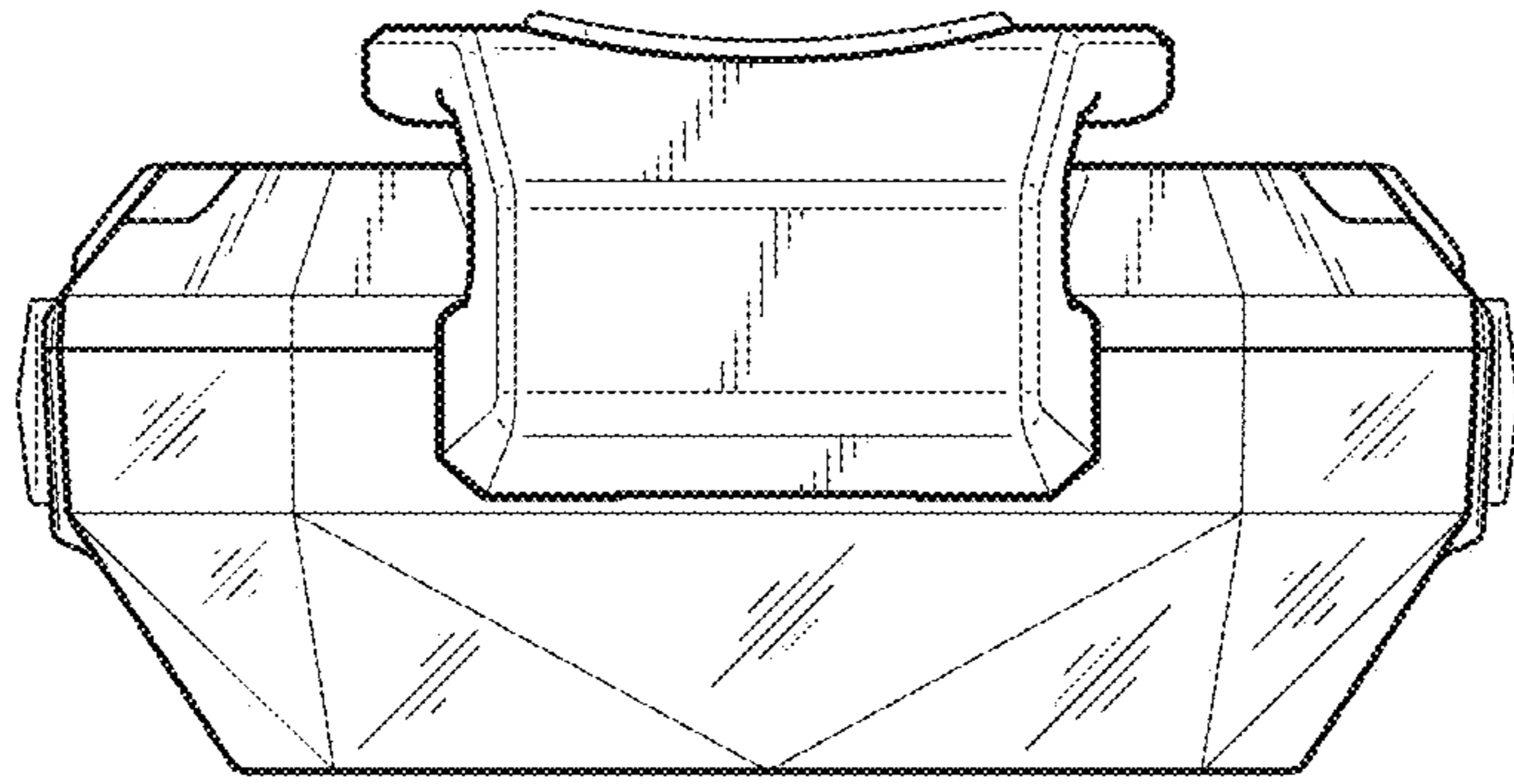


FIG. 5

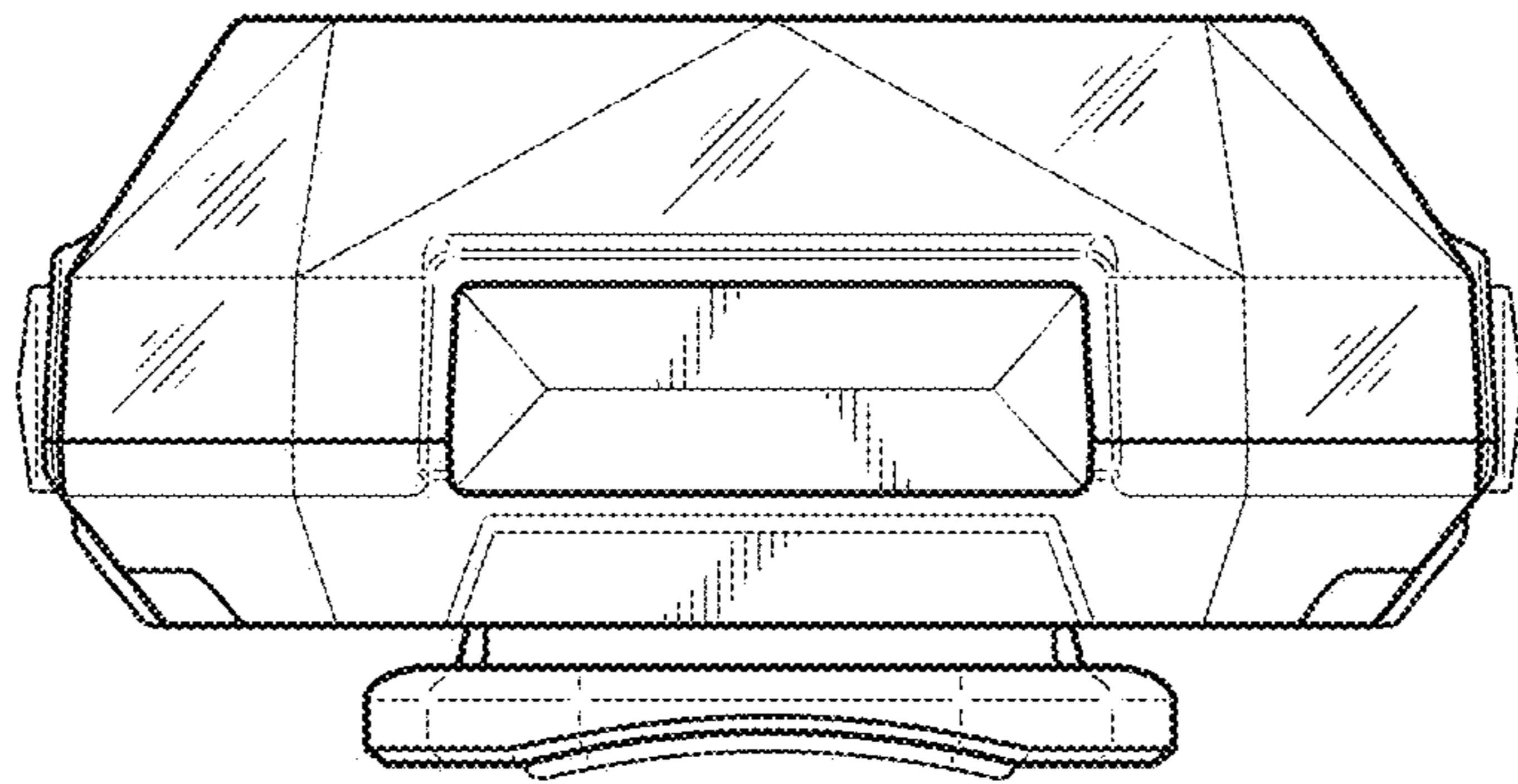


FIG. 6

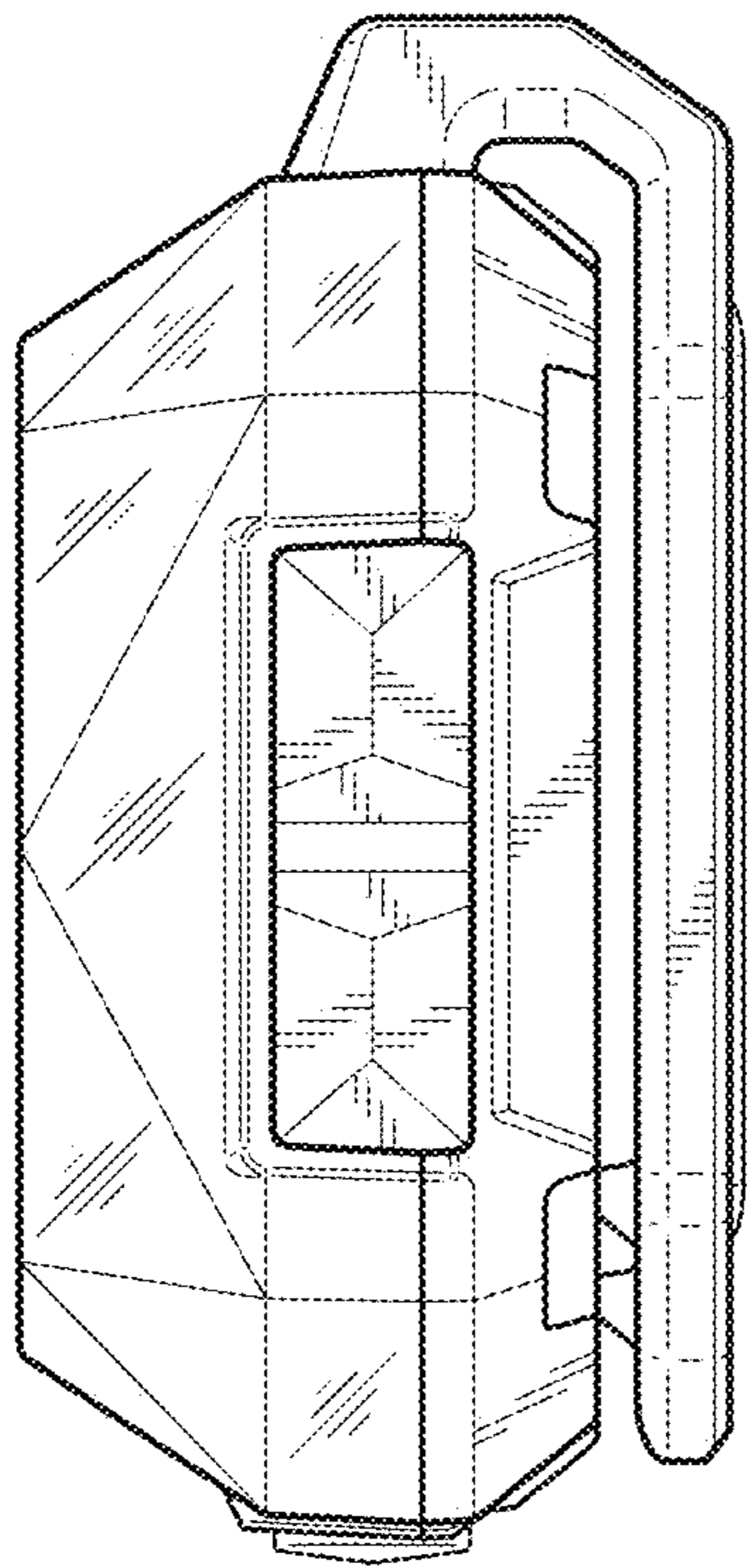


FIG. 7

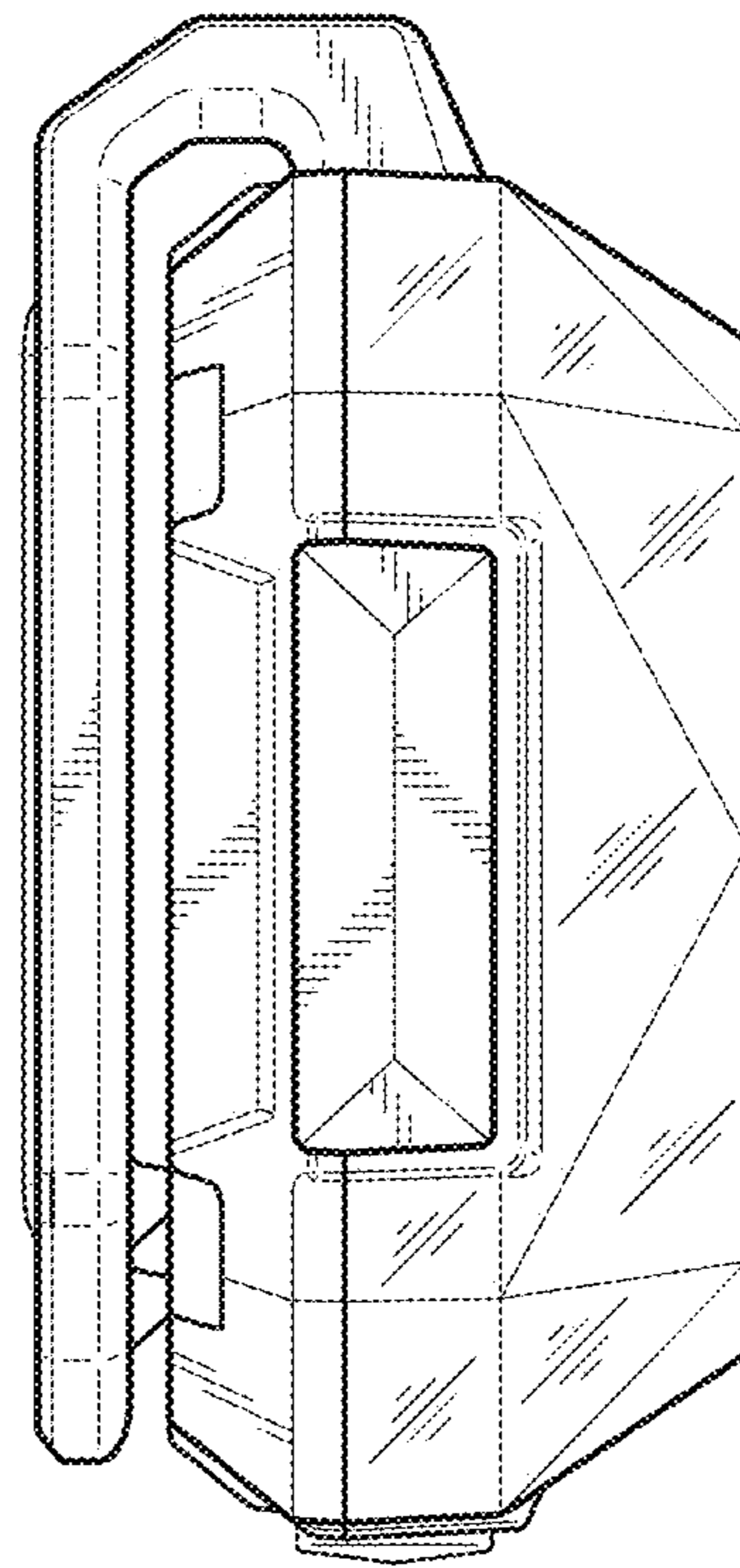


FIG. 8