

US00D962506S

(12) **United States Design Patent**  
**He**

(10) **Patent No.:** **US D962,506 S**

(45) **Date of Patent:** **\*\* Aug. 30, 2022**

(54) **VEHICLE HEADLIGHT**

(71) Applicant: **Arex Industries, Inc.**, Irwindale, CA  
(US)

(72) Inventor: **Mizeng He**, TaiZhou (CN)

(\*\*) Term: **15 Years**

(21) Appl. No.: **29/769,046**

(22) Filed: **Feb. 3, 2021**

(51) **LOC (13) Cl.** ..... **26-06**

(52) **U.S. Cl.**

USPC ..... **D26/28**

(58) **Field of Classification Search**

USPC ..... D26/28-36, 139

CPC ..... F21S 48/00; F21S 48/10; F21S 48/115;

F21S 48/225; F21S 48/1233; F21S

48/1266; F21S 48/1388; F21S 48/2268;

F21V 5/00; F21V 21/04; F21V 29/004;

B60Q 9/13; B60Q 9/135; B60Q 9/1375;

F21W 2102/17; F21W 2103/00; F21W

2103/35; F21W 2103/55; F21W 2107/13;

F21W 2107/17

See application file for complete search history.

(56) **References Cited**

U.S. PATENT DOCUMENTS

D765,282 S \* 8/2016 Lai ..... D26/28

D797,332 S \* 9/2017 Lin ..... D26/28

D809,682 S \* 2/2018 Lin ..... D26/28

D884,227 S \* 5/2020 He ..... D26/28

D921,939 S \* 6/2021 He ..... D26/28

D921,942 S \* 6/2021 Lin ..... D26/28

D921,944 S \* 6/2021 Lin ..... D26/28

D929,624 S \* 8/2021 Yang ..... D26/28

\* cited by examiner

*Primary Examiner* — Marcus A Jackson

(74) *Attorney, Agent, or Firm* — Theodore S. Lee, Esq.

(57) **CLAIM**

The ornamental design for a vehicle headlight, as shown and described.

**DESCRIPTION**

FIG. 1 is a perspective view of a vehicle headlight according to the novel design;

FIG. 2 is left side view thereof;

FIG. 3 is a front view thereof;

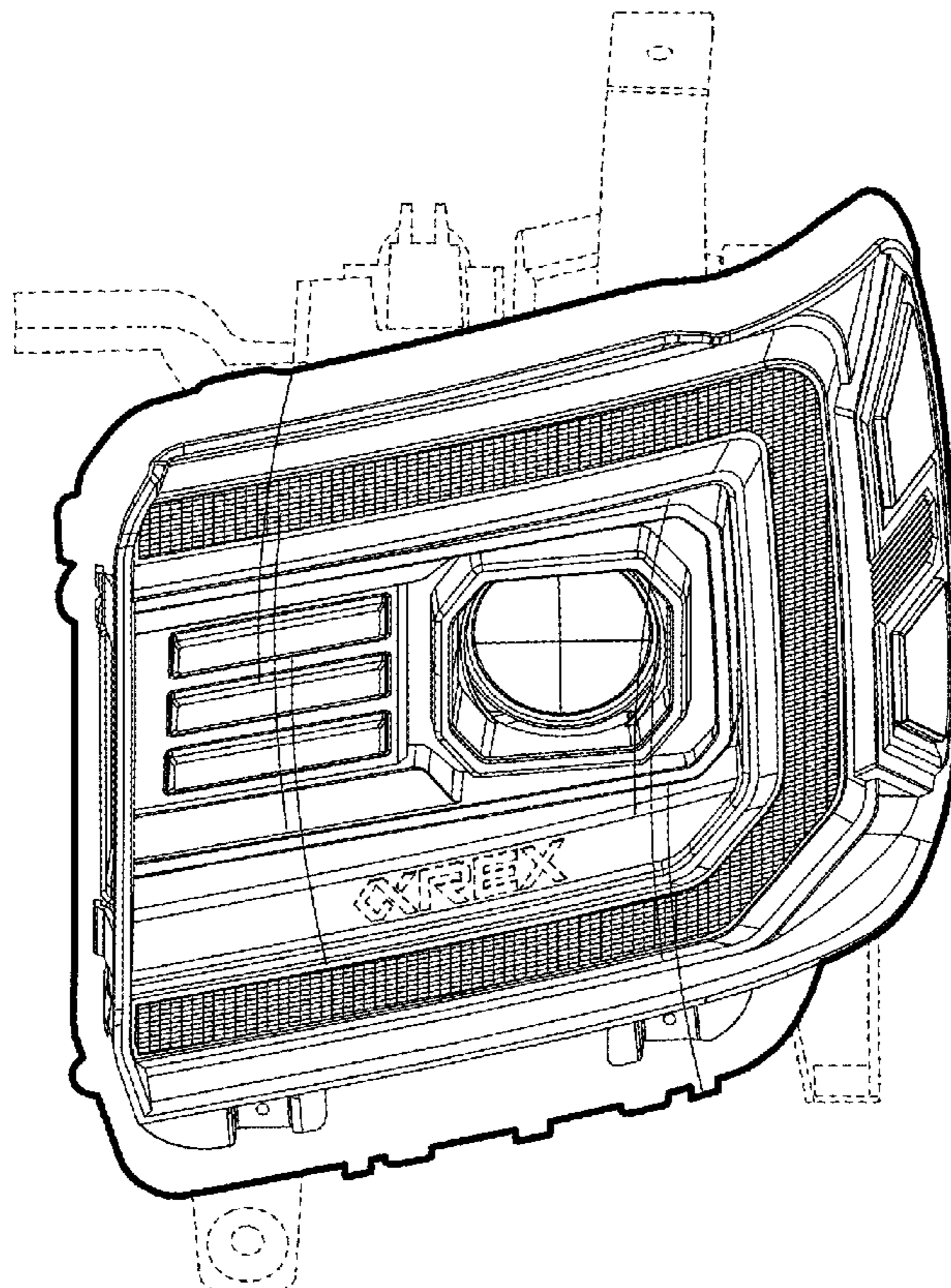
FIG. 4 is a right side view thereof;

FIG. 5 is an alternative perspective view thereof; and,

FIG. 6 is a top view thereof.

The drawings and descriptions represent the right side embodiment. The claim is also for a mirror image of a left side embodiment that is not shown.

**1 Claim, 6 Drawing Sheets**



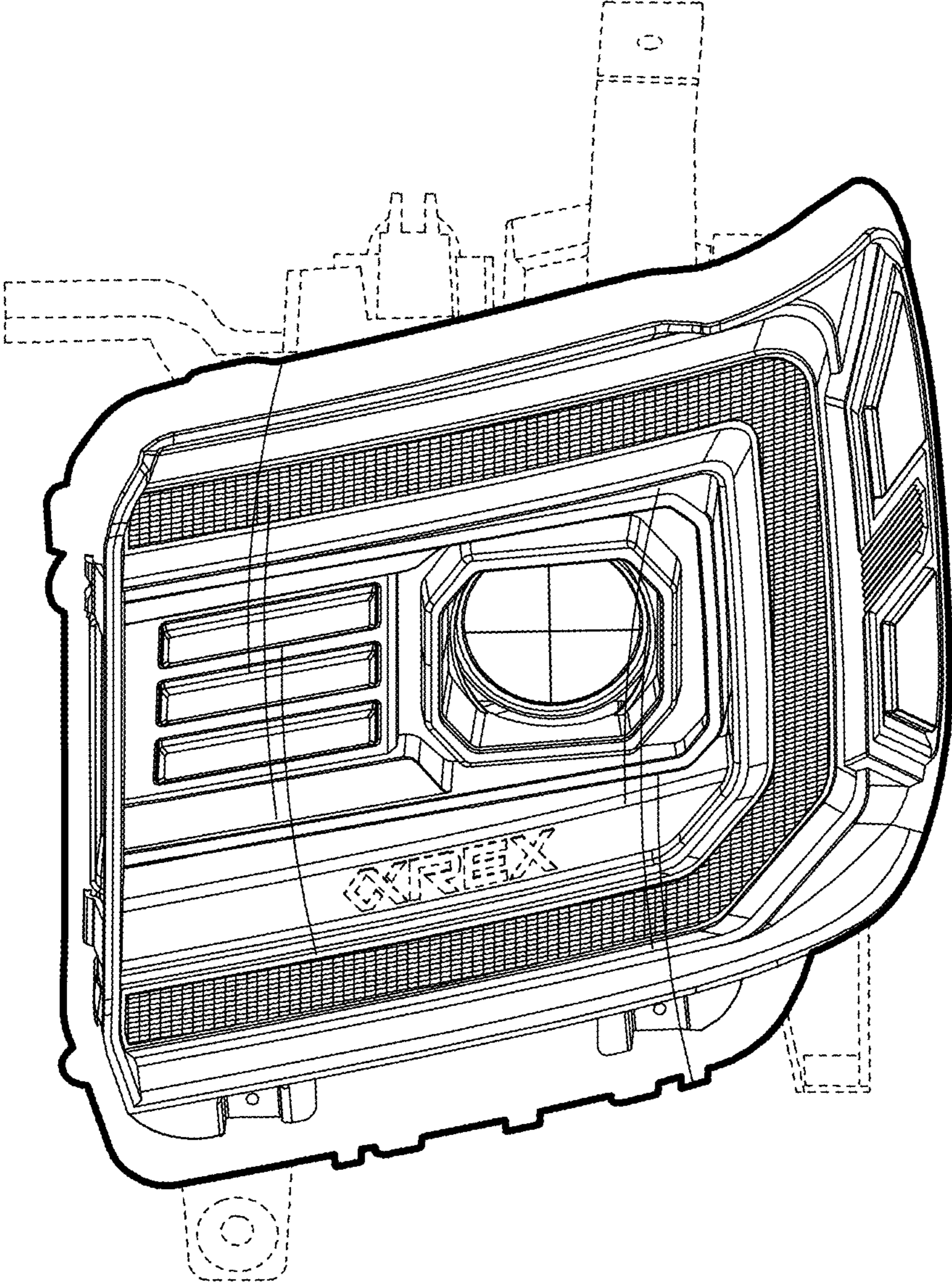


FIG. 1

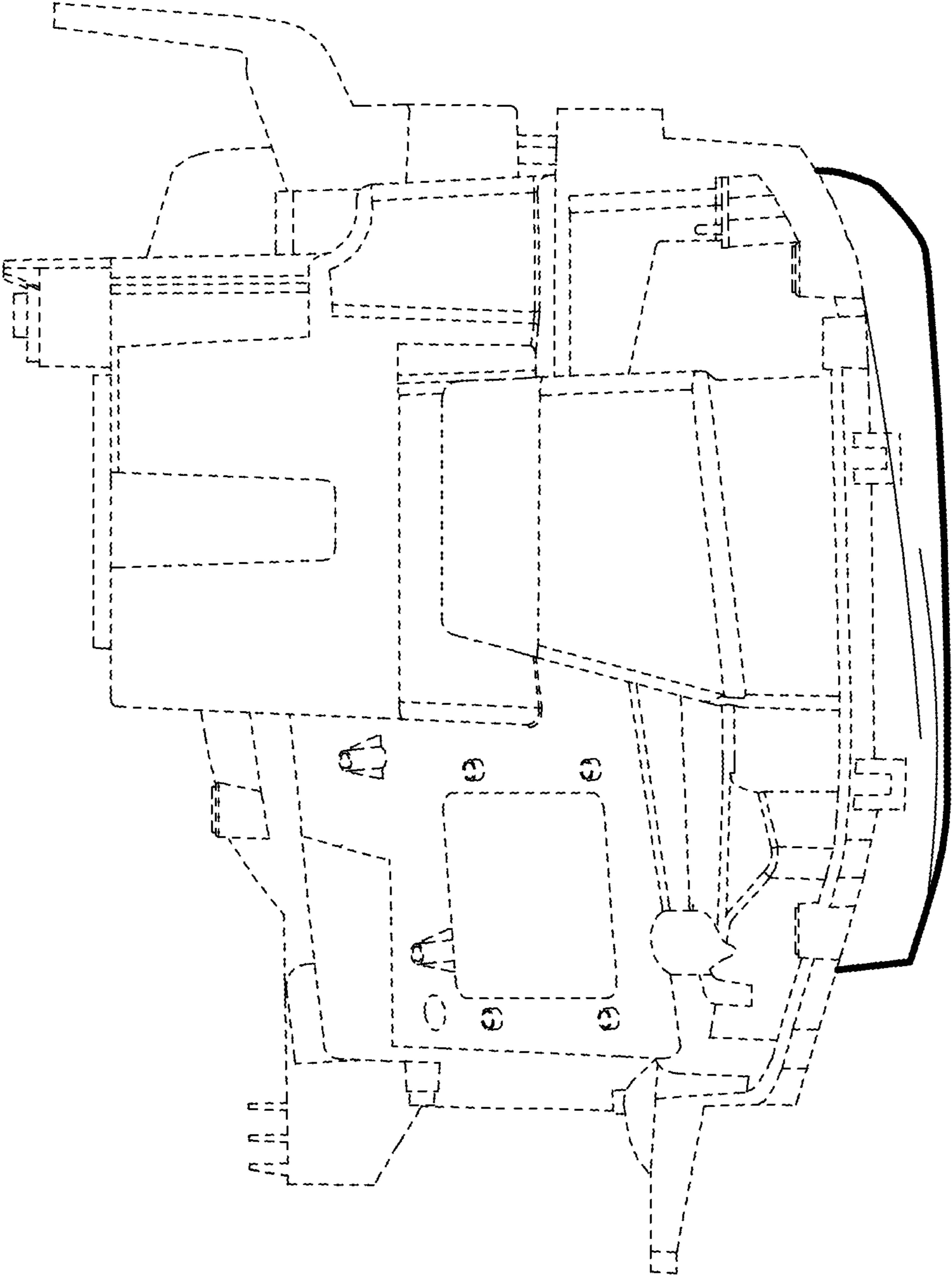


FIG. 2

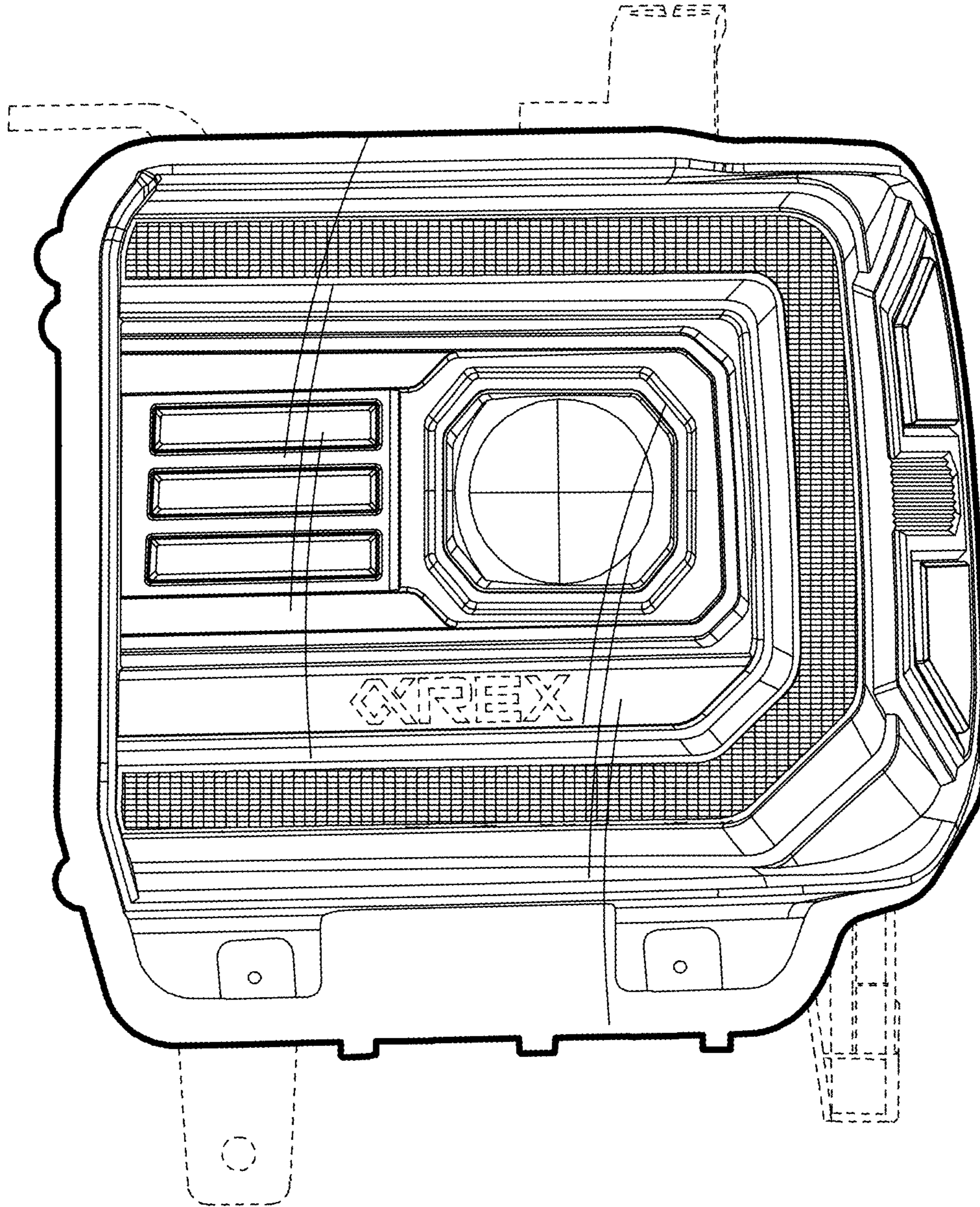


FIG. 3

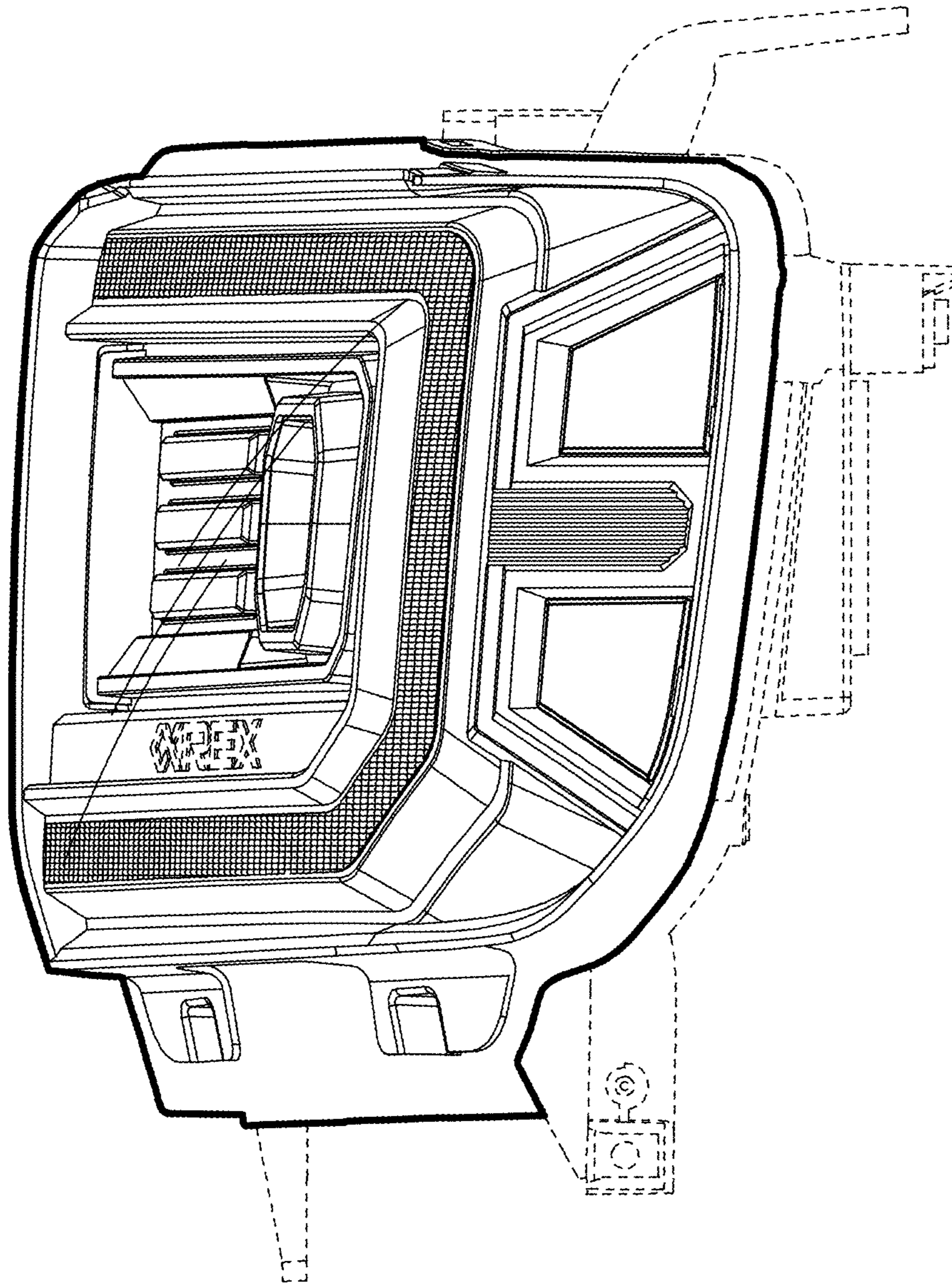


FIG. 4

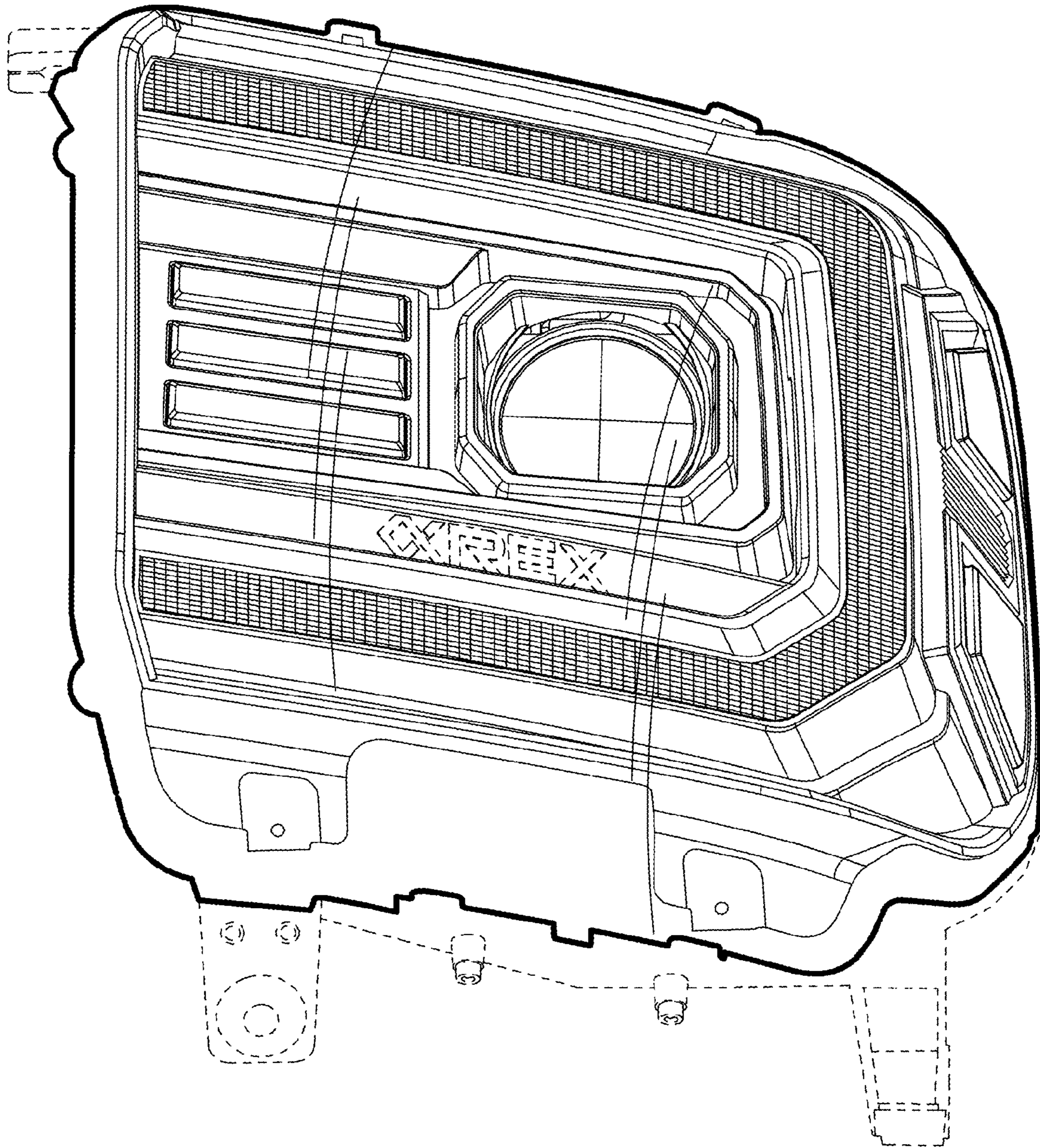


FIG. 5

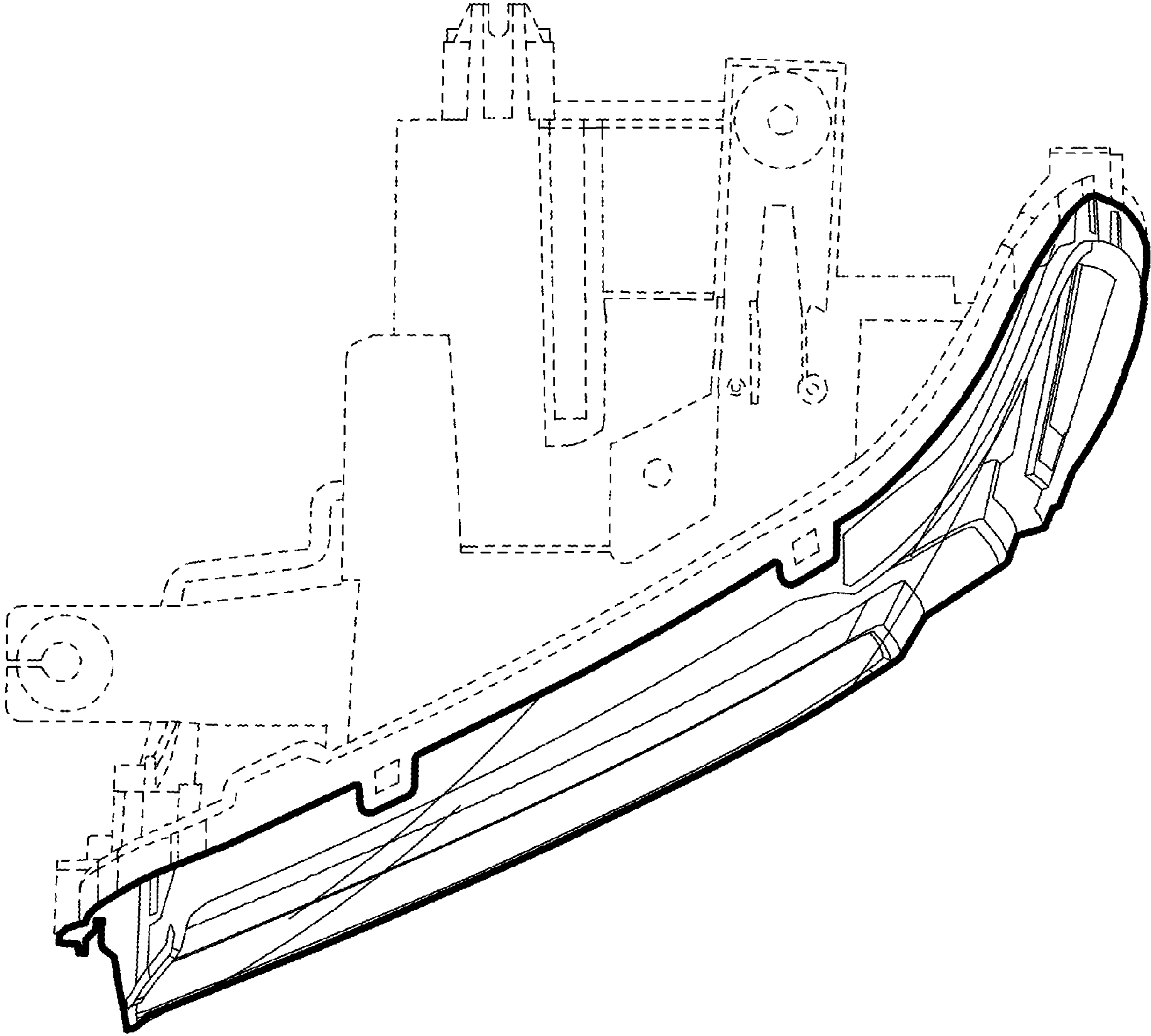


FIG. 6