



US00D962504S

(12) **United States Design Patent** (10) **Patent No.:** **US D962,504 S**
Xie (45) **Date of Patent:** **** Aug. 30, 2022**

(54) **TAILLIGHT**

D796,095 S * 8/2017 Huang D26/28
D800,933 S * 10/2017 Chiu D26/28
D852,994 S * 7/2019 Morgenstern D26/28
D857,264 S * 8/2019 Goodrich D26/28

(71) Applicant: **Yumin Xie**, Yulin (CN)

(72) Inventor: **Yumin Xie**, Yulin (CN)

* cited by examiner

(**) Term: **15 Years**

Primary Examiner — Marcus A Jackson

(21) Appl. No.: **29/767,596**

(22) Filed: **Jan. 24, 2021**

(30) **Foreign Application Priority Data**

Sep. 11, 2020 (CN) 202030539602.0

(51) **LOC (13) Cl.** **26-06**

(52) **U.S. Cl.**
USPC **D26/28**

(58) **Field of Classification Search**
USPC D26/28-36, 139
CPC F21S 48/00; F21S 48/10; F21S 48/115;
F21S 48/225; F21S 48/1233; F21S
48/1266; F21S 48/1388; F21S 48/2268;
F21V 5/00; F21V 21/04; F21V 29/004;
B60Q 9/13; B60Q 9/135; B60Q 9/1375;
F21W 2102/17; F21W 2103/00; F21W
2103/35; F21W 2103/55; F21W 2107/13;
F21W 2107/17

See application file for complete search history.

(56) **References Cited**

U.S. PATENT DOCUMENTS

D685,936 S * 7/2013 Suzuki D26/28
D765,285 S * 8/2016 Lai D26/28

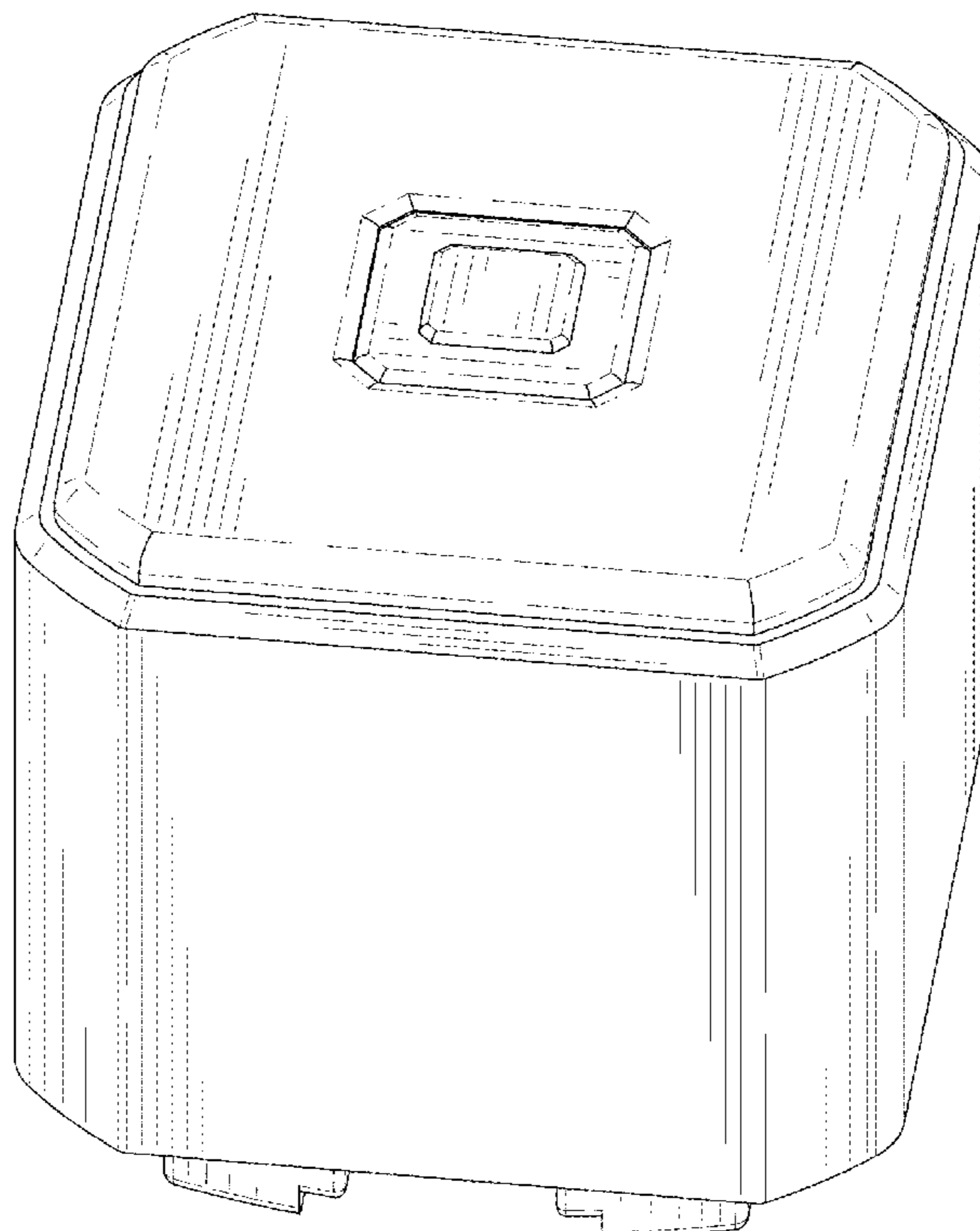
(57) **CLAIM**

The ornamental design for a taillight, as shown and described.

DESCRIPTION

FIG. 1 is a perspective view of a taillight showing my new design;
FIG. 2 is another perspective view thereof;
FIG. 3 is a front elevational view thereof;
FIG. 4 is a rear elevational view thereof;
FIG. 5 is a left side elevational view thereof;
FIG. 6 is a right side elevational view thereof;
FIG. 7 is a top plan view thereof;
FIG. 8 is a bottom plan view thereof;
FIG. 9 is a perspective view of the taillight on a cradle; and,
FIG. 10 is another perspective view of the taillight on a cradle.
The broken lines in the drawings are for the purpose of illustrating portions of the taillight that form no part of the claimed design.

1 Claim, 10 Drawing Sheets



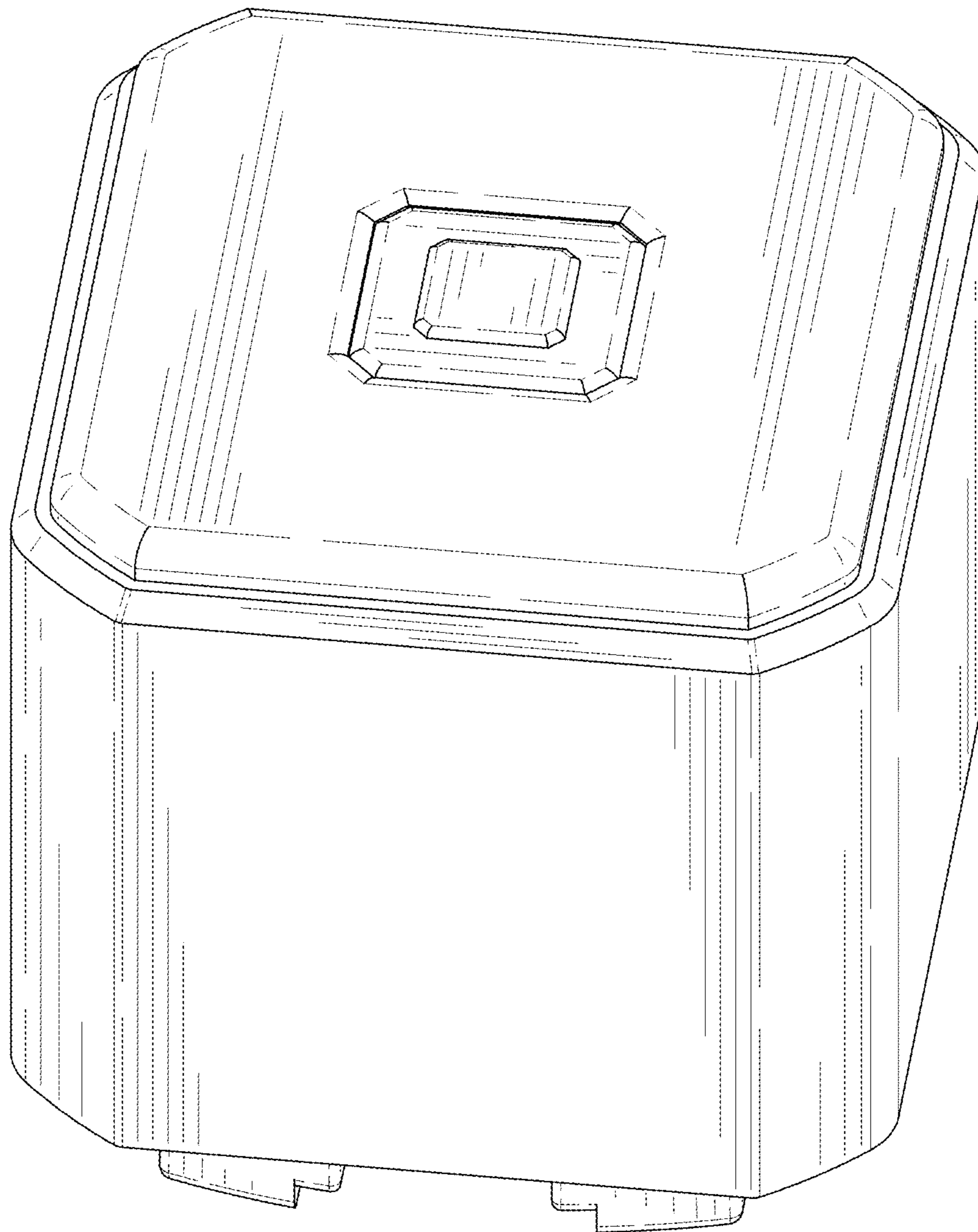


FIG. 1

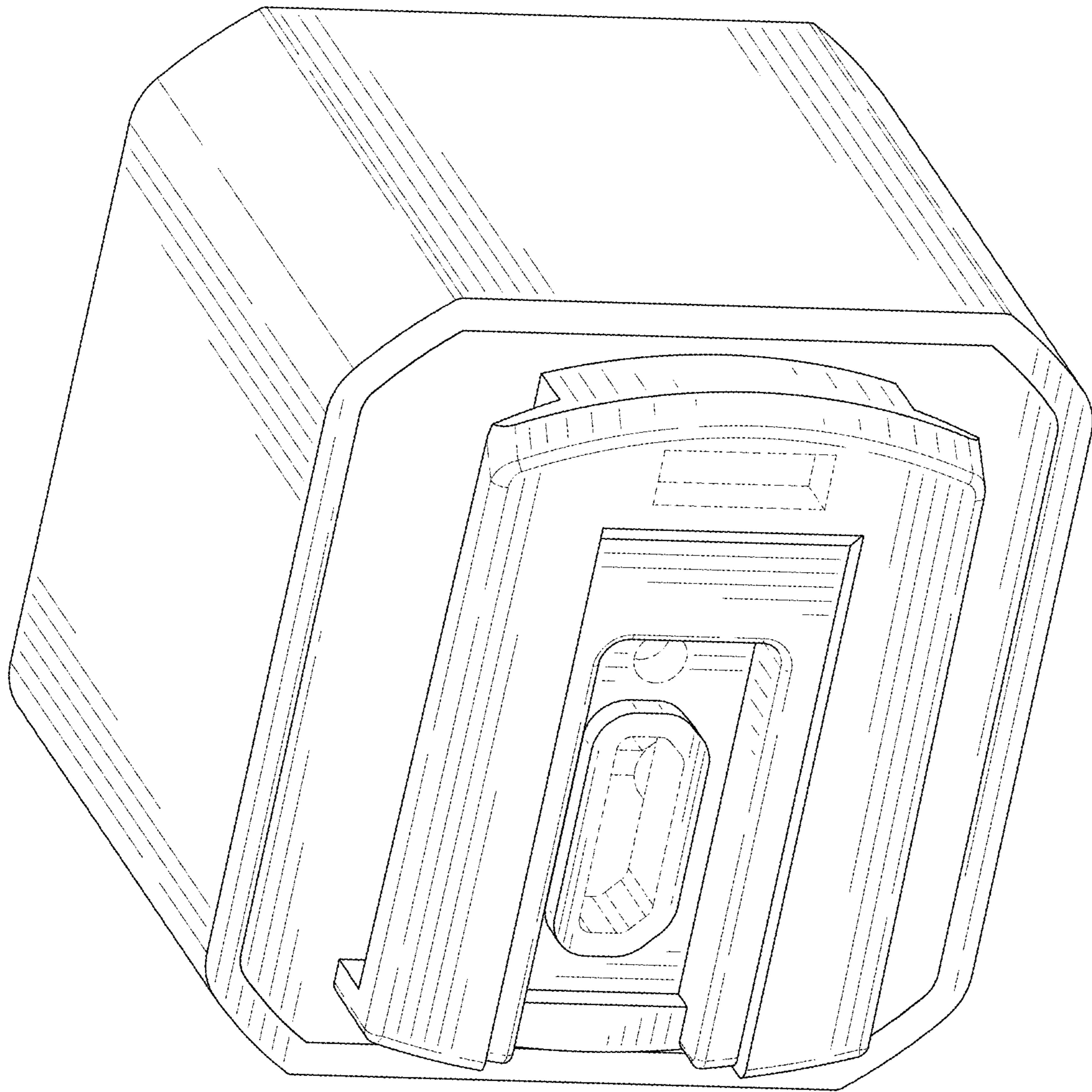


FIG. 2

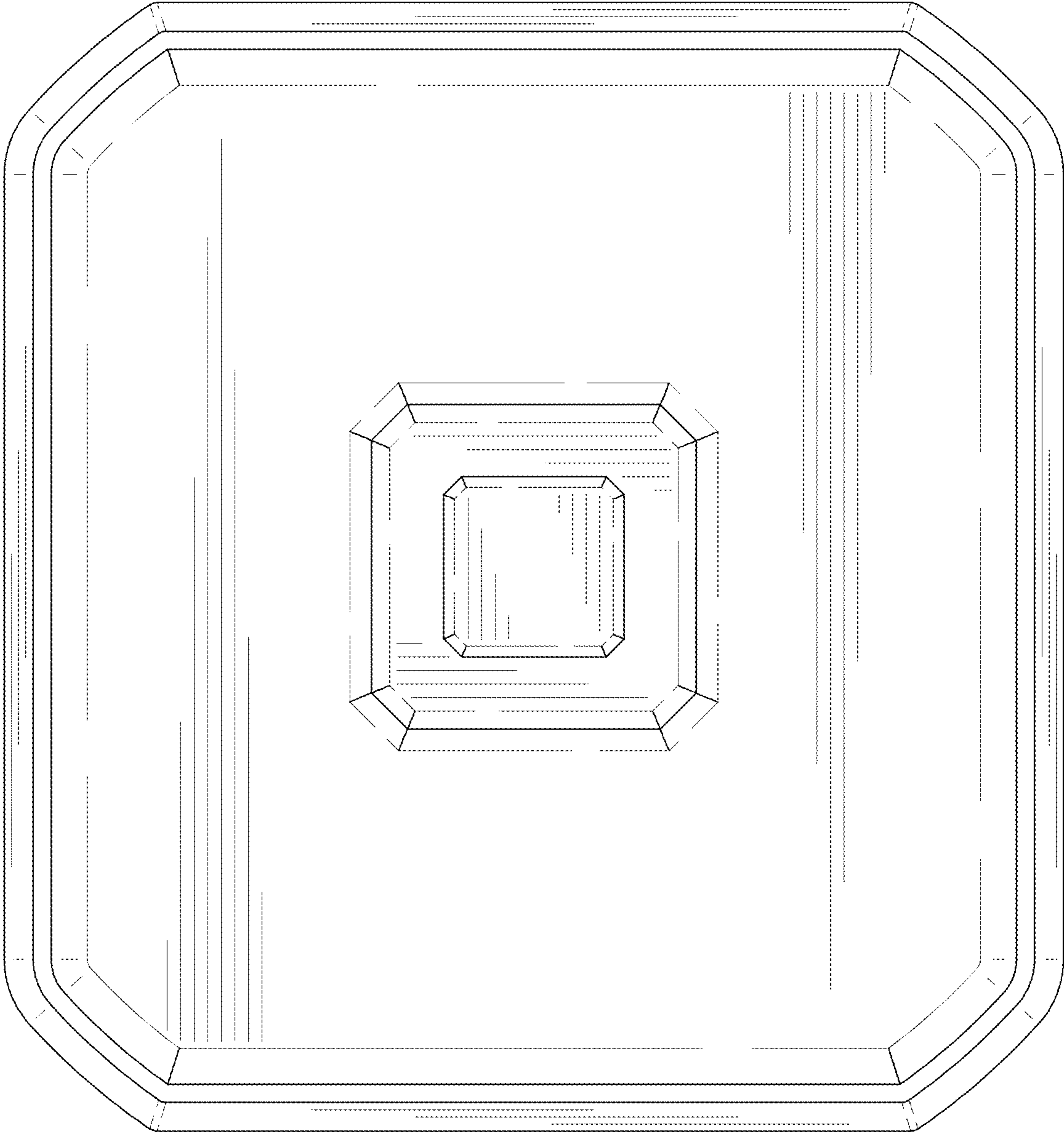


FIG. 3

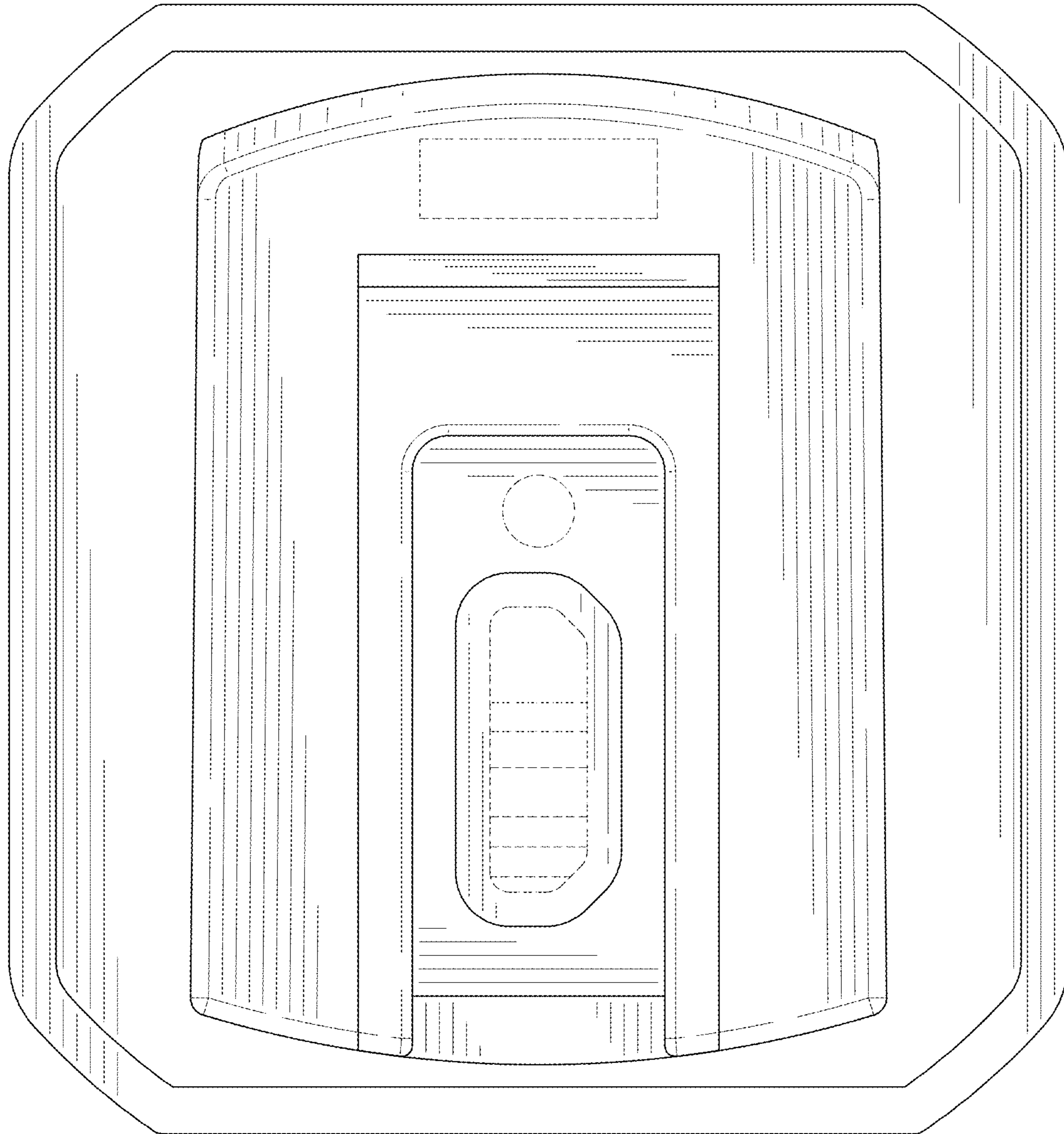


FIG. 4

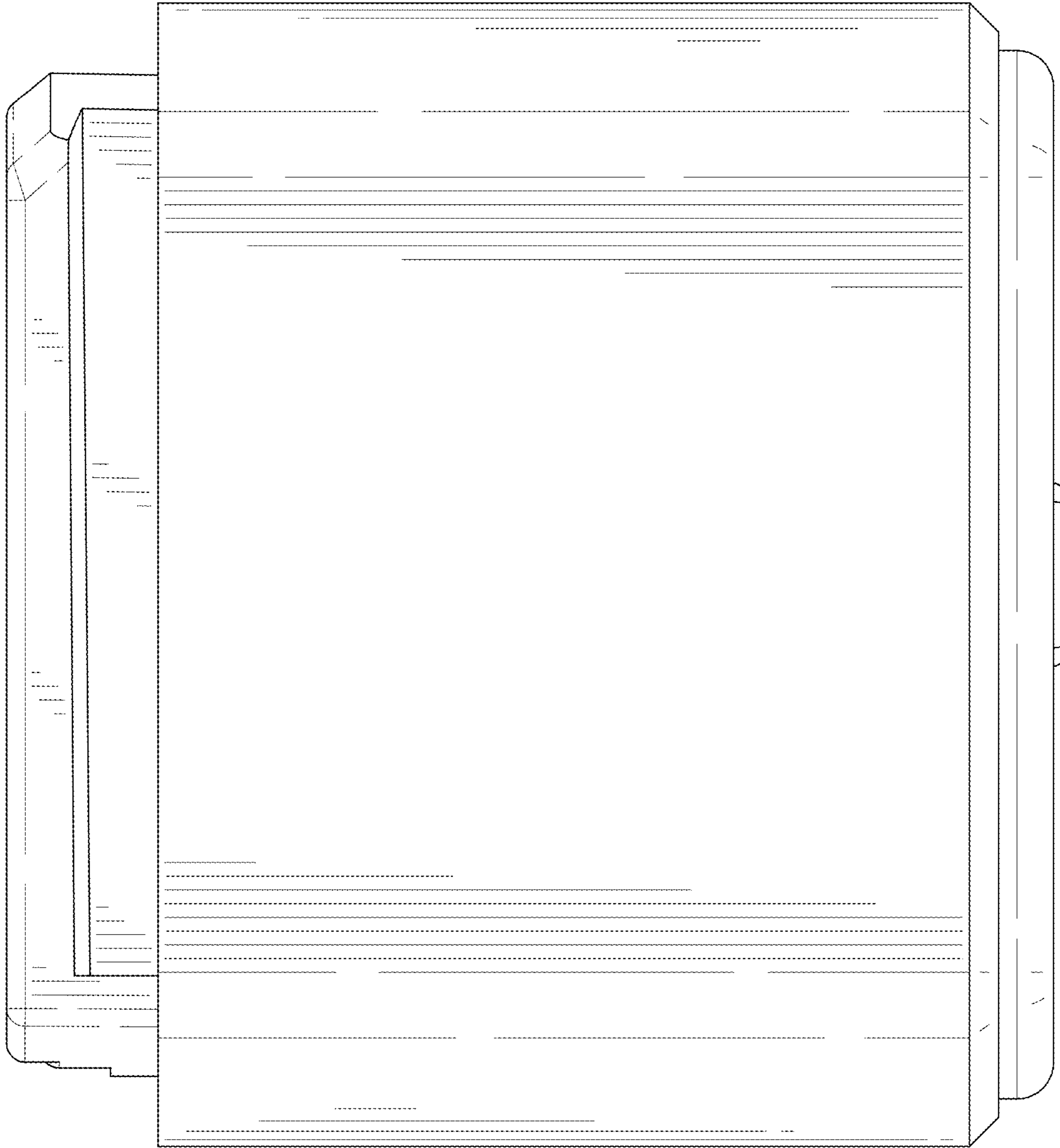


FIG. 5

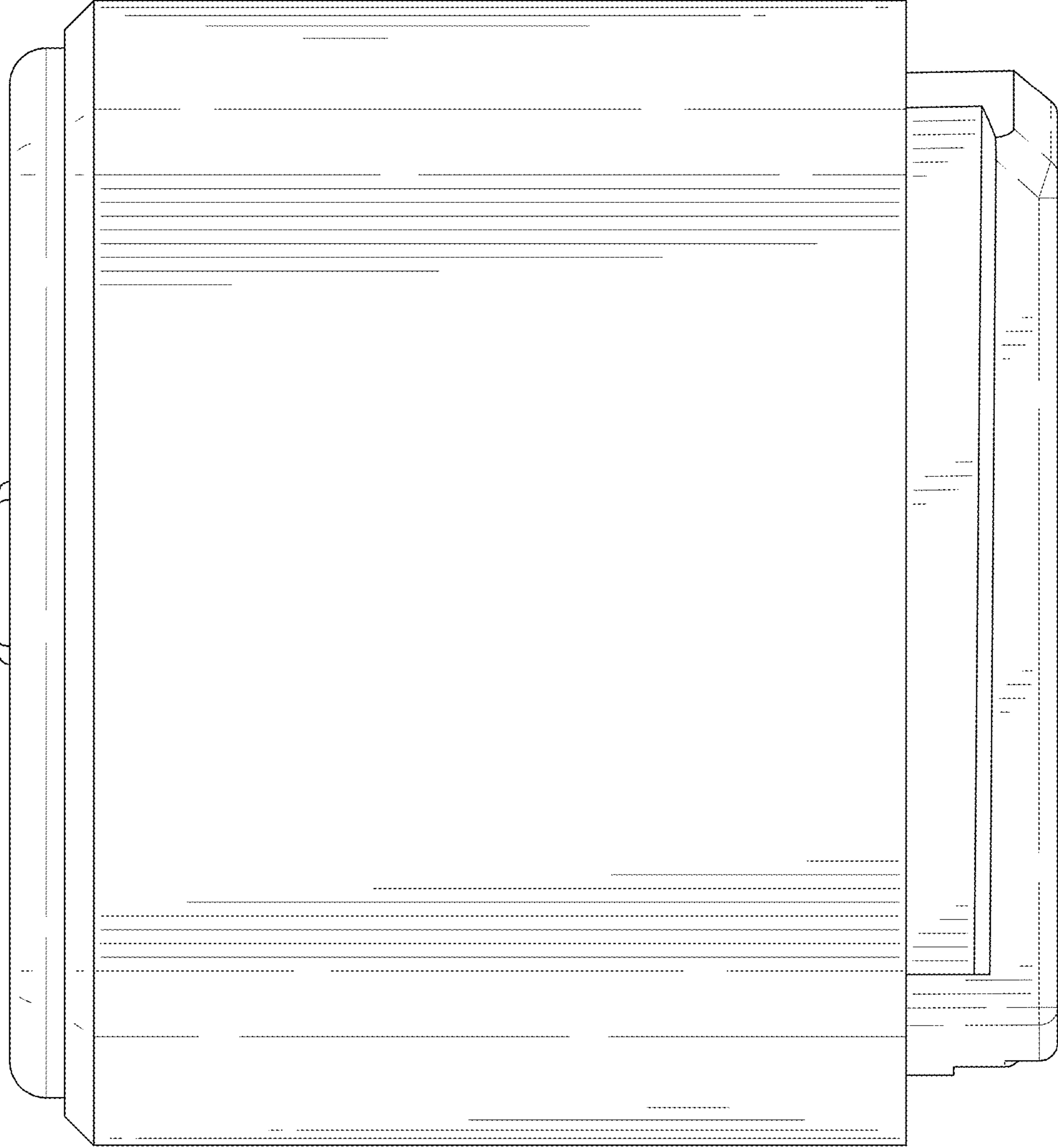


FIG. 6

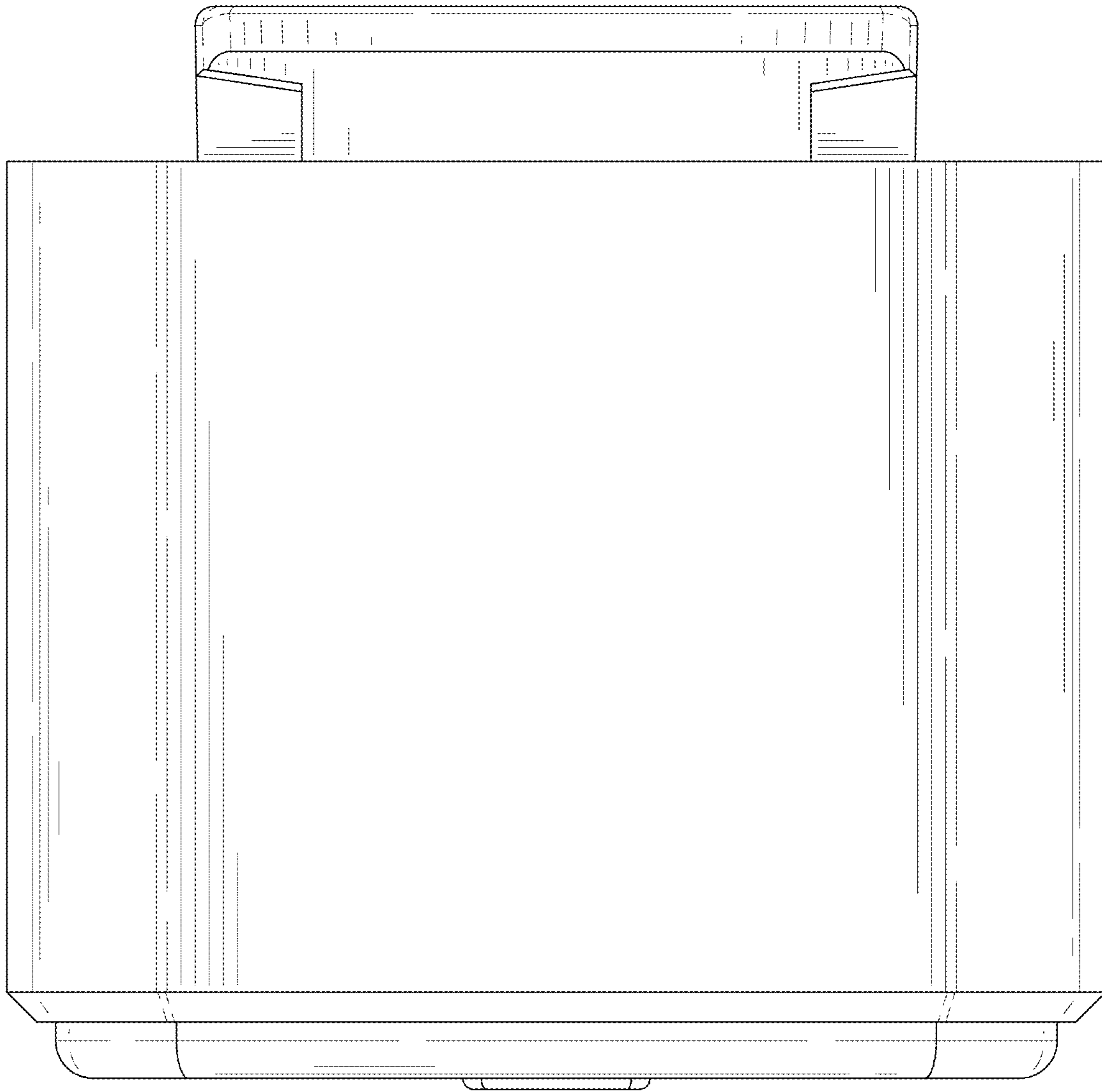


FIG. 7

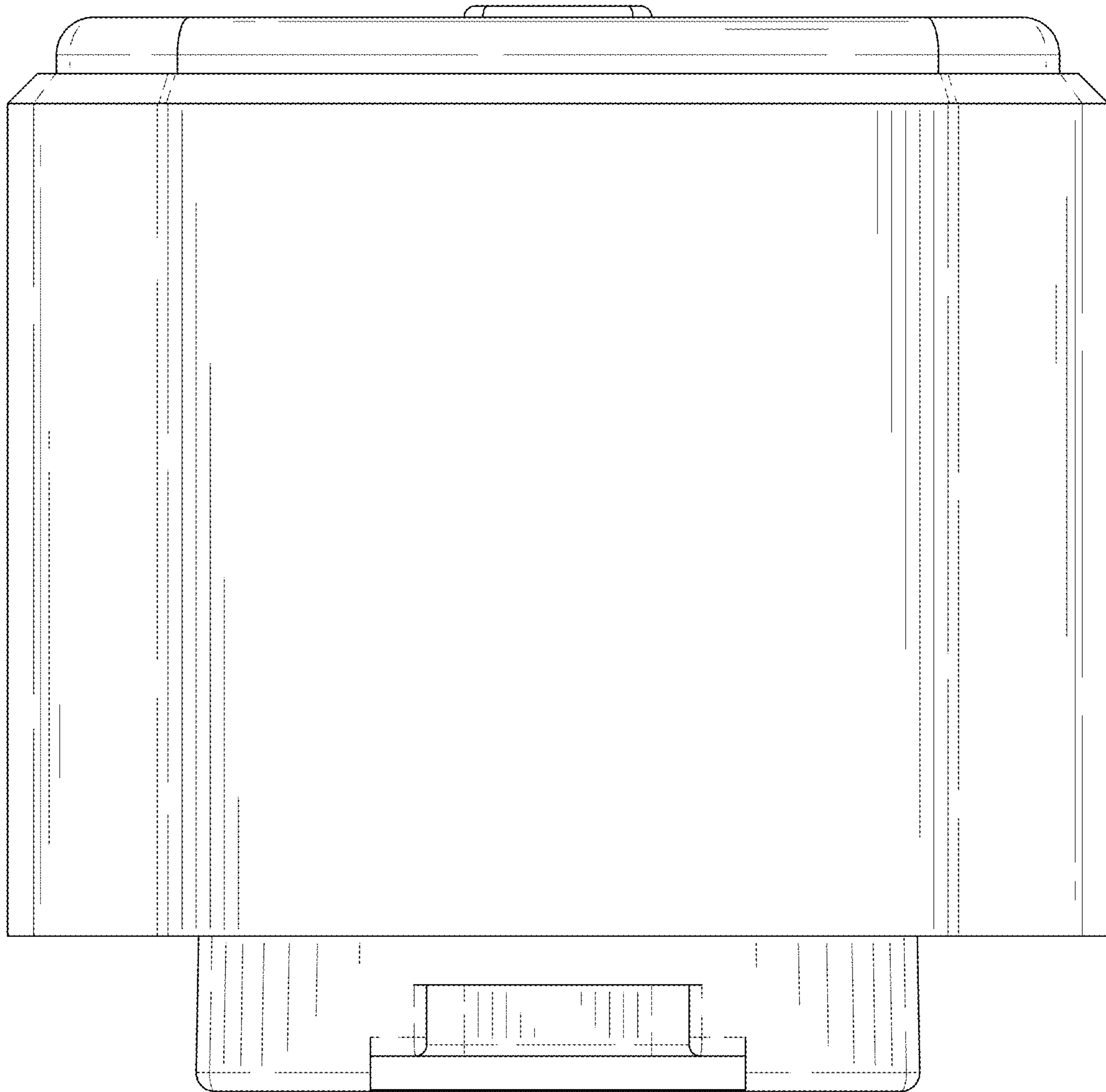


FIG. 8

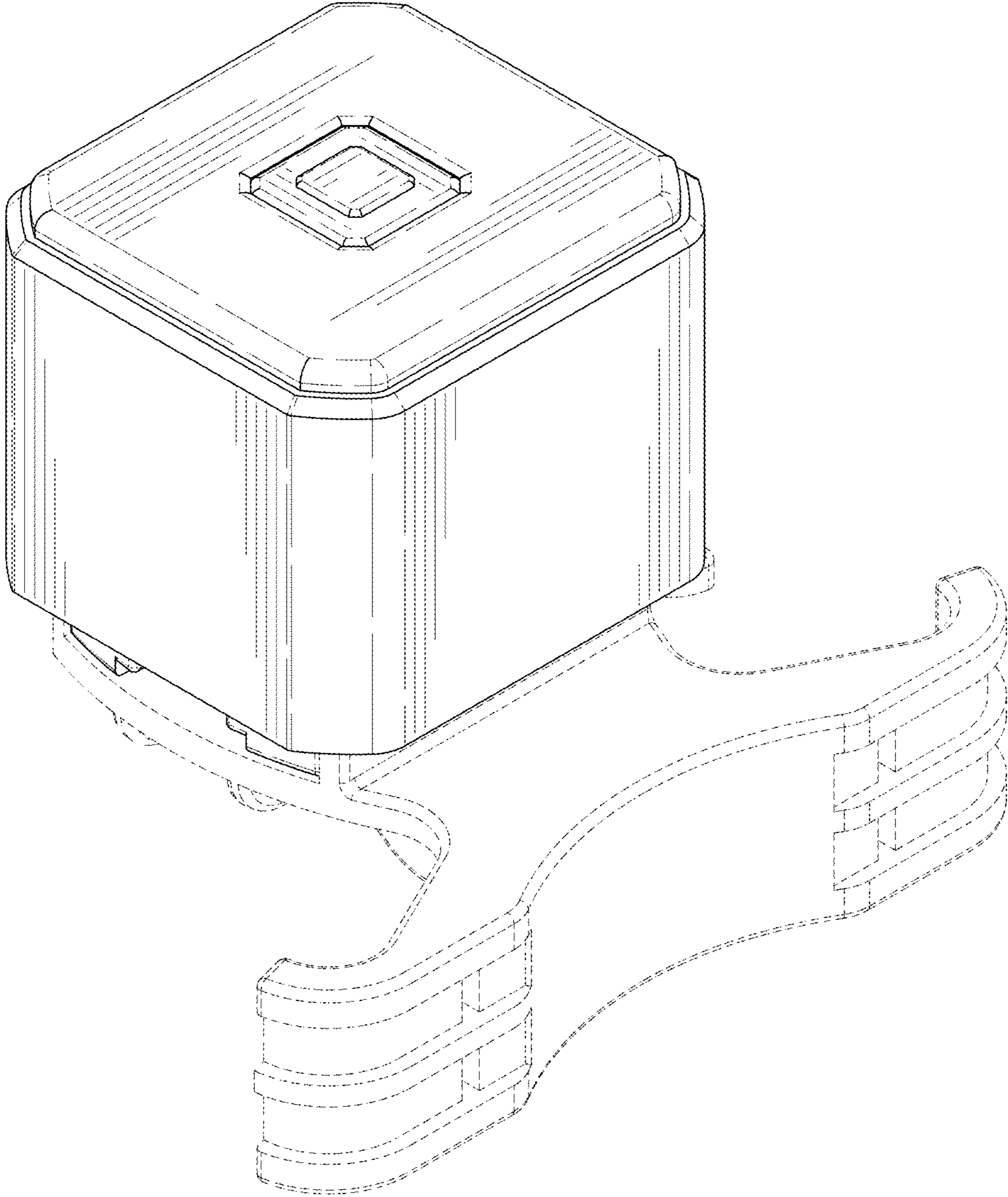


FIG. 9

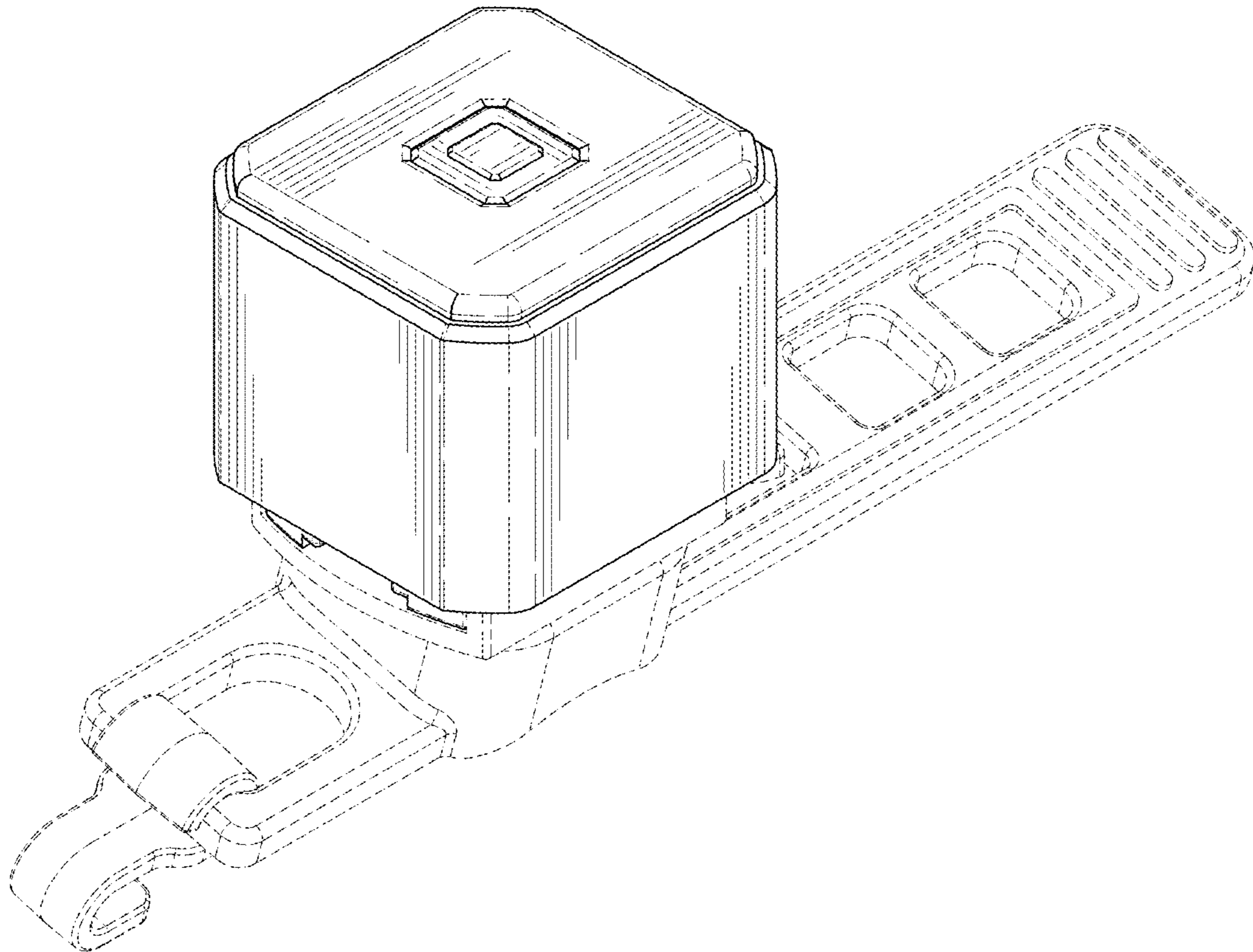


FIG. 10