



US00D962500S

(12) **United States Design Patent** (10) **Patent No.:** **US D962,500 S**  
**Lin** (45) **Date of Patent:** **\*\* Aug. 30, 2022**

(54) **AUTOMOBILE HEADLIGHT LENS**

(71) Applicant: **Chi-Chung Lin**, Hsinchu (TW)

(72) Inventor: **Chi-Chung Lin**, Hsinchu (TW)

(\*\*) Term: **15 Years**

(21) Appl. No.: **29/738,904**

(22) Filed: **Jun. 20, 2020**

(51) **LOC (13) Cl.** ..... **26-06**

(52) **U.S. Cl.**  
USPC ..... **D26/28**

(58) **Field of Classification Search**  
USPC ..... D26/28, 29, 30, 31, 32, 33, 34, 35, 36  
CPC ... F21V 35/00; F21V 14/01; F21F 8/00; F21S  
41/00; B65D 41/04

See application file for complete search history.

(56) **References Cited**

**U.S. PATENT DOCUMENTS**

D714,979 S	*	10/2014	Lai	.....	D26/28
D743,064 S	*	11/2015	Lai	.....	D26/28
D835,312 S	*	12/2018	Yang	.....	D26/28
D869,027 S	*	12/2019	Zipfel	.....	D26/28
D880,737 S	*	4/2020	Ninov	.....	D26/28
D881,426 S	*	4/2020	Scott	.....	D26/28
D892,369 S	*	8/2020	Lin	.....	D26/28
D899,641 S	*	10/2020	He	.....	D26/28
D900,359 S	*	10/2020	He	.....	D26/28
D919,842 S	*	5/2021	Lin	.....	D26/28
D919,856 S	*	5/2021	Kaoud	.....	D26/28
D933,271 S	*	10/2021	Yang	.....	D26/28

**OTHER PUBLICATIONS**

“ACANII 2009-2012 Dodge Ram 1500 Headlight Lens” by ACANII, published by Amazon on Jun. 25, 2018. First visited on Nov. 19, 2021 via URL: <<https://www.amazon.com/ACANII-2009-2012-Dodge-Single-Headlight/dp/B07Y2DNMPN>> (Year: 2018).\*

\* cited by examiner

*Primary Examiner* — Leanne Was-Englehart

(74) *Attorney, Agent, or Firm* — Alexander Chen, Esq.

(57) **CLAIM**

The ornamental design for an automobile headlight lens, as shown and described.

**DESCRIPTION**

FIG. 1 is a perspective front view of an automobile headlight lens;

FIG. 2 is a another perspective front view thereof;

FIG. 3 is a perspective back view thereof;

FIG. 4 is a front view thereof;

FIG. 5 is a back view thereof;

FIG. 6 is a top view thereof; and,

FIG. 7 is a bottom view thereof.

The broken lines are included to show environmental structure and form no part of the claimed design.

The drawings and descriptions represent the left side embodiment. The claim is also for a mirror image right side embodiment.

**1 Claim, 7 Drawing Sheets**

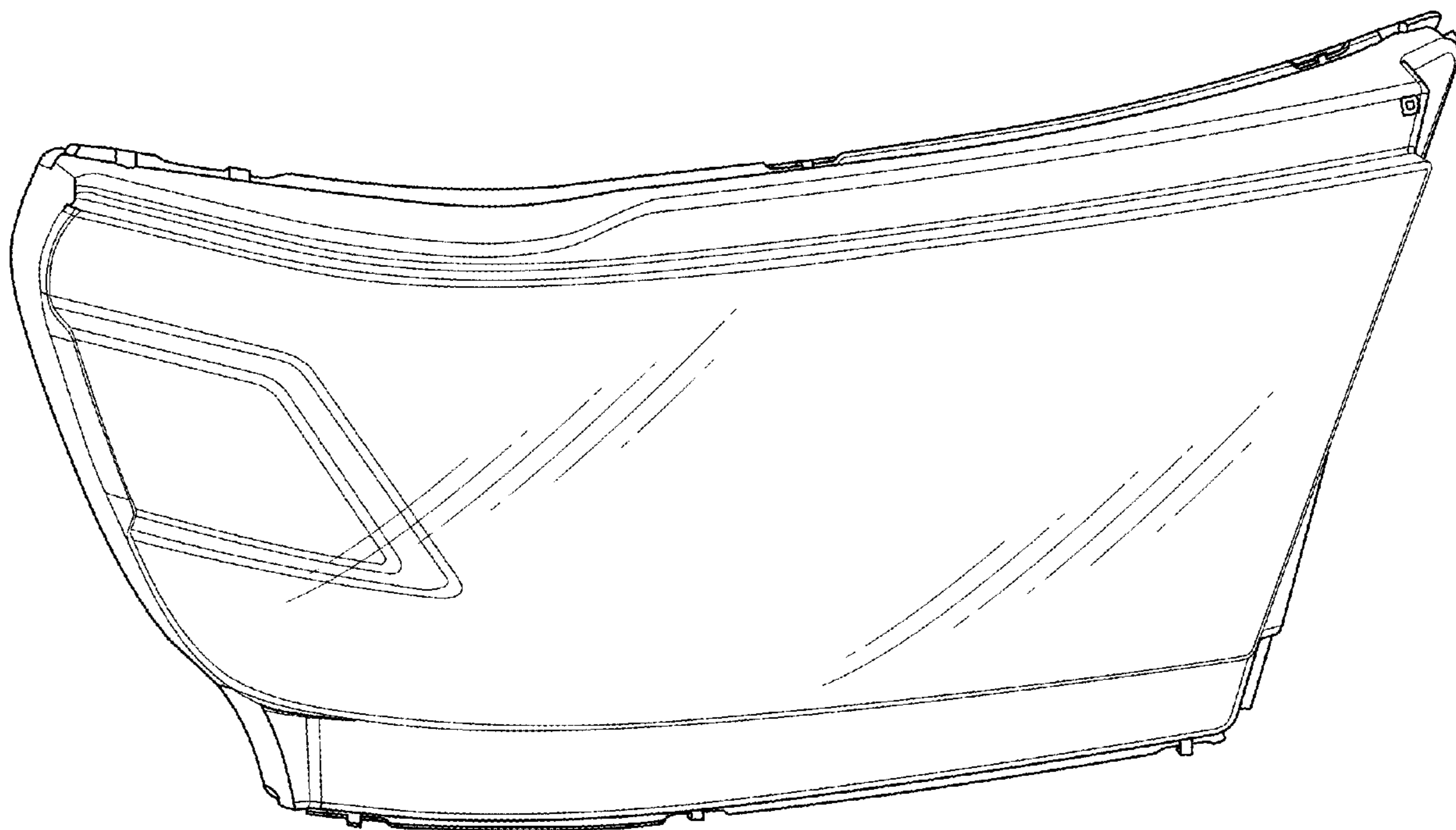




FIG. 1

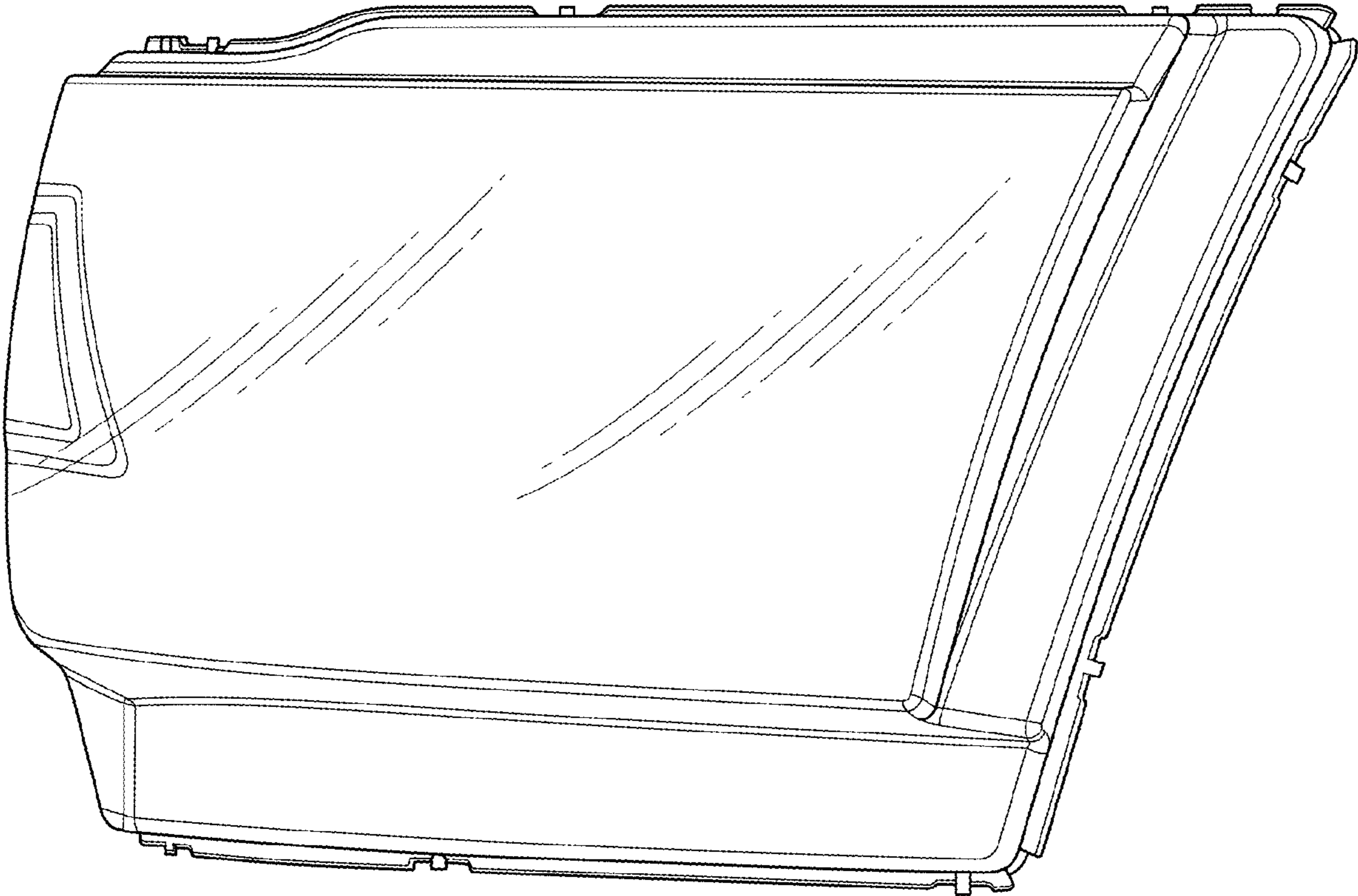


FIG. 2

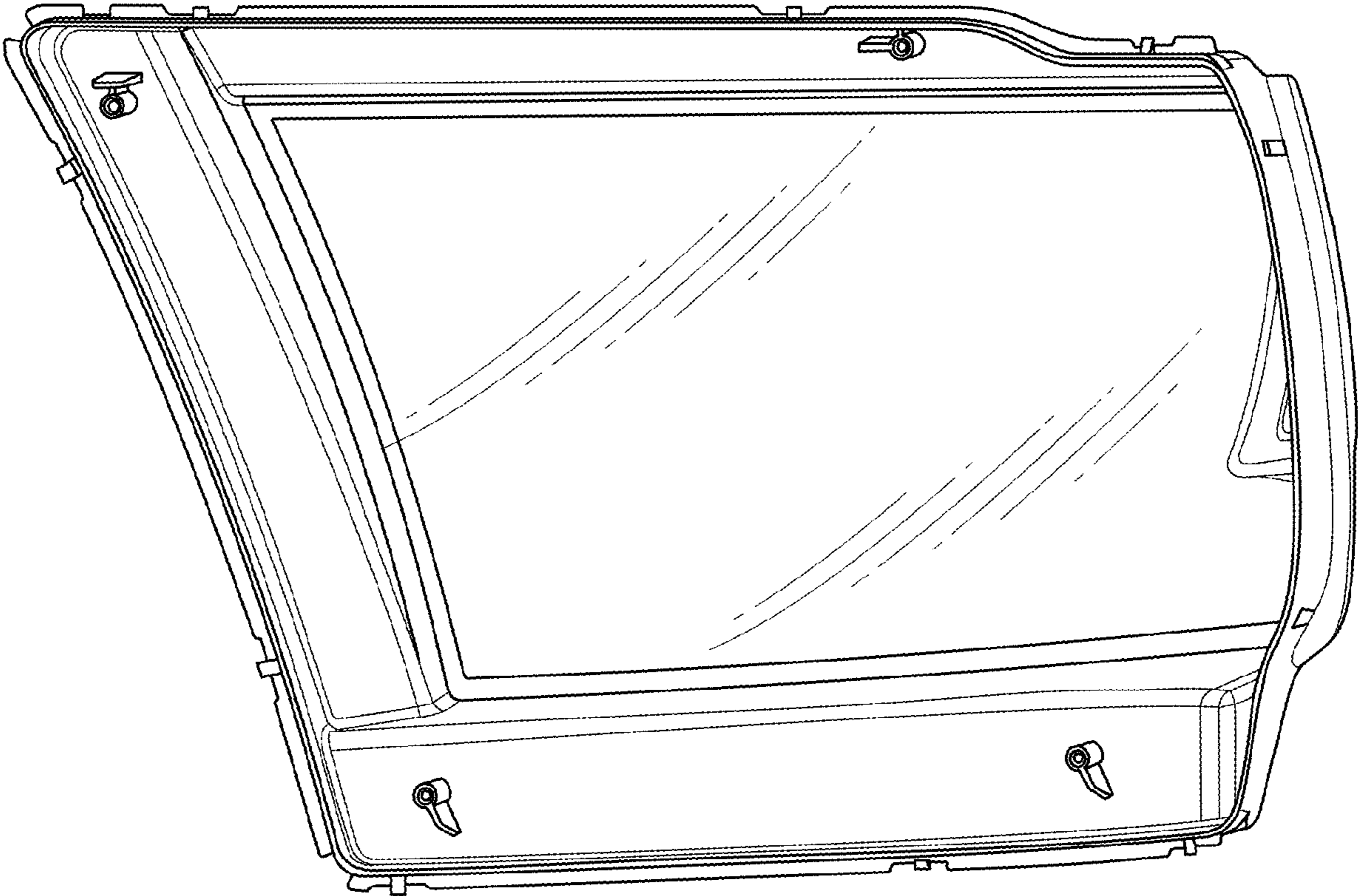


FIG. 3

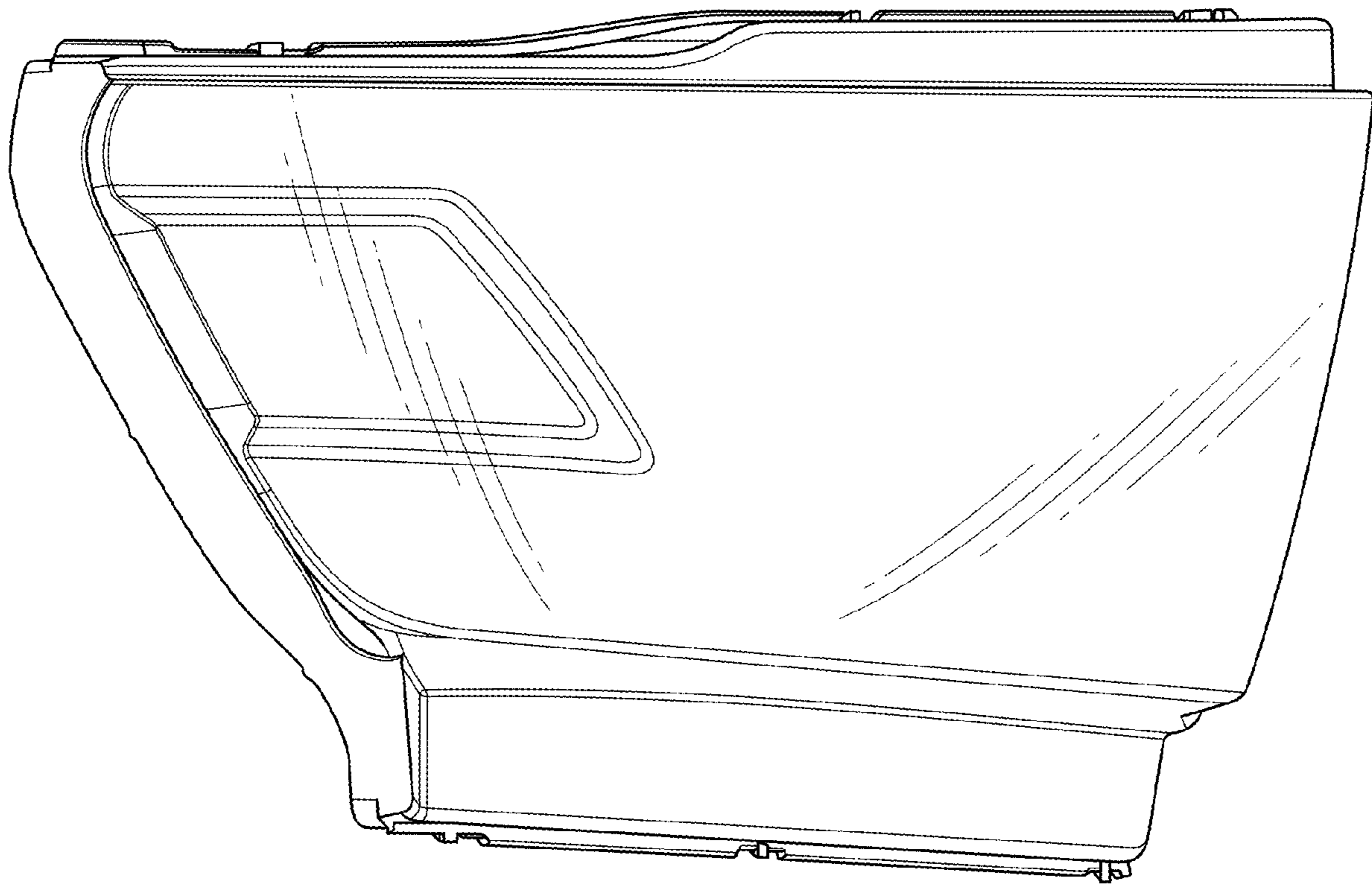


FIG. 4

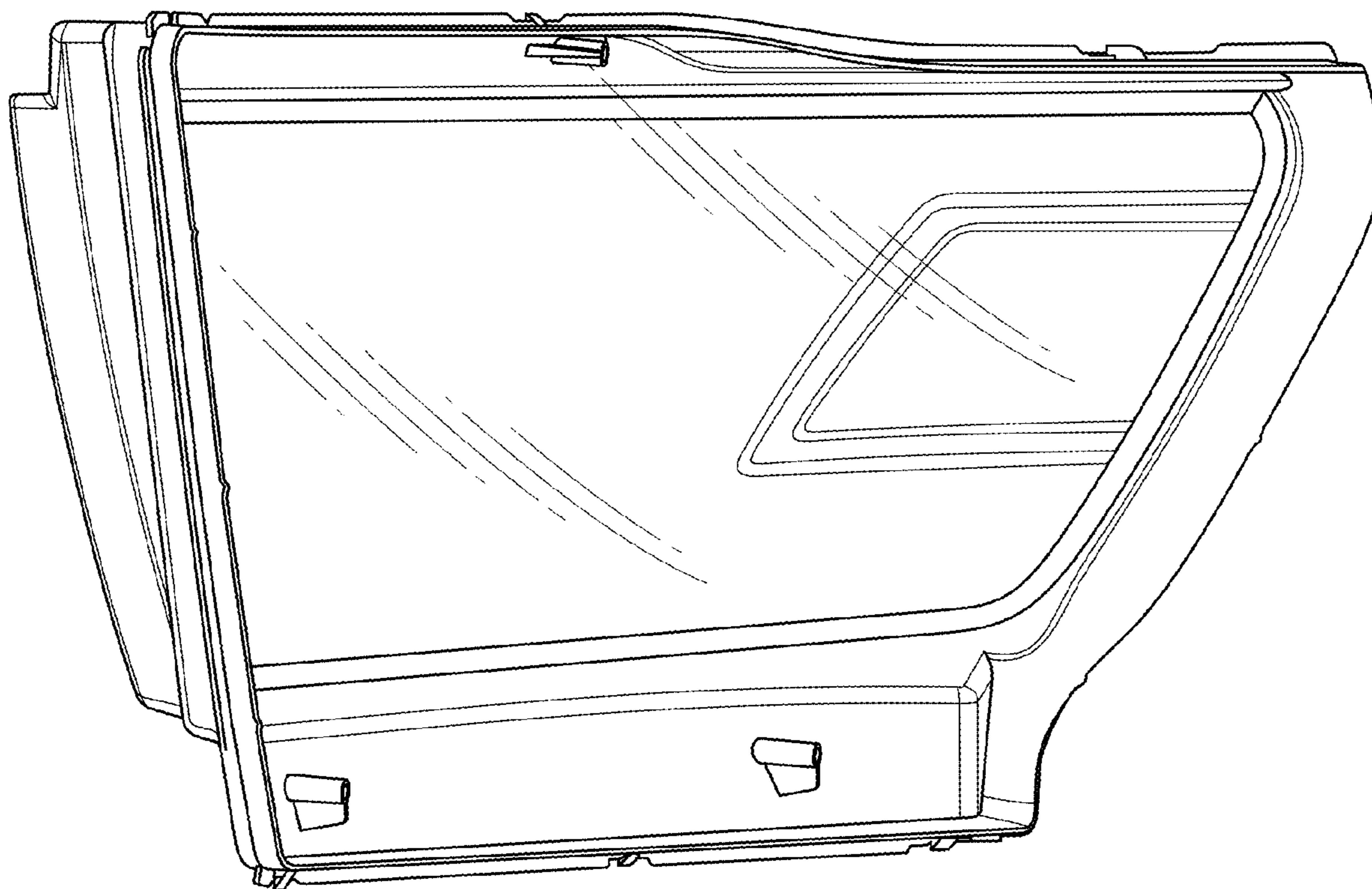


FIG.5

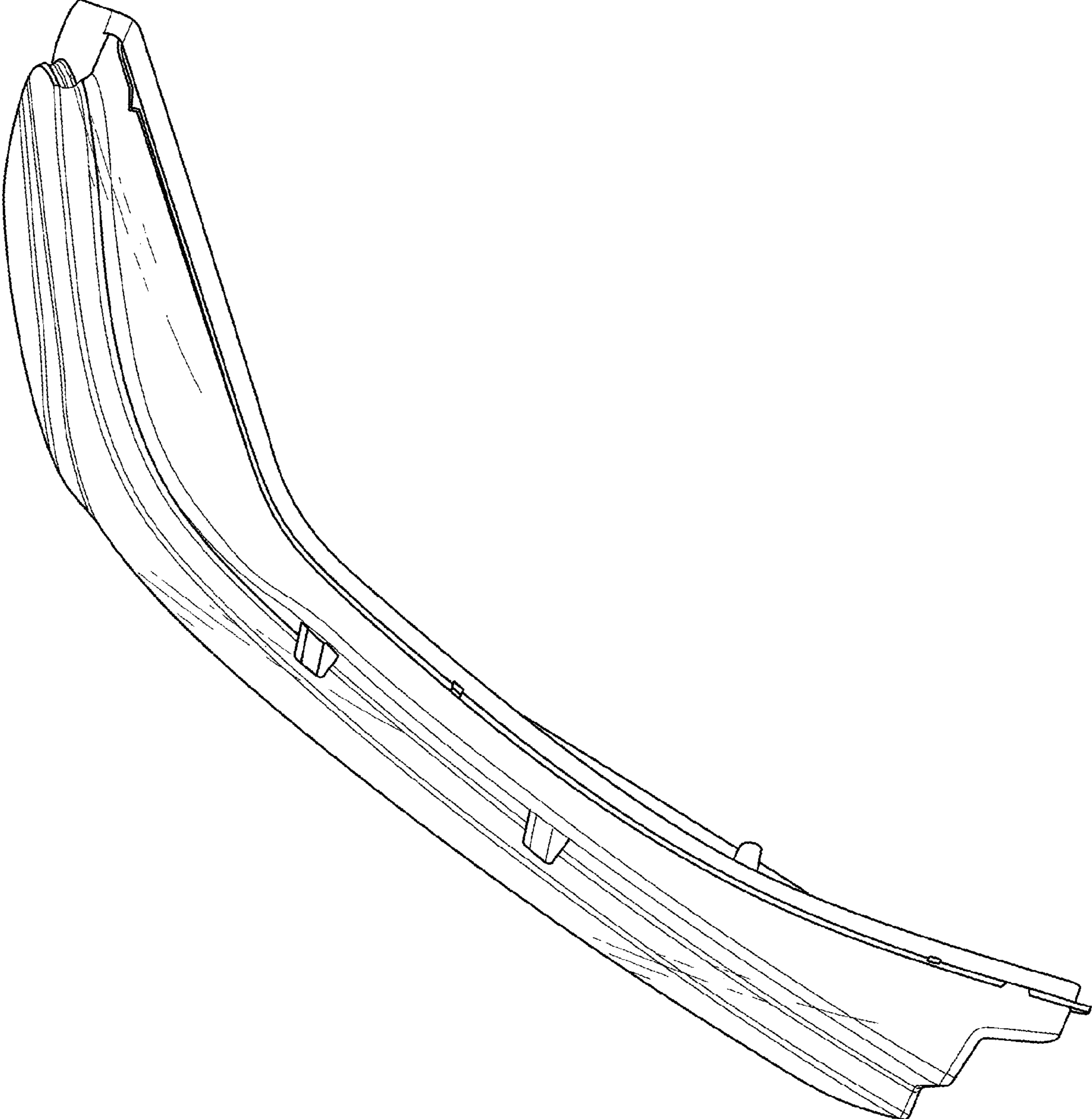


FIG.6

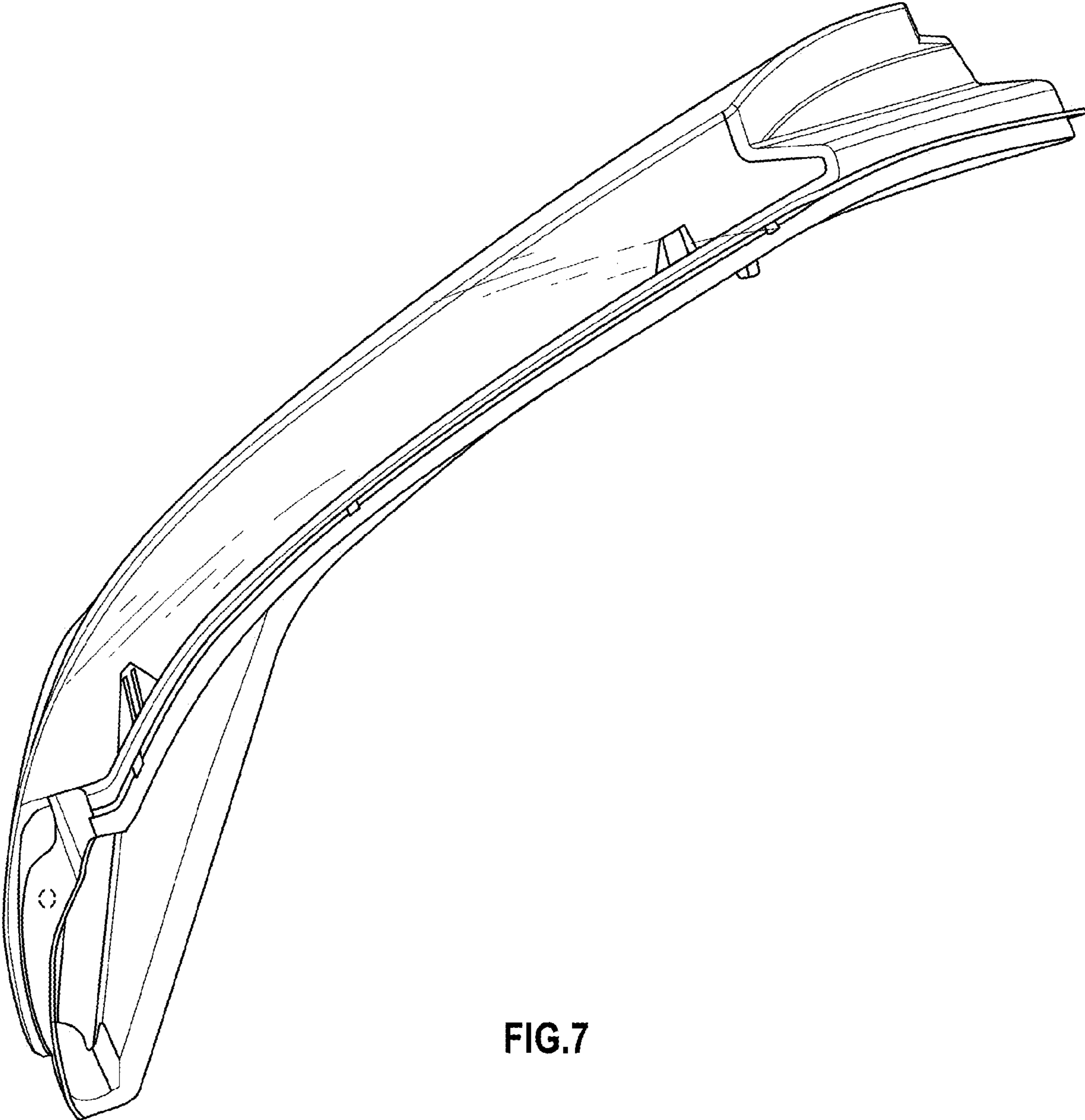


FIG.7