



US00D962495S

(12) **United States Design Patent** (10) **Patent No.:** **US D962,495 S**  
**Yu** (45) **Date of Patent:** **\*\* Aug. 30, 2022**

(54) **LED LIGHT**

(71) Applicant: **Meigui Yu**, Linhai (CN)

(72) Inventor: **Meigui Yu**, Linhai (CN)

(\*\*) Term: **15 Years**

(21) Appl. No.: **29/794,247**

(22) Filed: **Jun. 11, 2021**

(51) **LOC (13) Cl.** ..... **26-04**

(52) **U.S. Cl.**  
USPC ..... **D26/25**; D11/121

(58) **Field of Classification Search**  
USPC ..... D26/2, 25, 27, 73, 125; D11/117, 119,  
D11/122, 124, 125  
CPC .... F21S 4/00; F21S 4/001; F21S 4/002; F21S  
4/003; F21S 4/005; F21S 4/10; F21V  
10/0005; F21W 2121/00; F21W  
2121/004; F21W 2121/04

See application file for complete search history.

(56) **References Cited**

**U.S. PATENT DOCUMENTS**

D287,769 S \* 1/1987 Davis ..... F21S 9/02  
D11/119  
D415,583 S \* 10/1999 Byers ..... D11/124  
6,027,228 A \* 2/2000 Adams ..... F21V 21/0824  
362/249.11  
D459,009 S 6/2002 Chang et al.  
6,652,927 B1 \* 11/2003 Chen ..... F21S 4/10  
428/9  
D846,429 S \* 4/2019 Khubani ..... D11/124  
D899,965 S \* 10/2020 Zhou ..... D26/25  
D910,889 S \* 2/2021 Zhou ..... D26/25  
D915,642 S \* 4/2021 Anderson ..... D26/25  
D917,083 S \* 4/2021 Zhou ..... F21S 4/10  
D26/25  
D917,084 S \* 4/2021 Zhou ..... F21V 21/0824  
D26/25

D918,441 S 5/2021 Liu  
D921,936 S \* 6/2021 Zhou ..... B44C 5/005  
D26/25  
D925,077 S \* 7/2021 Yang ..... D26/25  
(Continued)

**FOREIGN PATENT DOCUMENTS**

EM 008543789-0001 \* 5/2021

**OTHER PUBLICATIONS**

North Light 18in Lighted Star, Jul. 27, 2017, Amazon.co.uk, site visited Mar. 9, 2022, url: <https://www.amazon.co.uk/dp/B0749XPSJB> (Year: 2017).\*

(Continued)

*Primary Examiner* — T Chase Nelson  
*Assistant Examiner* — Rachel Wolfe

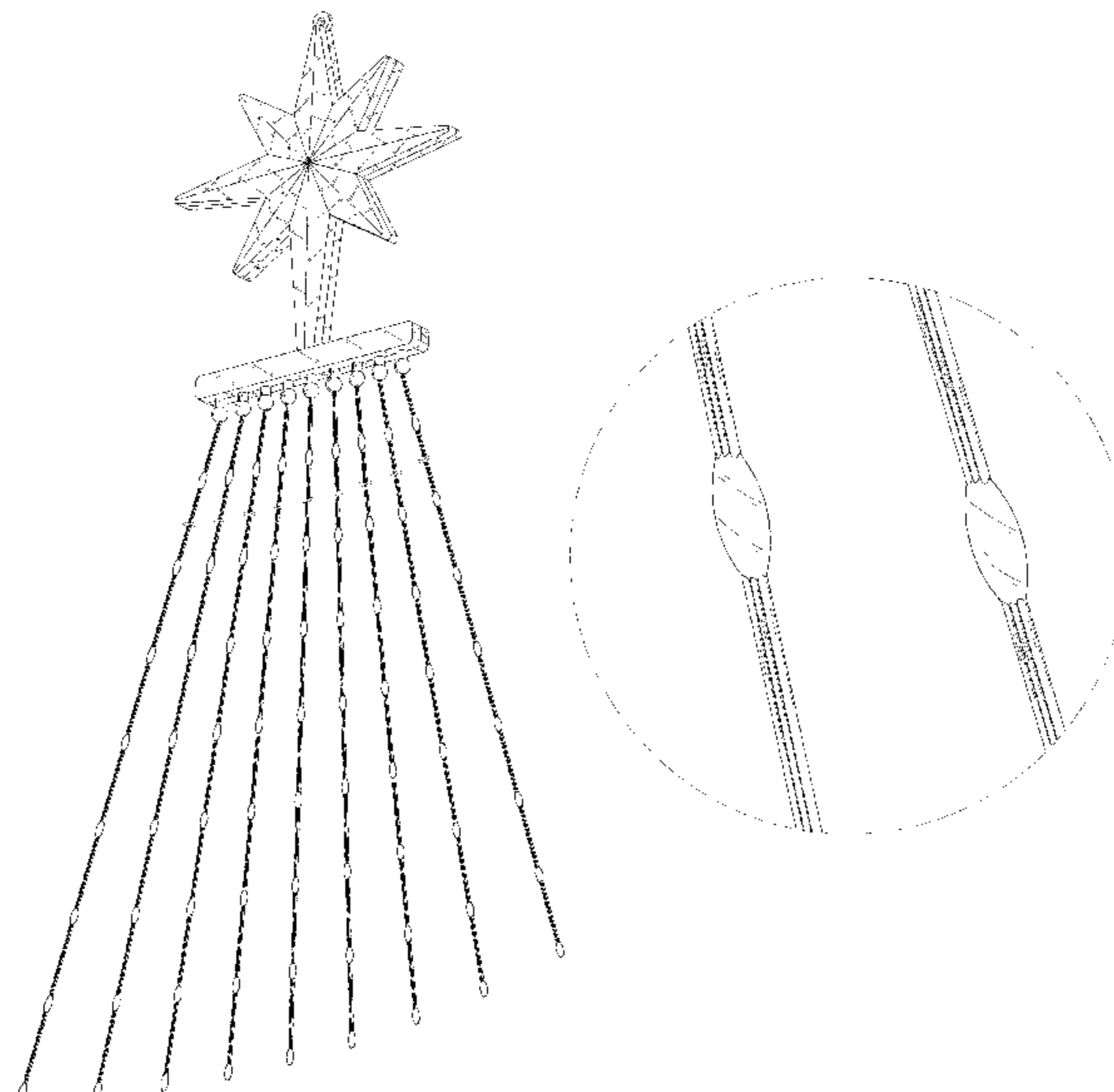
(57) **CLAIM**

The ornamental design for an LED light, as shown and described.

**DESCRIPTION**

FIG. 1 is a perspective view of an LED light showing my new design;  
FIG. 2 is another perspective view thereof;  
FIG. 3 is a front elevational view thereof;  
FIG. 4 is a rear elevational view thereof;  
FIG. 5 is a left side elevational view thereof;  
FIG. 6 is a right side elevational view thereof;  
FIG. 7 is a top plan view thereof;  
FIG. 8 is a bottom plan view thereof; and,  
FIG. 9 is an enlarged view of portion 9 shown in FIG. 1.  
The LED light is shown with symbolic breaks in its length, and the appearance of any portion of the LED light between the break lines forms no part of the claimed design. The broken lines of alternating length are for the purpose of illustrating the boundaries of the enlarged fragment shown in FIG. 9 and form no part of the claimed design.

**1 Claim, 9 Drawing Sheets**



(56)

**References Cited**

U.S. PATENT DOCUMENTS

D925,783 S \* 7/2021 Xiao ..... F21V 23/008  
D26/25  
D935,681 S \* 11/2021 Gong ..... F21S 4/10  
D26/81  
D938,627 S \* 12/2021 Li ..... D26/25  
D940,359 S \* 1/2022 Yang ..... F21V 33/0028  
D26/25  
2002/0176252 A1\* 11/2002 Pan ..... F21S 4/10  
362/249.01  
2006/0158888 A1\* 7/2006 Wang ..... B44C 5/005  
362/351  
2006/0227549 A1\* 10/2006 Cheng ..... F21S 4/10  
362/249.19  
2013/0335963 A1\* 12/2013 Chen ..... F21V 33/0028  
362/235  
2016/0178172 A1\* 6/2016 Boyink ..... F21V 23/008  
362/249.06  
2019/0003667 A1\* 1/2019 Marasco ..... F21S 9/02

OTHER PUBLICATIONS

Muyun Waterfall Christmas String Lights, Nov. 20, 2020, Amazon.com, site visited Mar. 7, 2022, url: <https://www.amazon.com/dp/B08LC7YYW3/?th=1> (Year: 2020).\*

Colorina 72ft 200 Led Solar String Lights Waterproof Solar, Jun. 8, 2021, Amazon.com, site visited Feb. 11, 2022, url: <https://www.amazon.com/dp/B096TW51HZ> (Jun. 2021).\*

Qulist Color Changing Christmas Lights, Jun. 28, 2021, Amazon.com, site visited Mar. 9, 2022, url: <https://www.amazon.com/dp/B0983DHXWX?th=1> (Year: 2021).\*

\* cited by examiner

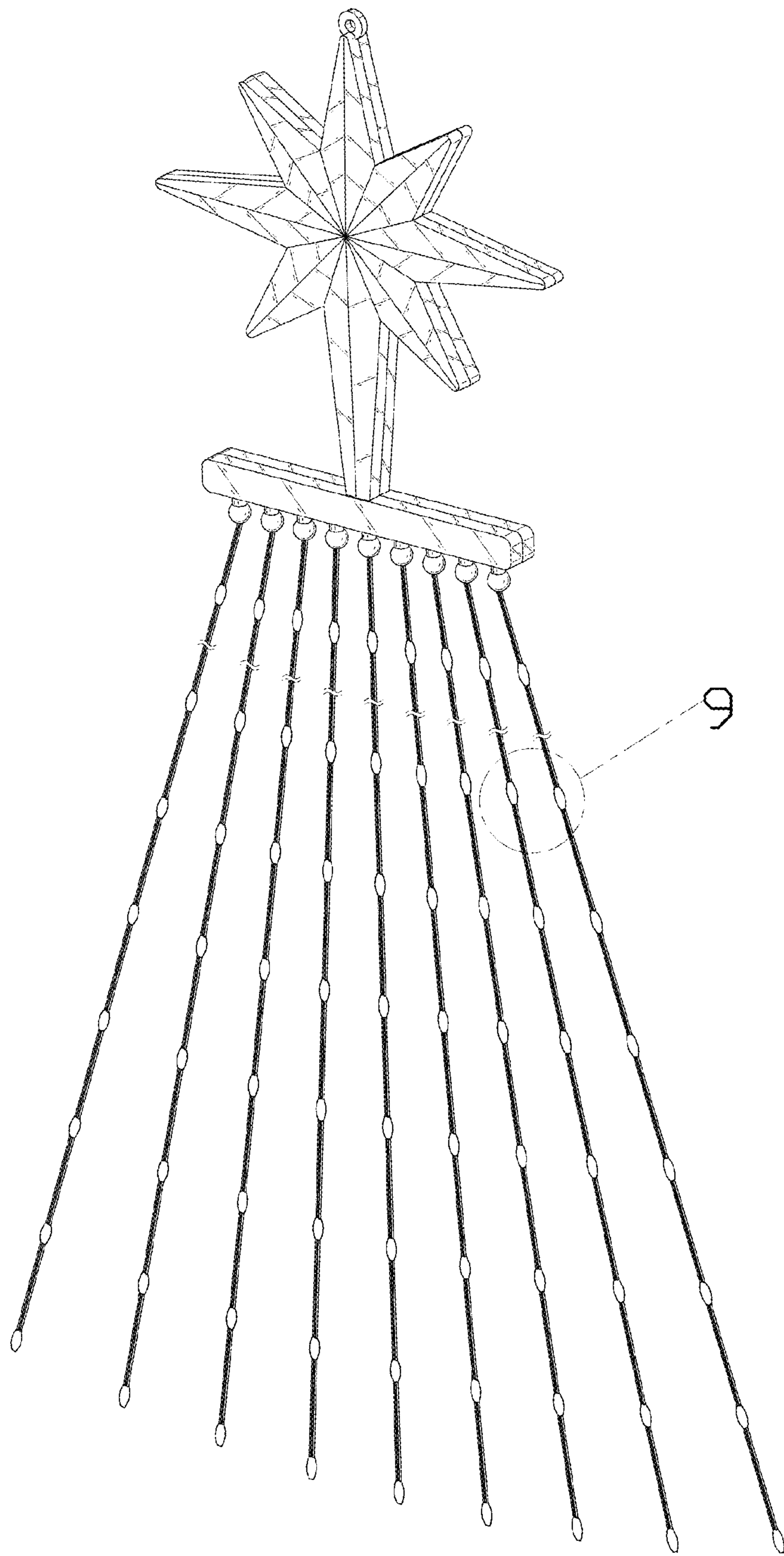


FIG. 1

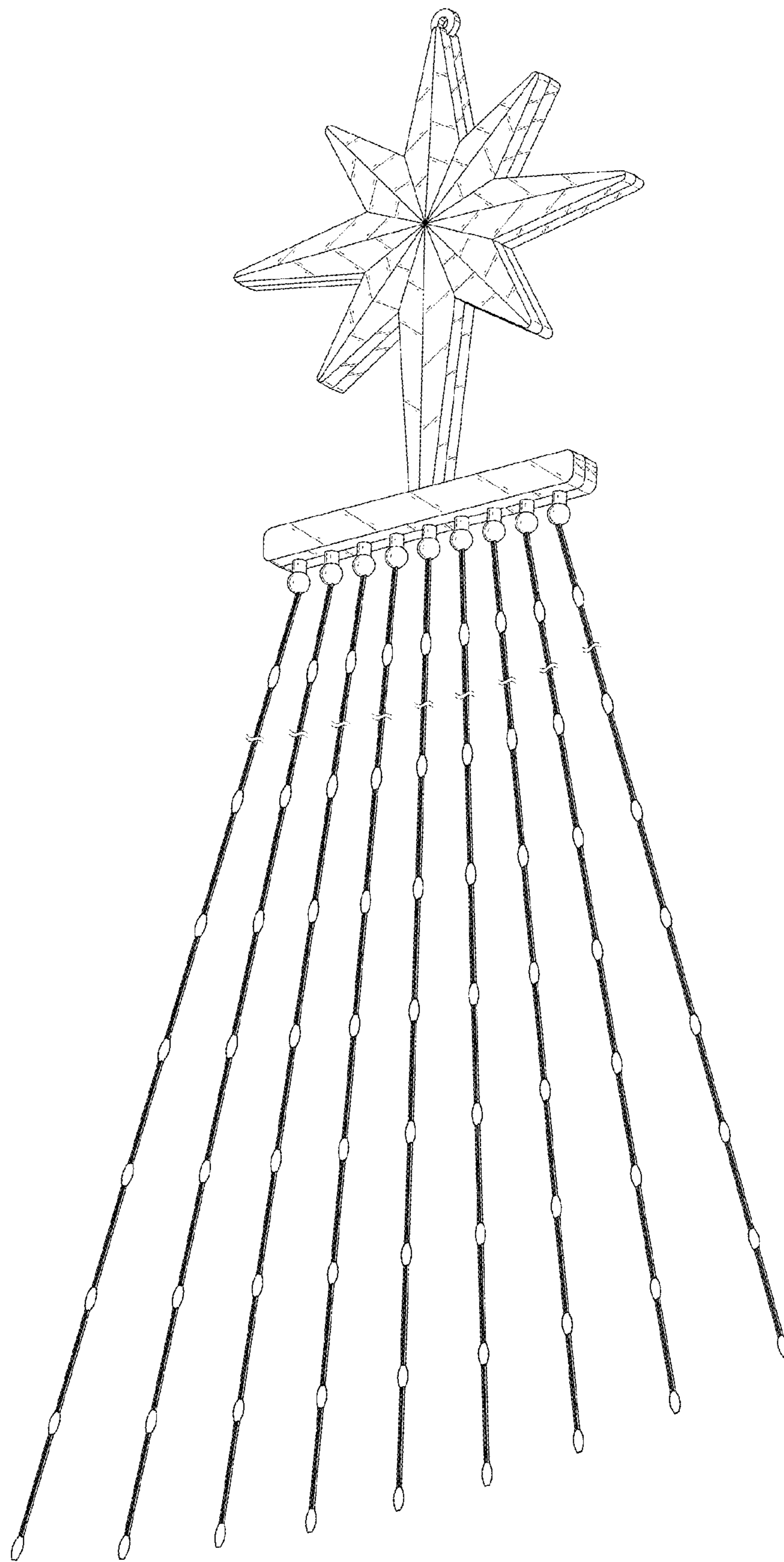


FIG. 2

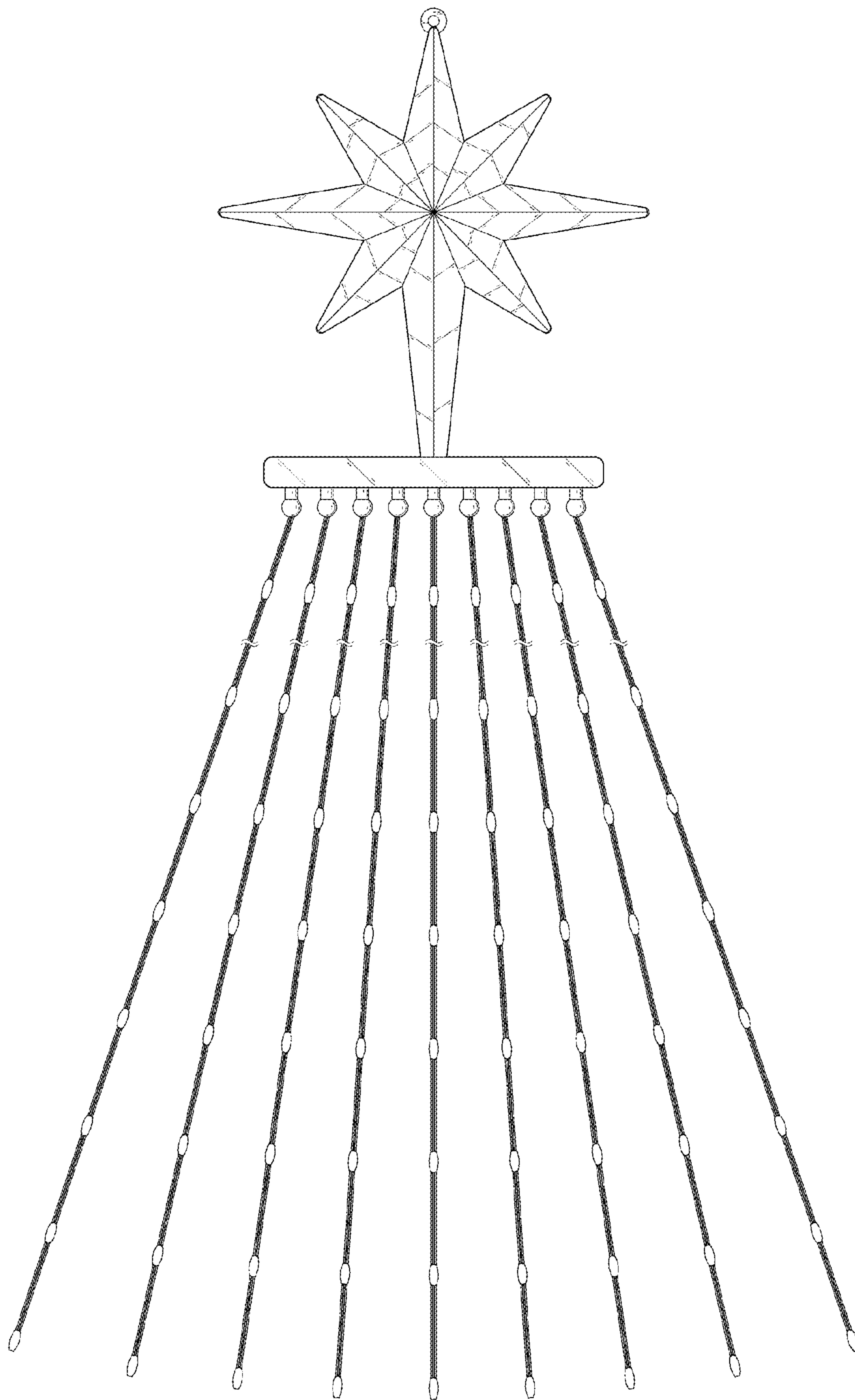


FIG. 3

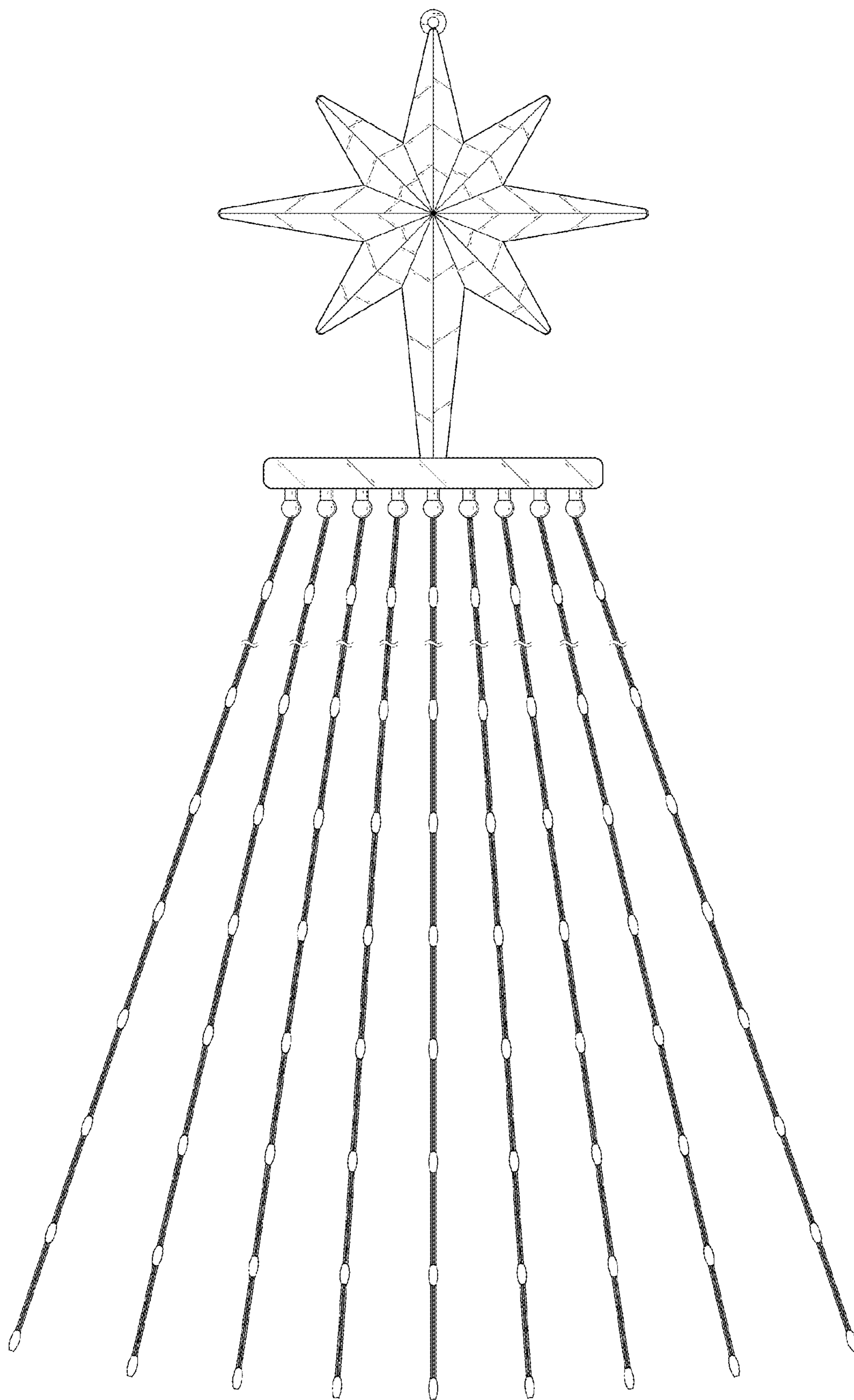


FIG. 4

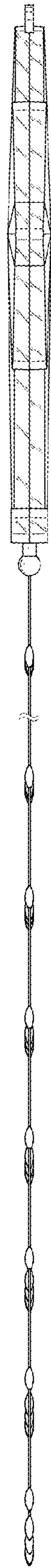


FIG. 5

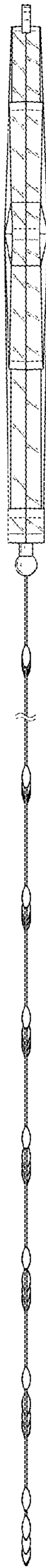


FIG. 6



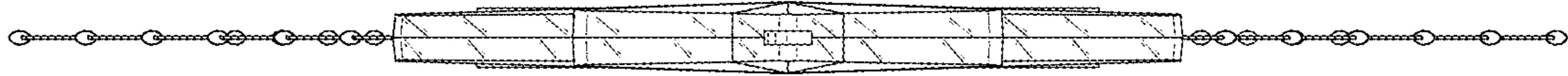


FIG. 7

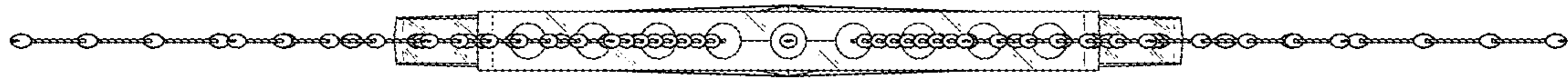


FIG. 8

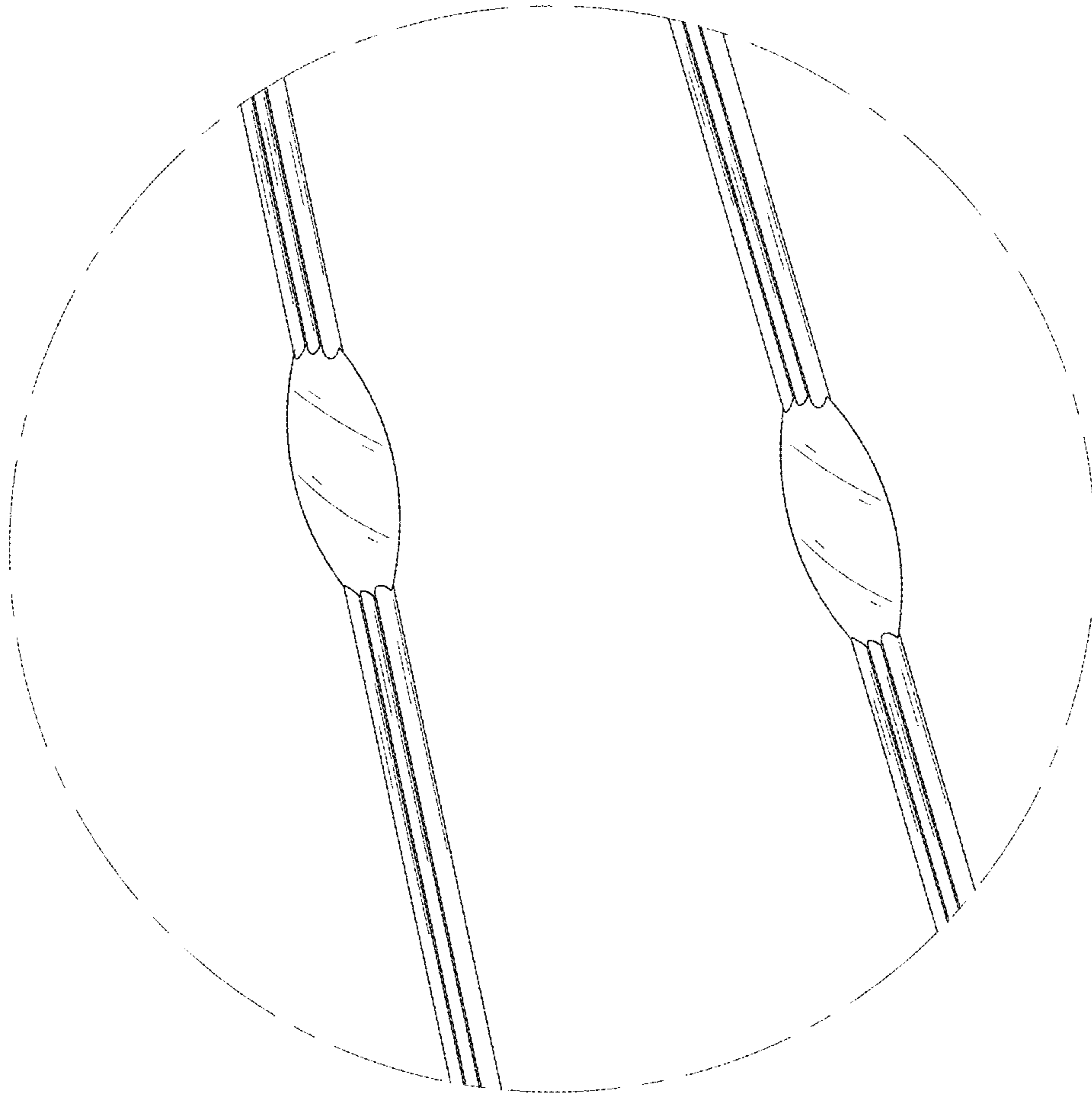


FIG. 9