



US00D962486S

(12) **United States Design Patent** (10) **Patent No.:** **US D962,486 S**
Hilmerson (45) **Date of Patent:** **** Aug. 30, 2022**

(54) **GUARDRAIL SUPPORT CLAMP**

OTHER PUBLICATIONS

(71) Applicant: **Debra Lee Hilmerson**, Savage, MN (US)

True Supply, "Deslauriers 'Stair Grabber'—Temporary Stair Rail", <https://www.trusupply.com/store/p/2883-Deslauriers-Slab-Grabber-Temporary-Guardrail-clone.html>, Accessed Jun. 8, 2021, Jericho, New York 11753.

(72) Inventor: **Debra Lee Hilmerson**, Savage, MN (US)

Primary Examiner — Samantha Q Lawrence

(**) Term: **15 Years**

(74) *Attorney, Agent, or Firm* — Fantastic IP Consulting; Eduardo E. Drake

(21) Appl. No.: **29/787,274**

(22) Filed: **Jun. 4, 2021**

(57) **CLAIM**

The ornamental design for a guardrail support clamp, as shown and described.

Related U.S. Application Data

(63) Continuation of application No. 17/233,012, filed on Apr. 16, 2021, now abandoned.

DESCRIPTION

(51) **LOC (13) Cl.** **25-01**

(52) **U.S. Cl.**
USPC **D25/133**

(58) **Field of Classification Search**
USPC D25/119, 125, 126, 127, 128, 129, 130, D25/131, 132, 133, 134, 135, 136
CPC E04D 15/02; E04D 15/00; E04D 13/12; E04G 3/26; E04G 3/265; E04G 21/166; E04G 3/34; A47B 91/12; A47B 91/024
See application file for complete search history.

A portion of this document contains material subject to copyright protection. The copyright owner has no objection to the facsimile reproduction by anyone of the patent document or the patent disclosure, as it appears in the Patent and Trademark Office patent files or records, but otherwise reserves all copyrights whatsoever. The following notice applies to this document: Copyright © 2020, Hilmerson Safety Services, Inc.

FIG. 1 is a top front perspective view of a guardrail support clamp incorporating the claimed design.

FIG. 2 is bottom front perspective view of the clamp.

FIG. 3 is top back perspective view of the clamp.

FIG. 4 is a bottom back perspective view of the clamp.

FIG. 5 is a right side view the clamp.

FIG. 6 is a left side view of the clamp.

FIG. 7 is a back view the clamp

FIG. 8 is a front view of the clamp.

FIG. 9 is bottom view of the clamp; and,

FIG. 10 is a top view of the clamp.

The broken lines in the drawings depict environment or structural features that form no part of the claimed design.

The shade lines in the drawings show contour and not surface ornamentation.

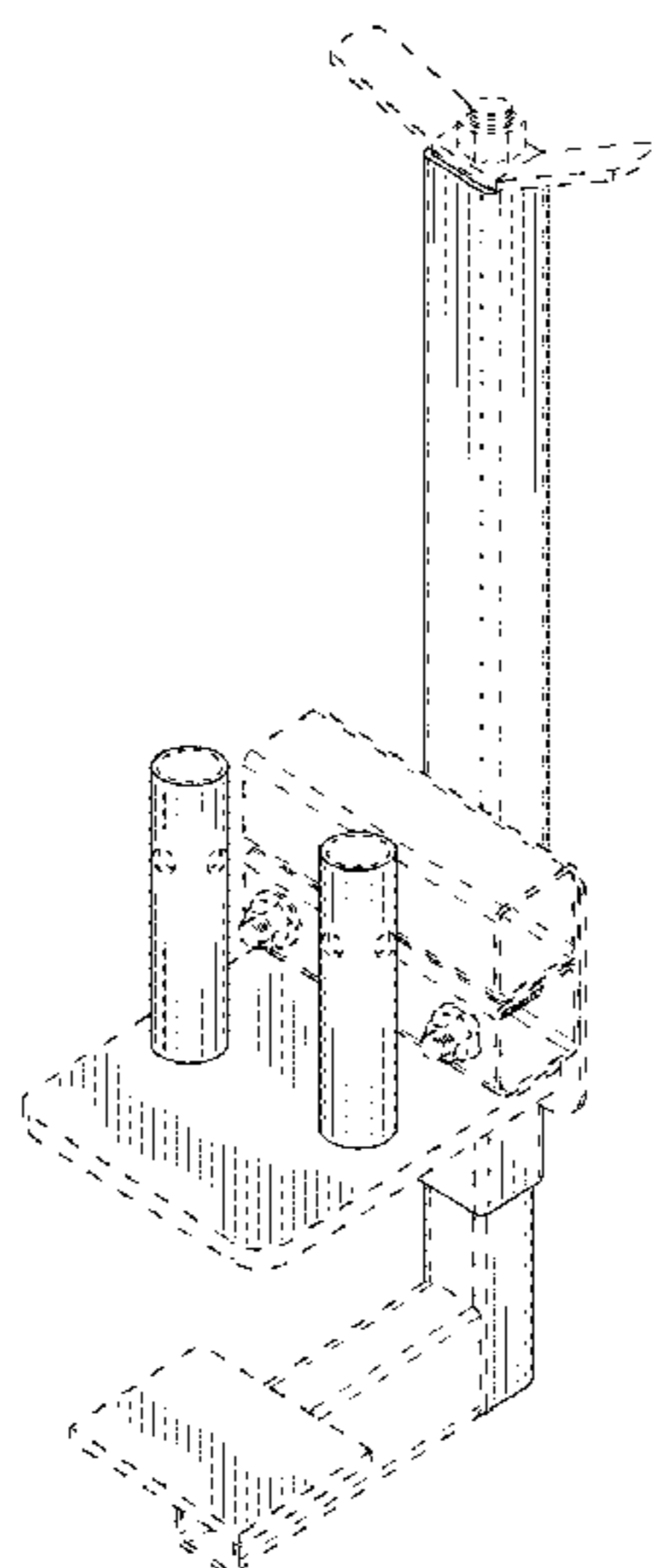
(56) **References Cited**

U.S. PATENT DOCUMENTS

3,863,900	A	2/1975	Dagiel	
3,995,834	A	12/1976	Melfi	
4,021,128	A	5/1977	Chiames	
4,231,538	A	11/1980	Lithgow	
4,669,577	A	6/1987	Werner	
5,203,501	A	4/1993	Vanotti	
6,547,223	B1	4/2003	Letourneau	
7,284,746	B2	10/2007	Kuenzel	
7,530,551	B2	5/2009	Kuenzel	
D705,645	S	5/2014	Bakos	
D754,880	S *	4/2016	Reusing	D25/133
D810,965	S *	2/2018	Whiteley	D25/133

(Continued)

1 Claim, 5 Drawing Sheets



(56)

References Cited

U.S. PATENT DOCUMENTS

D834,219 S * 11/2018 Pilja D25/133
D845,750 S 4/2019 Denby
D856,839 S 8/2019 Siminoff
10,385,563 B2 * 8/2019 Albartus E04B 1/4107
D867,106 S * 11/2019 Blattel D8/349
D867,121 S * 11/2019 Zalme D8/394
10,501,939 B2 * 12/2019 Nill F16B 9/02
D874,965 S 2/2020 Siminoff
D907,253 S * 1/2021 Hilmerson D25/133
D932,659 S * 10/2021 Muc D25/133
2006/0123726 A1 6/2006 Azarin
2009/0101779 A1 4/2009 Snider

* cited by examiner

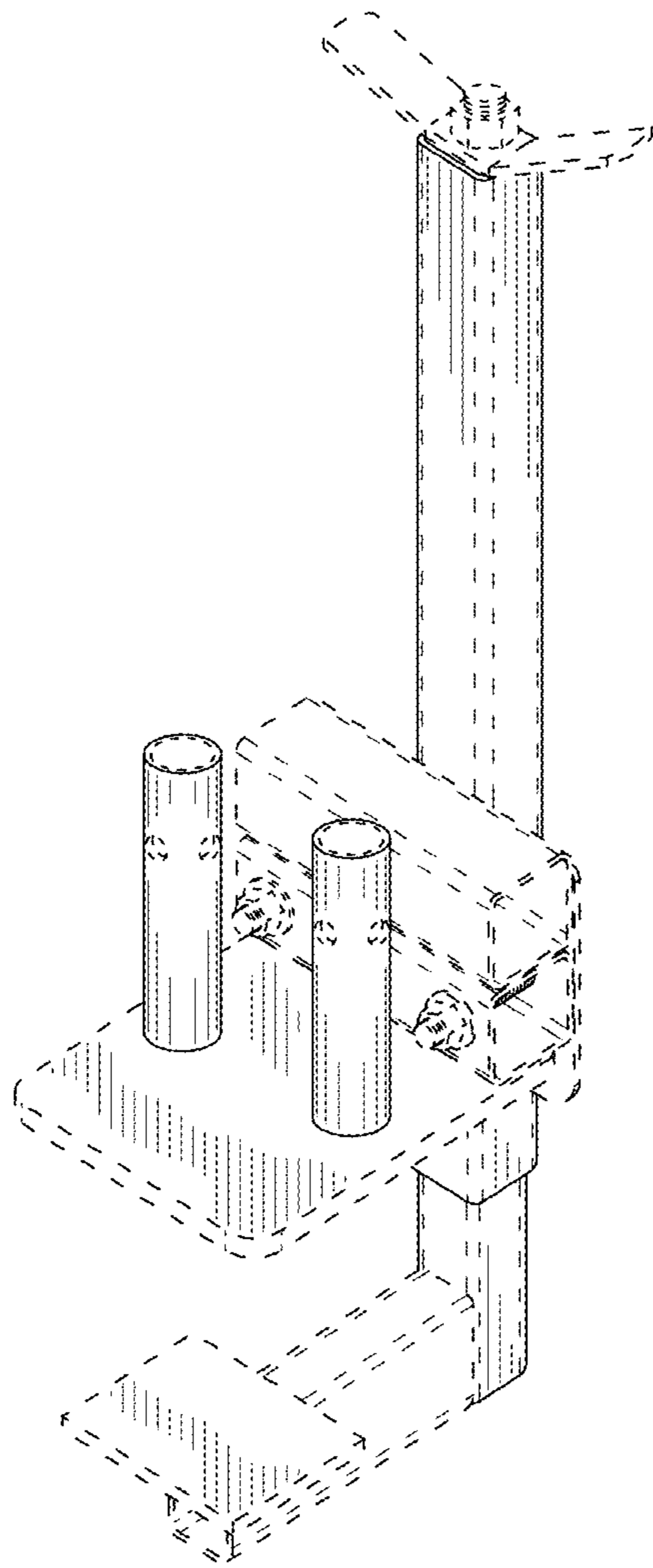


Fig. 1

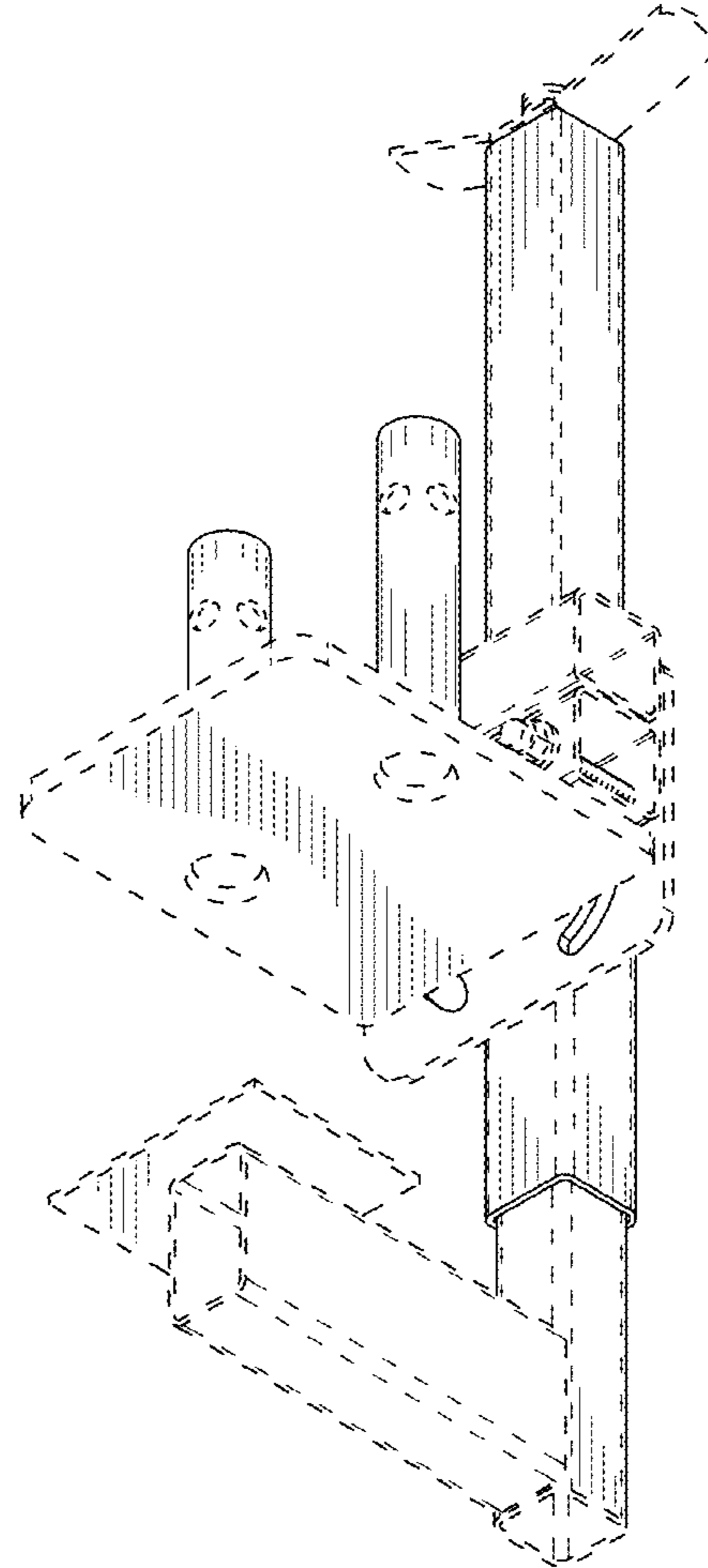


Fig. 2

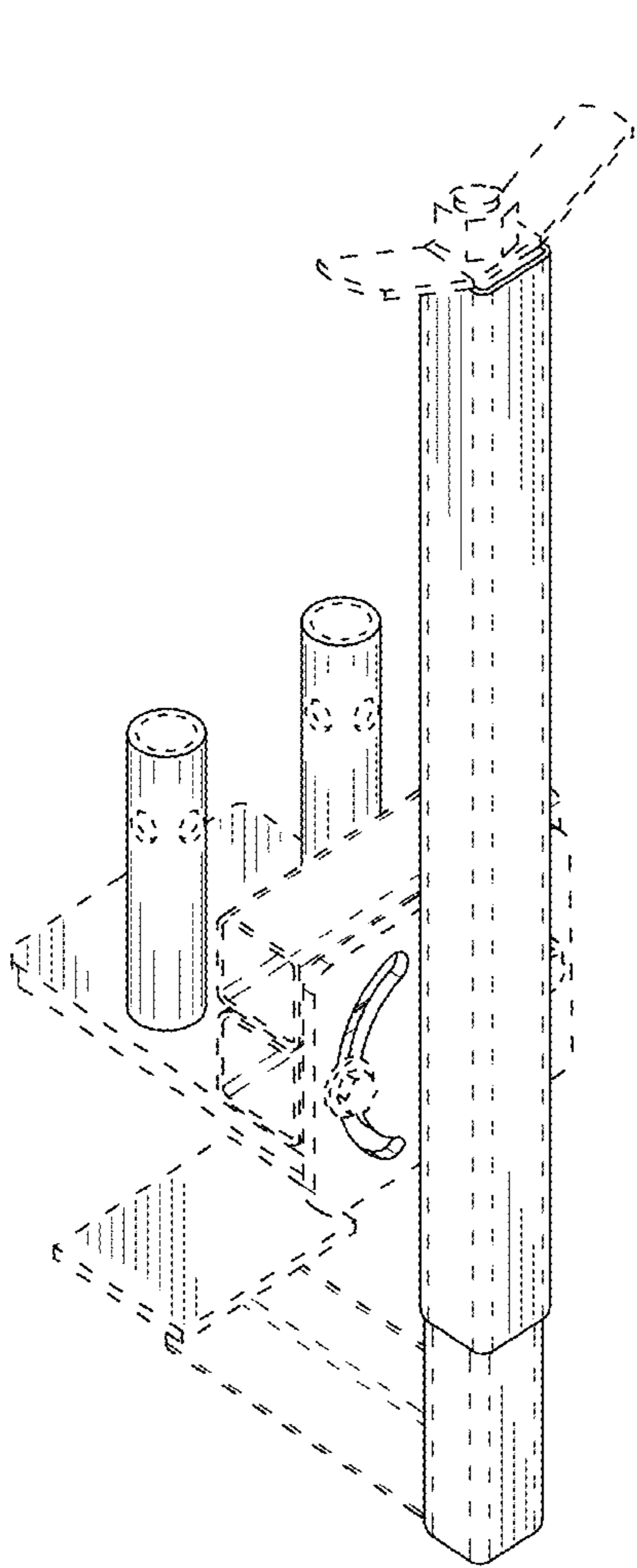


Fig. 3

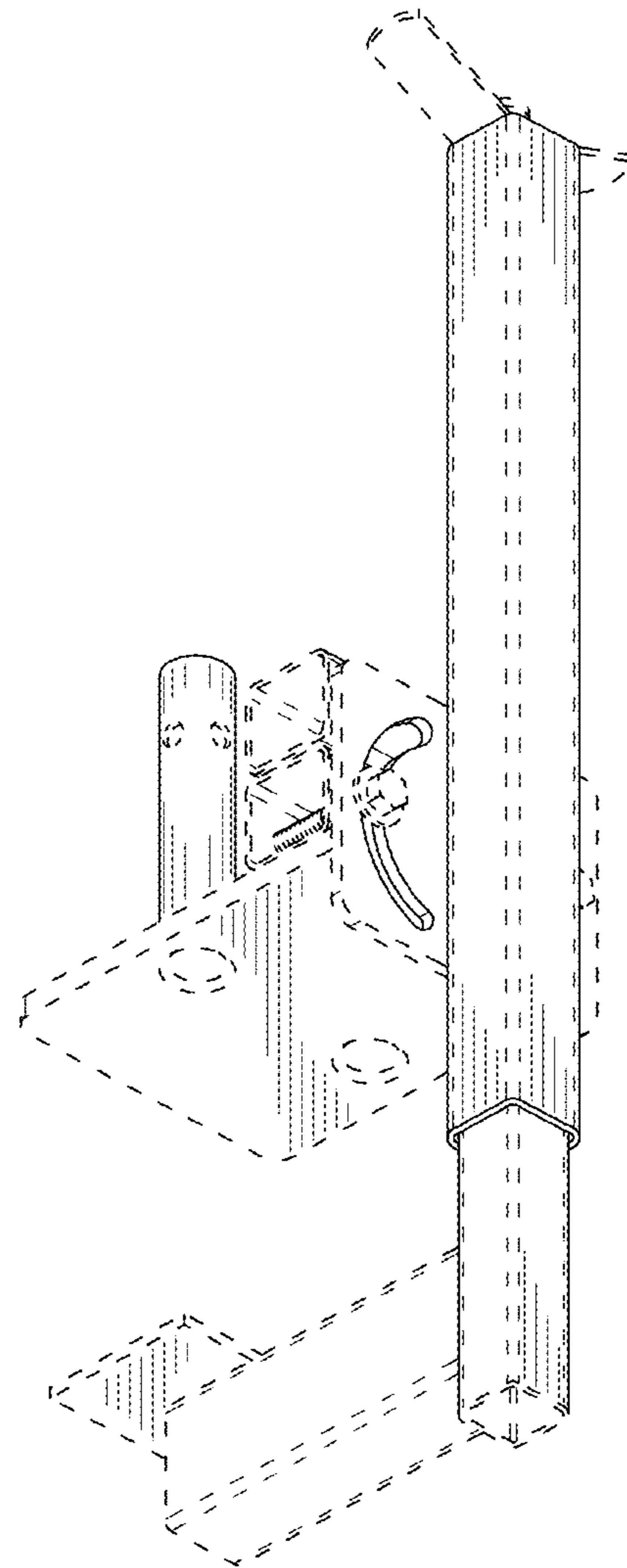


Fig. 4

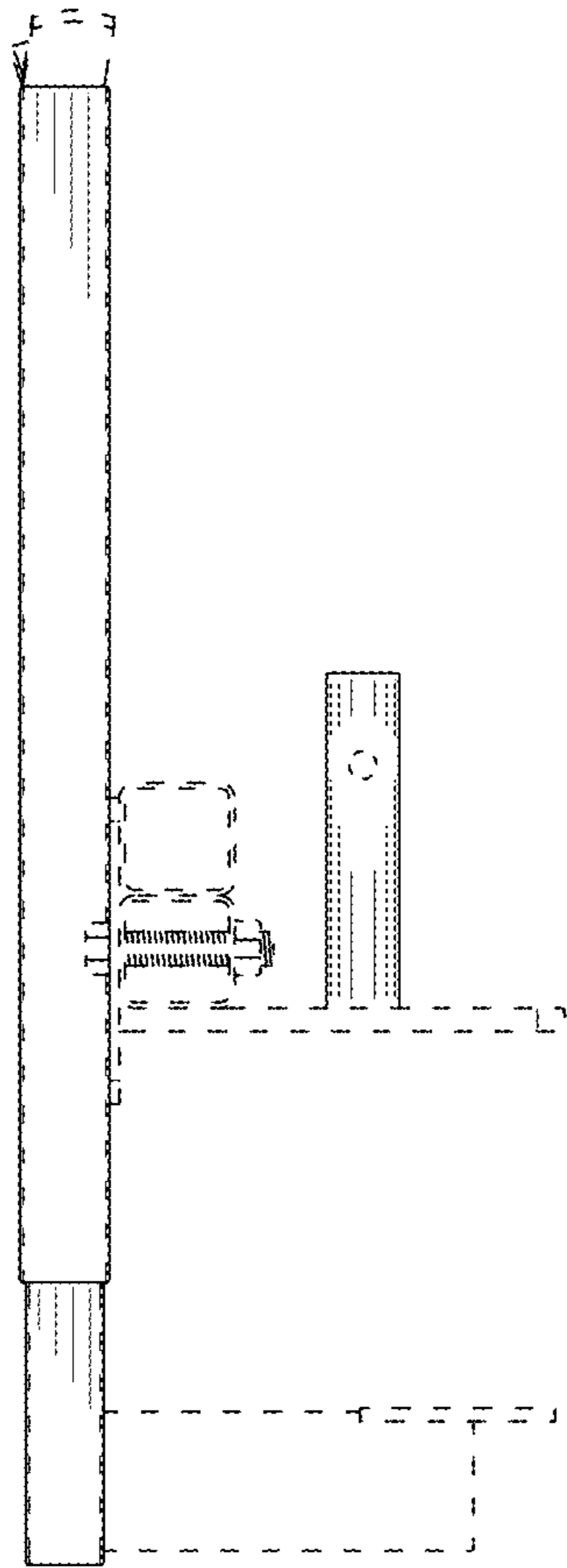


Fig. 5

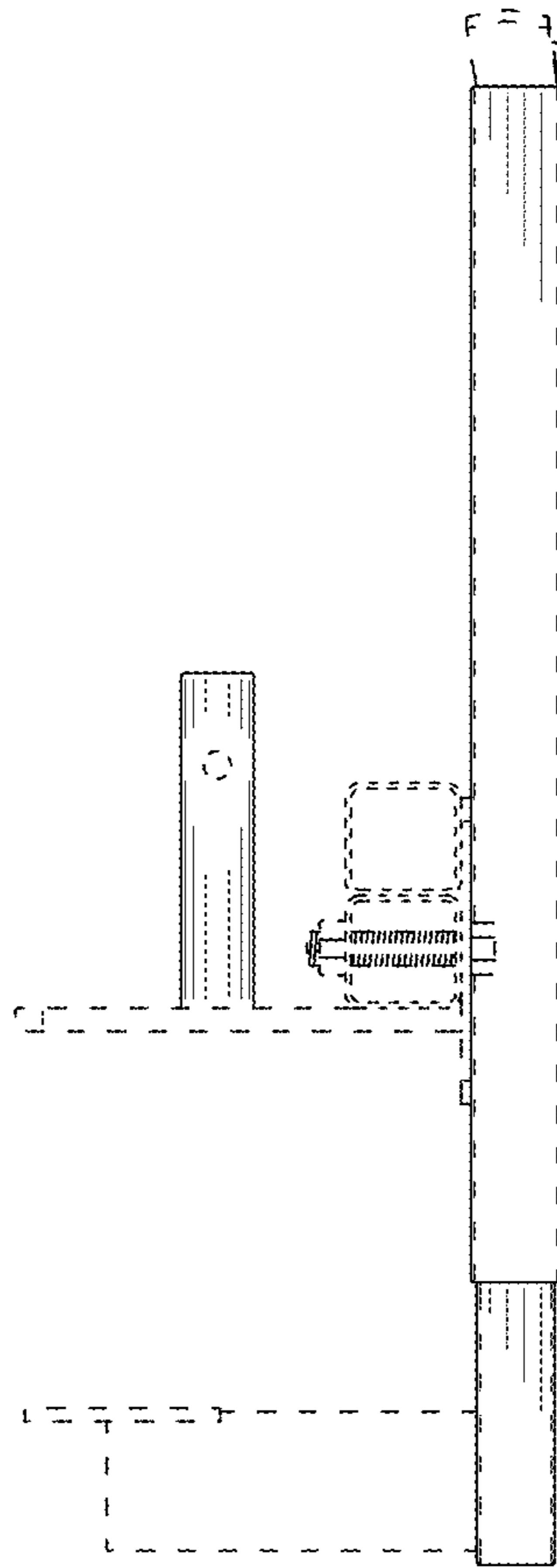


Fig. 6

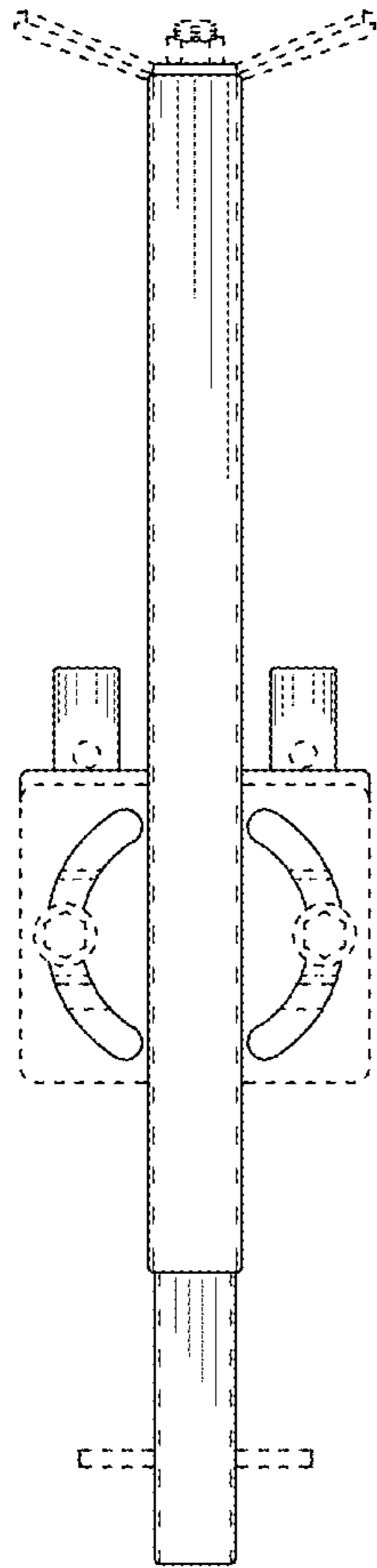


Fig. 7

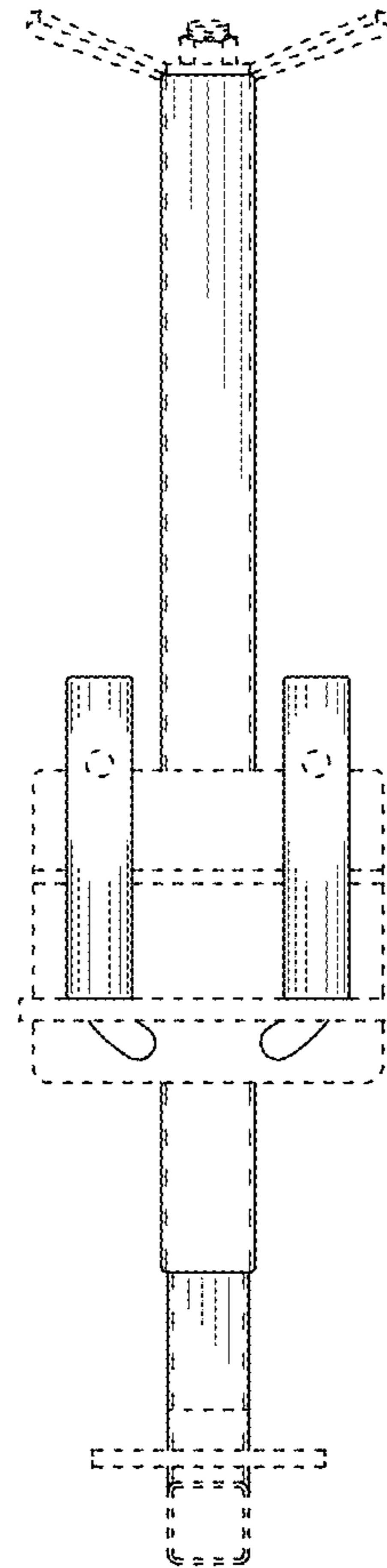


Fig. 8

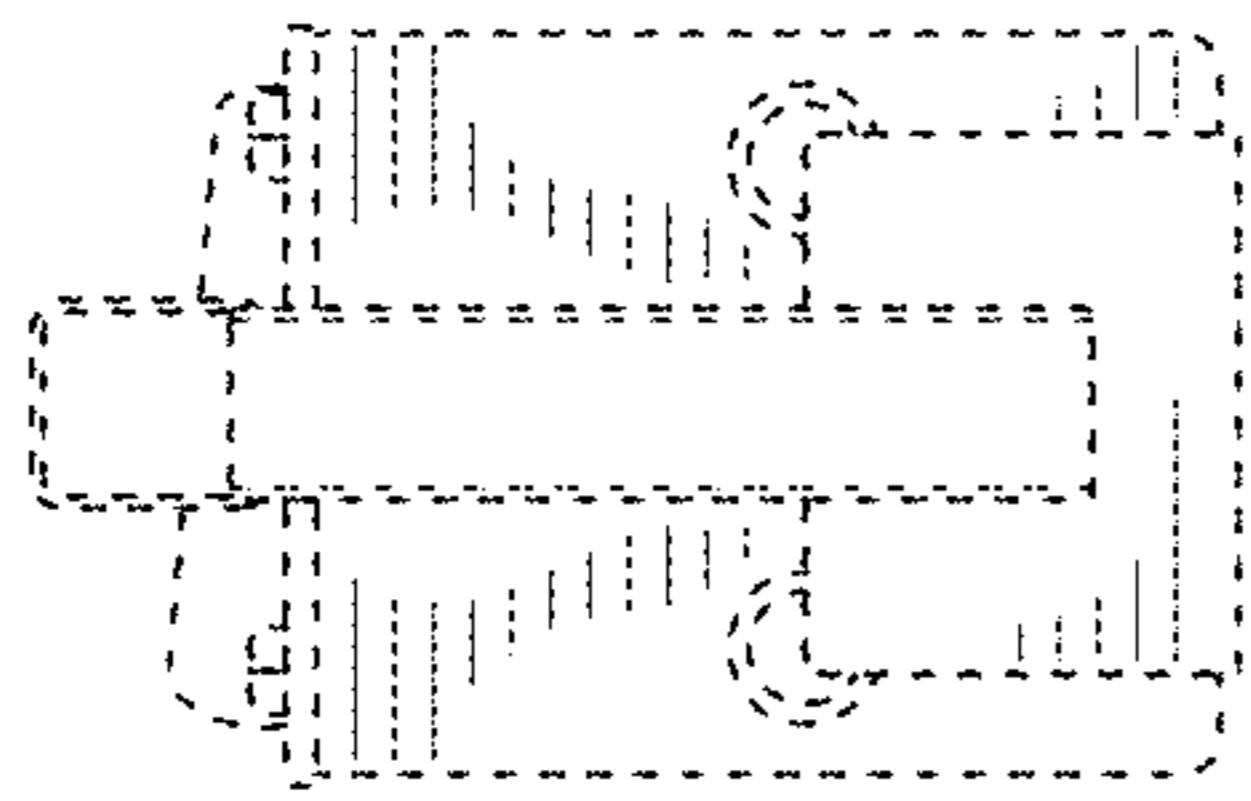


Fig. 9

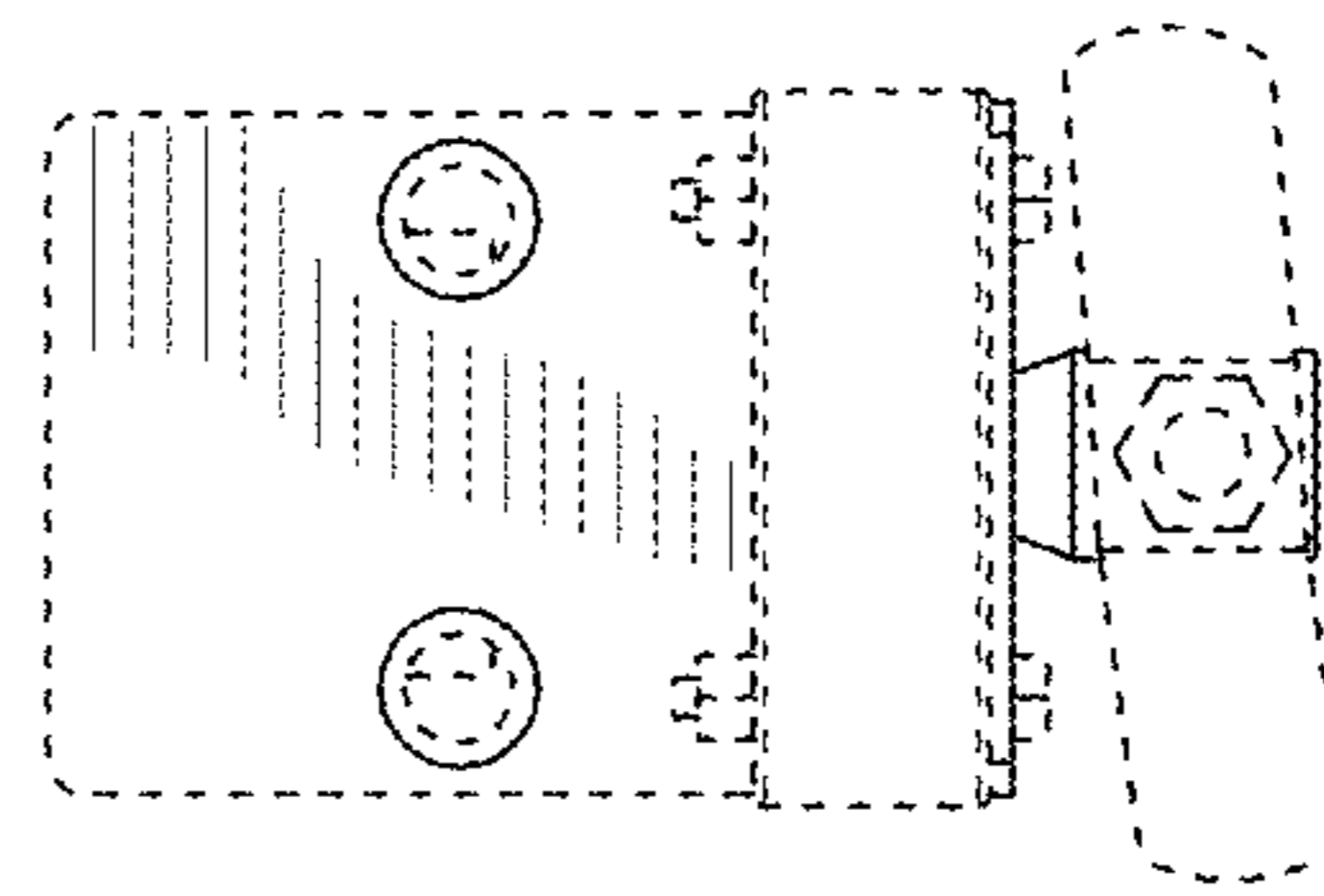


Fig. 10