



US00D962485S

(12) **United States Design Patent**
Price et al.

(10) **Patent No.:** **US D962,485 S**

(45) **Date of Patent:** **** Aug. 30, 2022**

- (54) **SIMULATED WOOD RETAINER**
- (71) Applicant: **Silver Creek Stoneworks Inc.,**
Rochester, MN (US)
- (72) Inventors: **Brian A. Price,** Rochester, MN (US);
Jeffrey Paul Price, Rochester, MN
(US)
- (73) Assignee: **Silver Creek Stoneworks Inc.,**
Rochester, MN (US)
- (**) Term: **15 Years**
- (21) Appl. No.: **29/780,053**
- (22) Filed: **Apr. 22, 2021**

D428,500 S	7/2000	Wederski	
D441,467 S	5/2001	Boone	
D462,788 S	9/2002	Thornton	
D567,397 S	4/2008	Terada	
D620,621 S	7/2010	McCurry	
D639,982 S	6/2011	Dean	
D671,230 S	11/2012	Lee	
8,302,355 B2	11/2012	Cook	
D679,423 S	4/2013	Rhee	
D686,350 S	7/2013	Mussini	
D732,191 S	6/2015	Price	
D732,195 S	6/2015	Price	
10,494,783 B2 *	12/2019	Jarvie E02D 17/18
10,612,207 B1	4/2020	Jordan	
2008/0187402 A1	8/2008	Jennings	

* cited by examiner

Primary Examiner — Doris Clark

(74) *Attorney, Agent, or Firm* — Fish & Richardson P.C.

Related U.S. Application Data

- (60) Continuation of application No. 29/761,104, filed on Dec. 7, 2020, now Pat. No. Des. 917,733, which is a division of application No. 29/675,156, filed on Dec. 28, 2018, now Pat. No. Des. 914,247.

(51) **LOC (13) Cl.** **25-01**

(52) **U.S. Cl.**
USPC **D25/126; D25/150**

(58) **Field of Classification Search**
USPC D25/126, 150
CPC E02D 29/0241; E02D 29/025; E02D
29/0266; E02D 5/02; E02D 5/03; Y10T
428/662

See application file for complete search history.

(56) **References Cited**

U.S. PATENT DOCUMENTS

D223,238 S *	4/1972	Watanabe D25/126
D239,295 S	3/1976	Dougherty	
4,313,775 A	2/1982	Moore	
D336,345 S	6/1993	Fasth	
5,295,339 A	3/1994	Manner	

(57) **CLAIM**

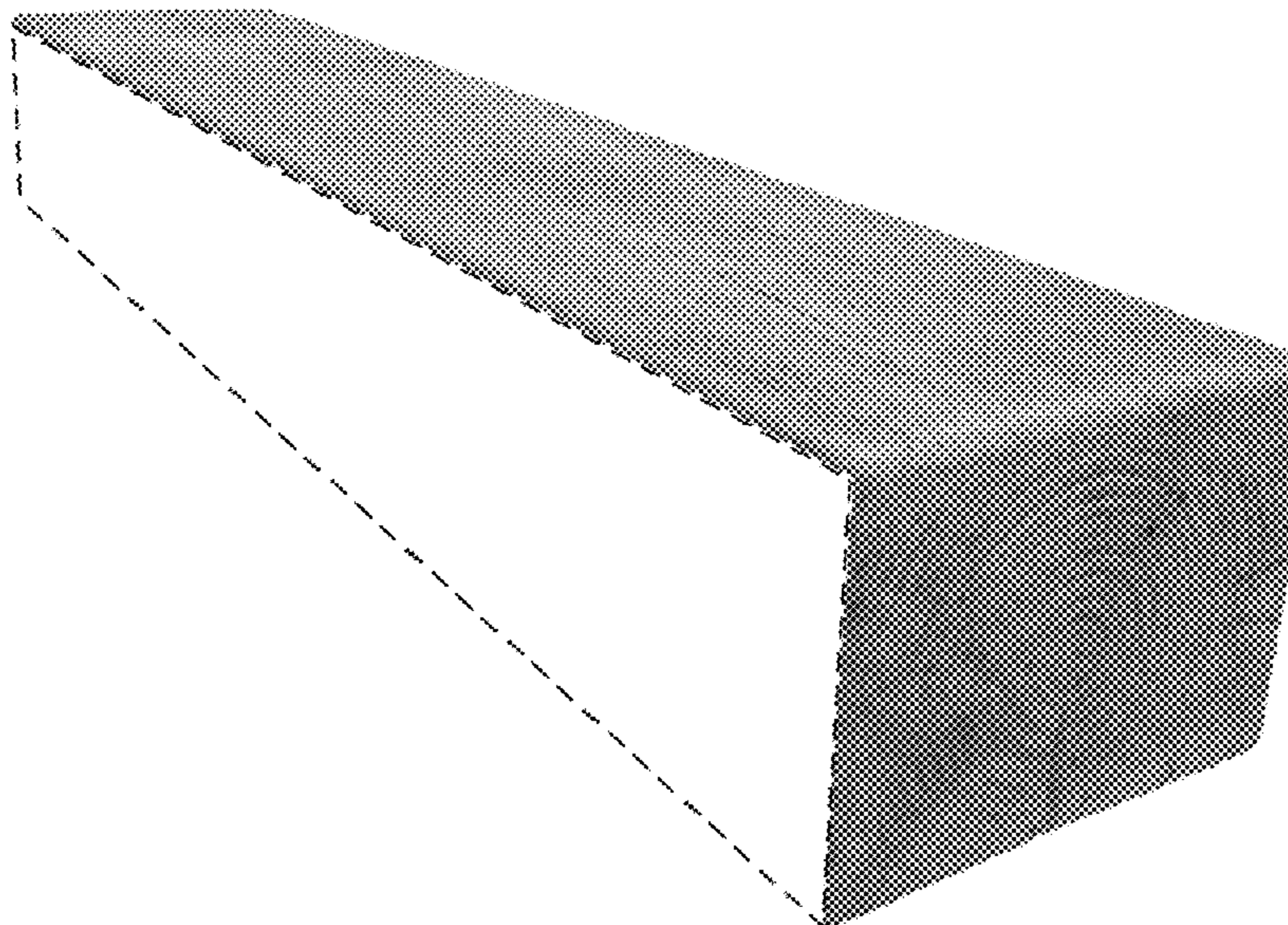
The ornamental design for a simulated wood retainer, substantially as shown and described.

DESCRIPTION

FIG. 1 is a perspective view of a simulated wood retainer. FIG. 2 is a front view of the simulated wood retainer of FIG. 1. FIG. 3 is a rear view of the simulated wood retainer of FIG. 1. FIG. 4 is a left side view of the simulated wood retainer of FIG. 1. FIG. 5 is a right side view of the simulated wood retainer of FIG. 1. FIG. 6 is a top view of the simulated wood retainer of FIG. 1; and, FIG. 7 is a bottom view of the simulated wood retainer of FIG. 1.

Broken lines are shown for the purpose of environmental structure and form no part of the claimed design.

1 Claim, 3 Drawing Sheets



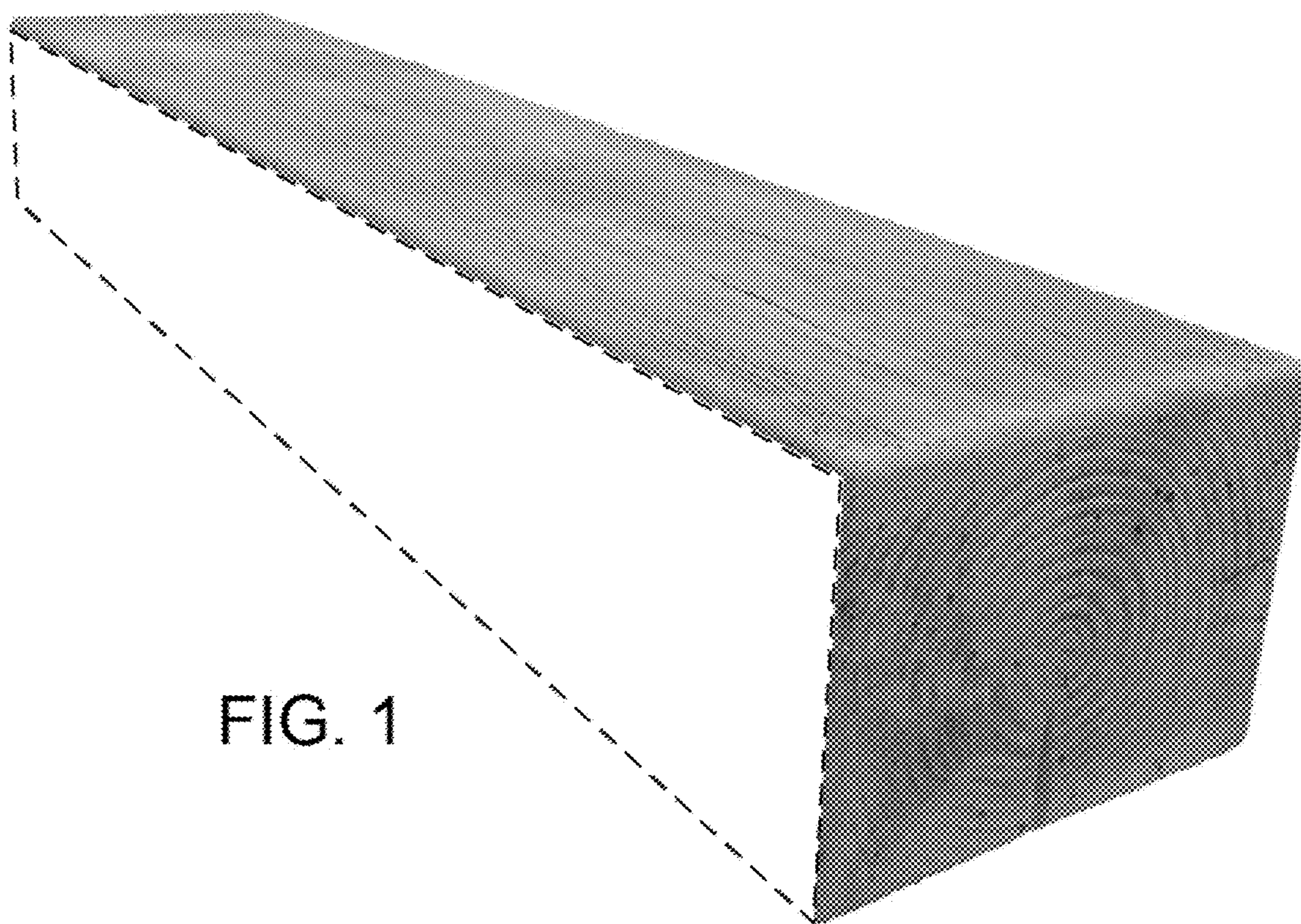


FIG. 1

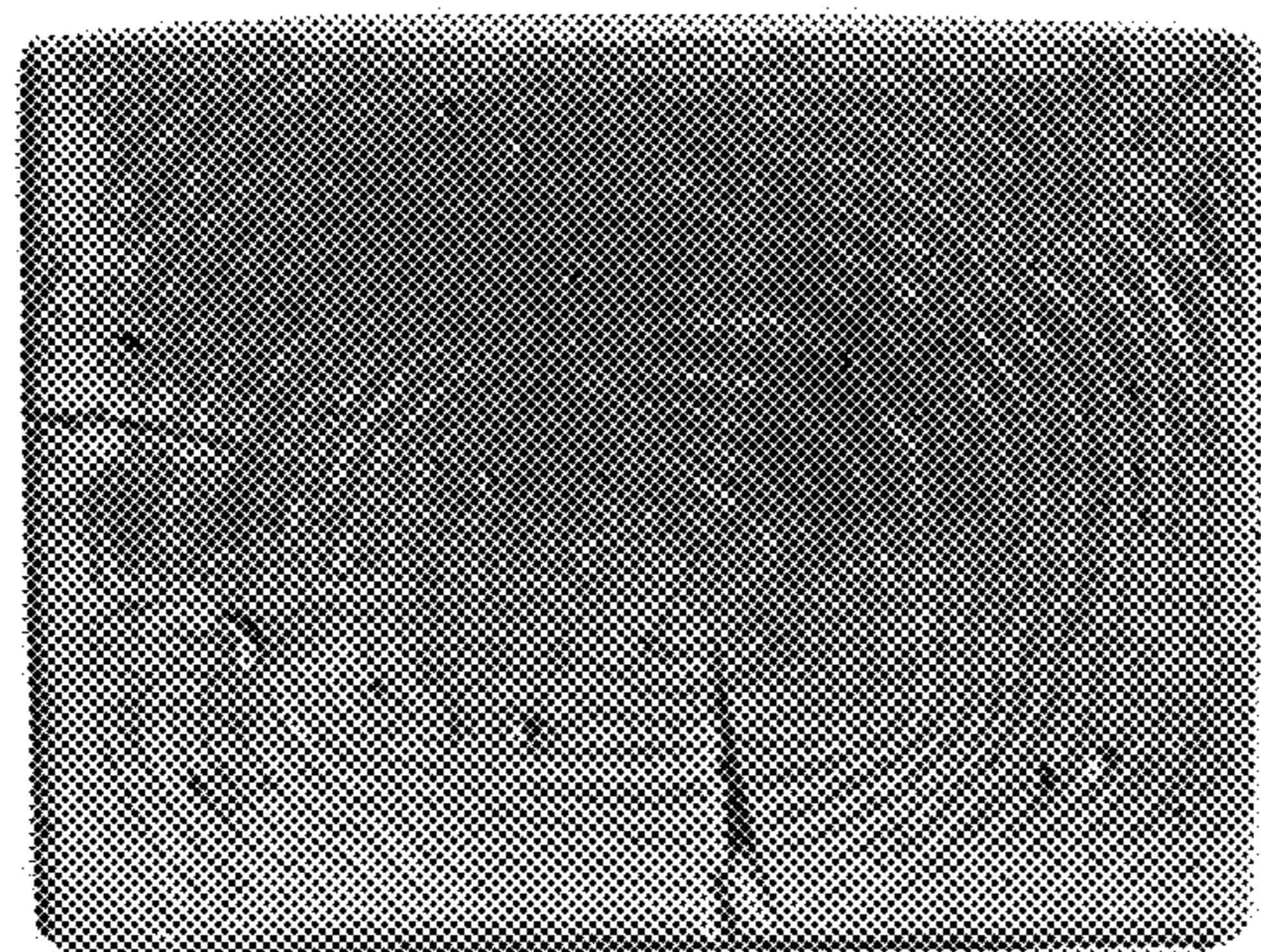


FIG. 2

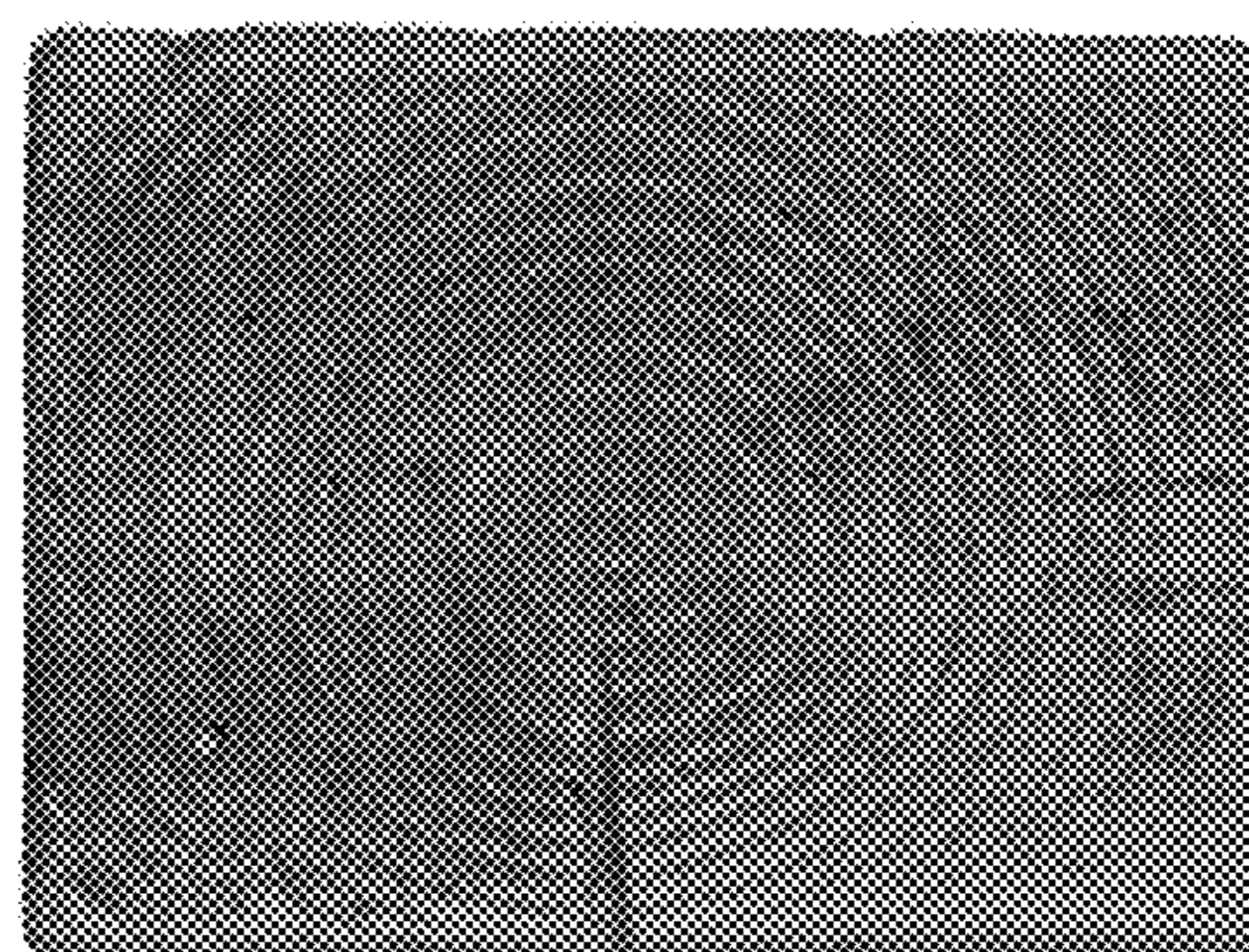


FIG. 3

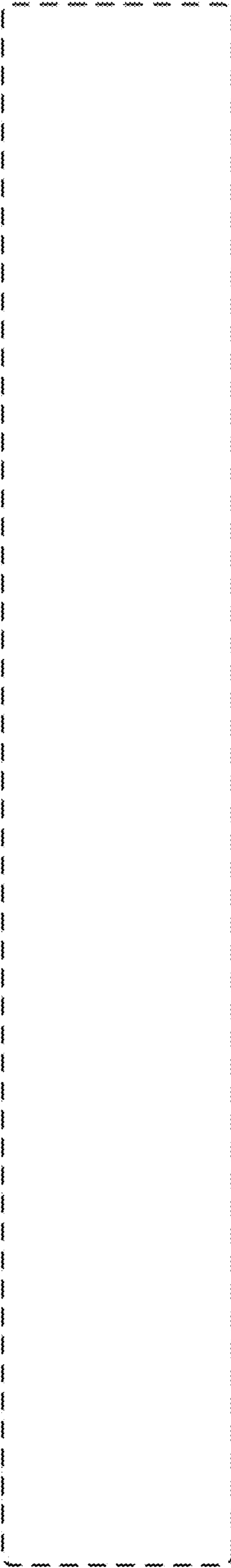


FIG. 4

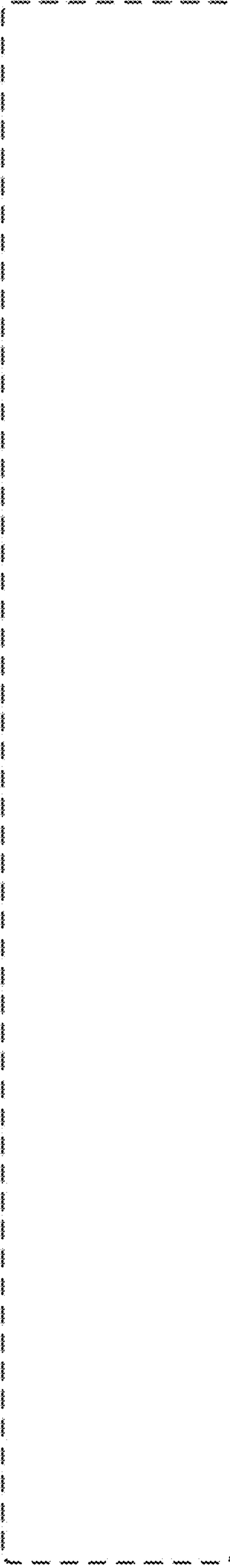


FIG. 5

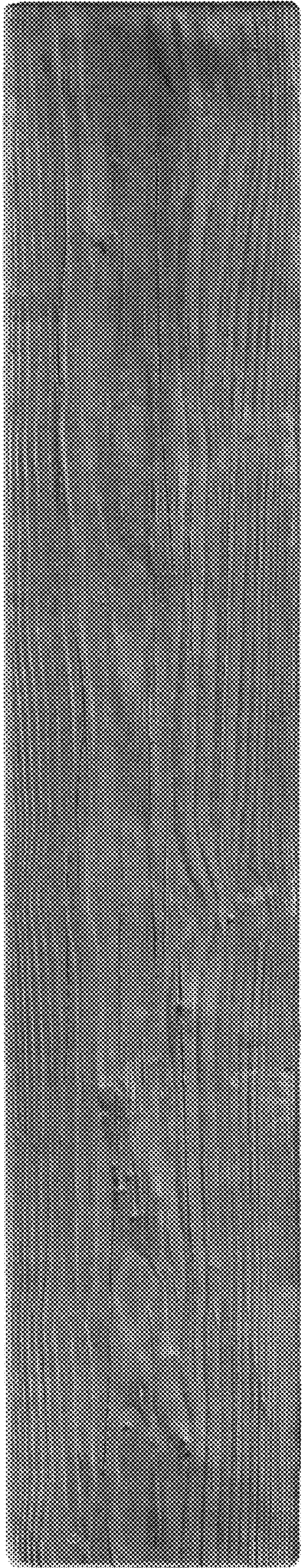


FIG. 6

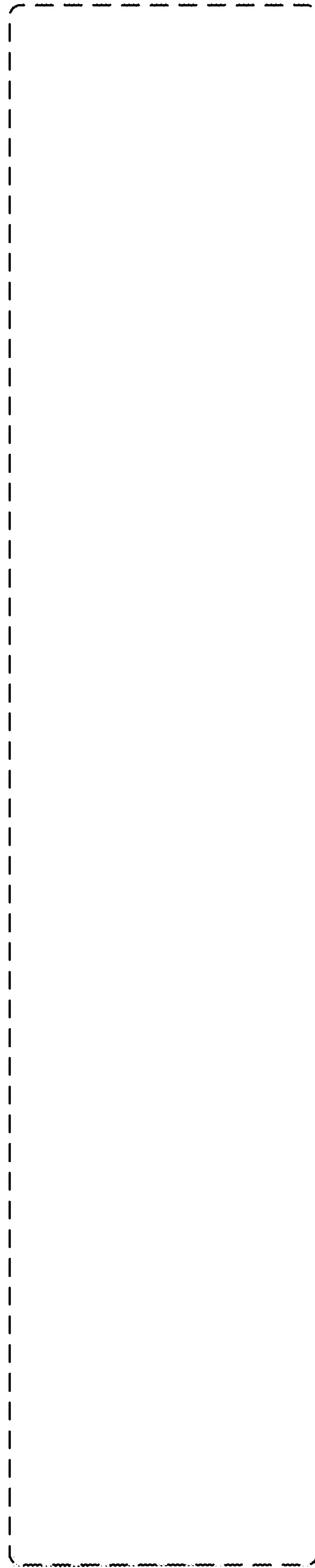


FIG. 7