



US00D962480S

(12) **United States Design Patent**  
**Lampe**

(10) **Patent No.:** **US D962,480 S**

(45) **Date of Patent:** **\*\* Aug. 30, 2022**

(54) **RETRACTABLE TELESCOPIC LADDER**

(71) Applicant: **Lampe Holding B.V.**, Bennebroek (NL)

(72) Inventor: **Caspar Bernard Lampe**, Bennebroek (NL)

(73) Assignee: **Lampe Holding B.V.**, Bennebroek (NL)

(\*\*) Term: **15 Years**

(21) Appl. No.: **29/724,937**

(22) Filed: **Feb. 20, 2020**

(51) **LOC (13) Cl.** ..... **25-04**

(52) **U.S. Cl.**  
USPC ..... **D25/64**

(58) **Field of Classification Search**  
USPC ..... D25/64, 68; 182/195, 88, 156  
CPC ... E06C 1/125; E06C 5/02; E06C 1/12; E06C 1/381; E06C 5/04; E06C 7/086; E06C 7/087; E06C 1/22  
See application file for complete search history.

(56) **References Cited**

**U.S. PATENT DOCUMENTS**

D365,402 S \* 12/1995 Jones ..... D25/64  
5,738,186 A \* 4/1998 Jones ..... E06C 1/125  
182/195

D677,799 S \* 3/2013 Goransson ..... D25/64  
D777,351 S \* 1/2017 Holmberg ..... D25/64  
10,161,184 B2 \* 12/2018 Lampe ..... E06C 1/125  
D904,641 S \* 12/2020 He ..... D25/64  
10,961,777 B2 \* 3/2021 Bernhardsson ..... E06C 1/125

\* cited by examiner

*Primary Examiner* — Gino Colan

(74) *Attorney, Agent, or Firm* — Troutman Pepper Hamilton Sanders LLP; Ryan A. Schneider

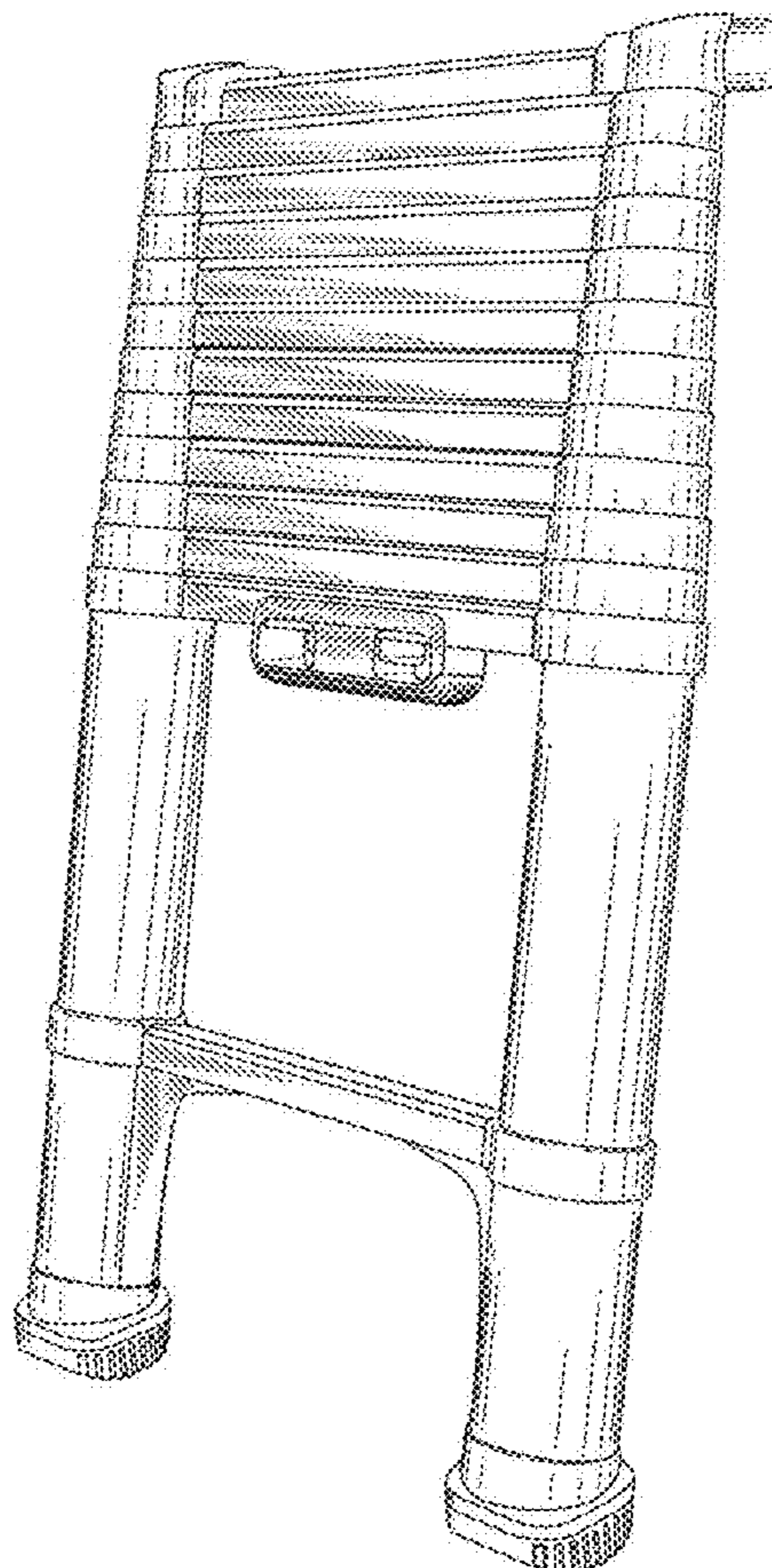
(57) **CLAIM**

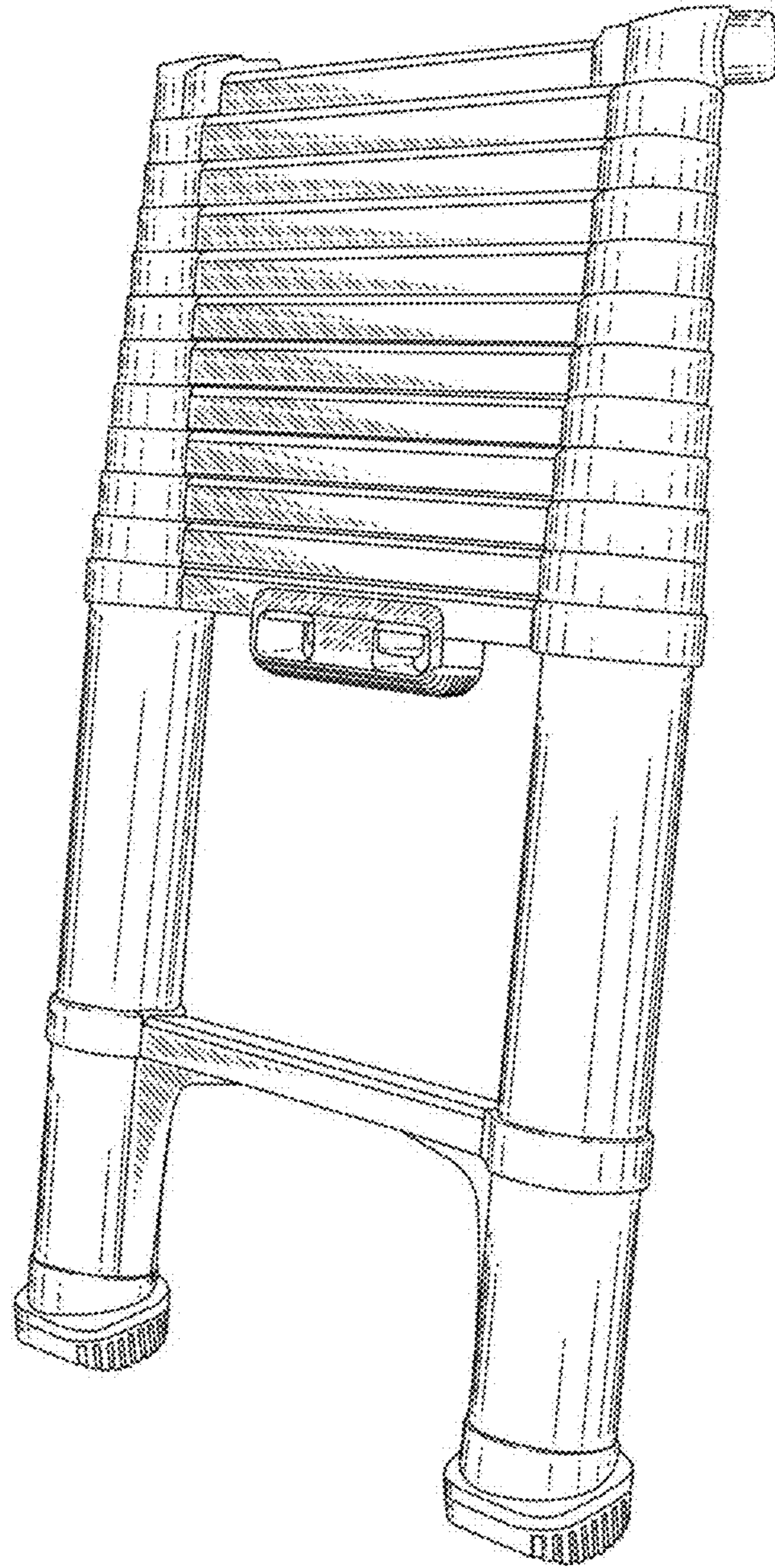
The ornamental design for a retractable telescopic ladder, as shown and described.

**DESCRIPTION**

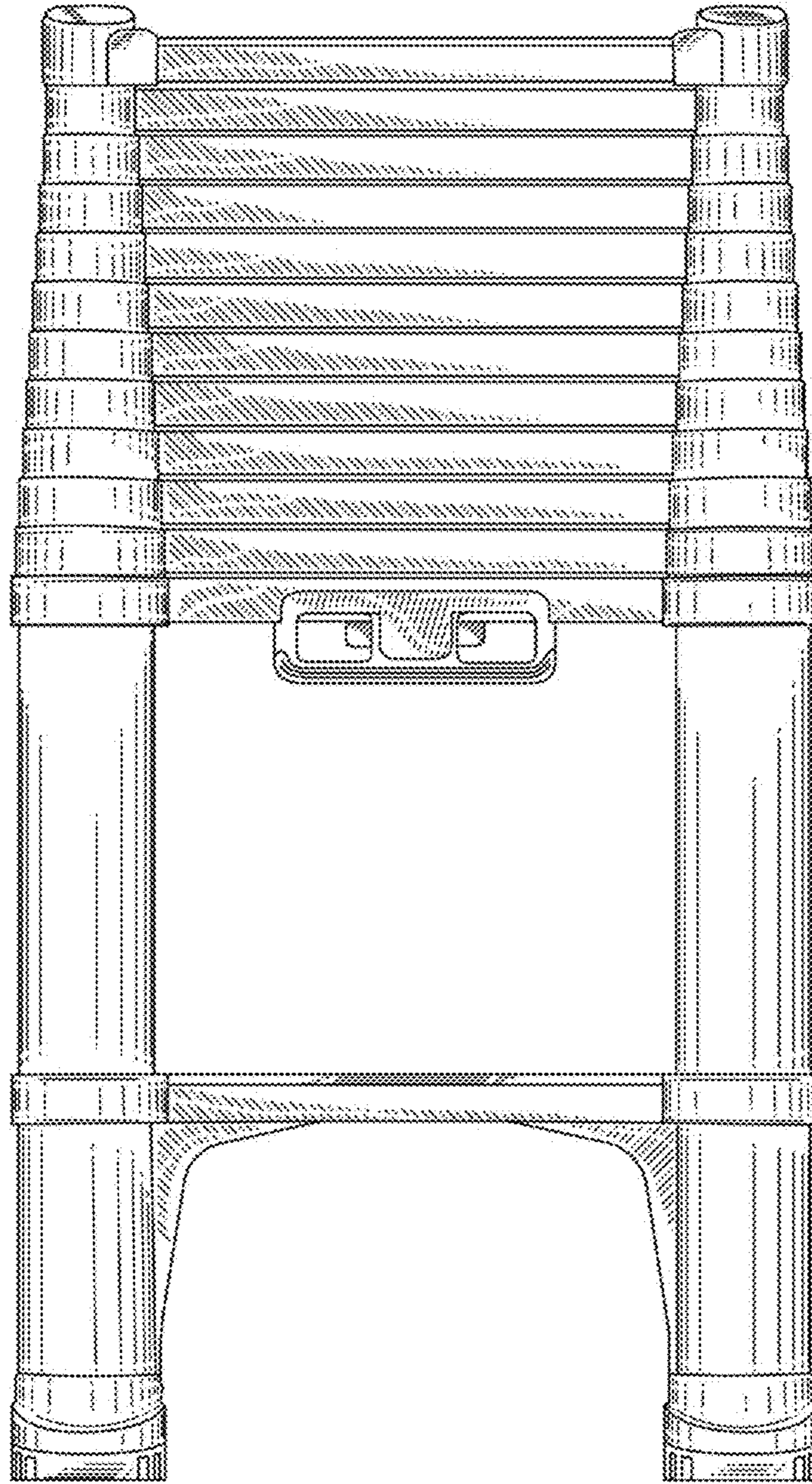
FIG. 1 is a perspective view of my new design for a retractable telescopic ladder;  
FIG. 2 is a front elevation view thereof;  
FIG. 3 is a rear elevation view thereof;  
FIG. 4 is a side elevation view thereof, the other side a mirror image thereof;  
FIG. 5 is a top plan view thereof; and,  
FIG. 6 is a bottom plan view thereof.

**1 Claim, 6 Drawing Sheets**

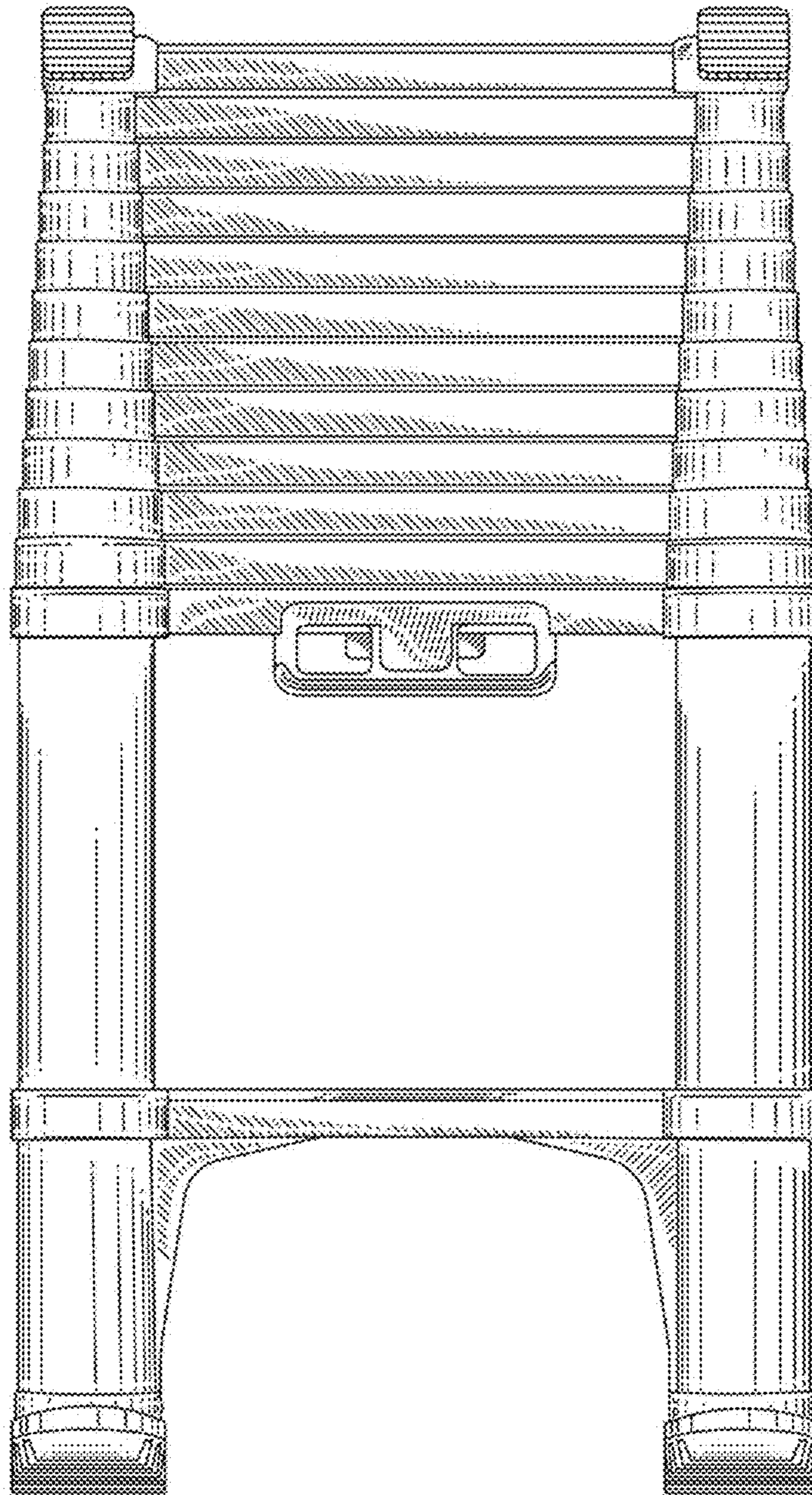




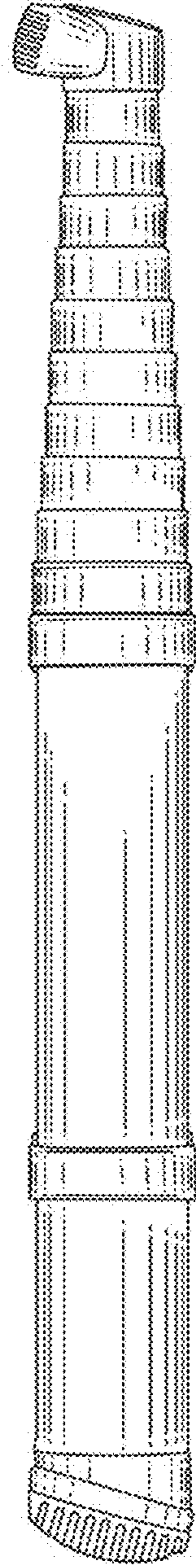
**FIG. 1**



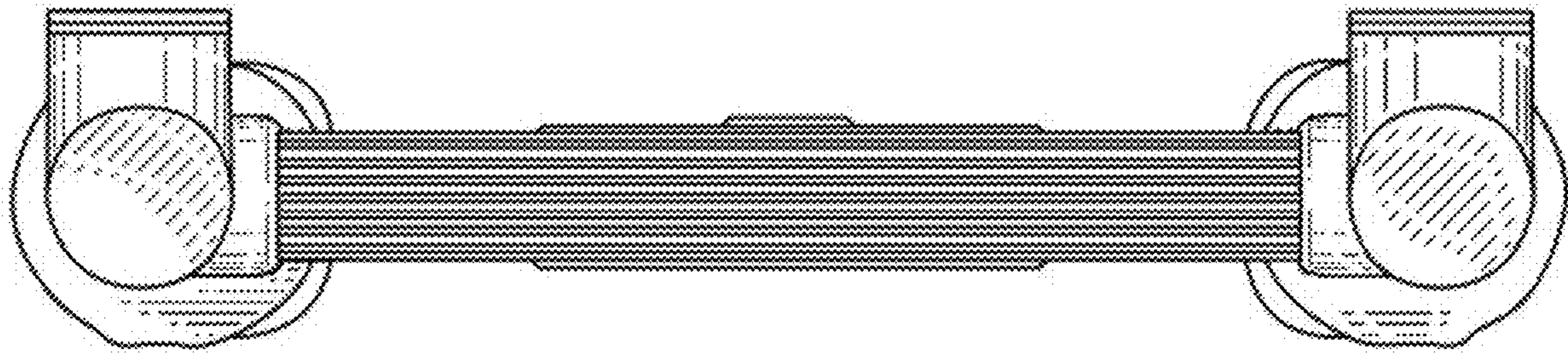
**FIG. 2**



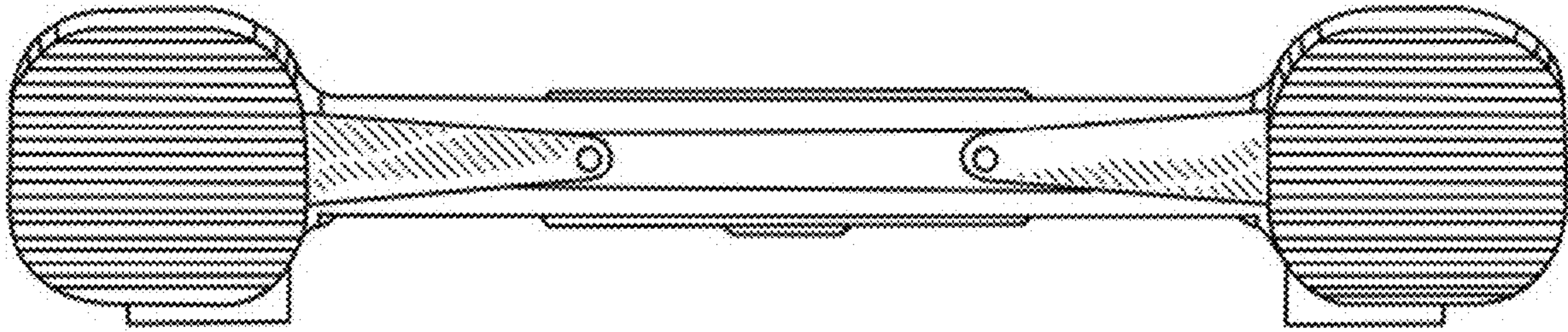
**FIG. 3**



**FIG. 4**



**FIG. 5**



**FIG. 6**