



US00D962479S

(12) **United States Design Patent**  
**Park et al.**

(10) **Patent No.:** **US D962,479 S**

(45) **Date of Patent:** **\*\* Aug. 30, 2022**

(54) **INDOOR WALL WITH BUILT-IN HOME APPLIANCES**

(71) Applicant: **LG ELECTRONICS INC.**, Seoul (KR)

(72) Inventors: **Kyusuh Park**, Seoul (KR); **Junghan Ryu**, Seoul (KR); **Yunjoo Kim**, Seoul (KR); **Taeho Kim**, Seoul (KR); **Kisang Jung**, Seoul (KR); **Hwasuk Shim**, Seoul (KR); **Youngkyoung Kim**, Seoul (KR); **Jipyo Hong**, Seoul (KR); **Chulmin Lim**, Seoul (KR); **Bumsang Lee**, Seoul (KR); **Mijin Jung**, Seoul (KR); **Junghyun Joo**, Seoul (KR); **Jaemyo Shim**, Seoul (KR); **Junki Kim**, Seoul (KR)

(73) Assignee: **LG ELECTRONICS INC.**, Seoul (KR)

(\*\*) Term: **15 Years**

(21) Appl. No.: **29/729,169**

(22) Filed: **Mar. 24, 2020**

(30) **Foreign Application Priority Data**

Sep. 25, 2019 (KR) ..... 30-2019-0046023

(51) **LOC (13) Cl.** ..... **25-02**

(52) **U.S. Cl.**  
USPC ..... **D25/58**

(58) **Field of Classification Search**  
USPC ..... D6/329, 332, 553, 559, 672, 673, 675;  
D13/162, 164, 171, 177, 199; D14/128,  
D14/129, 217, 366, 371, 374, 389,  
D14/432-434; D21/811, 814, 818, 826;  
D25/58, 138, 199

(Continued)

(56) **References Cited**

U.S. PATENT DOCUMENTS

D180,902 S \* 9/1957 Goundie et al. .... D21/826  
D191,502 S \* 10/1961 Rutkin ..... D25/58

(Continued)

*Primary Examiner* — Leanne Was-Englehart

(74) *Attorney, Agent, or Firm* — Birch Stewart Kolasch & Birch, LLP

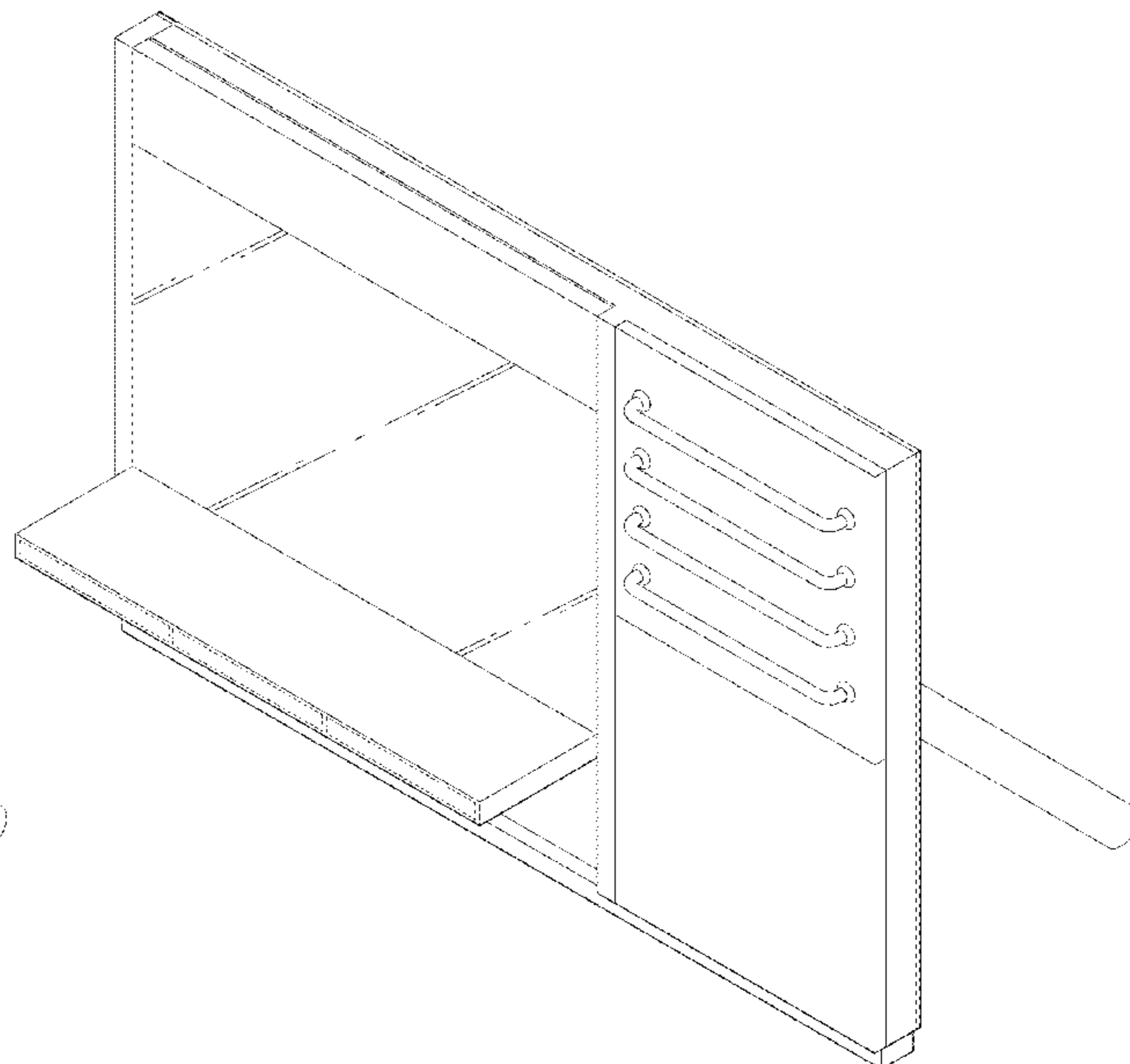
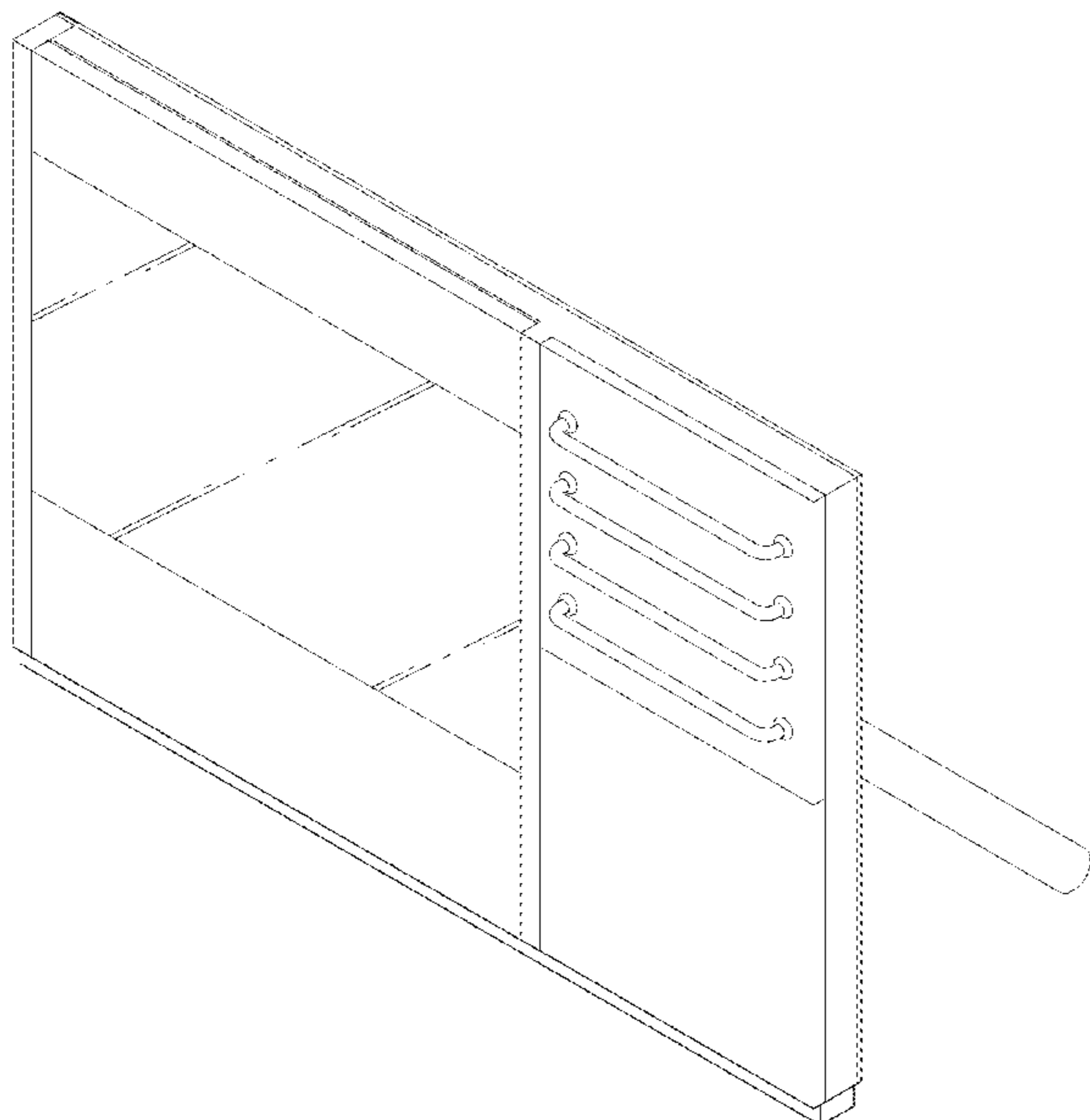
(57) **CLAIM**

The ornamental design for an indoor wall with built-in home appliances, as shown and described.

**DESCRIPTION**

FIG. 1 is a front perspective view of the indoor wall with built-in home appliances showing our new design; FIG. 2 is a front view thereof; FIG. 3 is a rear view thereof; FIG. 4 is a left view thereof; FIG. 5 is a right view thereof; FIG. 6 is a top view thereof; FIG. 7 is a bottom view thereof; FIG. 8 is a reference view showing the state of use that the TV which is installed at the front center of the left part can be used; FIG. 9 is a front perspective view in a condition that the table at the left bottom of the front has been pulled out; FIG. 10 is a front view of FIG. 9; FIG. 11 is a rear view of FIG. 9; FIG. 12 is a left view of FIG. 9; FIG. 13 is a right view of FIG. 9; FIG. 14 is a top view of FIG. 9; and, FIG. 15 is a bottom view of FIG. 9. The dash-dash broken lines in FIG. 8 depict environment that forms no part of the claimed design. The broken lines in FIGS. 7, 9 and 10 depict portions of the indoor wall with built-in home appliances that form no part of the claimed design.

**1 Claim, 15 Drawing Sheets**



(58) **Field of Classification Search**

CPC ..... H04N 5/64; A47B 81/06; A47B 96/04;  
E04B 2/00; E04B 2/72; E04B 2/74;  
H05K 7/18; H05K 7/186

See application file for complete search history.

(56) **References Cited**

U.S. PATENT DOCUMENTS

D303,826 S \* 10/1989 Aker ..... D21/818  
D330,646 S \* 11/1992 Maas ..... D25/58  
D400,948 S \* 11/1998 Fish, Jr. .... D21/818  
D661,124 S \* 6/2012 Curbbun ..... D6/675  
8,375,648 B1 \* 2/2013 O'Sullivan ..... G09F 15/0006  
52/71  
D771,764 S \* 11/2016 Stenzel ..... D21/826  
D780,938 S \* 3/2017 McGrath ..... D25/58  
D847,287 S \* 4/2019 Chen ..... D21/818  
D922,356 S \* 6/2021 Lee ..... D14/217  
D931,663 S \* 9/2021 Tio ..... D6/675  
D938,389 S \* 12/2021 Park ..... D14/217  
D938,390 S \* 12/2021 Park ..... D14/217  
D938,391 S \* 12/2021 Park ..... D14/217  
D938,392 S \* 12/2021 Park ..... D14/217  
D938,393 S \* 12/2021 Park ..... D14/217  
D938,394 S \* 12/2021 Park ..... D14/217  
D938,395 S \* 12/2021 Park ..... D14/217  
D938,396 S \* 12/2021 Kim ..... D14/217

\* cited by examiner

FIG. 1

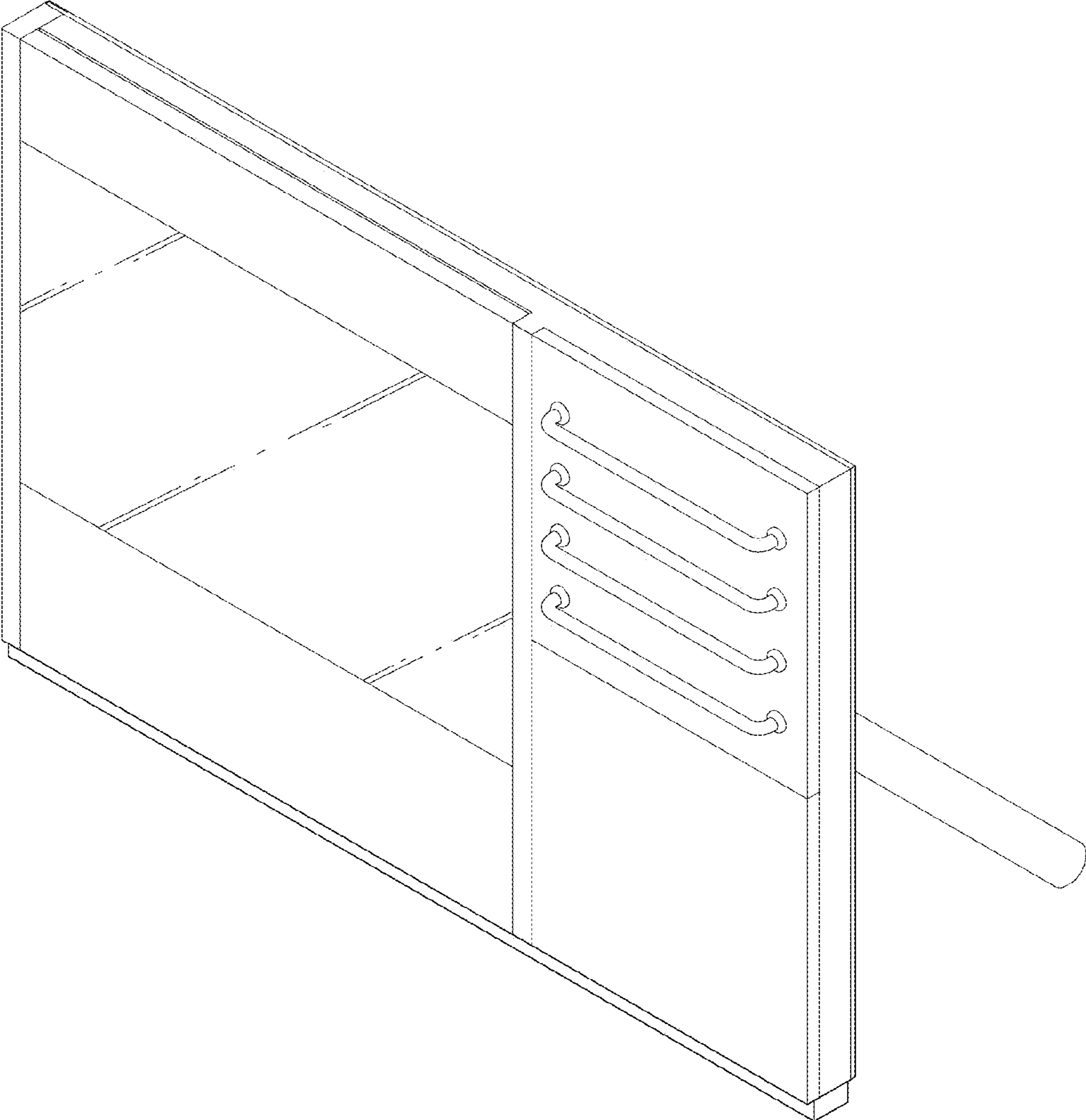


FIG. 2

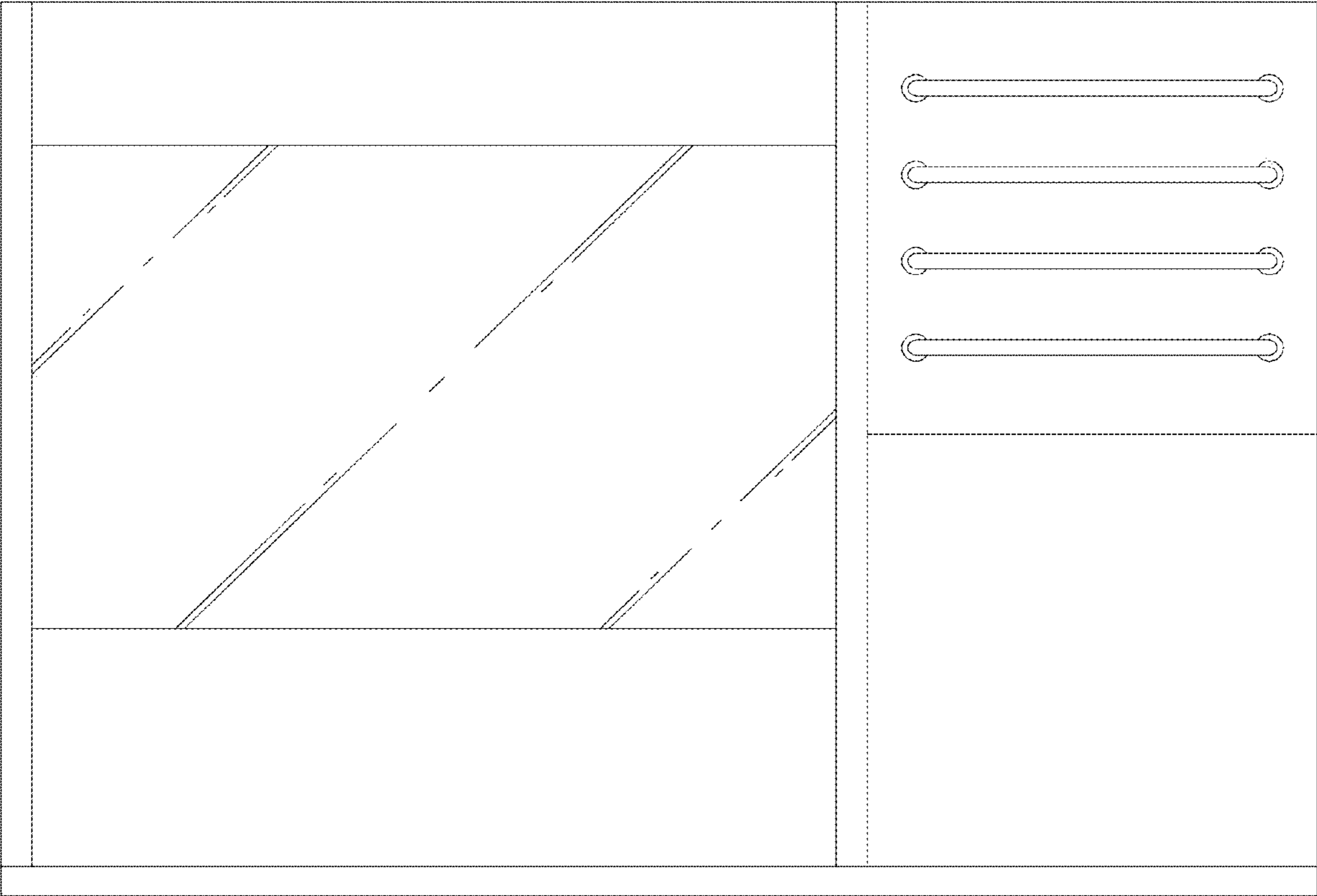


FIG. 3

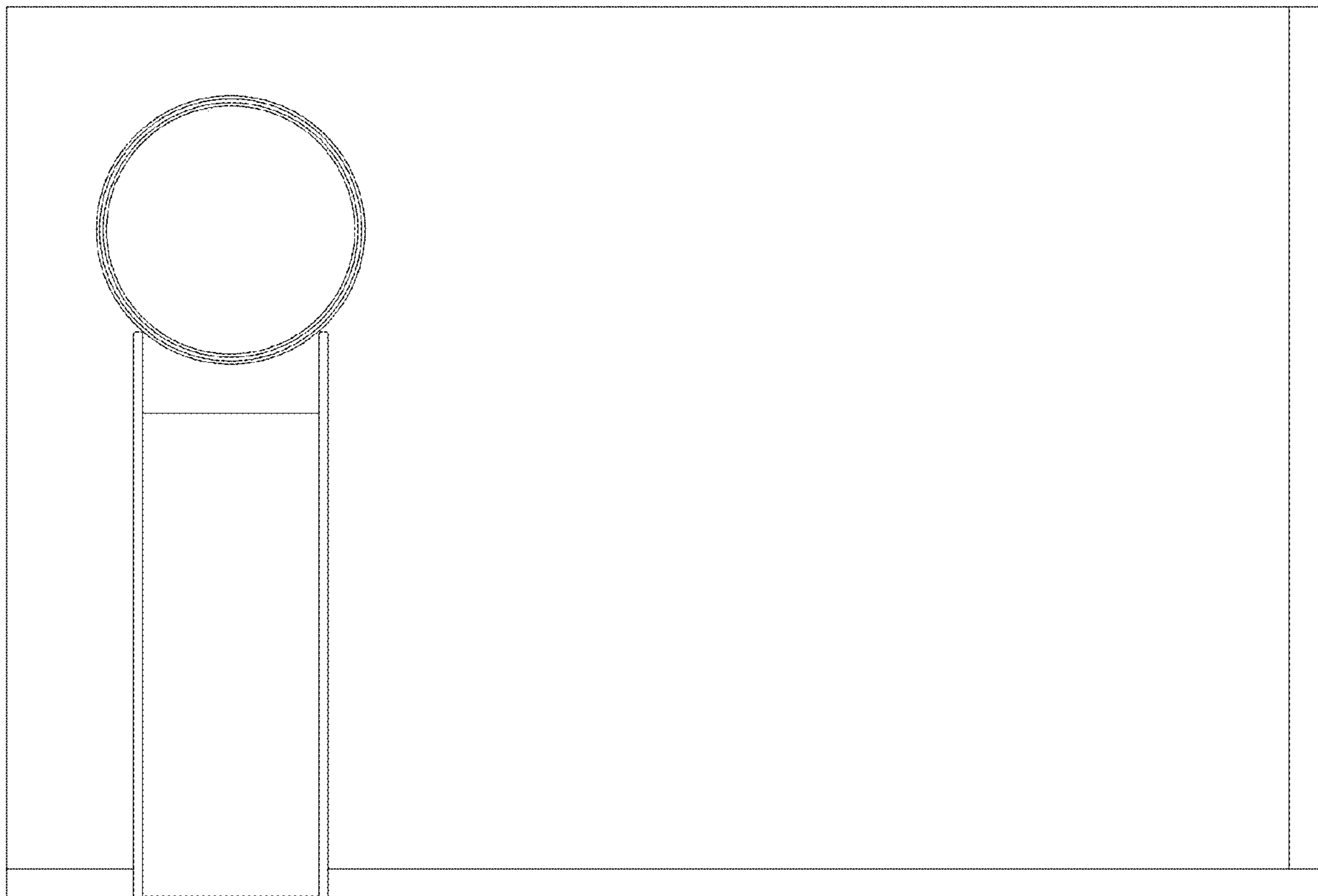


FIG. 4

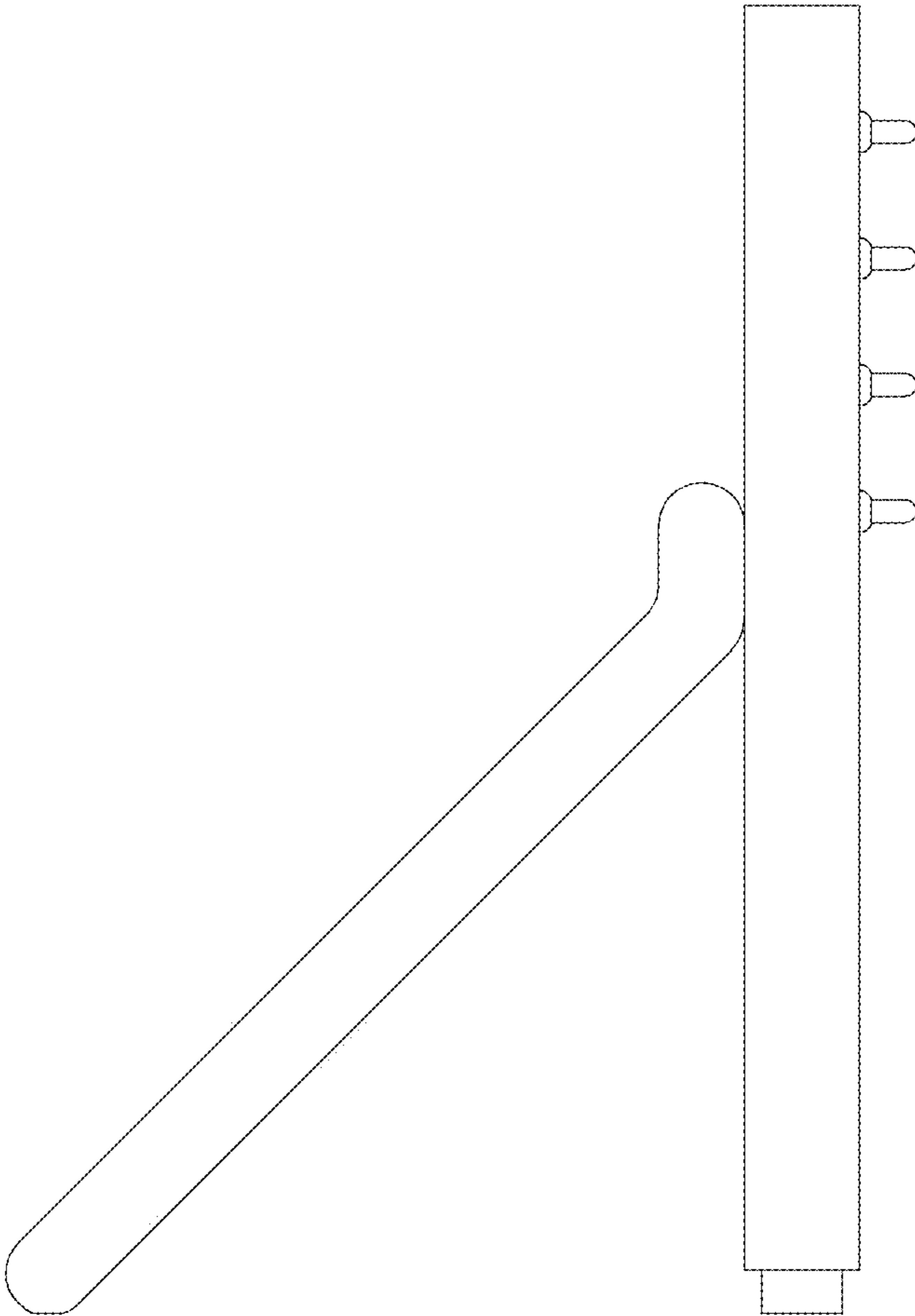


FIG. 5

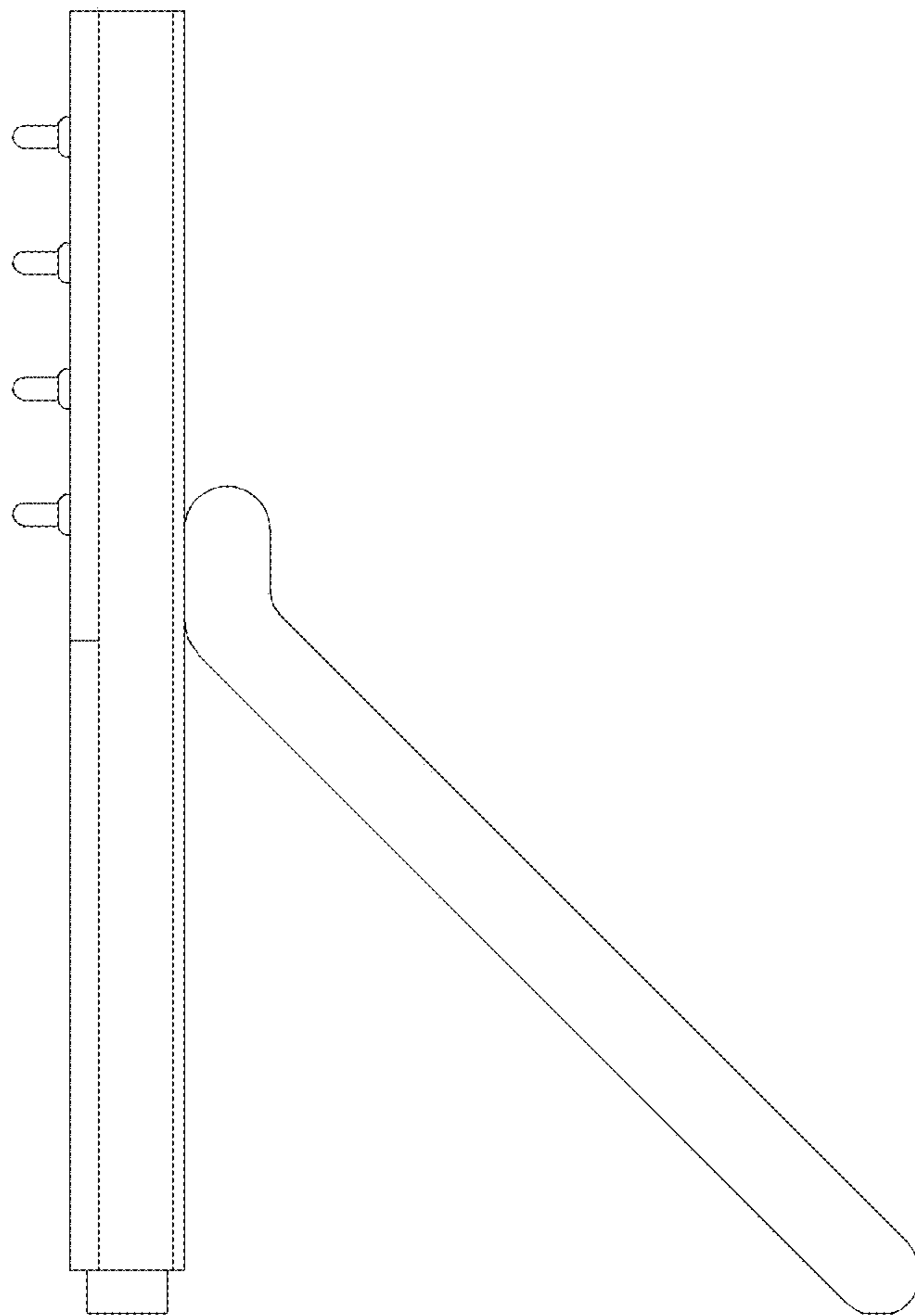


FIG. 6

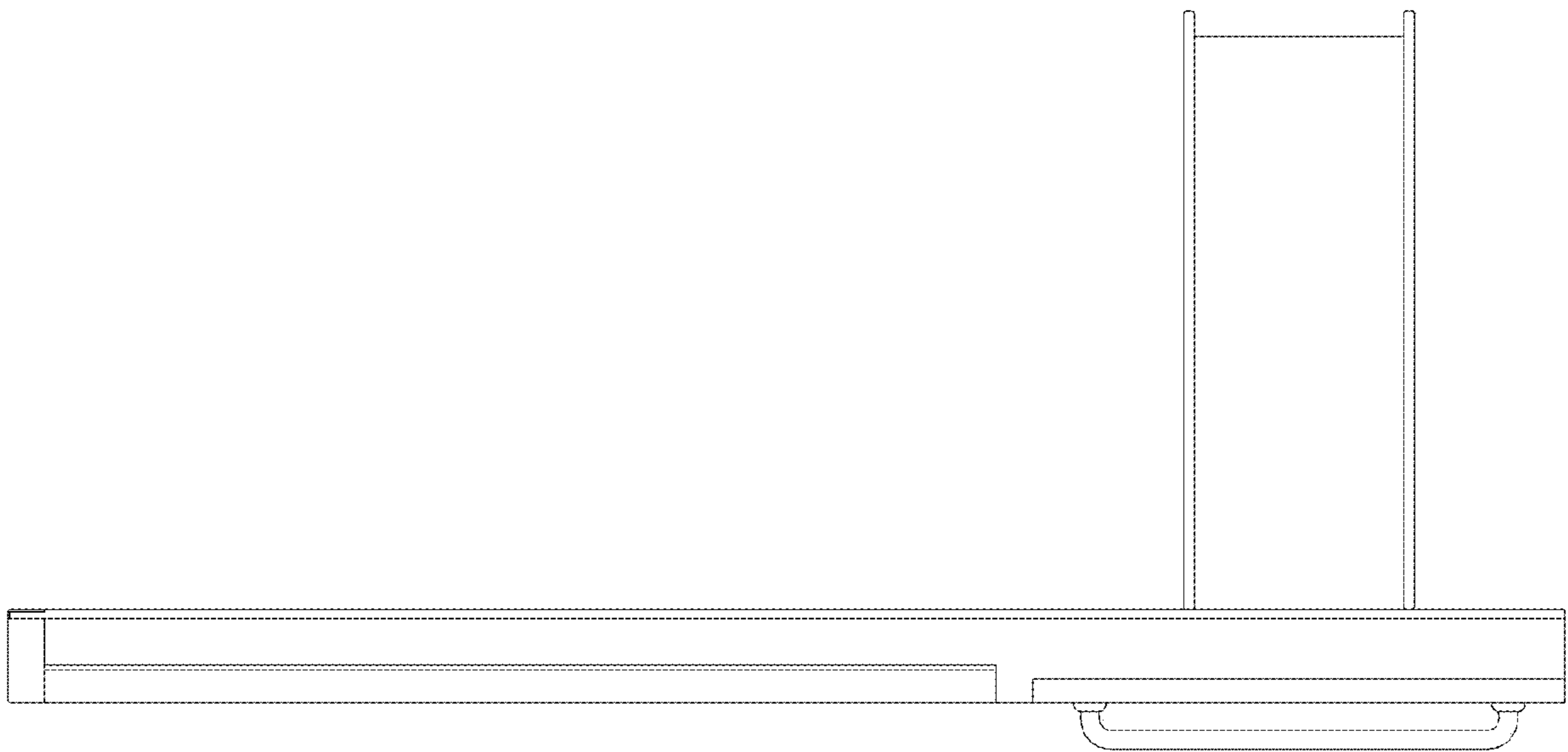




FIG. 7

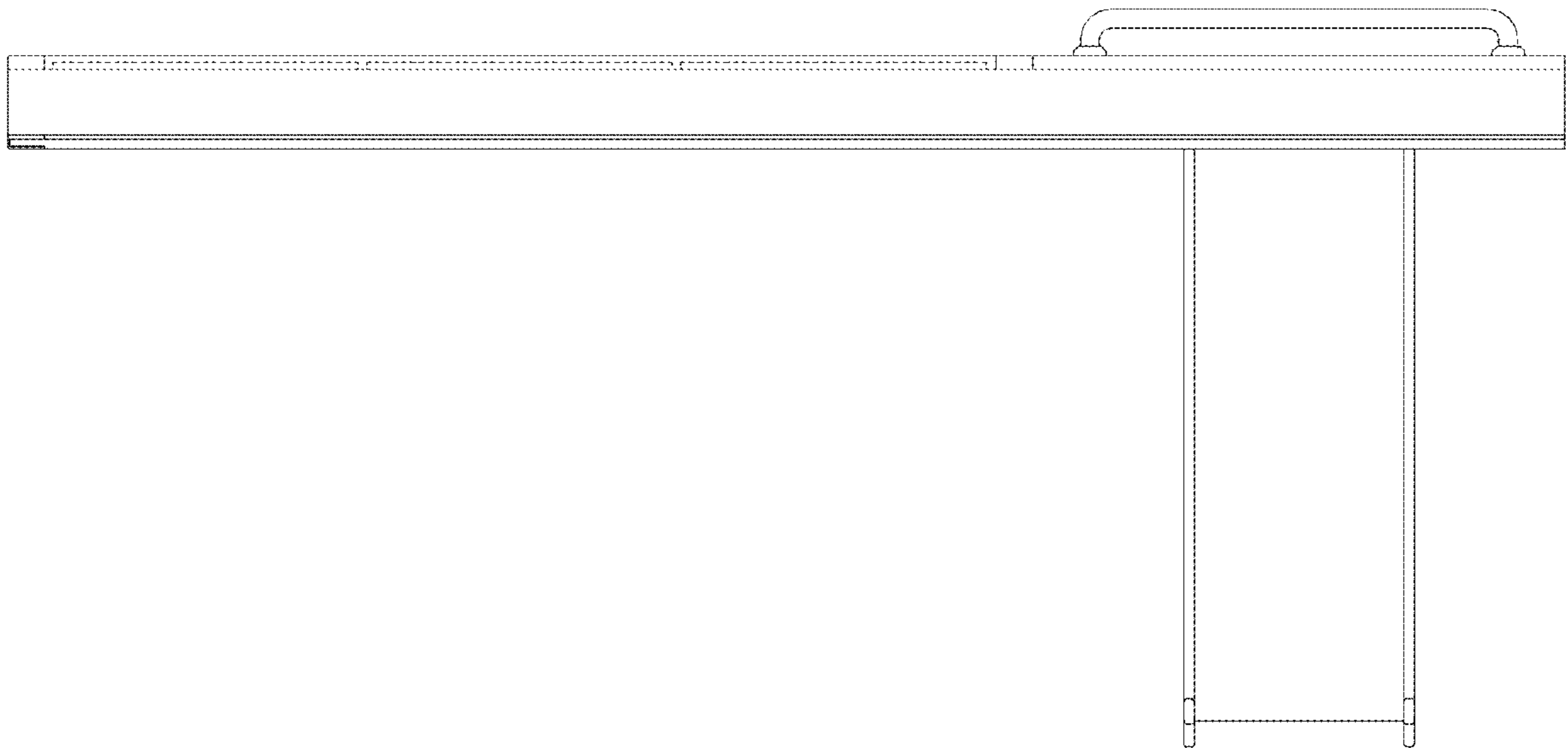


FIG. 8

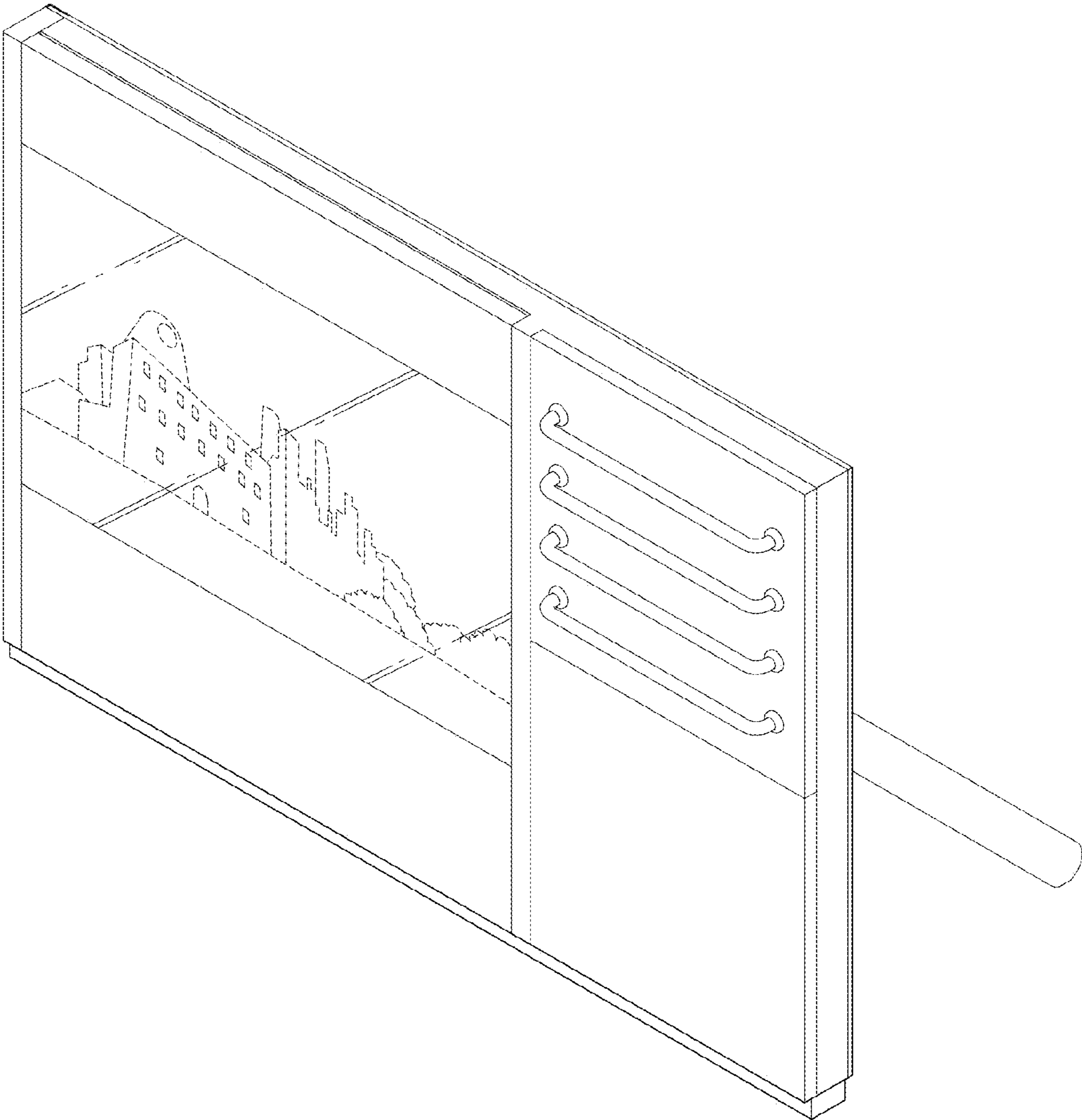


FIG. 9

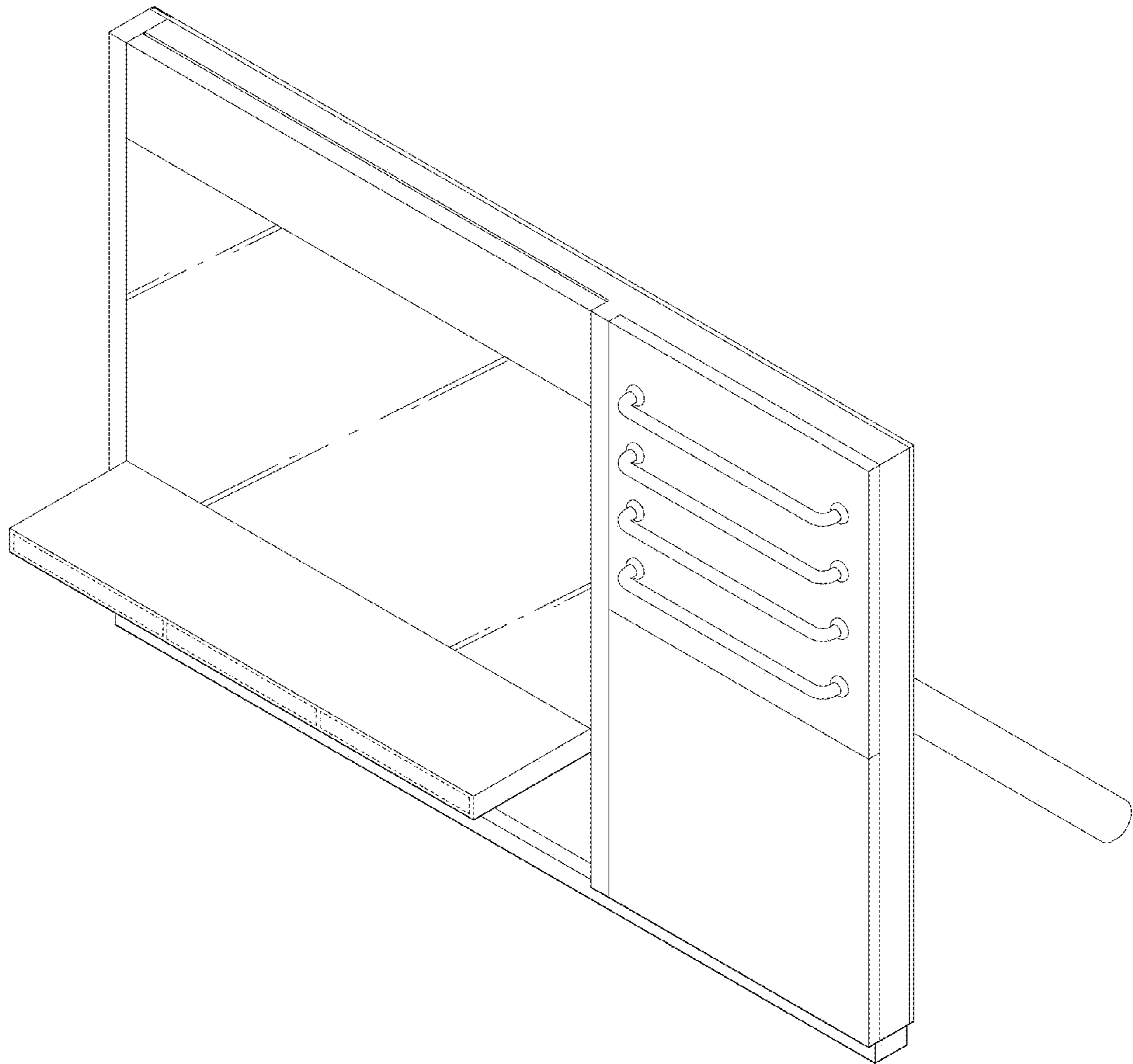


FIG. 10

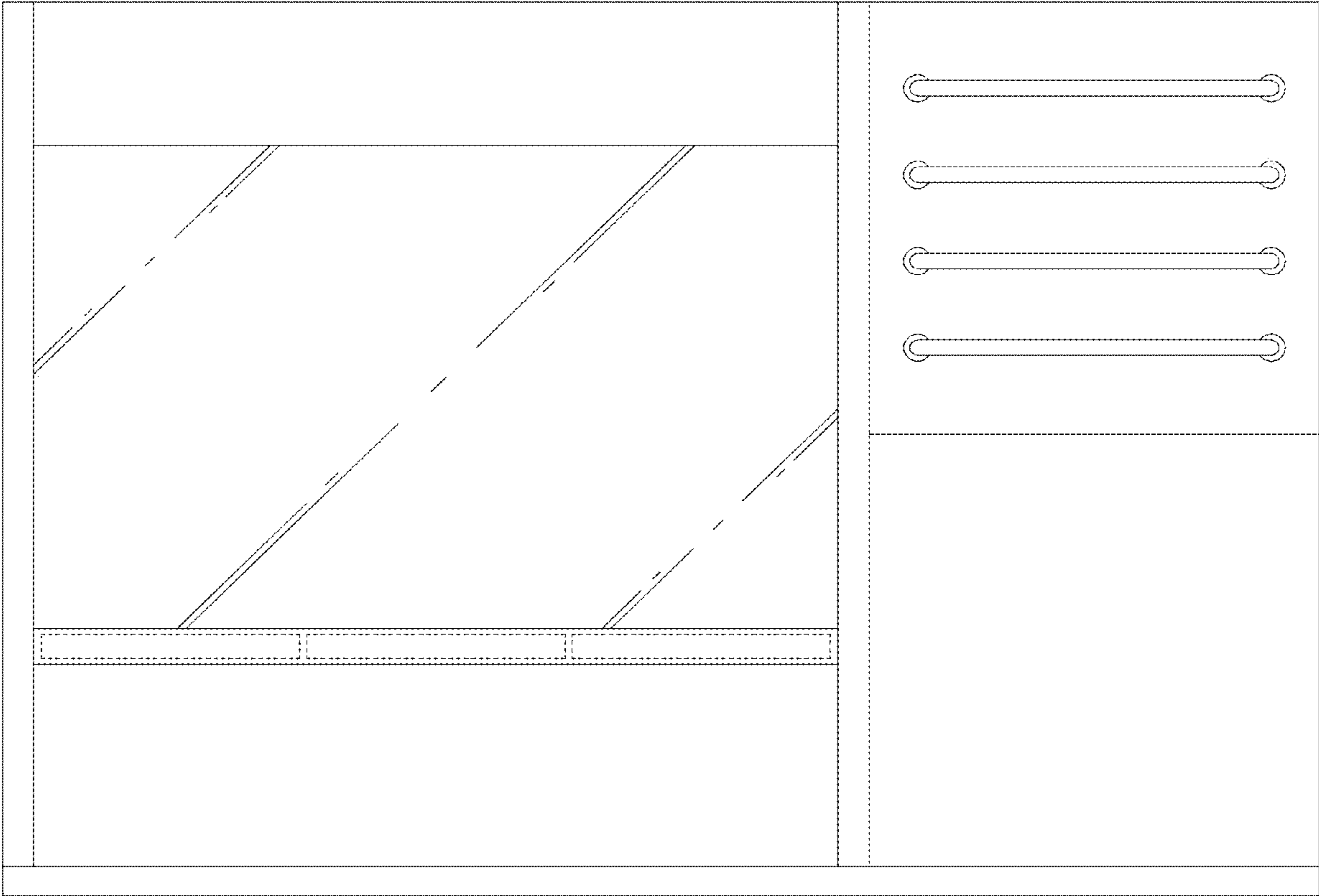


FIG. 11

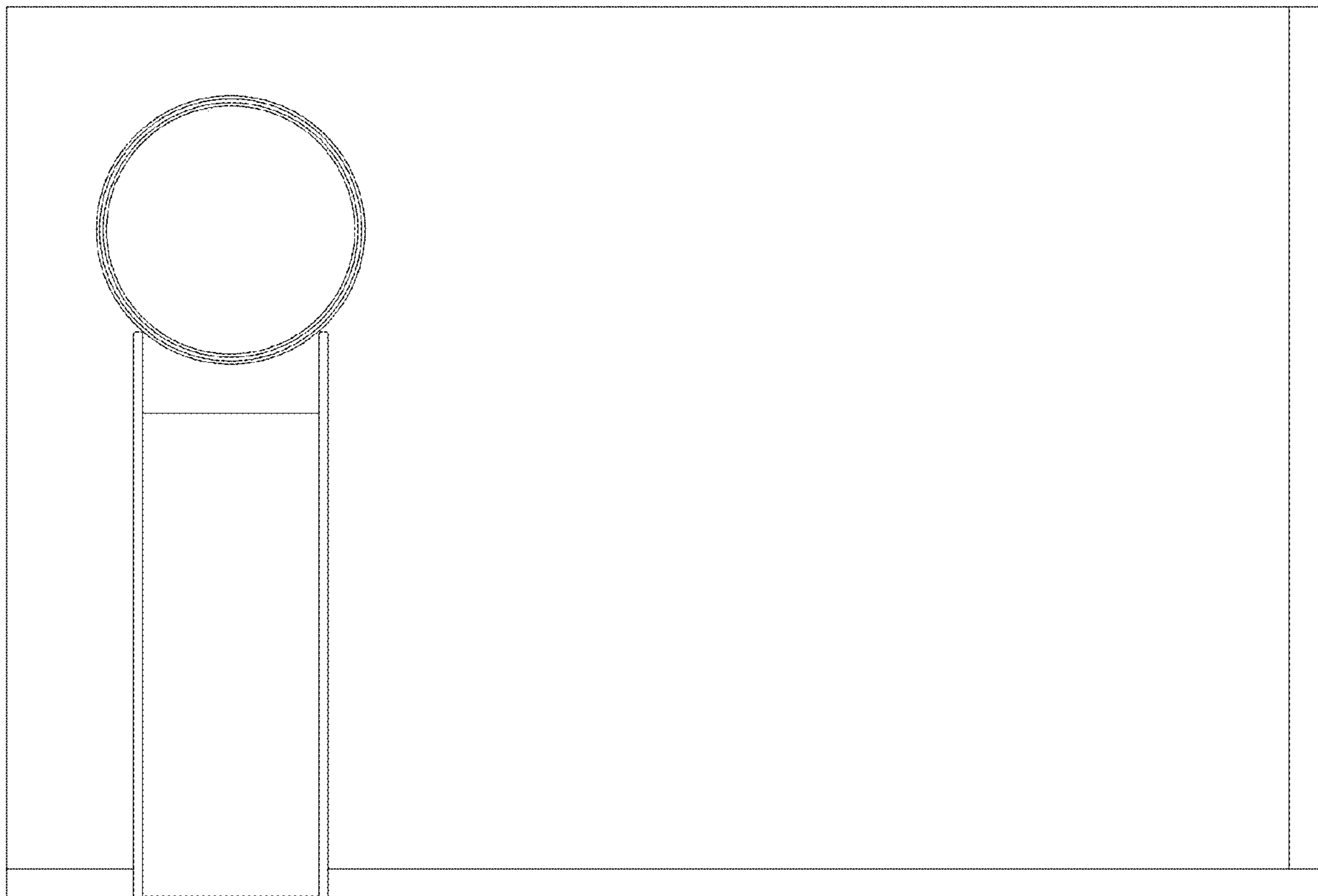


FIG. 12

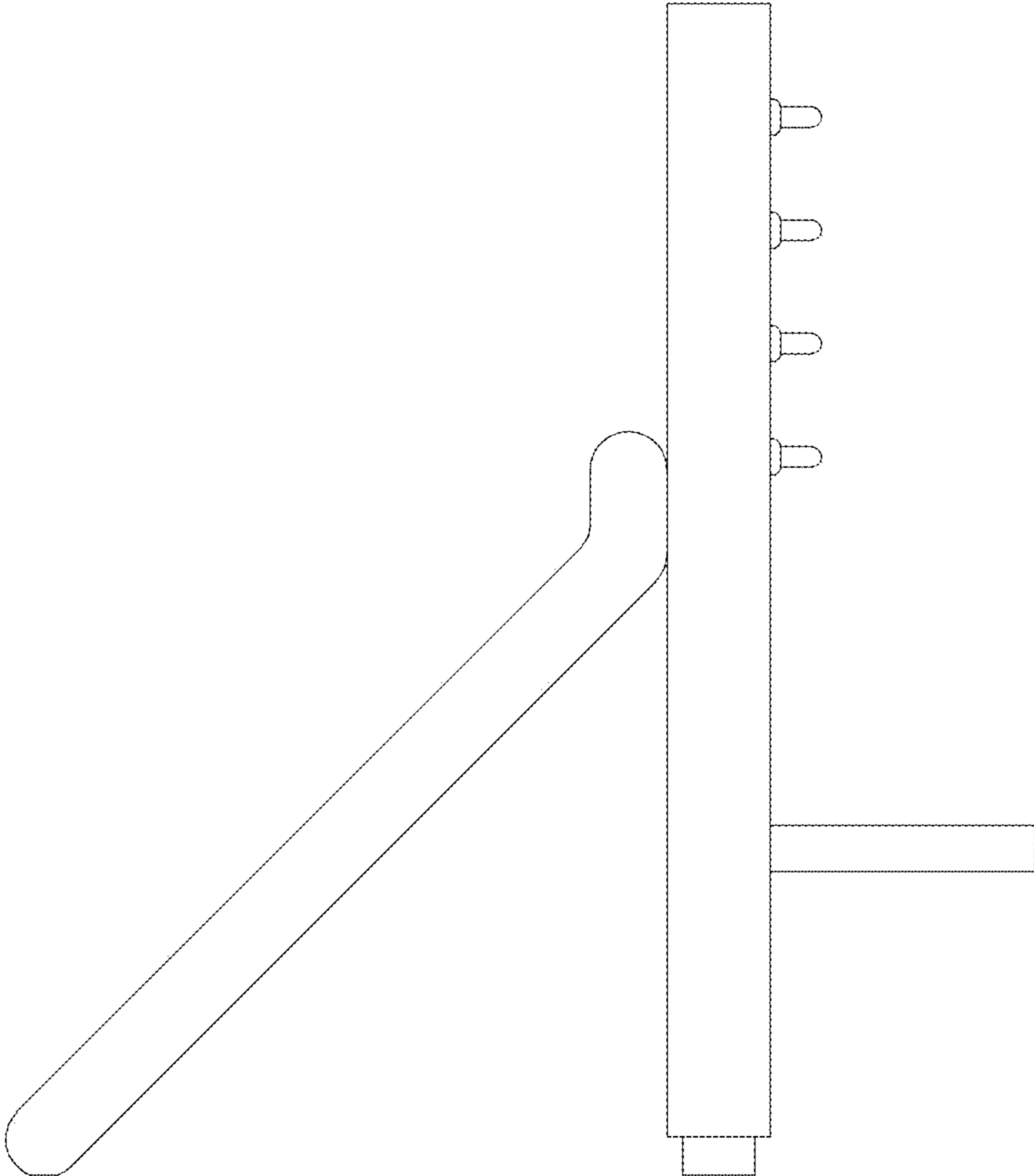


FIG. 13

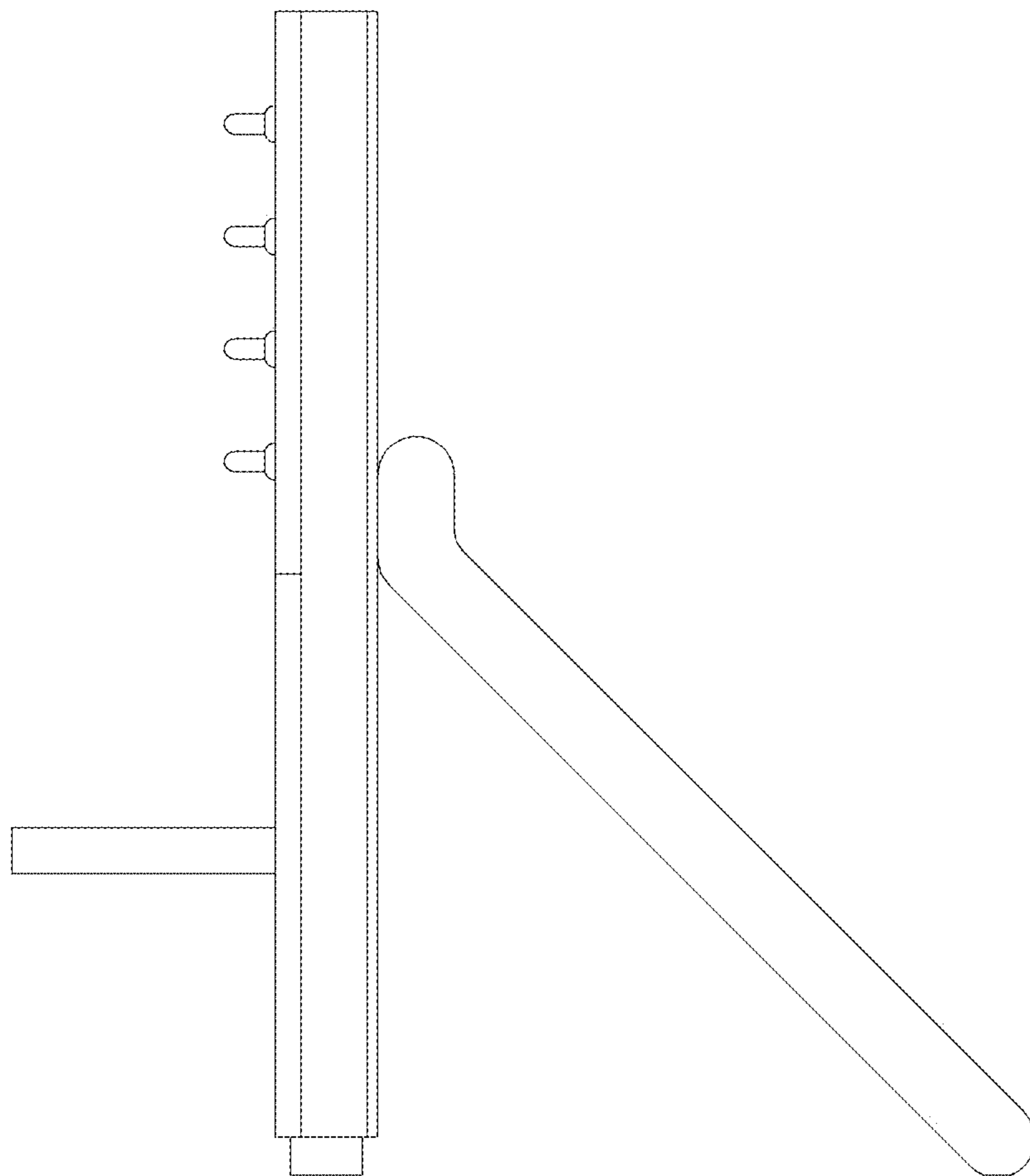


FIG. 14

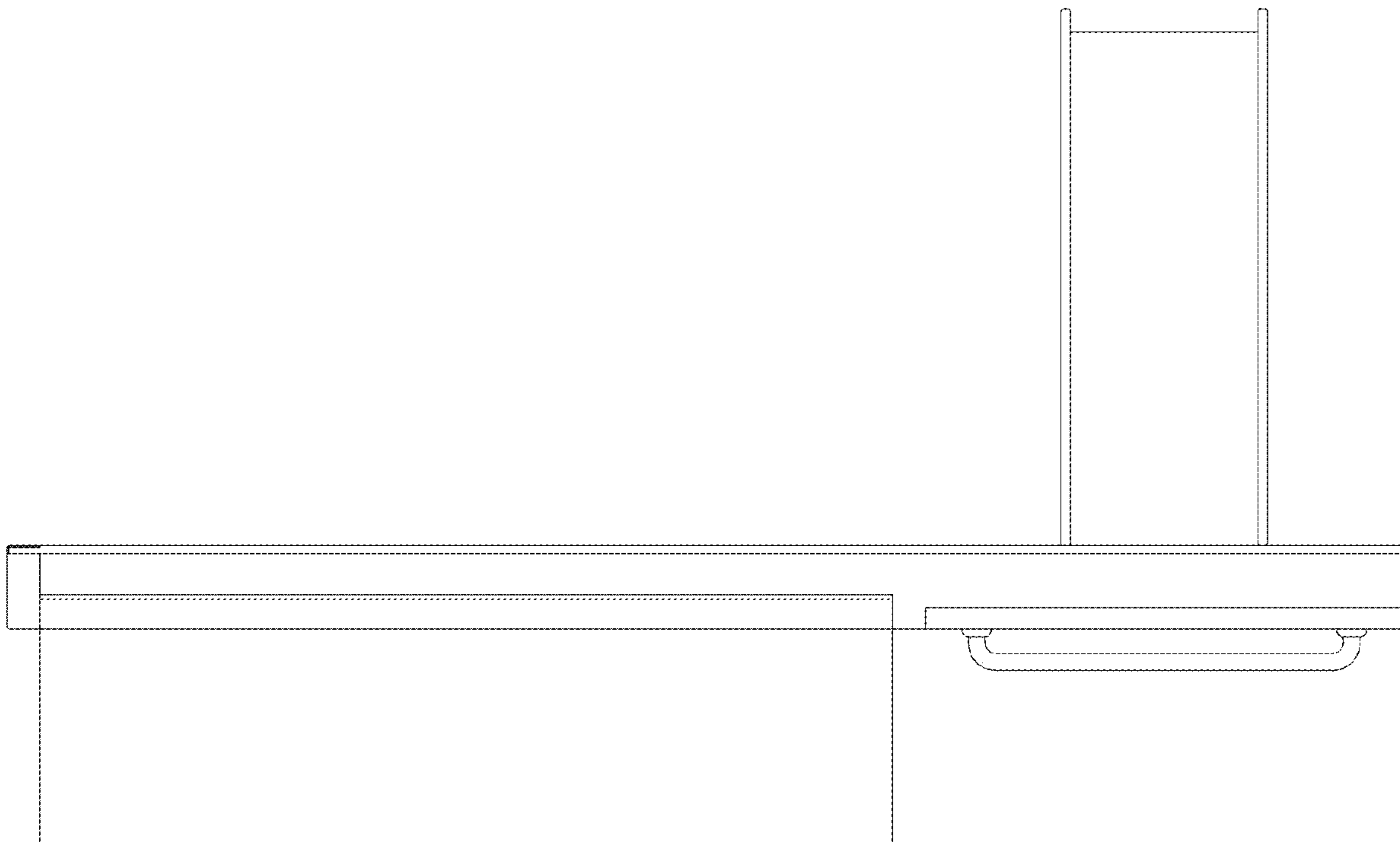




FIG. 15

