



US00D962474S

(12) **United States Design Patent** (10) **Patent No.:** **US D962,474 S**
Nelson et al. (45) **Date of Patent:** **** Aug. 30, 2022**

(54) **SILL**

(71) Applicant: **JELD-WEN, Inc.**, Charlotte, NC (US)

(72) Inventors: **Jacob Nelson**, Klamath Falls, OR (US);
Yoshua Gombo, Seattle, WA (US);
David Belau, Klamath Falls, OR (US);
Ryan Schroeder, Klamath Falls, OR
(US); **Jerry Jones**, Klamath Falls, OR
(US)

(73) Assignee: **JELD-WEN, INC.**, Charlotte, NC (US)

(**) Term: **15 Years**

(21) Appl. No.: **29/722,577**

(22) Filed: **Jan. 30, 2020**

(51) **LOC (13) Cl.** **25-01**

(52) **U.S. Cl.**
USPC **D25/48.2; D25/124**

(58) **Field of Classification Search**

USPC D25/48.2, 48.3, 119, 124, 136, 164
CPC E06B 7/10; E06B 7/14; E06B 3/04; E06B
3/06; E06B 3/24; E06B 3/26; E06B 3/30;
E06B 3/301; E06B 3/306; E06B 3/308;
E06B 3/9632; E06B 1/02; E06B 1/04;
E06B 1/12; E06B 1/14; E06B 1/16; E06B
1/26; E06B 1/28; E06B 1/36; E06B
1/363; E06B 1/366; E06B 1/38; E06B
1/40; E06B 1/52; E06B 1/524; E06B
1/56; E06B 1/62; E06B 1/68

See application file for complete search history.

(56) **References Cited**

U.S. PATENT DOCUMENTS

D360,266 S * 7/1995 DiGiorgio D25/124
D363,355 S * 10/1995 Cole D25/124
D493,541 S * 7/2004 Franson D25/124
D590,961 S * 4/2009 Franson D25/124
D651,727 S * 1/2012 Wickland D25/124
D855,831 S * 8/2019 Desrosiers D25/48.2
D892,356 S * 8/2020 Kosonen D25/124
10,844,654 B1 * 11/2020 Smith E06B 3/9641
D917,075 S * 4/2021 Nelson D25/124
D917,726 S * 4/2021 Nelson D25/124
D917,730 S * 4/2021 Nelson D25/124

* cited by examiner

Primary Examiner — Leanne Was-Englehart

(74) *Attorney, Agent, or Firm* — Lorenz & Kopf, LLP

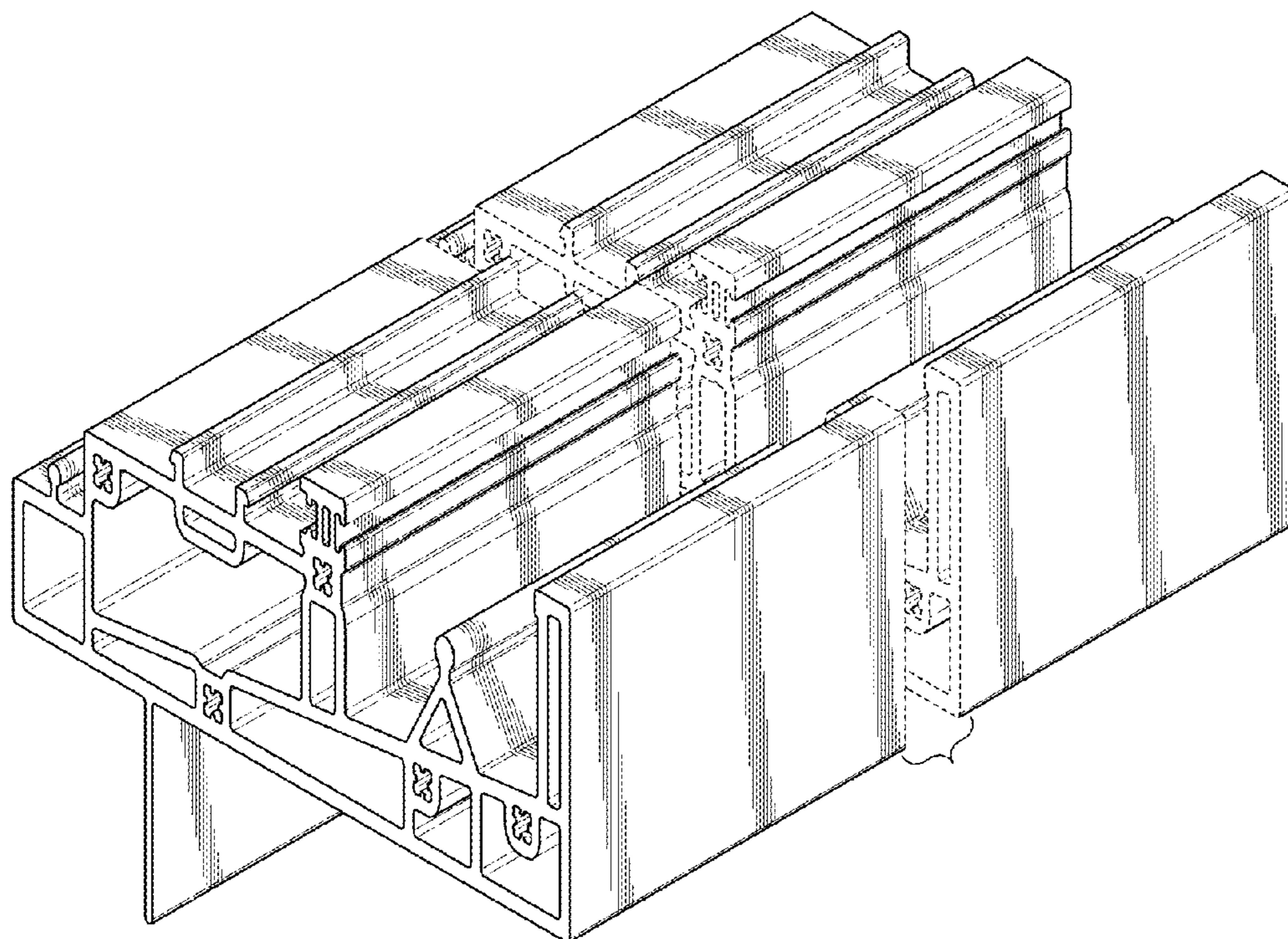
(57) **CLAIM**

The ornamental design for a sill, as shown and described.

DESCRIPTION

FIG. 1 is a rear isometric view of a sill.
FIG. 2 is a front isometric view thereof.
FIG. 3 is a rear elevation view thereof.
FIG. 4 is a front elevation view thereof.
FIG. 5 is a right side elevation view thereof.
FIG. 6 is a left side elevation view thereof.
FIG. 7 is a top plan view thereof; and,
FIG. 8 is a bottom plan view thereof.
In FIGS. 1-4 and 7-8, the sill is shown with a symbolic break
in its length. The appearance of any portion of the sill
between the break lines forms no part of the claimed design.

1 Claim, 7 Drawing Sheets



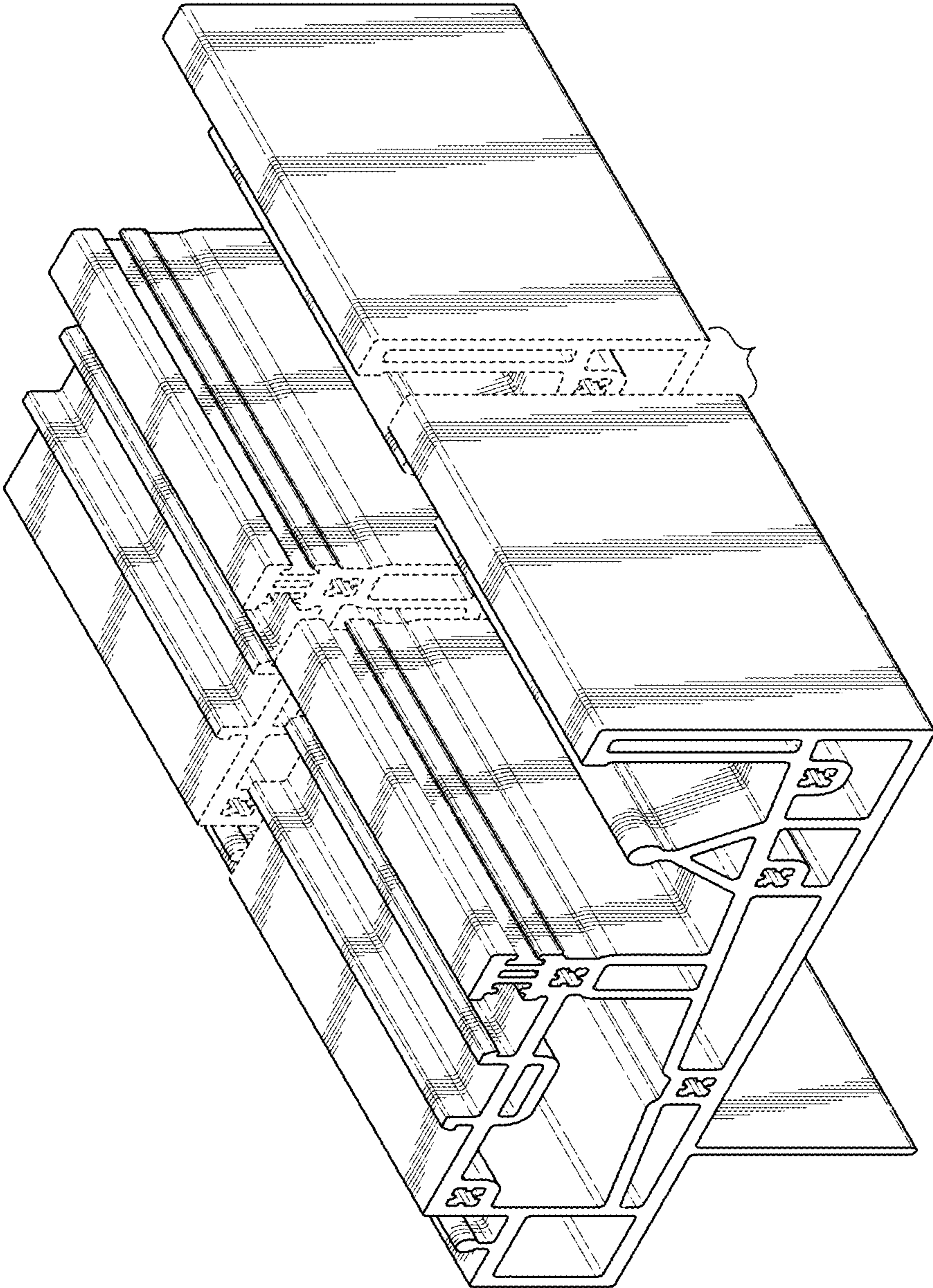


FIG. 1

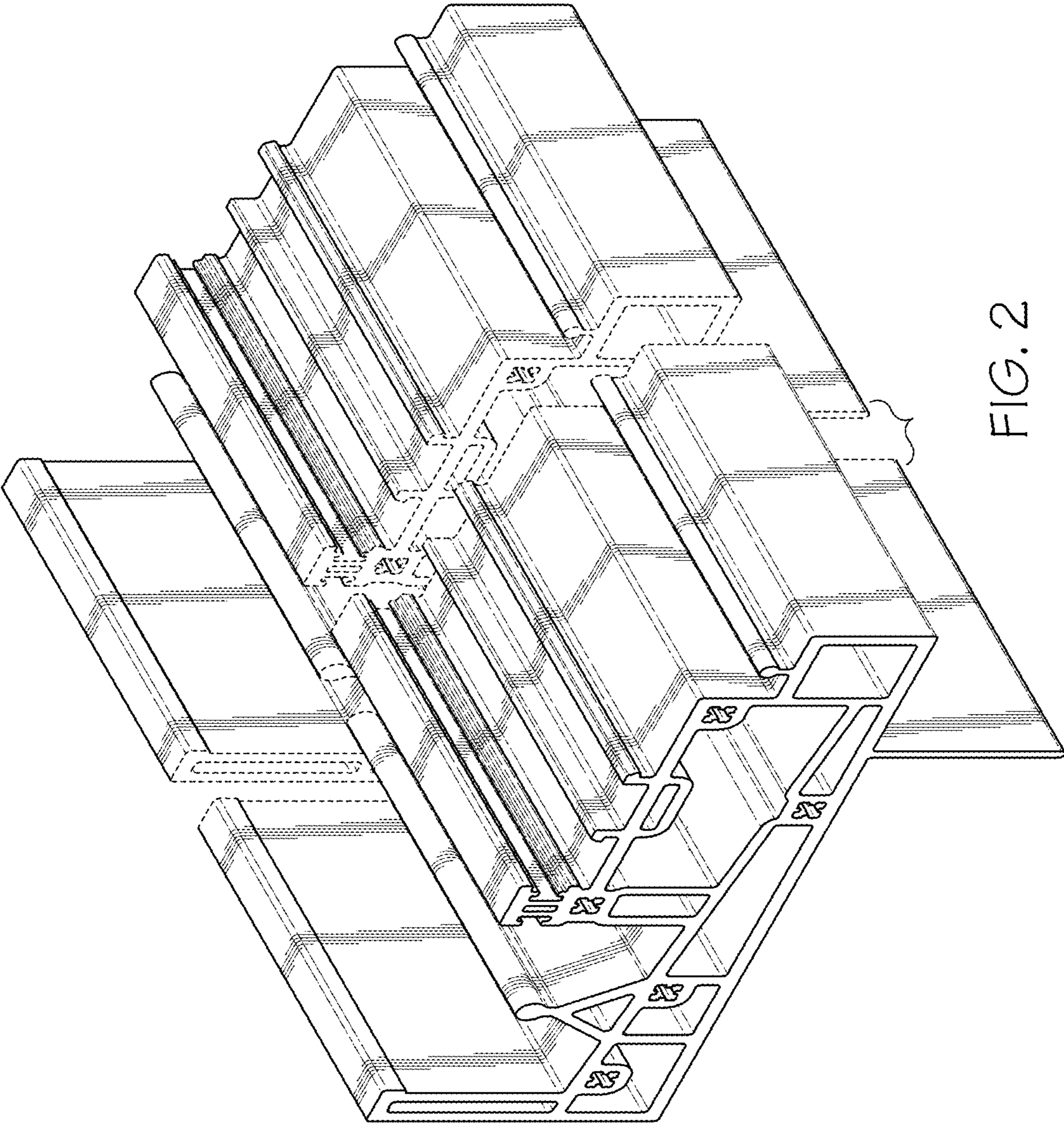


FIG. 2

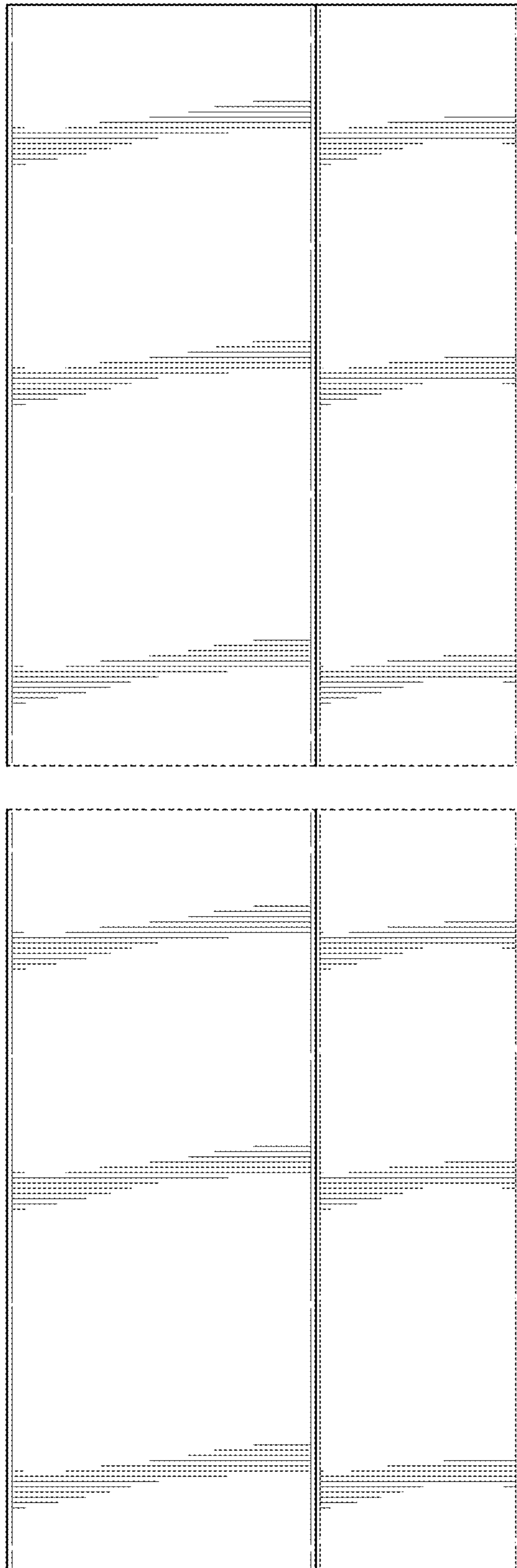


FIG. 3

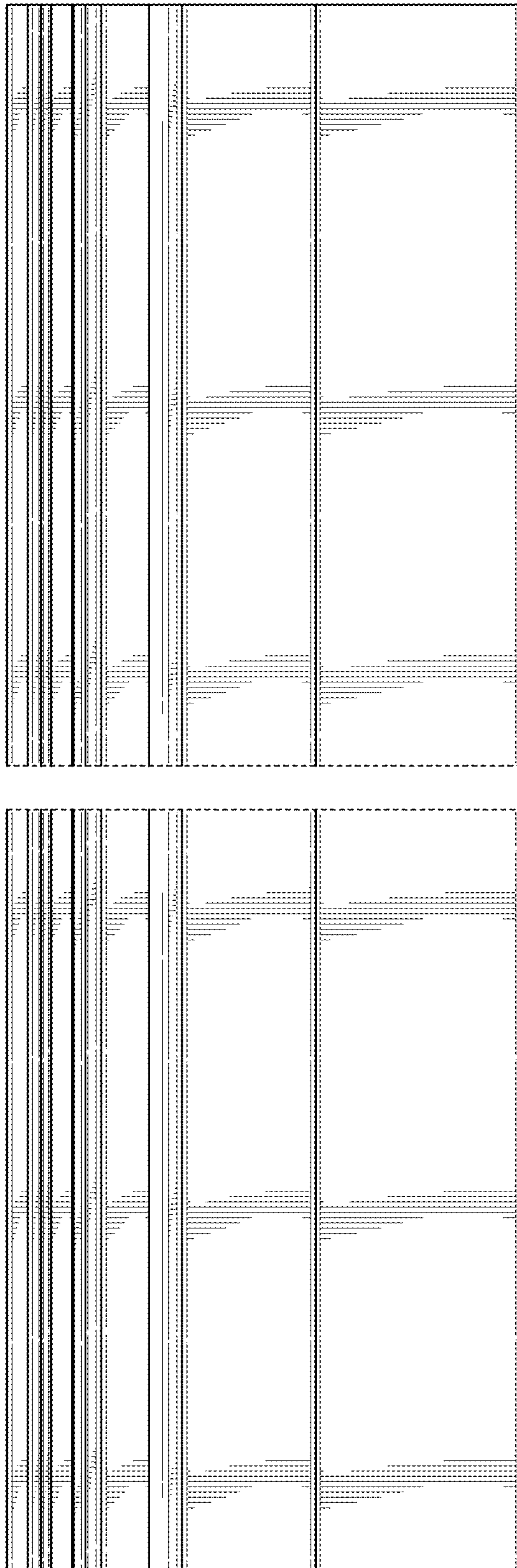


FIG. 4

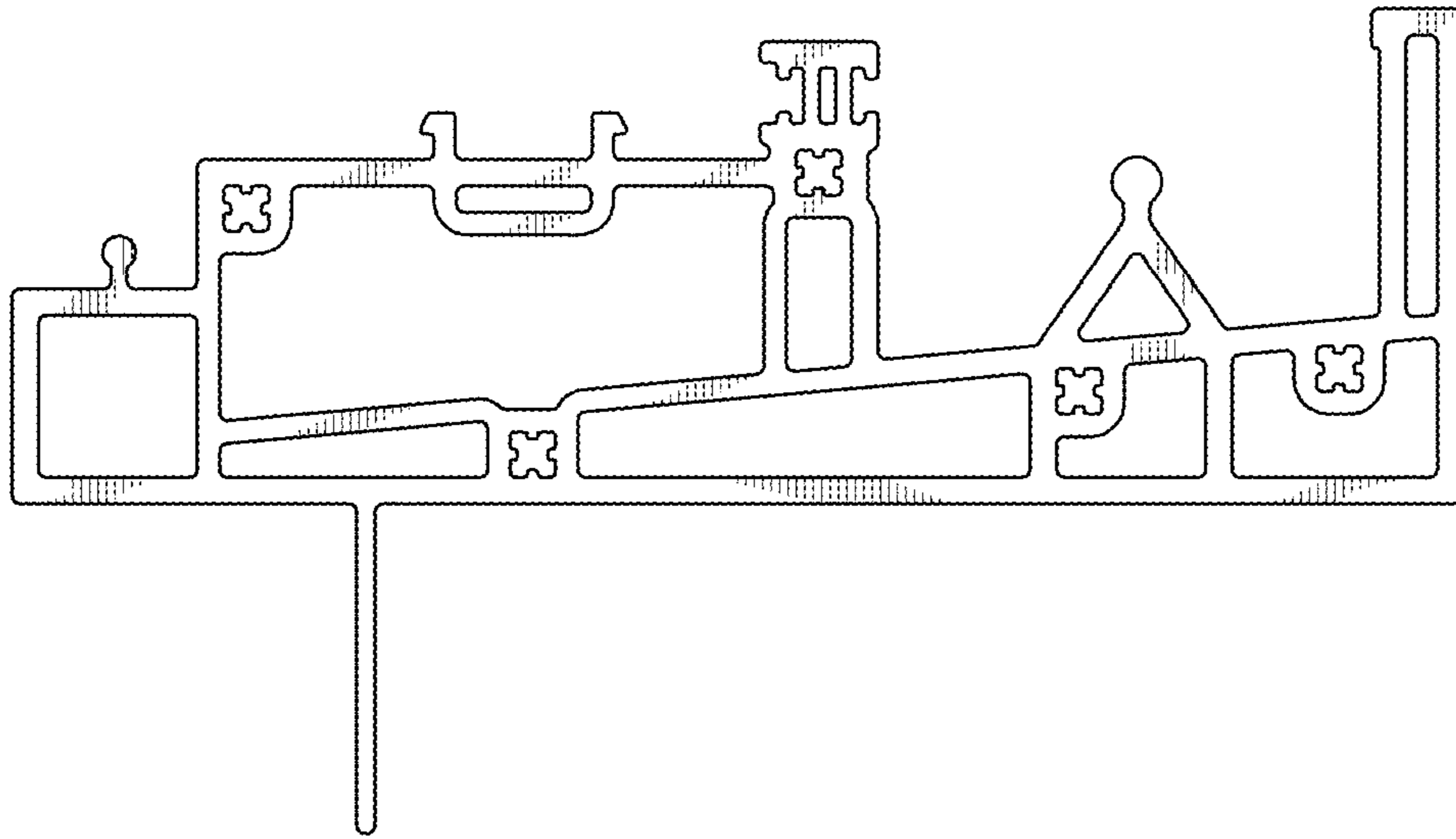


FIG. 5

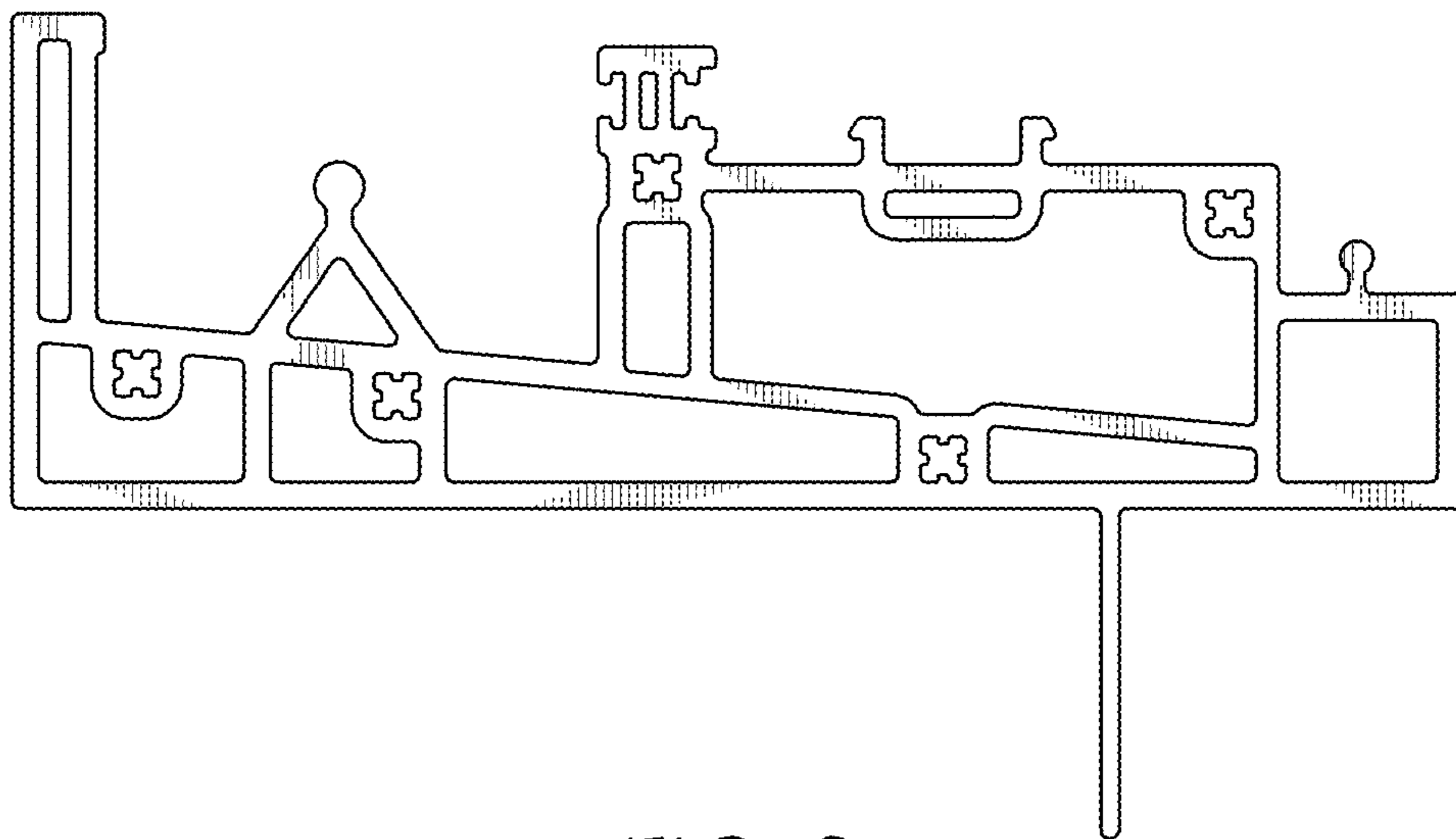


FIG. 6

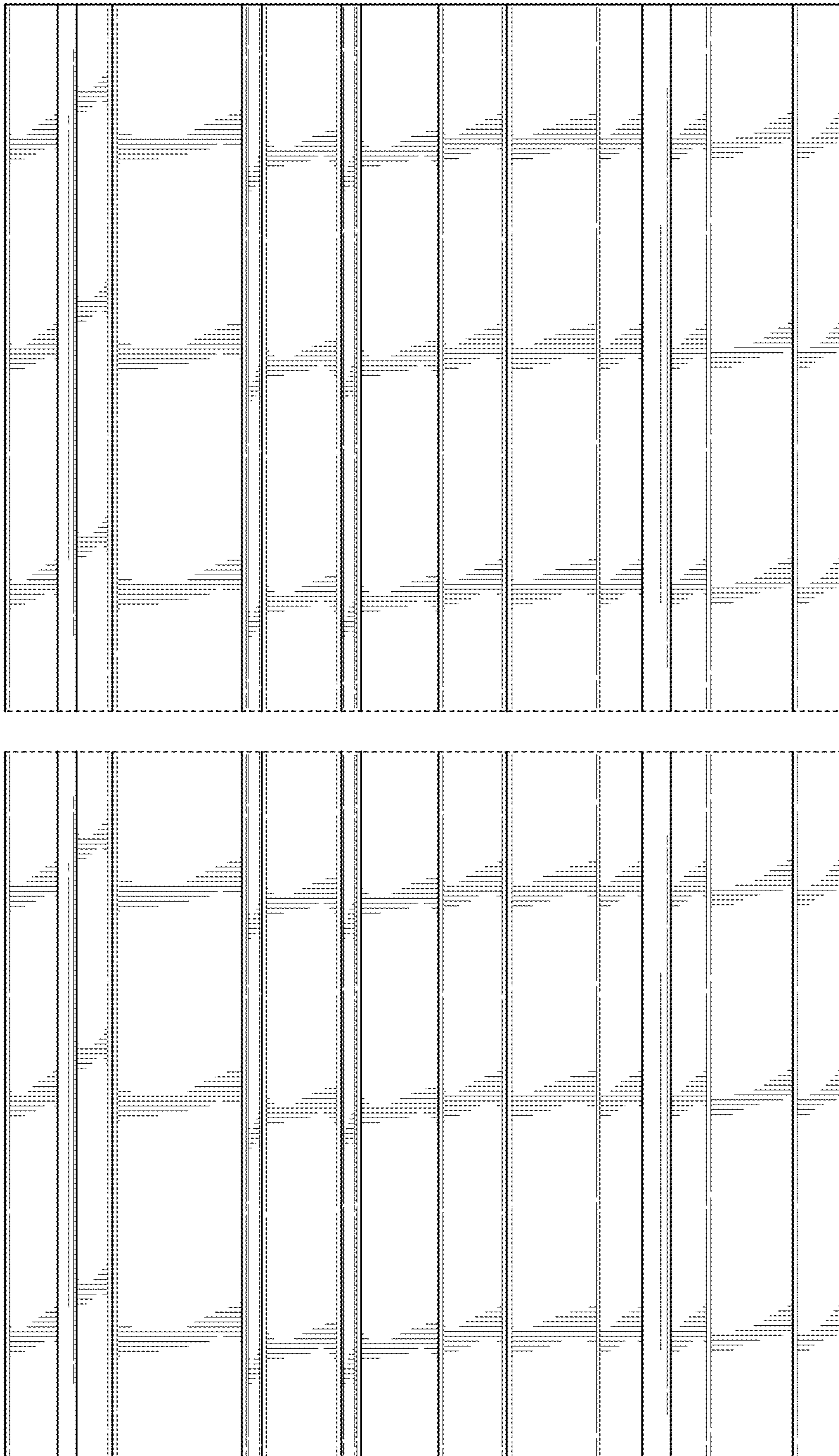


FIG. 7

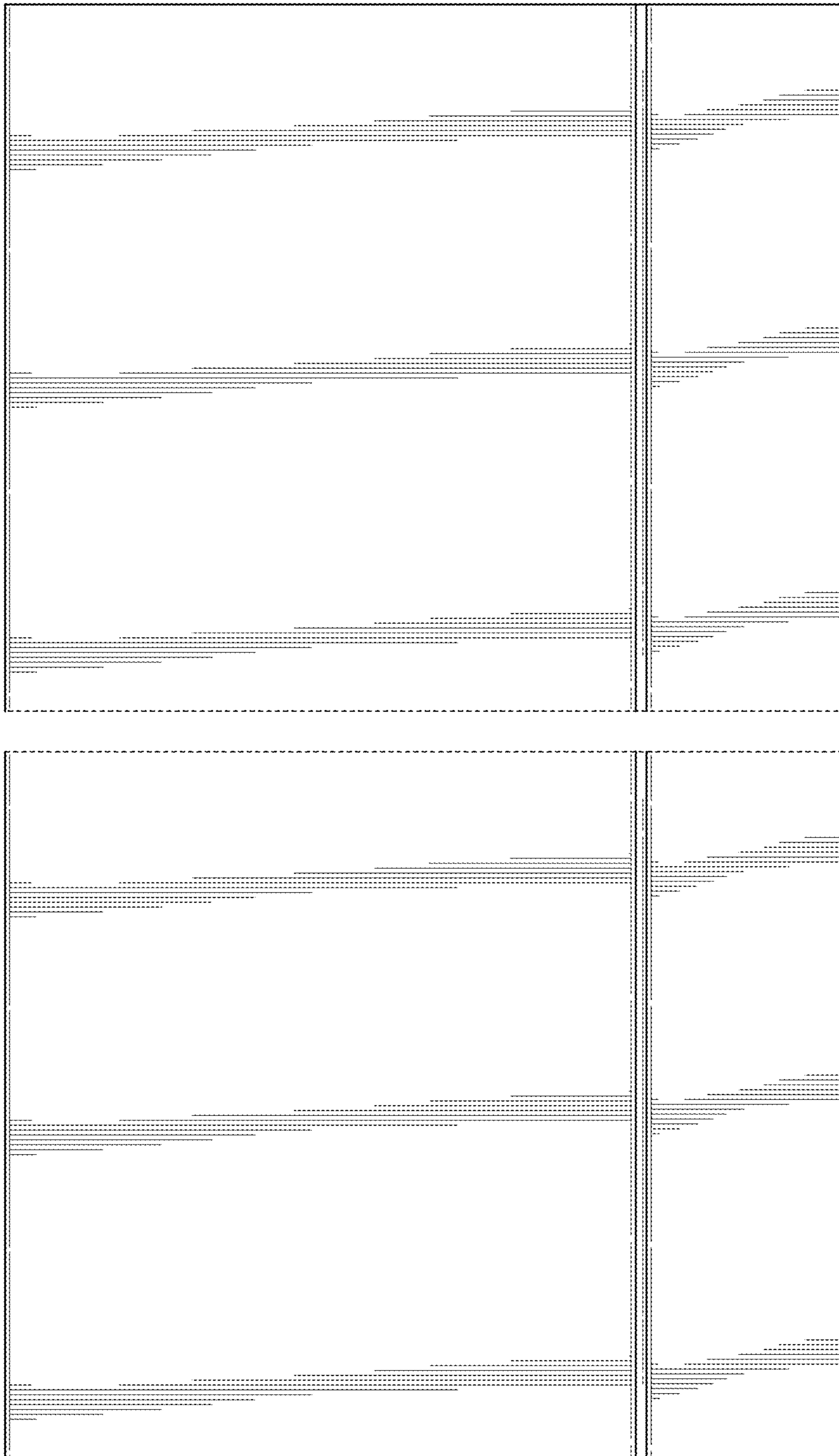


FIG. 8