

US00D962473S

(12) **United States Design Patent** (10) **Patent No.:** **US D962,473 S**  
**Wu** (45) **Date of Patent:** **\*\* Aug. 30, 2022**

(54) **DEVICE FOR EXTRACTING AND AMPLIFYING NUCLEIC ACID**

D907,245 S \* 1/2021 Rateike ..... D24/232  
2016/0289665 A1\* 10/2016 Mao ..... G01N 35/00584  
2021/0302454 A1\* 9/2021 Huang ..... G01N 35/04

(71) Applicant: **SCHWEITZER BIOTECH COMPANY LTD.**, Taipei (TW)

\* cited by examiner

(72) Inventor: **Chih-Chung Wu**, Taipei (TW)

*Primary Examiner* — Anhdao Doan

(73) Assignee: **SCHWEITZER BIOTECH COMPANY LTD.**, Taipei (TW)

(74) *Attorney, Agent, or Firm* — Chun-Ming Shih;  
Lanway IPR Services

(\*\*) Term: **15 Years**

(57) **CLAIM**

The ornamental design for a device for extracting and amplifying nucleic acid, as shown and described.

(21) Appl. No.: **29/760,416**

**DESCRIPTION**

(22) Filed: **Dec. 1, 2020**

(51) **LOC (13) Cl.** ..... **24-01**

(52) **U.S. Cl.**  
USPC ..... **D24/232**

(58) **Field of Classification Search**  
USPC ..... D24/107, 185, 186, 216, 219, 231–234;  
D10/81  
CPC ..... G01N 2035/00306; G01N 2035/00326;  
G01N 2035/00336; G01N 2030/027;  
G01N 21/76

See application file for complete search history.

FIG. 1 is a top front right side perspective view of a device for extracting and amplifying nucleic acid, showing our new design;

FIG. 2 is a front view thereof;

FIG. 3 is a rear view thereof;

FIG. 4 is a left side view thereof;

FIG. 5 is a right side view thereof;

FIG. 6 is a top view thereof;

FIG. 7 is a bottom view thereof;

FIG. 8 is a top front perspective view thereof showing one door in an open position;

FIG. 9 is a top front perspective view thereof showing one drawer in an open position;

FIG. 10 is a top front perspective view thereof showing another door in an open position; and,

FIG. 11 is a top front perspective view thereof showing two doors and one drawer in an open position.

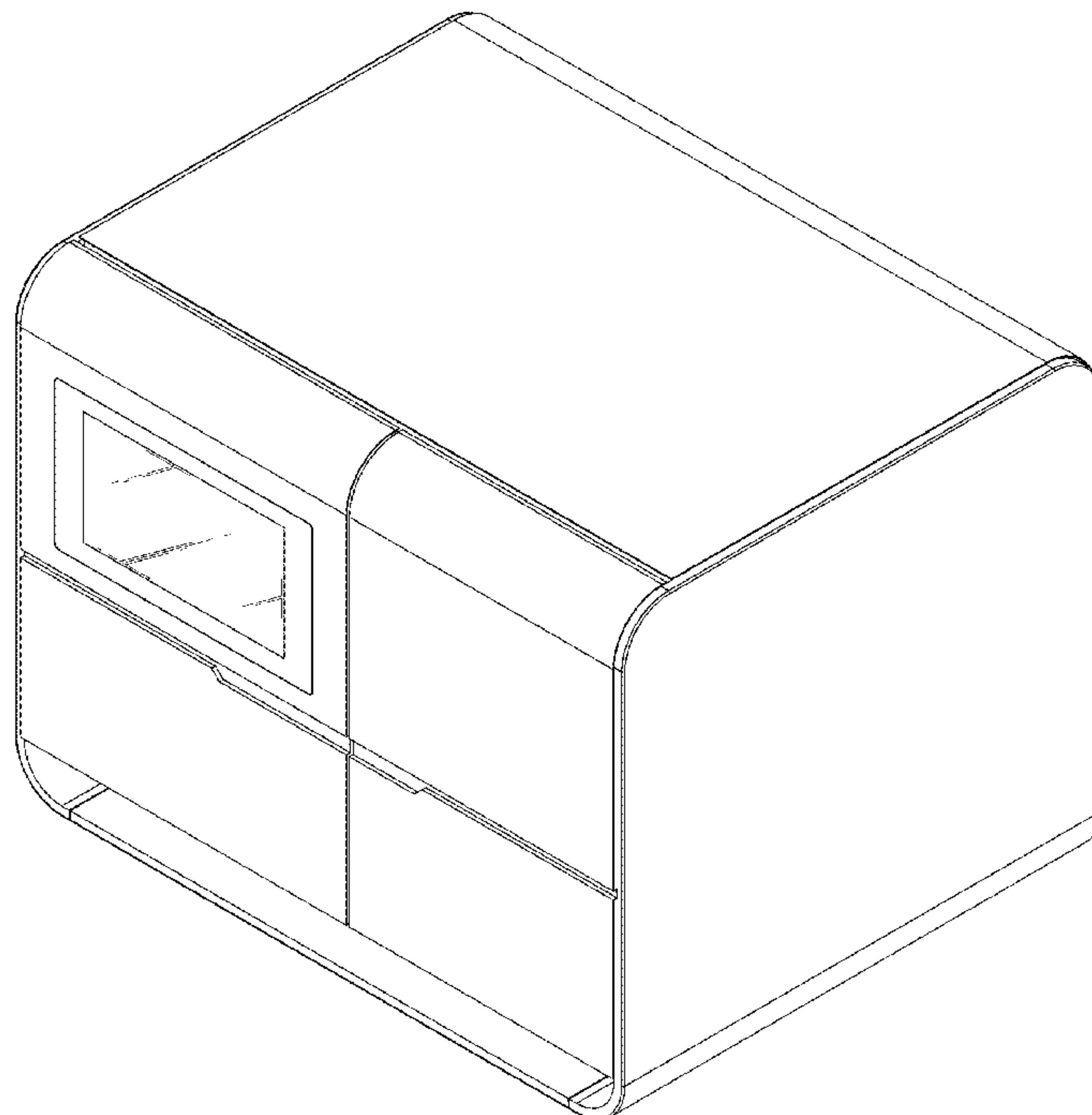
The broken lines depict portions of the device for extracting and amplifying nucleic acid that form no part of the claimed design.

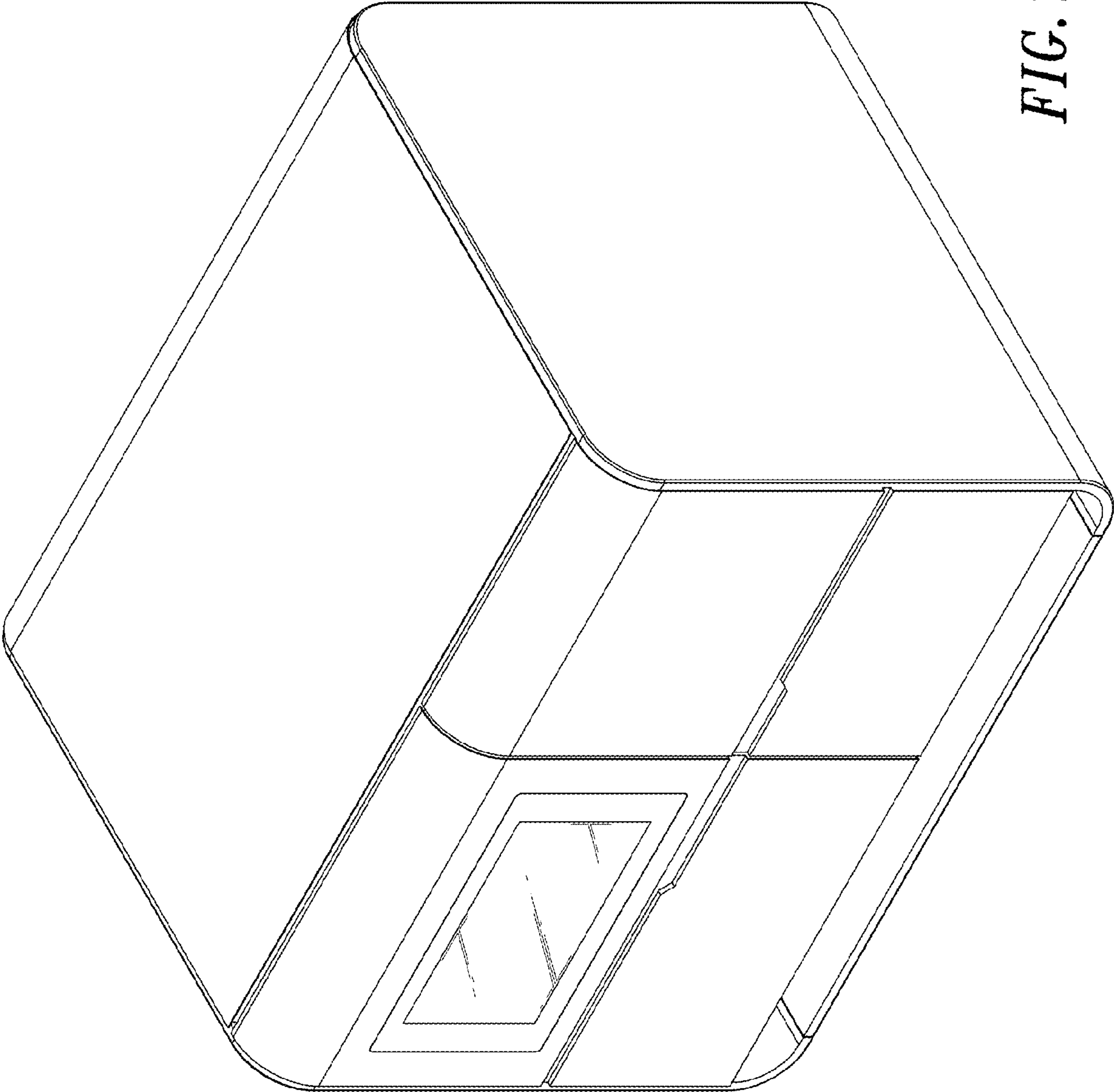
(56) **References Cited**

**U.S. PATENT DOCUMENTS**

D535,403 S \* 1/2007 Isozaki ..... D24/232  
D588,276 S \* 3/2009 Isozaki ..... D24/232  
D638,545 S \* 5/2011 Okawa ..... D24/186  
7,942,800 B2 \* 5/2011 Sukawa ..... G01N 35/00029  
494/20  
D670,402 S \* 11/2012 Shibata ..... D24/216  
D874,017 S \* 1/2020 Jenoski ..... D24/216  
D890,361 S \* 7/2020 Nüesch ..... D24/232

**1 Claim, 11 Drawing Sheets**





*FIG. 1*

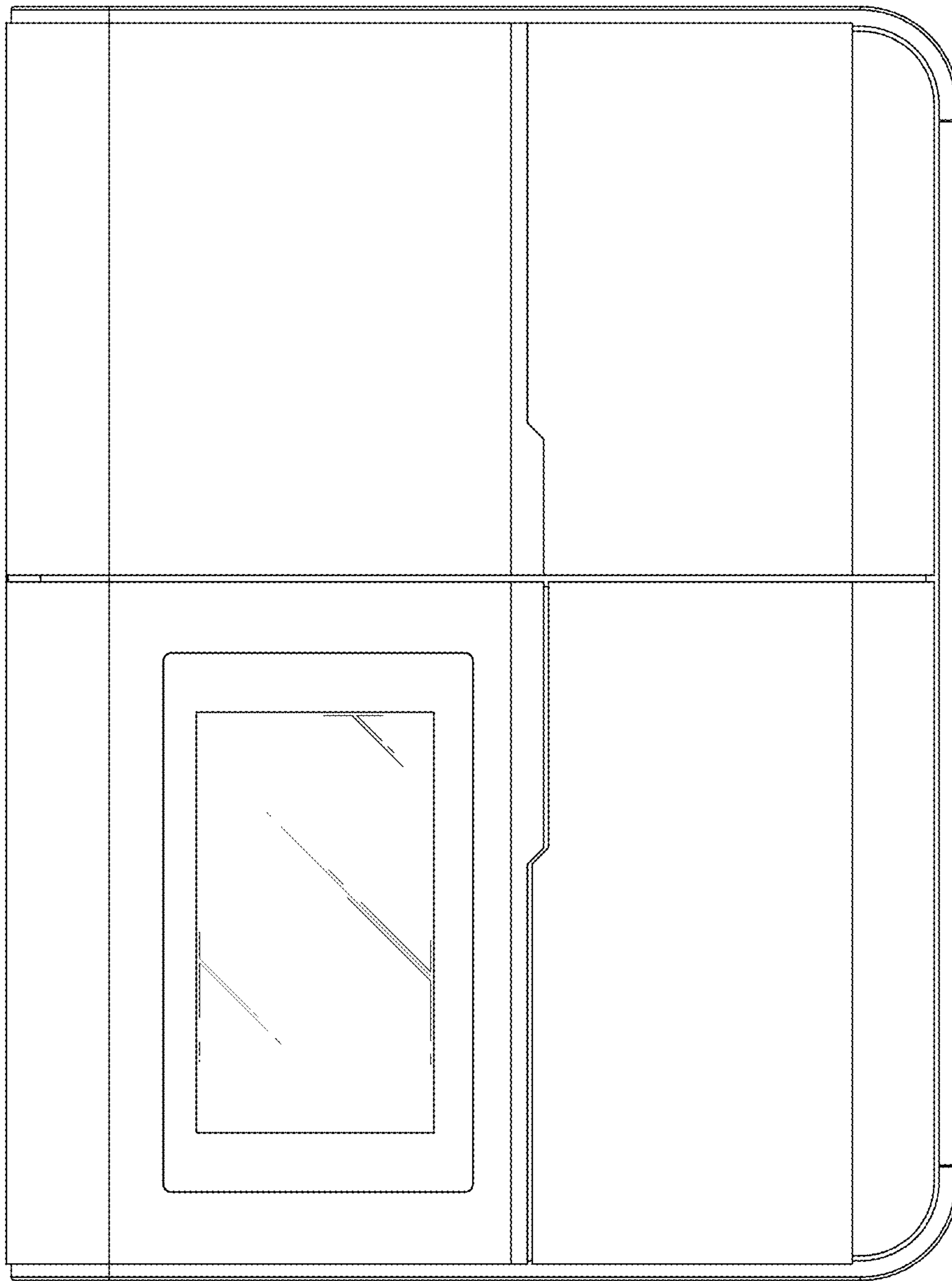


FIG. 2

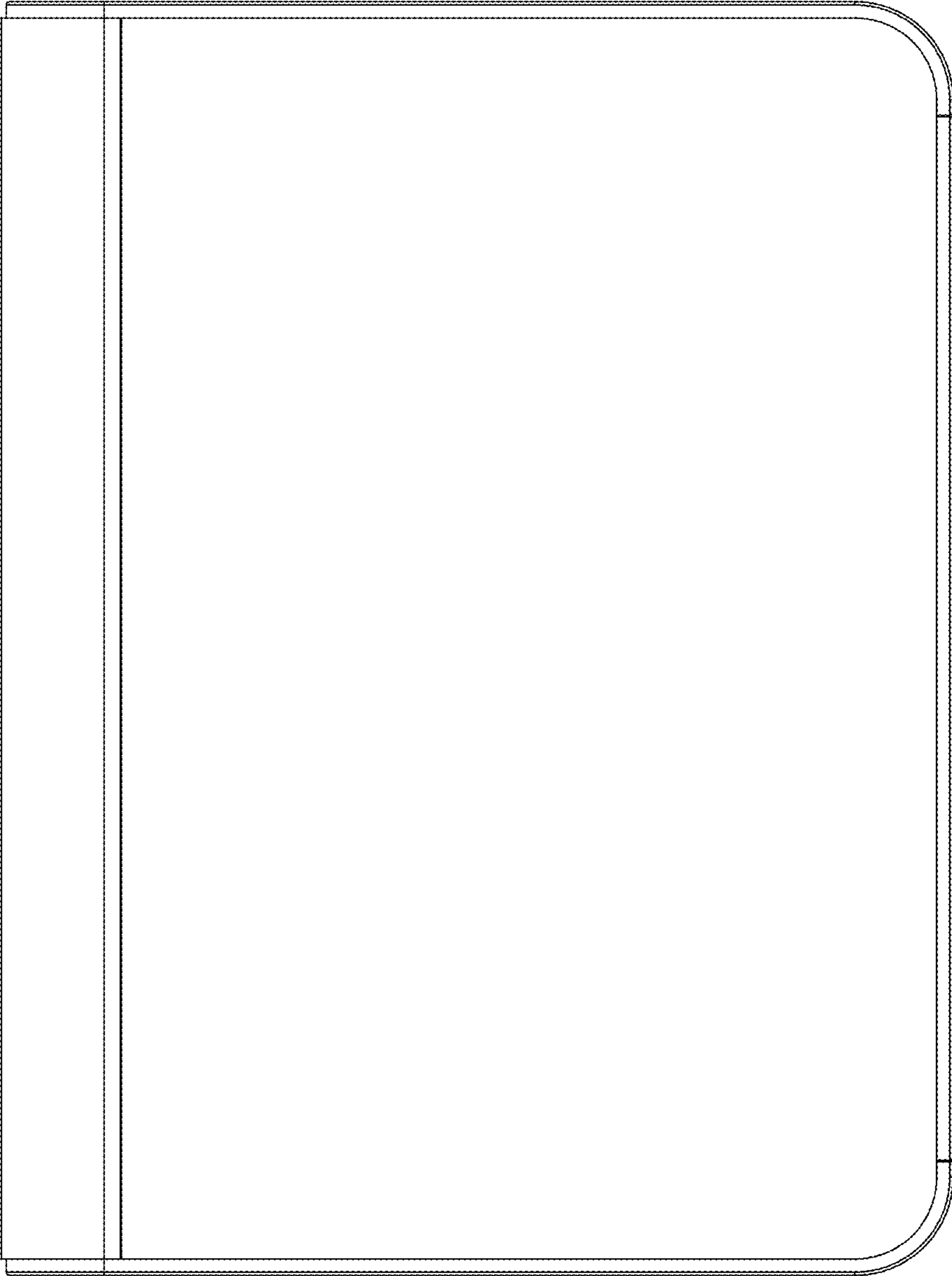
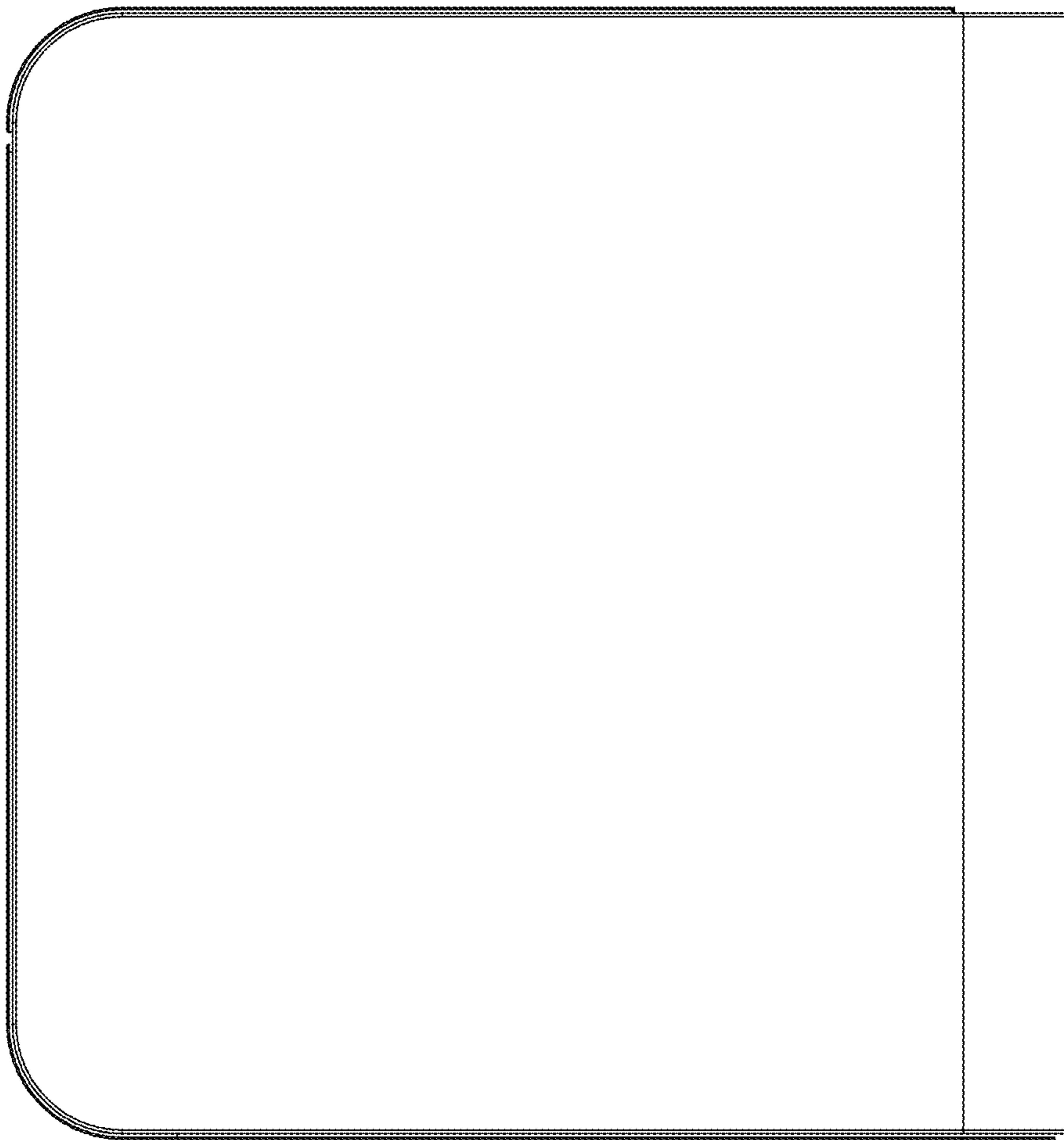
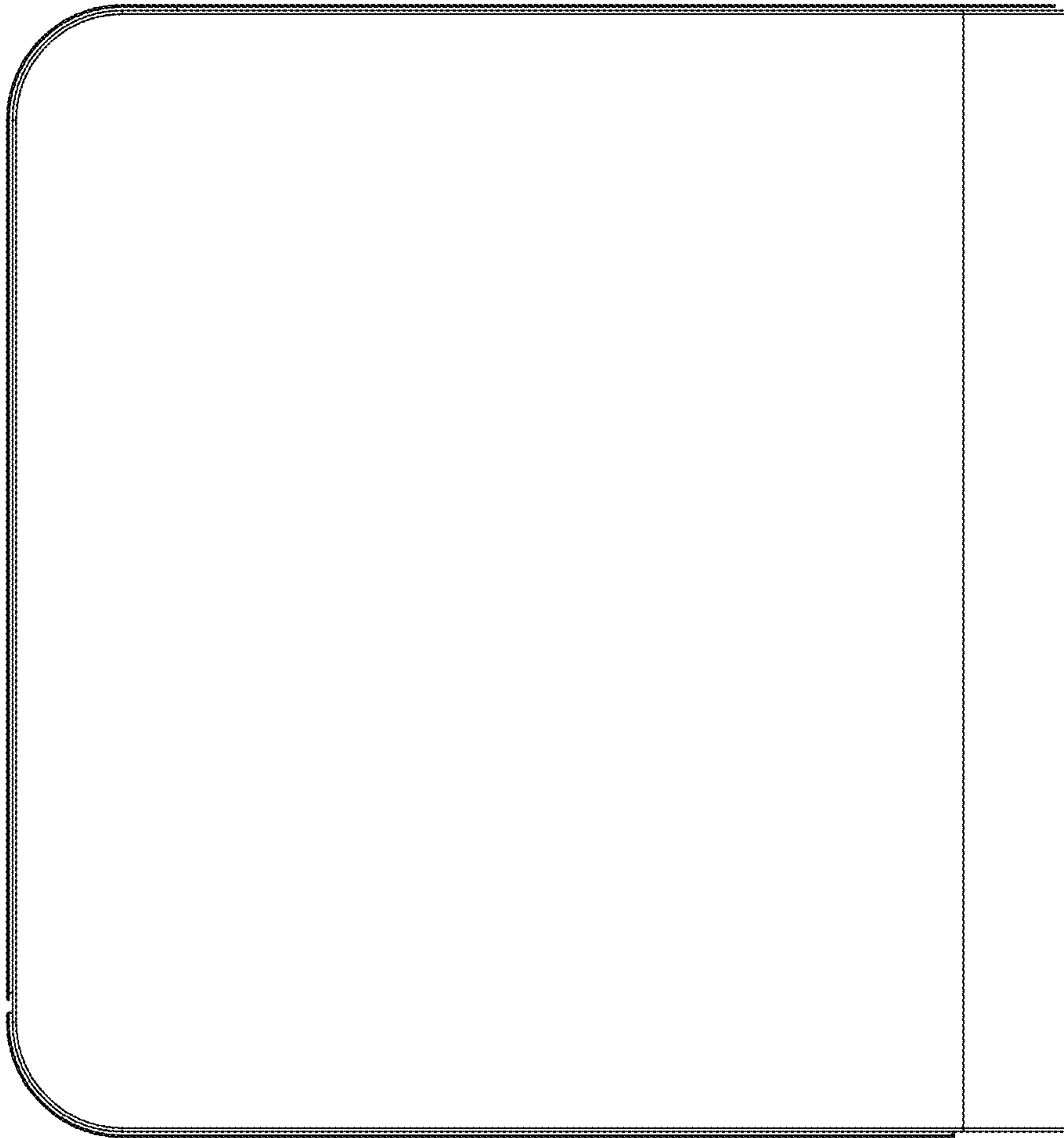


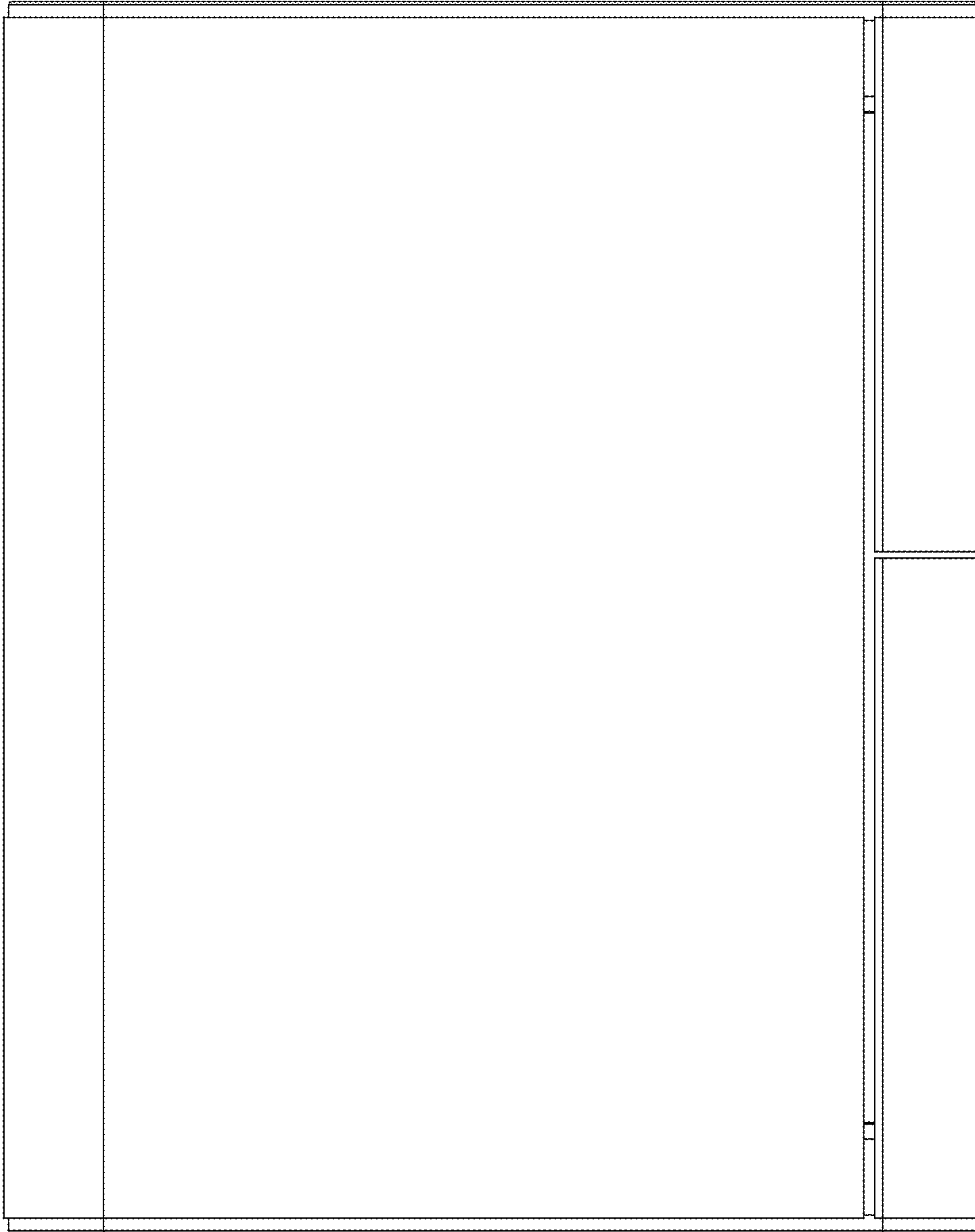
FIG. 3



*FIG. 4*



*FIG. 5*



*FIG. 6*





*FIG. 7*



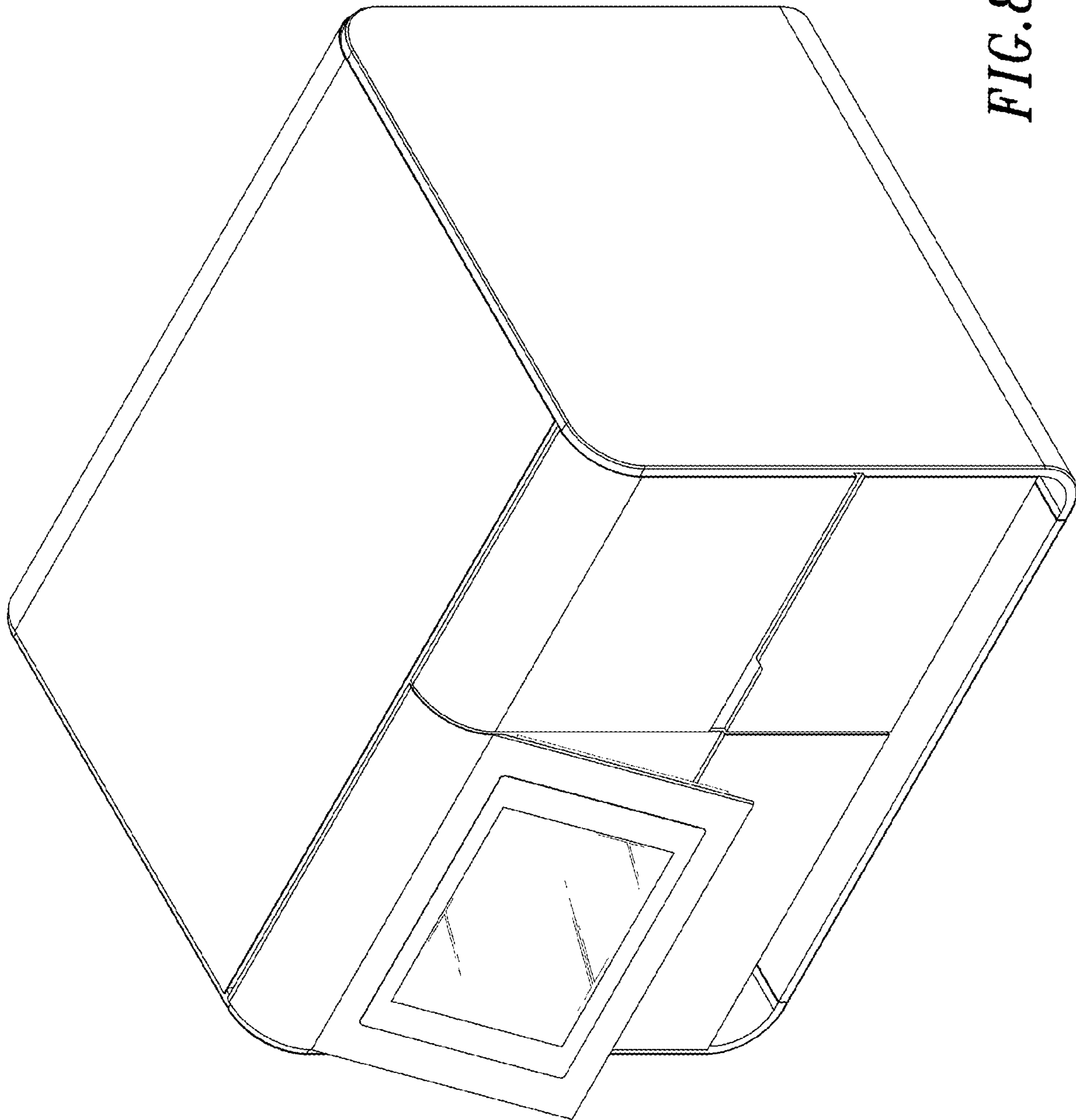
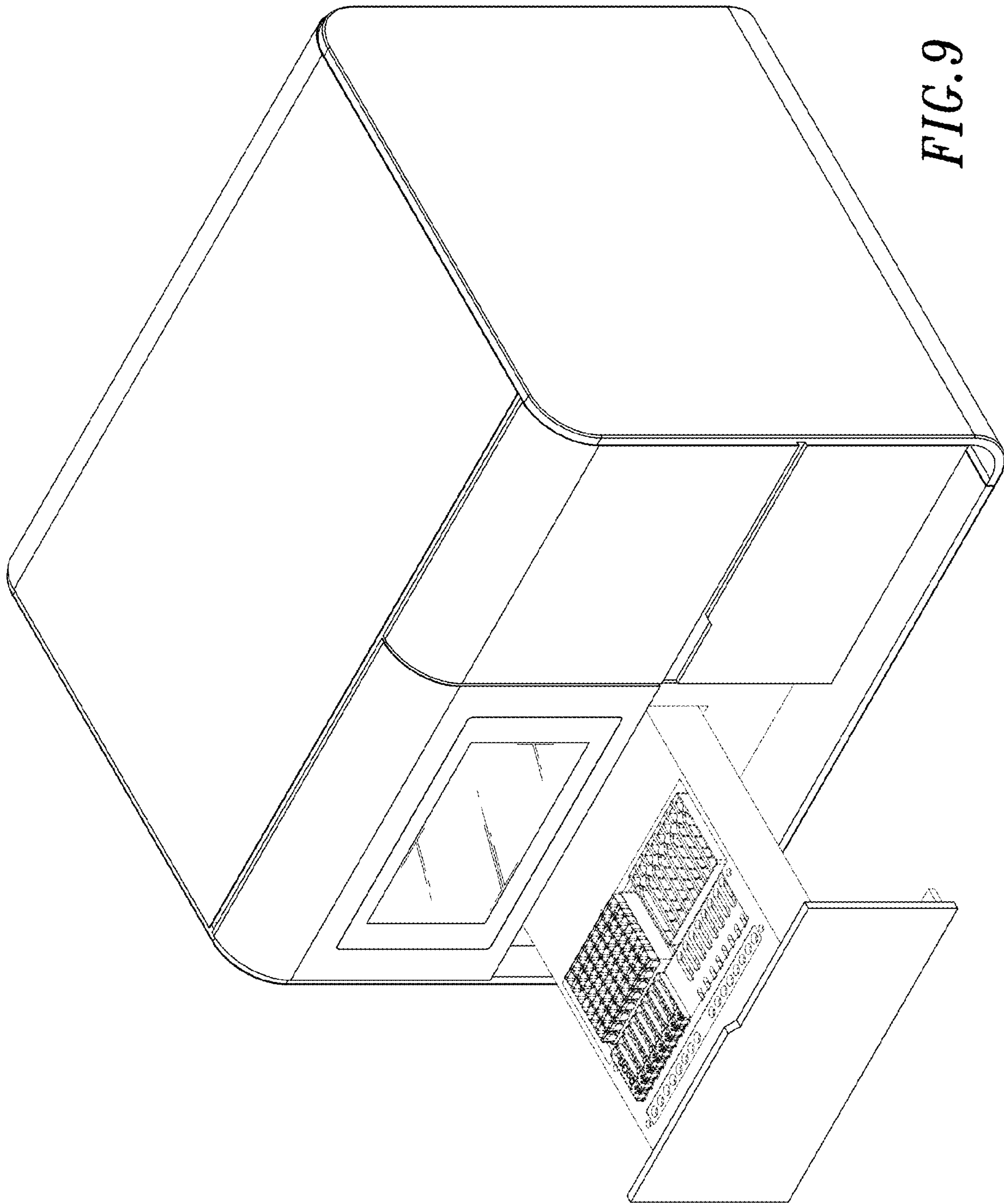
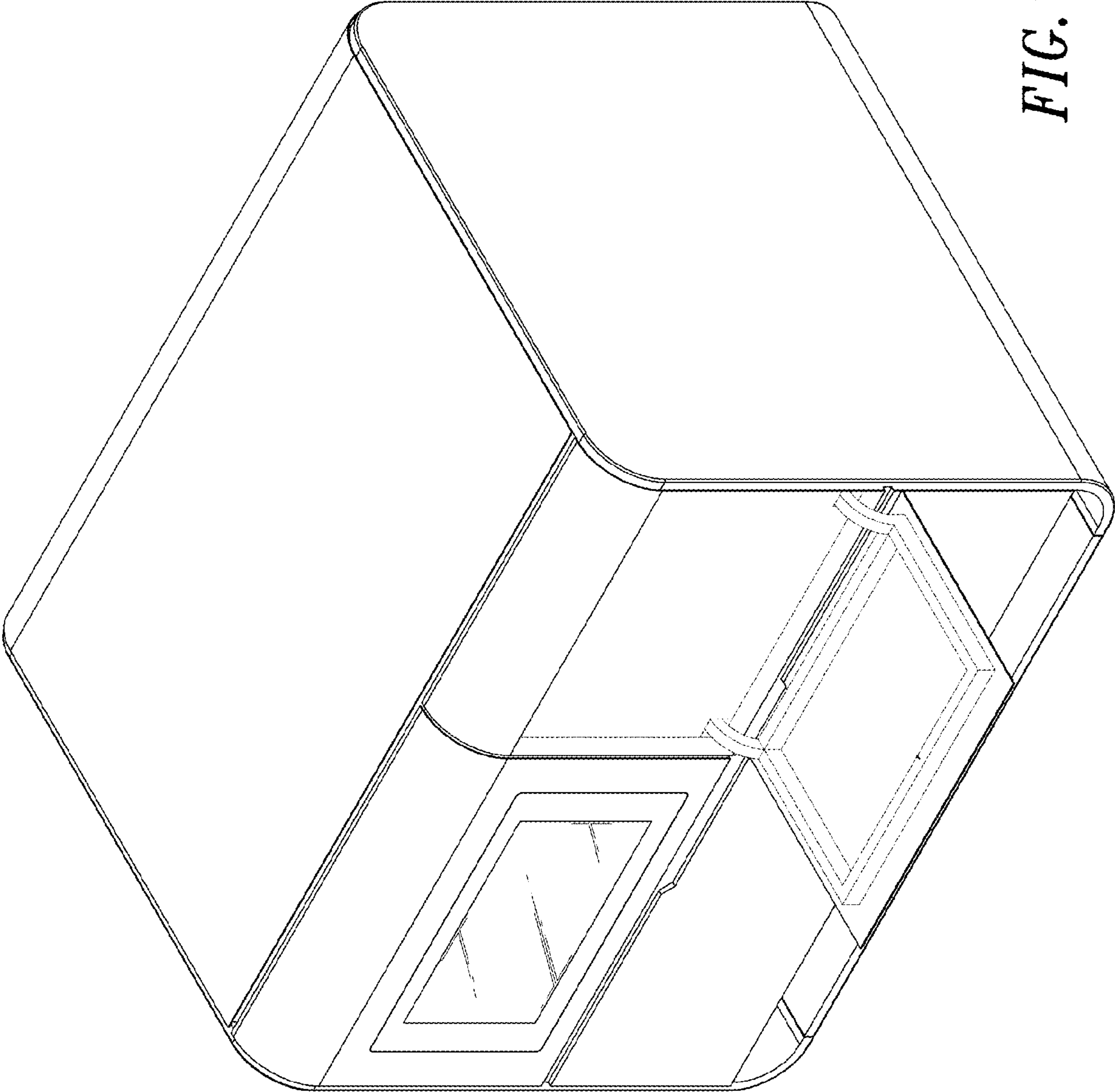


FIG. 8





*FIG. 10*

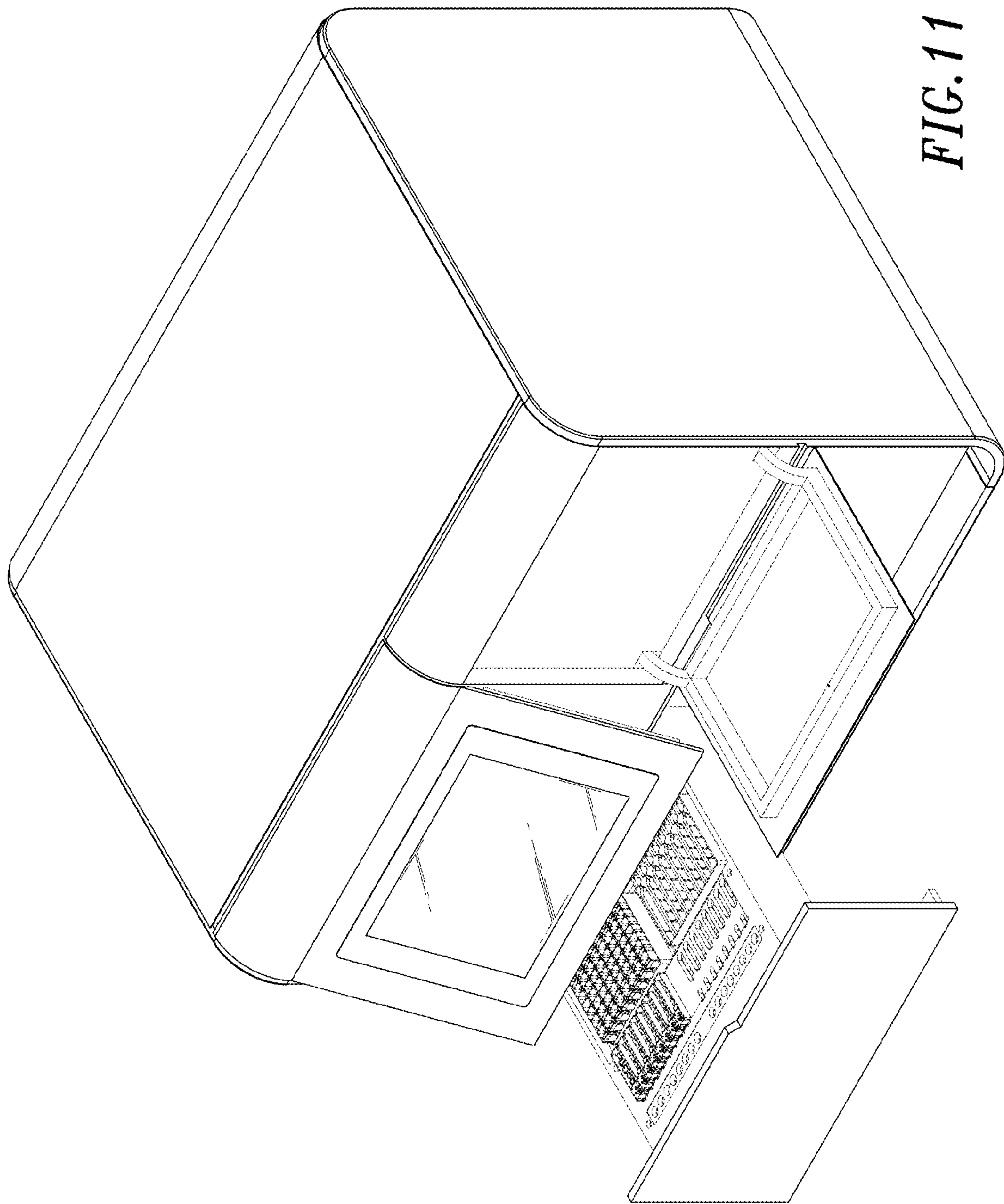


FIG. 11