

US00D962471S

(12) **United States Design Patent** (10) **Patent No.:** **US D962,471 S**
Luoma, II et al. (45) **Date of Patent:** **** Aug. 30, 2022**

(54) **REAGENT CONTAINER**

(71) Applicant: **Abbott Laboratories**, Abbott Park, IL (US)

(72) Inventors: **Robert Paul Luoma, II**, Colleyville, TX (US); **Brian L. Ochraneck**, Southlake, TX (US); **Cheryl L. Davidson**, Southlake, TX (US); **Bradley C. Weston**, Frisco, TX (US)

(73) Assignee: **Abbott Laboratories**, Abbott Park, IL (US)

(**) Term: **15 Years**

(21) Appl. No.: **29/762,684**

(22) Filed: **Dec. 17, 2020**

Related U.S. Application Data

(60) Division of application No. 29/721,479, filed on Jan. 21, 2020, now Pat. No. Des. 905,866, which is a division of application No. 29/640,815, filed on Mar. 16, 2018, now Pat. No. Des. 875,270, which is a division of application No. 29/531,434, filed on Jun. 25, 2015, now Pat. No. Des. 822,224, which is a continuation of application No. 13/801,451, filed on Mar. 13, 2013, now Pat. No. 10,058,866.

(51) **LOC (13) Cl.** **24-02**

(52) **U.S. Cl.**
USPC **D24/224**

(58) **Field of Classification Search**
USPC D24/121, 216, 223-232; D9/423, 424, D9/455, 517; D7/300, 300.1, 316, 317, D7/598
CPC B01L 3/0234; B01L 3/50825; B01L 9/00; B01L 9/06; B01F 13/0016; B01F 13/002; B01F 11/0022; G01N 35/04
See application file for complete search history.

(56) **References Cited**

U.S. PATENT DOCUMENTS

423,362 A 3/1890 Wells
2,514,680 A 7/1950 Stafford
3,777,652 A 12/1973 Engel
3,994,594 A 11/1976 Sandroock et al.

(Continued)

FOREIGN PATENT DOCUMENTS

CA 2556772 9/2005
CN 1183057 5/1998

(Continued)

OTHER PUBLICATIONS

60 mL Black Reagent Reservoir, Self-Standing with Lid, Bulk. Online, published date unknown. Retrieved on Jan. 30, 2022 from URL: <https://www.hamiltoncompany.com/automated-liquid-handling/other-robotics/56694-03>.*

(Continued)

Primary Examiner — Omeed Agilee

(74) *Attorney, Agent, or Firm* — Hanley, Flight & Zimmerman, LLC

(57) **CLAIM**

The ornamental design for a reagent container, as shown and described.

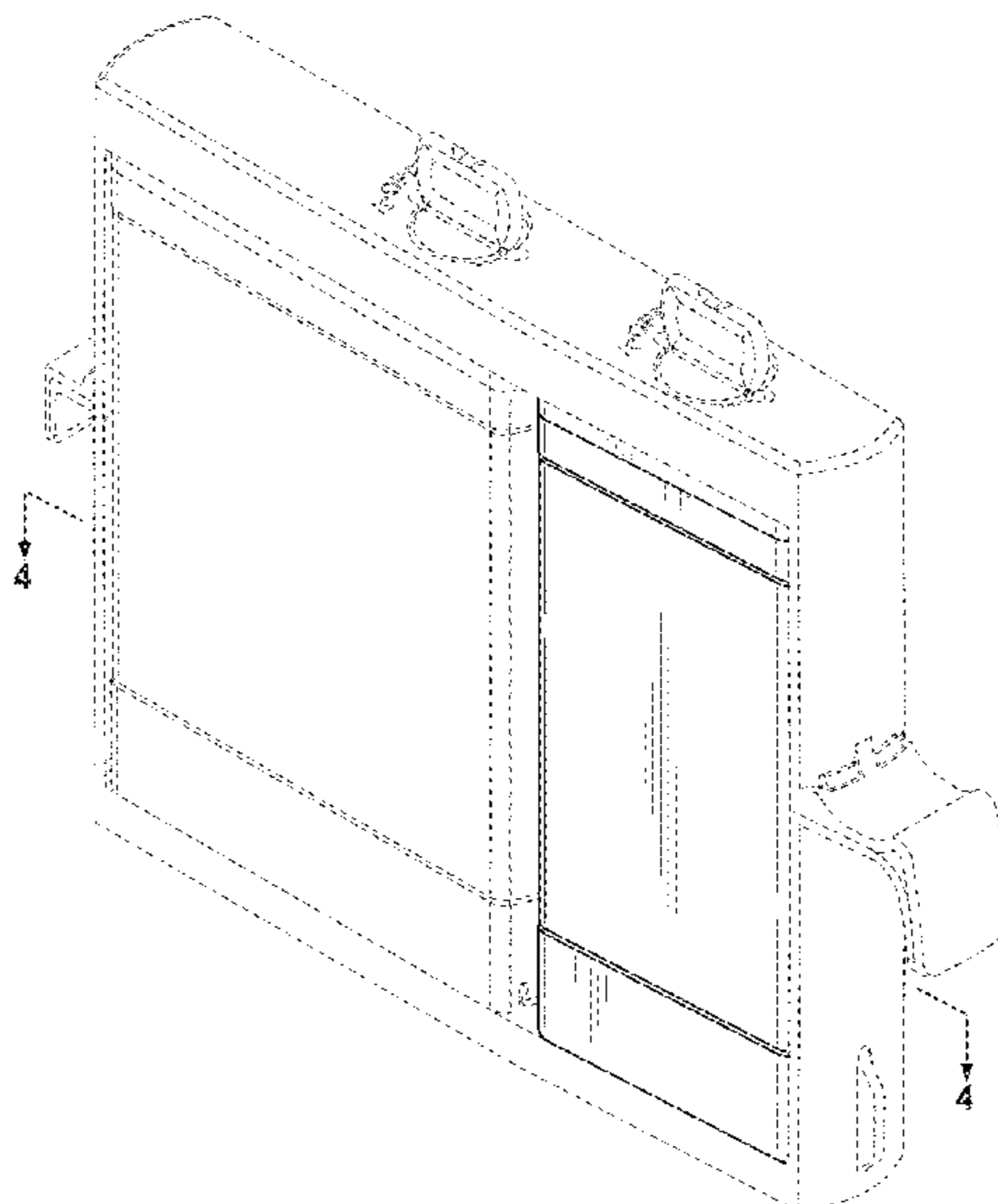
DESCRIPTION

FIG. 1 is a front right perspective view of a reagent container.

FIG. 2 is a front view of the reagent container of FIG. 1. FIG. 3 is a rear view of the reagent container of FIG. 1; and, FIG. 4 is a cross-sectional view of the reagent container of FIG. 1 taken along line 4-4 of FIG. 1.

The broken lines show features of the reagent container that form no part of the claimed design.

1 Claim, 3 Drawing Sheets



(56)

References Cited

U.S. PATENT DOCUMENTS

D273,987 S	5/1984	Holen et al.	D632,402 S	2/2011	Sattler et al.
4,515,753 A	5/1985	Smith et al.	7,897,379 B2	3/2011	Kenney et al.
4,557,600 A	12/1985	Klose et al.	D637,731 S	5/2011	Sattler et al.
D290,225 S *	6/1987	Carlson D9/524	7,951,344 B2	5/2011	Kikuchi et al.
4,684,614 A	8/1987	Krovak et al.	7,964,140 B2	6/2011	Watari
4,705,668 A	11/1987	Kaltenbach et al.	D645,973 S	9/2011	Hoenes
4,720,374 A	1/1988	Ramachandran	8,017,094 B2	9/2011	Meyer et al.
D297,166 S	8/1988	Hollar et al.	8,133,721 B2	3/2012	Yang et al.
4,849,177 A	7/1989	Jordan	8,187,558 B2	5/2012	Jacobs et al.
4,883,763 A	11/1989	Holen et al.	D665,095 S	8/2012	Wilson et al.
4,913,309 A	4/1990	Fink	D666,736 S	9/2012	Kobayashi
5,005,721 A	4/1991	Jordan	D672,881 S	12/2012	Kraihanzel
5,128,104 A	7/1992	Murphy et al.	8,535,624 B2	9/2013	Luoma, II
D342,140 S *	12/1993	Sakagami D9/523	D696,419 S	12/2013	Fusellier et al.
5,324,481 A	6/1994	Dunn et al.	9,149,979 B2	10/2015	Sattler et al.
D350,604 S	9/1994	Weiss et al.	9,304,140 B2	4/2016	Wakamiya
D355,260 S	2/1995	Tomasso	D769,456 S	10/2016	Dulaff
D358,468 S	5/1995	Howard	D774,182 S	12/2016	Davidian et al.
5,417,922 A	5/1995	Markin et al.	9,535,082 B2	1/2017	Luoma, II
D365,153 S	12/1995	Robertson, Jr.	9,539,082 B2	1/2017	Olsen et al.
5,516,207 A	5/1996	Habicht	D782,060 S	3/2017	Luoma, II
5,578,272 A	11/1996	Koch et al.	D782,061 S	3/2017	Luoma, II
5,632,399 A	5/1997	Palmieri et al.	D782,062 S	3/2017	Luoma, II
D380,553 S	7/1997	Riekkinen	D782,063 S	3/2017	Luoma, II et al.
5,758,786 A	6/1998	John	D815,299 S	4/2018	Luoma, II
5,788,928 A	8/1998	Carey et al.	D822,224 S	7/2018	Luoma, II et al.
5,811,296 A	9/1998	Chemelli et al.	10,058,866 B2	8/2018	Luoma, II et al.
D400,263 S *	10/1998	Shugart D24/224	D848,636 S	5/2019	Kraemer et al.
5,830,411 A	11/1998	Martinell Gisper-Sauch	D875,269 S	2/2020	Luoma, II
D404,831 S	1/1999	Yamazaki et al.	D875,270 S	2/2020	Luoma, II et al.
D407,826 S	4/1999	Yamazaki et al.	D898,573 S *	10/2020	Noyori D9/455
D411,014 S	6/1999	Berger et al.	D905,866 S	12/2020	Luoma, II et al.
5,908,242 A	6/1999	St. John et al.	10,926,263 B2	2/2021	Luoma, II et al.
5,968,453 A	10/1999	Shugart	D924,328 S *	7/2021	Adams D20/8
6,066,300 A	5/2000	Carey et al.	D937,435 S *	11/2021	Rai D24/230
6,123,205 A *	9/2000	Dumitrescu B01L 9/06 211/74	D938,612 S *	12/2021	Liu D24/229
D433,149 S	10/2000	Fassbind et al.	2002/0169518 A1	11/2002	Luoma, II et al.
6,149,872 A	11/2000	Mack et al.	2003/0044323 A1	3/2003	Diamond et al.
6,190,617 B1	2/2001	Clark et al.	2003/0129766 A1	7/2003	Kawamura et al.
6,190,619 B1	2/2001	Kilcoin et al.	2004/0005714 A1	1/2004	Safar et al.
6,299,567 B1	10/2001	Forrest et al.	2004/0134750 A1	7/2004	Luoma, II
6,319,719 B1	11/2001	Bhullar et al.	2005/0026295 A1	2/2005	Harding et al.
6,375,030 B1	4/2002	Spickelmire	2005/0106756 A1	5/2005	Blankenstein et al.
6,386,749 B1	5/2002	Watts et al.	2005/0169102 A1	8/2005	Manke
6,431,388 B1	8/2002	Spickelmire et al.	2005/0175338 A1	8/2005	Ide et al.
6,432,359 B1	8/2002	Carey et al.	2006/0087911 A1	4/2006	Herz et al.
6,458,526 B1	10/2002	Schembri et al.	2006/0263248 A1	11/2006	Gomm et al.
6,509,193 B1	1/2003	Tajima	2006/0286004 A1	12/2006	Jacobs et al.
6,511,634 B1	1/2003	Bradshaw et al.	2007/0010019 A1	1/2007	Luoma, II
6,517,230 B1	2/2003	Afnan et al.	2007/0166193 A1	7/2007	Veen et al.
6,517,783 B2	2/2003	Horner et al.	2008/0056948 A1	3/2008	Dale et al.
6,537,505 B1	3/2003	LaBudde et al.	2008/0064090 A1	3/2008	Whittlinger
D482,454 S	11/2003	Gebrian	2008/0085222 A1	4/2008	Fukuda et al.
D494,851 S *	8/2004	Uchiyama D18/43	2008/0226513 A1	9/2008	Morbidelli et al.
D502,268 S	2/2005	Sakai et al.	2008/0317632 A1	12/2008	Shimasaki et al.
6,866,820 B1	3/2005	Otto et al.	2009/0004058 A1	1/2009	Liang et al.
D517,597 S	3/2006	Andoh	2009/0207690 A1	8/2009	Curtis et al.
D531,736 S	11/2006	Gomm et al.	2009/0215159 A1	8/2009	Kirby
D532,524 S	11/2006	Gomm et al.	2009/0325309 A1	12/2009	Favuzzi et al.
D533,587 S	12/2006	Andoh	2010/0092343 A1	4/2010	Németh
D533,947 S	12/2006	Gomm et al.	2010/0111765 A1	5/2010	Gomm et al.
D534,280 S	12/2006	Gomm et al.	2010/0190265 A1	7/2010	Dufva et al.
7,182,912 B2	2/2007	Carey et al.	2010/0276445 A1	11/2010	Jacobs et al.
7,238,521 B2	7/2007	Hahn et al.	2011/0165017 A1 *	7/2011	Christian A61L 2/04 422/1
7,458,483 B2	12/2008	Luoma, II	2012/0087830 A1	4/2012	Wakamiya
7,485,118 B2	2/2009	Blankenstein et al.	2012/0141339 A1	6/2012	Sattler et al.
7,615,370 B2	11/2009	Streit et al.	2012/0195808 A1	8/2012	Arras et al.
7,628,954 B2	12/2009	Gomm et al.	2012/0218854 A1	8/2012	Behringer et al.
D611,821 S *	3/2010	Gabrielsson D9/563	2013/0059376 A1	3/2013	Justice et al.
7,731,414 B2	6/2010	Vincent et al.	2014/0038307 A1	2/2014	Daub et al.
7,736,907 B2	6/2010	Blankenstein et al.	2014/0269158 A1	9/2014	Luoma, II
D620,603 S	7/2010	Talmer et al.	2014/0271411 A1	9/2014	Luoma, II et al.
7,794,656 B2	9/2010	Liang et al.	2015/0010443 A1	1/2015	Hasegawa
D630,765 S	1/2011	Winkenbach et al.	2015/0057638 A1	2/2015	Davidian et al.
			2015/0224500 A1	8/2015	Brueckner et al.
			2015/0338429 A1 *	11/2015	Rousseau G01N 1/38 422/547
			2016/0266156 A1 *	9/2016	Brennan G01N 35/1016

(56)

References Cited

U.S. PATENT DOCUMENTS

2016/0320421 A1* 11/2016 Trump G01N 35/00732
 2018/0028988 A1 2/2018 Luoma, II
 2018/0252707 A1* 9/2018 Zhang B01F 29/322
 2020/0072857 A1 3/2020 Oda et al.
 2020/0080993 A1 3/2020 Zhang et al.
 2021/0170414 A1 6/2021 Luoma, II et al.

FOREIGN PATENT DOCUMENTS

CN	1726288	1/2006
CN	1980731	6/2007
CN	101334416	12/2008
CN	101391197	3/2009
CN	101439274	5/2009
CN	101484782	7/2009
CN	101489681	7/2009
CN	101541428	9/2009
CN	101583877	11/2009
CN	102202776	9/2011
CN	102667489	9/2012
CN	102576030	12/2014
CN	201830193538	5/2019
CN	201930270002.6	* 2/2020
CN	108325439	7/2021
DE	19540877	5/1997
DE	202006017454	5/2007
EP	435481	7/1991
EP	0435481	7/1991
EP	831330	3/1998
EP	1855114	11/2007
EP	1687080	6/2008
EP	1733794	9/2010
EP	2255880	12/2010
EP	3915683	1/2021
EP	3560597	7/2021
EP	3536395	1/2022
GB	1307086	2/1973
GB	1307087	2/1973
JP	S527758	3/1977
JP	S56137072	10/1981
JP	S58134773	9/1983
JP	S63182040	7/1988
JP	H03102262	4/1991
JP	H04208864	7/1992
JP	H06253815	9/1994
JP	H07198561	8/1995
JP	H10228689	8/1998
JP	H11515106	12/1999
JP	2000009726	1/2000
JP	2002196006	7/2002
JP	2003194828	7/2003
JP	2004061160	2/2004
JP	2005017176	1/2005
JP	2005502034	1/2005
JP	2005140790	6/2005
JP	2005164509	6/2005
JP	2005181338	7/2005
JP	2006125897	5/2006
JP	2006349683	12/2006
JP	2007524842	8/2007
JP	2007309740	11/2007
JP	2008026221	2/2008
JP	2008096195	4/2008
JP	4268212	5/2009
JP	2009276252	11/2009
JP	2009544959	12/2009
JP	2010509144	3/2010
JP	2011099769	5/2011
JP	2016516990	6/2016
JP	6092459	3/2017
WO	9634681	11/1996
WO	03020427	3/2003
WO	2006119361	11/2006
WO	2007125642	11/2007
WO	2008030961	3/2008

WO	2008058979	5/2008
WO	2009131705	10/2009
WO	2011091233	7/2011
WO	2014163700	10/2014

OTHER PUBLICATIONS

International Searching Authority, "Invitation to Pay Additional Fees and, Where Applicable, Protest Fee and Communication Relating to the Results of the Partial International Search," issued in connection with International Patent Application No. PCT/US2013/078036, dated Apr. 23, 2014, 7 pages.

International Searching Authority, "International Search Report and Written Opinion," issued in connection with International Patent Application No. PCT/US2013/078036, dated Jun. 25, 2014, 17 pages.

International Searching Authority, "International Search Report and Written Opinion," issued in connection with International Patent Application No. PCT/US2013/078034, dated Sep. 12, 2014, 21 pages.

International Searching Authority, "Invitation to Pay Additional Fees and, Where Applicable, Protest Fee and Communication Relating to the Results of the Partial International Search," issued in connection with International Patent Application No. PCT/US2013/078034, dated Jun. 3, 2014, 7 pages.

International Searching Authority, "International Preliminary Report on Patentability," issued in connection with International Patent Application No. PCT/US2013/078034, dated Sep. 24, 2015, 15 pages.

Isaacson et al., "Hydrodynamic damping due to baffles in a rectangular tank," Canadian Journal of Civic Engineering, Jul. 21, 2001, 9 pages.

European Patent Office, "Communication pursuant to Article 94(3) EPC," issued in connection with European Patent No. 13 821 411.9, dated Jun. 7, 2017, 8 pages.

Japanese Patent Office, "Notice of Rejection," issued in connection with Japanese Patent Application No. 2016-500147, dated Oct. 4, 2016, 8 pages. (With Translation).

Japanese Patent Office, "Notice of Rejection," issued in connection with Japanese Patent Application No. 2016-500148, dated Sep. 6, 2016, 11 pages. (With Translation).

State Intellectual Property Office of the P.R. China, "Notification of Grant of Patent Right for a Design," issued in connection with Chinese Patent Application No. 201630099345.7, dated May 19, 2016, 5 pages.

State Intellectual Property Office of the P.R. China, "Notification of Grant of Patent Right for a Design," issued in connection with Chinese Patent Application No. 201630099342.3, dated May 19, 2016, 5 pages. (With Translation).

State Intellectual Property Office of the P.R. China, "First Office Action," issued in connection with Chinese Patent Application No. 201380076523.8, dated Oct. 18, 2016, 8 pages. (With Translation).

State Intellectual Property Office of the P.R. China, "Second Office Action," issued in connection with Chinese Patent Application No. 201380076521.9, dated Feb. 3, 2017, 23 pages.

State Intellectual Property Office of the P.R. China, "First Office Action and Search Report," issued in connection with Chinese Patent Application No. 201380076521.9, dated Jul. 13, 2016, 22 pages.

United States Patent and Trademark Office, "Restriction and/or Election Requirement," issued in connection with U.S. Appl. No. 13/801,154, dated Jul. 14, 2015, 7 pages.

United States Patent and Trademark Office, "Office Action," issued in connection with U.S. Appl. No. 13/801,154, dated Oct. 5, 2015, 6 pages.

United States Patent and Trademark Office, "Restriction and/or Election Requirement," issued in connection with U.S. Appl. No. 13/801,451, dated Jul. 16, 2014, 6 pages.

United States Patent and Trademark Office, "Office Action," issued in connection with U.S. Appl. No. 13/801,451, dated Feb. 18, 2015, 13 pages.

(56)

References Cited

OTHER PUBLICATIONS

United States Patent and Trademark Office, "Final Office Action," issued in connection with U.S. Appl. No. 13/801,451, dated Aug. 28, 2015, 16 pages.

United States Patent and Trademark Office, "Advisory Action," issued in connection with U.S. Appl. No. 13/801,451, dated Dec. 7, 2015, 11 pages.

United States Patent and Trademark Office, "Final Office Action," issued in connection with U.S. Appl. No. 13/801,451, dated Feb. 24, 2017, 44 pages.

United States Patent and Trademark Office, "Non-Final Office Action," issued in connection with U.S. Appl. No. 13/801,451, dated Jun. 15, 2017, 27 pages.

United States Patent and Trademark Office, "Office Action," issued in connection with U.S. Appl. No. 13/801,451, dated Aug. 12, 2016, 20 pages.

United States Patent and Trademark Office, "Restriction and/or Election Requirement," issued in connection with U.S. Appl. No. 29/531,434, dated May 10, 2016, 8 pages.

United States Patent and Trademark Office, "Ex Parte Quayle Action," issued in connection with U.S. Appl. No. 29/531,434, on Jan. 26, 2017, 15 pages.

United States Patent and Trademark Office, "Notice of Non-Complaint Amendment," issued in connection with U.S. Appl. No. 29/531,434, dated Jun. 29, 2017, 15 pages.

United States Patent and Trademark Office, "Restriction and/or Election Requirement," issued in connection with U.S. Appl. No. 29/531,434, dated Sep. 6, 2016, 9 pages.

United States Patent and Trademark Office, "Non-Final Office Action," issued in connection with U.S. Appl. No. 15/347,556, dated Mar. 7, 2017, 7 pages.

United States Patent and Trademark Office, "Notice of Allowance," issued in connection with U.S. Appl. No. 15/347,556, dated Jun. 14, 2017, 22 pages.

United States Patent and Trademark Office, "Restriction and/or Election Requirement," issued in connection with U.S. Appl. No. 29/531,426, dated May 16, 2016, 13 pages.

United States Patent and Trademark Office, "Restriction and/or Election Requirement," issued in connection with U.S. Appl. No. 29/531,426, dated Aug. 18, 2016, 9 pages.

United States Patent and Trademark Office, "Ex Parte Quayle Action," issued in connection with U.S. Appl. No. 29/531,426, on Dec. 30, 2016, 11 pages.

United States Patent and Trademark Office, "Notice of Non-Complaint Amendment," issued in connection with U.S. Appl. No. 29/531,426, dated Jun. 29, 2017, 7 pages.

United States Patent and Trademark Office, "Notice of Allowance," issued in connection with U.S. Appl. No. 29/531,426, dated Dec. 14, 2017, 11 pages.

United States Patent and Trademark Office, "Notice of Allowance," issued in connection with U.S. Appl. No. 29/531,426, dated Jan. 11, 2018, 2 pages.

United States Patent and Trademark Office, "Notice of Allowance," issued in connection with U.S. Appl. No. 29/531,434, dated Jan. 3, 2018, 7 pages.

European Patent Office, "Communication pursuant to Rules 161(1) and 162 EPC," issued in connection with European Patent Application No. 13821412.7, dated Oct. 28, 2015, 2 pages.

State Intellectual Property Office of the P.R. China, "Second Office Action," issued in connection with Chinese Patent Application No. 201380076523.8, dated Jun. 12, 2017, 14 pages.

International Bureau, "International Preliminary Report on Patentability," issued in connection with PCT Application No. PCT/US2013/078036, dated Sep. 24, 2015, 12 pages.

European Patent Office, "Communication pursuant to Article 94(3) EPC," issued in connection with European Patent No. 13 821 411.9, dated Feb. 26, 2018, 5 pages.

State Intellectual Property Office of the P.R. China, "Third Office Action," issued in connection with Chinese Patent Application No. 201380076521.9, dated Jul. 28, 2017, 25 pages.

United States Patent and Trademark Office, "Final Office Action," issued in connection with U.S. Appl. No. 13/801,451, dated Dec. 29, 2017, 34 pages.

Japanese Patent Office, "Notice of Rejection," issued in connection with Japanese Patent Application No. 2017-020086, dated Nov. 21, 2017, 4 pages.

Japanese Patent Office, "Notice of Rejection," issued in connection with Japanese Patent Application No. 2017-035886, dated Mar. 27, 2018, 17 pages.

European Patent Office, "Communication pursuant to Article 94(3) EPC," issued in connection with European Patent No. 13 821 412.7, dated Jun. 29, 2018, 5 pages.

European Patent Office, "Communication pursuant to Article 94(3) EPC," issued in connection with European Patent No. 13 821 412.7, dated Oct. 17, 2018, 4 pages.

European Patent Office, "Extended European Search Report," issued in connection with European Patent No. 19171575.4, dated Aug. 2, 2019, 8 pages.

United States Patent and Trademark Office, "Non-Final Office Action," issued in connection with U.S. Appl. No. 29/640,810, dated Jun. 14, 2019, 42 pages.

Japanese Patent Office, "Notice of Rejection," issued in connection with Japanese Patent Application No. 2018-121565, dated Jul. 23, 2019, 12 pages.

European Patent Office, "Extended European Search Report," issued in connection with European Patent No. 19177884.4, dated Sep. 27, 2019, 9 pages.

United States Patent and Trademark Office, "Non-Final Office Action," issued in connection with U.S. Appl. No. 29/640,815, dated Jun. 14, 2019, 6 pages.

United States Patent and Trademark Office, "Notice of Allowance and Fee(s) Due," issued in connection with U.S. Appl. No. 29/640,815, dated Oct. 4, 2019, 15 pages.

United States Patent and Trademark Office, "Notice of Allowance and Fee(s) Due," issued in connection with U.S. Appl. No. 29/640,810, dated Oct. 3, 2019, 14 pages.

United States Patent and Trademark Office, "Notice of Allowance and Fee(s) Due," issued in connection with U.S. Appl. No. 15/730,524, dated Jan. 2, 2020, 7 pages.

Japanese Patent Office, "Notice of Rejection," issued in connection with application No. 2018-244230 dated Feb. 4, 2020, translation included, 15 pages.

National Intellectual Property Administration, P. R. China, "First Office Action," issued in connection with application No. 201810153773.1 dated Jun. 16, 2020, 14 pages.

United States Patent and Trademark Office, "Non-Final Office Action," issued in connection with U.S. Appl. No. 16/107,826, dated May 18, 2020, 15 pages.

National Intellectual Property Administration, P. R. China, "First Office Action," issued in connection with Chinese Patent Application No. 201810204160.6, dated Jul. 28, 2020, 16 pages.

European Patent Office, "Communication pursuant to Article 94(3) EPC," issued in connection with European Patent Application No. 19171575.4, dated Sep. 30, 2020, 5 pages.

United States Patent and Trademark Office, "Non-Final Office Action," issued in connection with U.S. Appl. No. 29/721,479, dated Apr. 8, 2020, 7 pages.

United States Patent and Trademark Office, "Notice of Allowance and Fee(s) Due," issued in connection with U.S. Appl. No. 29/721,479, dated Aug. 14, 2020, 5 pages.

National Intellectual Property Administration, P. R. China, "Second Office Action," issued in connection with application No. 201810199910.5 dated Dec. 7, 2020, 18 pages.

United States Patent and Trademark Office, "Restriction Requirement," issued in connection with U.S. Appl. No. 15/730,524, dated Aug. 9, 2019, 5 pages.

United States Patent and Trademark Office, "Notice of Allowance and Fee(s) Due," issued in connection with U.S. Appl. No. 13/801,154, dated Jul. 29, 2016, 5 pages.

United States Patent and Trademark Office, "Notice of Allowance," issued in connection with U.S. Appl. No. 13/801,154, dated Apr. 5, 2016, 5 pages.

(56)

References Cited

OTHER PUBLICATIONS

United States Patent and Trademark Office, "Notice of Allowance," issued in connection with U.S. Appl. No. 29/721,476, dated Jun. 24, 2020, 4 pages.

United States Patent and Trademark Office, "Non-Final Office Action," issued in connection with U.S. Appl. No. 29/721,479, dated Apr. 8, 2020, 8 pages.

United States Patent and Trademark Office, "Notice of Allowance," issued in connection with U.S. Appl. No. 29/721,479, dated Aug. 14, 2020, 5 pages.

United States Patent and Trademark Office, "Notice of Allowance," issued in connection with U.S. Appl. No. 16/107,826, dated Oct. 23, 2020, 9 pages.

Japanese Patent Office, "Notice of Rejection," issued in connection with Japanese Patent Application No. 2020-062151, dated Jan. 19, 2021, 6 pages.

European Patent Office, "Communication under Rule 71(3) EPC," issued in connection with European Patent No. 19177884.4, dated Feb. 15, 2021, 45 pages.

National Intellectual Property Administration, P. R. China, "Notification to Grant," issued in connection with Chinese Patent Application No. 201810153773.1, dated Dec. 21, 2020, 4 pages.

National Intellectual Property Administration, P. R. China, "Third Office Action," issued in connection with Chinese Patent Application No. 201810199910.5, dated Apr. 9, 2021, 11 pages.

National Intellectual Property Administration, P. R. China, "Second Office Action," issued in connection with Chinese Patent Application No. 201810204160.6, dated Apr. 16, 2021, 13 pages.

European Patent Office, "Communication under Rule 71(3) EPC," issued in connection with European Patent No. 19171575.4, dated Jul. 22, 2021, 40 pages.

European Patent Office, "Extended European Search Report," issued in connection with European Patent No. 21184185.3, dated Nov. 4, 2021, 8 pages.

Japanese Patent Office, "Notice of Rejection," issued in connection with Japanese Patent Application No. 2020-062151, dated Oct. 19, 2021, 4 pages.

Japanese Patent Office, "Notice of Rejection," issued in connection with Japanese Patent Application No. 2020-184185, dated Oct. 19, 2021, 13 pages.

National Intellectual Property Administration, P. R. China, "Third Office Action," issued in connection with Chinese Patent Application No. 201810204160.6, dated Aug. 30, 2021, 7 pages.

National Intellectual Property Administration, P. R. China, "Fourth Office Action," issued in connection with Chinese Patent Application No. 201810204160.6, dated Dec. 22, 2021, 7 pages.

* cited by examiner

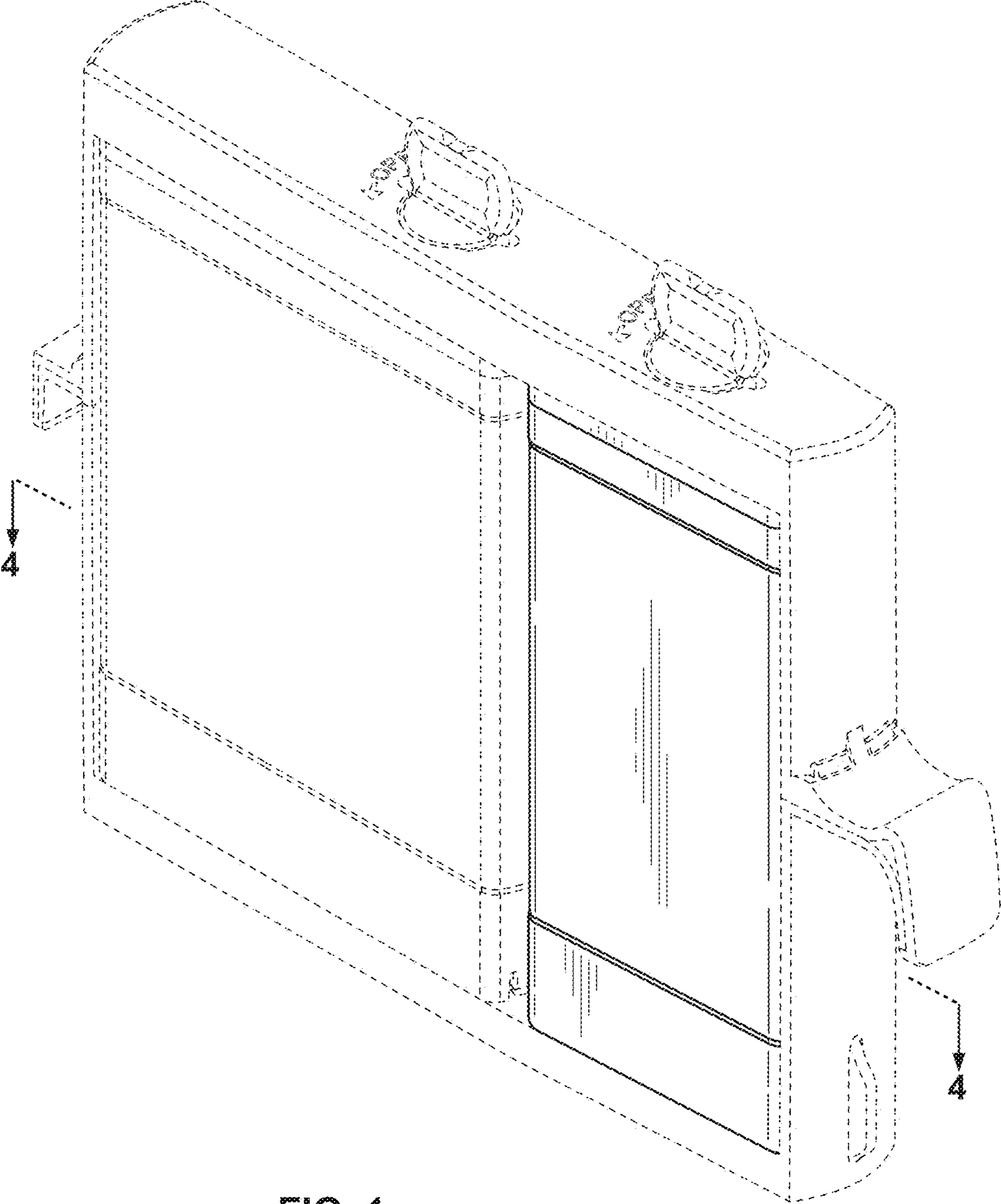


FIG. 1

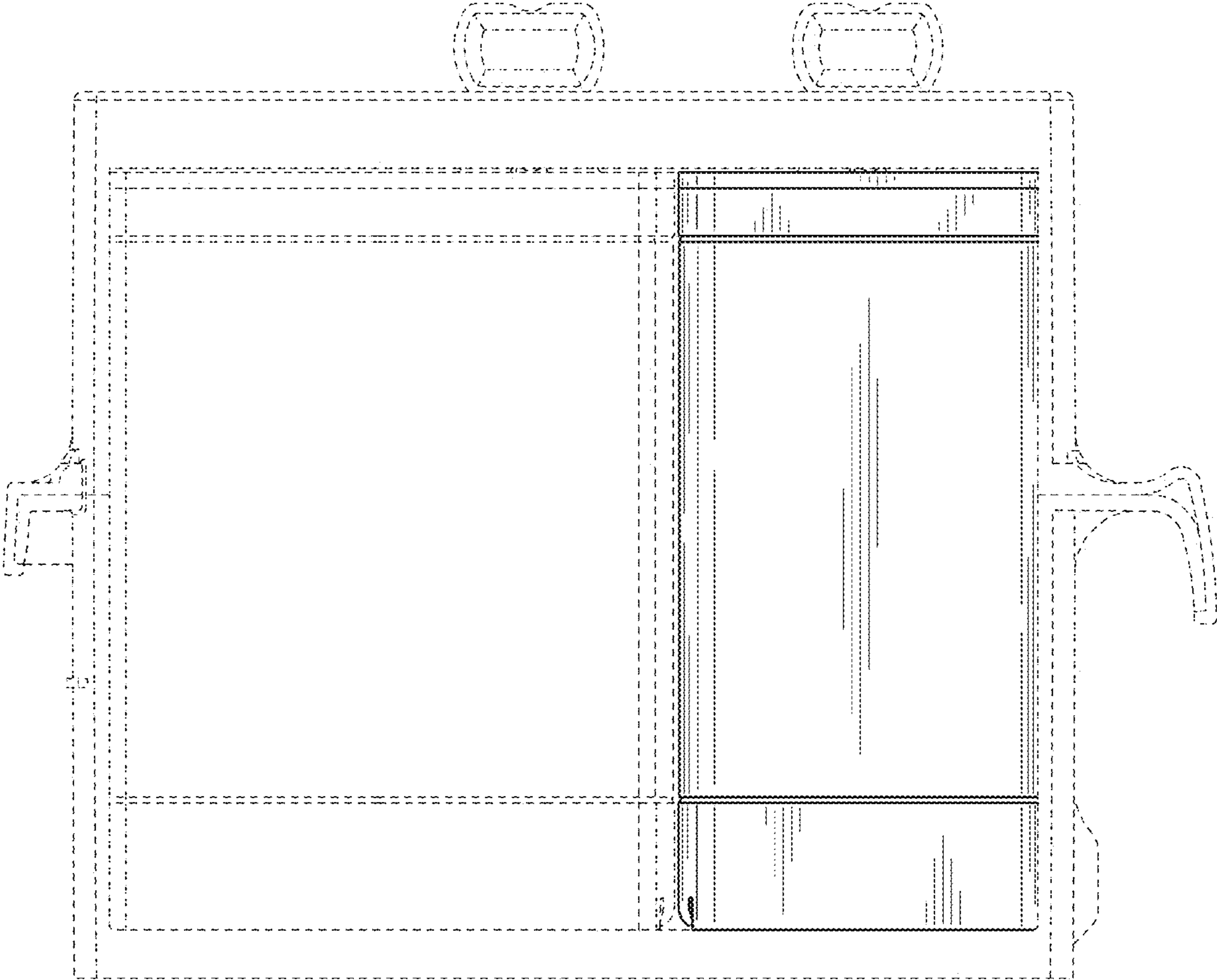


FIG. 2

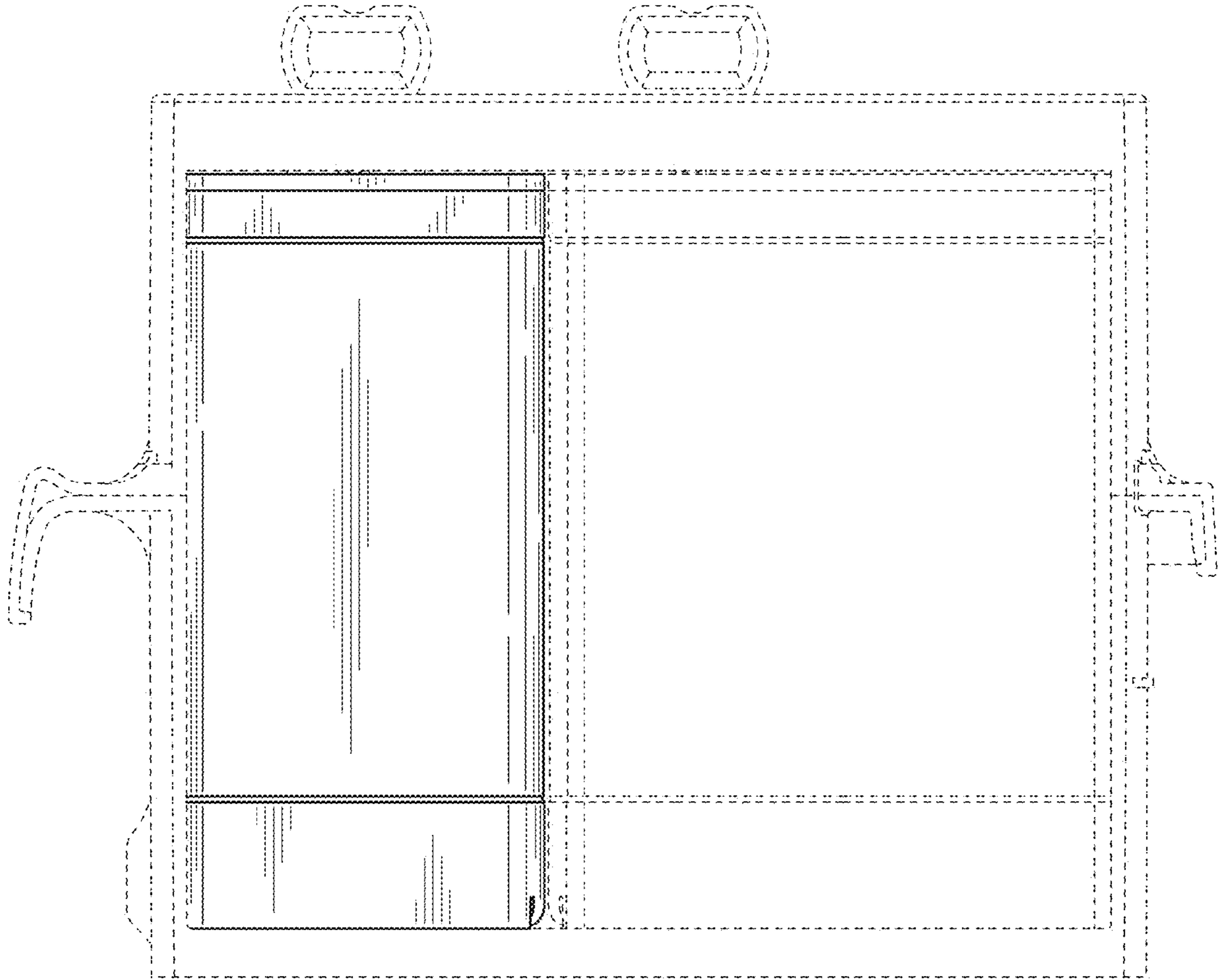


FIG. 3

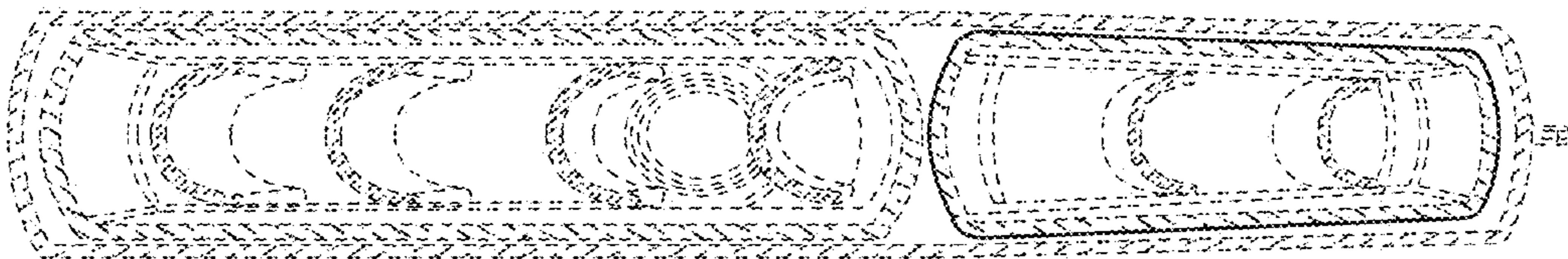


FIG. 4