

US00D962468S

(12) **United States Design Patent**  
**Dastmalchi et al.**

(10) **Patent No.:** **US D962,468 S**

(45) **Date of Patent:** **\*\* Aug. 30, 2022**

(54) **SERUM DEVICE**

(71) Applicant: **Vitagoods, LLC**, Newport Beach, CA (US)

(72) Inventors: **Alex Dastmalchi**, Newport Coast, CA (US); **Olga Avila**, Corona Del Mar, CA (US); **Samuel Wu**, Chino Hills, CA (US); **Toni Battaglia**, Newport Beach, CA (US)

(73) Assignee: **Vitagoods, LLC**, Newport Beach, CA (US)

(\*\*) Term: **15 Years**

(21) Appl. No.: **29/734,095**

(22) Filed: **May 8, 2020**

(51) **LOC (13) Cl.** ..... **24-02**

(52) **U.S. Cl.**  
USPC ..... **D24/224**

(58) **Field of Classification Search**  
USPC ..... D24/104, 108, 112–114, 127–131, 133, D24/176, 186, 220, 223, 224  
CPC ..... A61M 5/1428; A61M 5/162; A61M 5/14276; A61M 2005/14252; A61M 2005/1581; A61M 2005/14513; A61M 2005/206; A61M 39/0208

See application file for complete search history.

(56) **References Cited**

**U.S. PATENT DOCUMENTS**

D278,182 S *	3/1985	Aihara	.....	D24/224
D283,728 S *	5/1986	Aihara	.....	D24/224
D404,482 S *	1/1999	Falk	.....	D24/113
D602,586 S *	10/2009	Foley	.....	D24/113
D768,288 S *	10/2016	O'Connor	.....	D24/111
D794,805 S *	8/2017	Kranz	.....	D24/186
D805,186 S *	12/2017	Costello	.....	D24/113

D806,232 S *	12/2017	Hwang	.....	D24/112
D820,989 S *	6/2018	Wightman	.....	D24/169
D838,359 S *	1/2019	Boyaval	.....	D24/112
D883,511 S *	5/2020	Li	.....	D24/217
D891,612 S *	7/2020	Stonecipher	.....	D24/114
D908,895 S *	1/2021	Deriso	.....	D24/186
D930,352 S *	9/2021	Jiang	.....	D3/203.1

**OTHER PUBLICATIONS**

USA—What’s the Latest in Drug-Delivery Devices? Online, published date May 27, 2019. Retrieved on Nov. 6, 2021 from URL: <https://www.ris.world/usa-whats-the-latest-in-drug-delivery-devices/>.\*

\* cited by examiner

*Primary Examiner* — Omeed Agilee

(74) *Attorney, Agent, or Firm* — Avyno Law P.C.

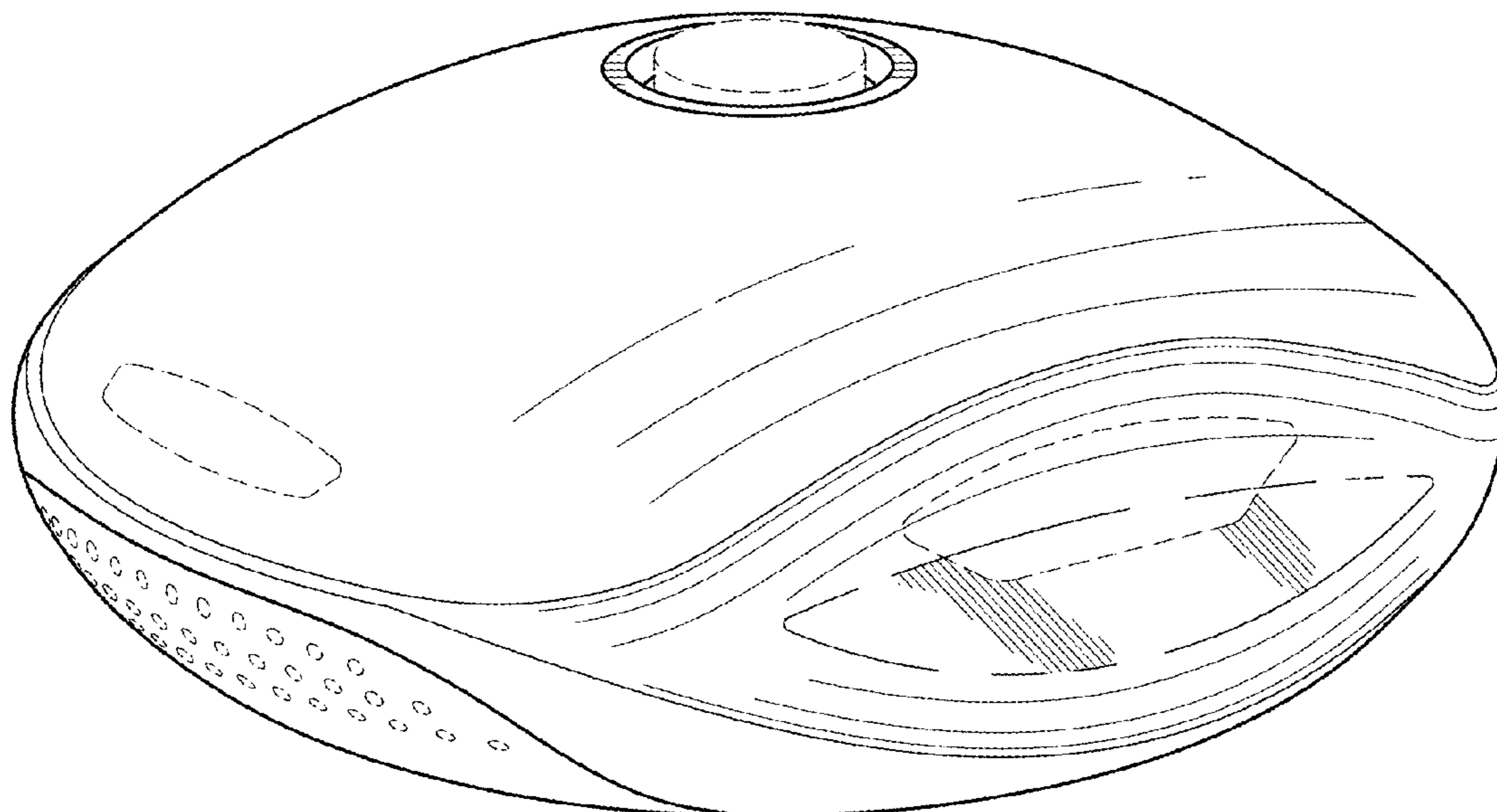
(57) **CLAIM**

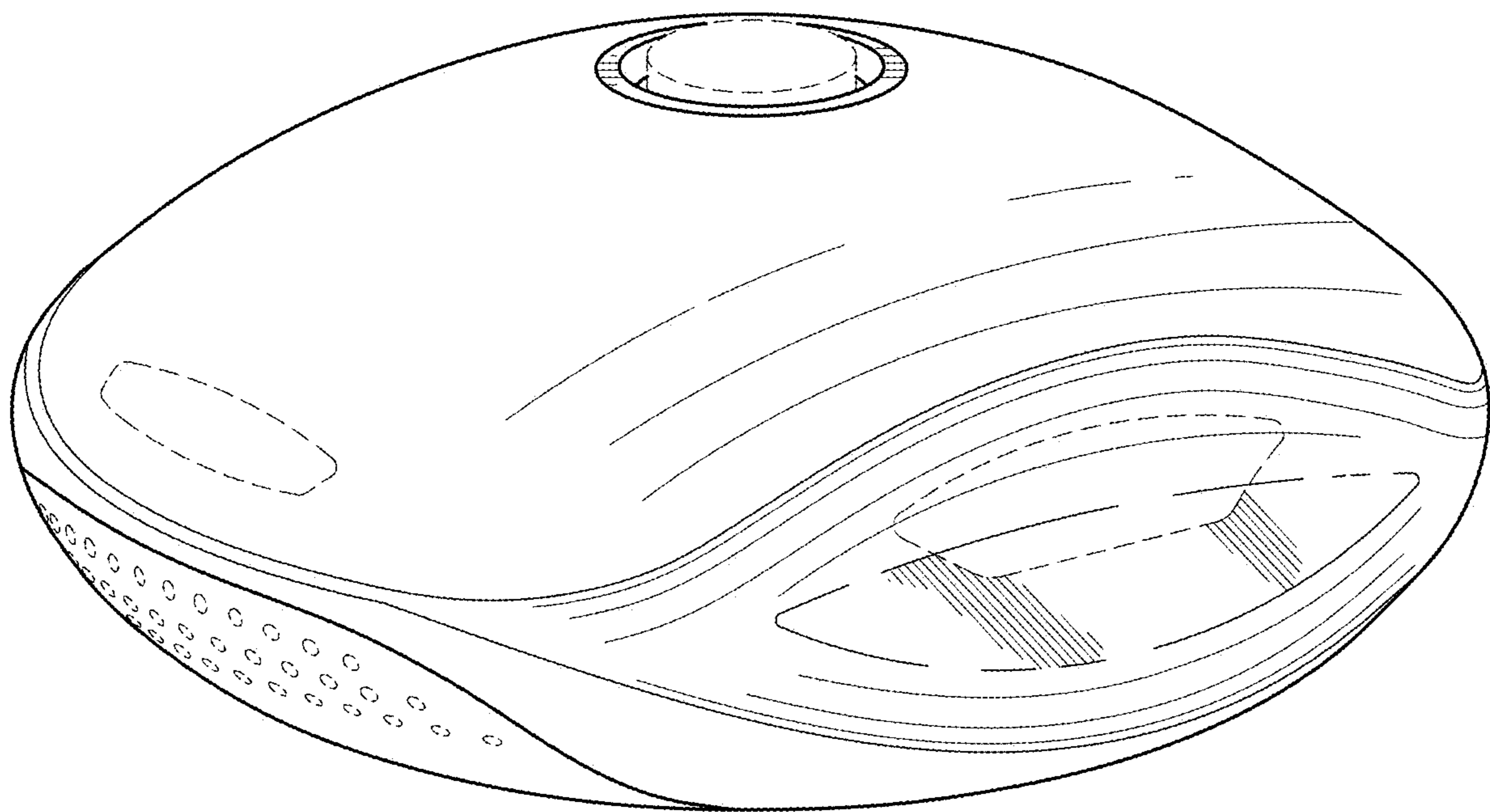
The ornamental design for a serum device, as shown and described.

**DESCRIPTION**

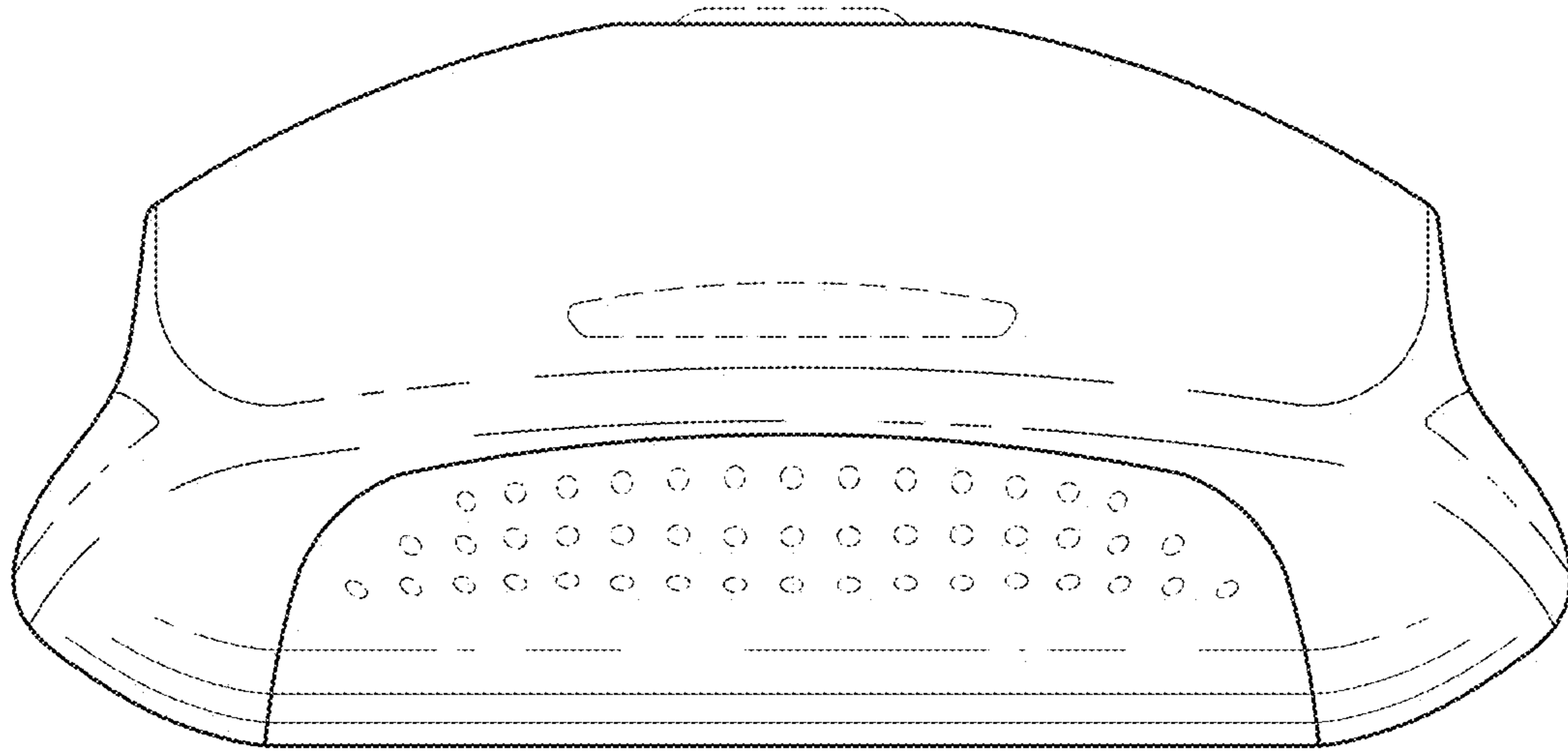
FIG. 1 is a front perspective view of a serum device. FIG. 2 is a front elevation view of the serum device of FIG. 1. FIG. 3 is a back elevation view of the serum device of FIG. 1. FIG. 4 is a right side elevation view of the serum device of FIG. 1. FIG. 5 is a left side elevation view of the serum device of FIG. 1. FIG. 6 is a top plan view of the serum device of FIG. 1; and, FIG. 7 is a bottom plan view of the serum device of FIG. 1. The broken lines, the areas within them, and the areas bounded by broken lines and solid lines depict portions of the serum device that form no part of the claimed design.

**1 Claim, 5 Drawing Sheets**

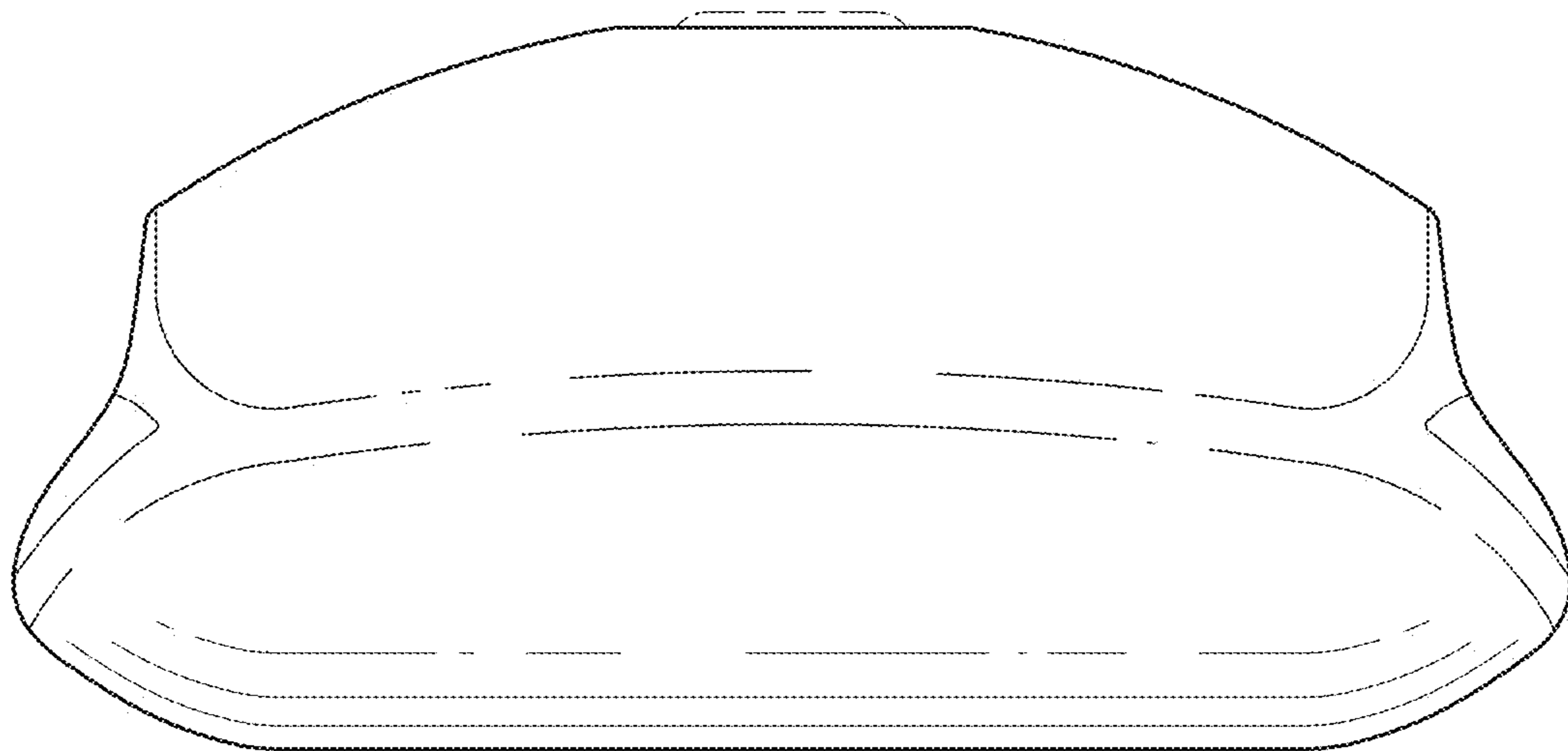




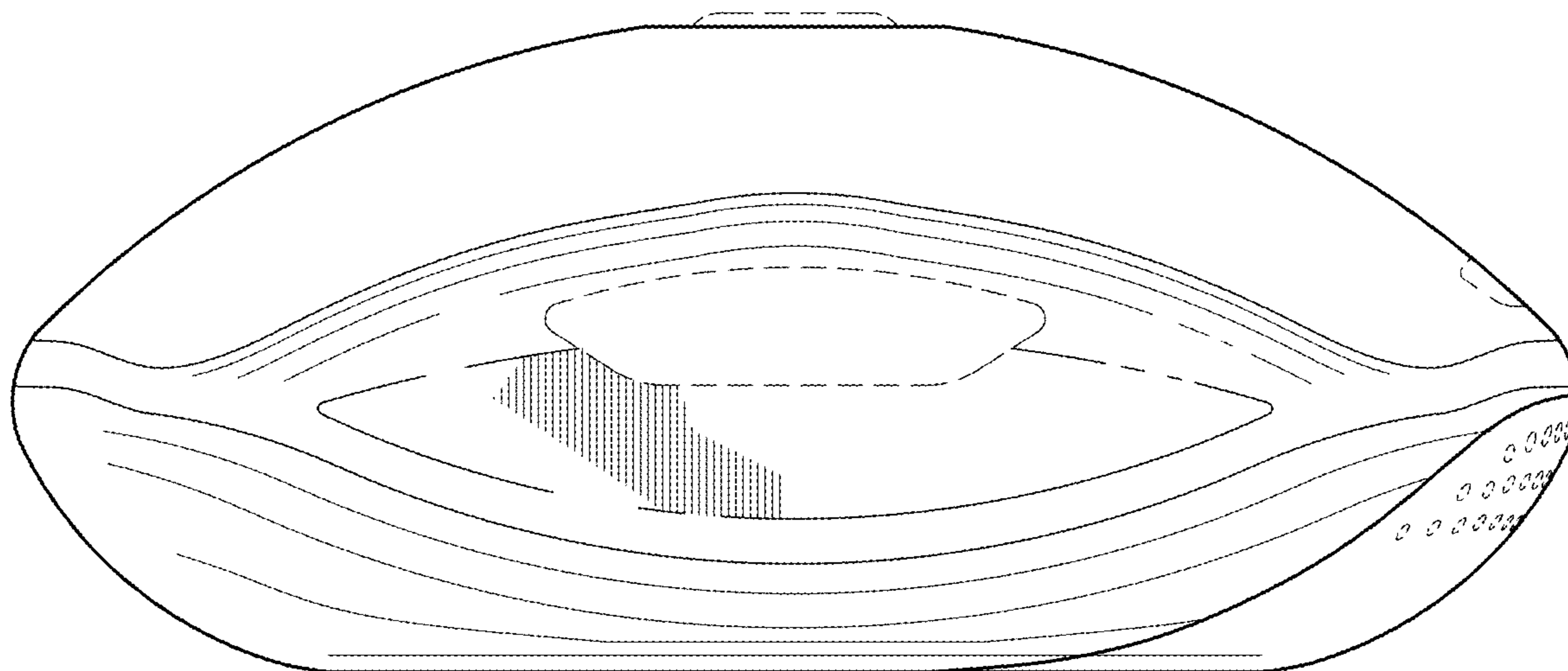
*FIG. 1*



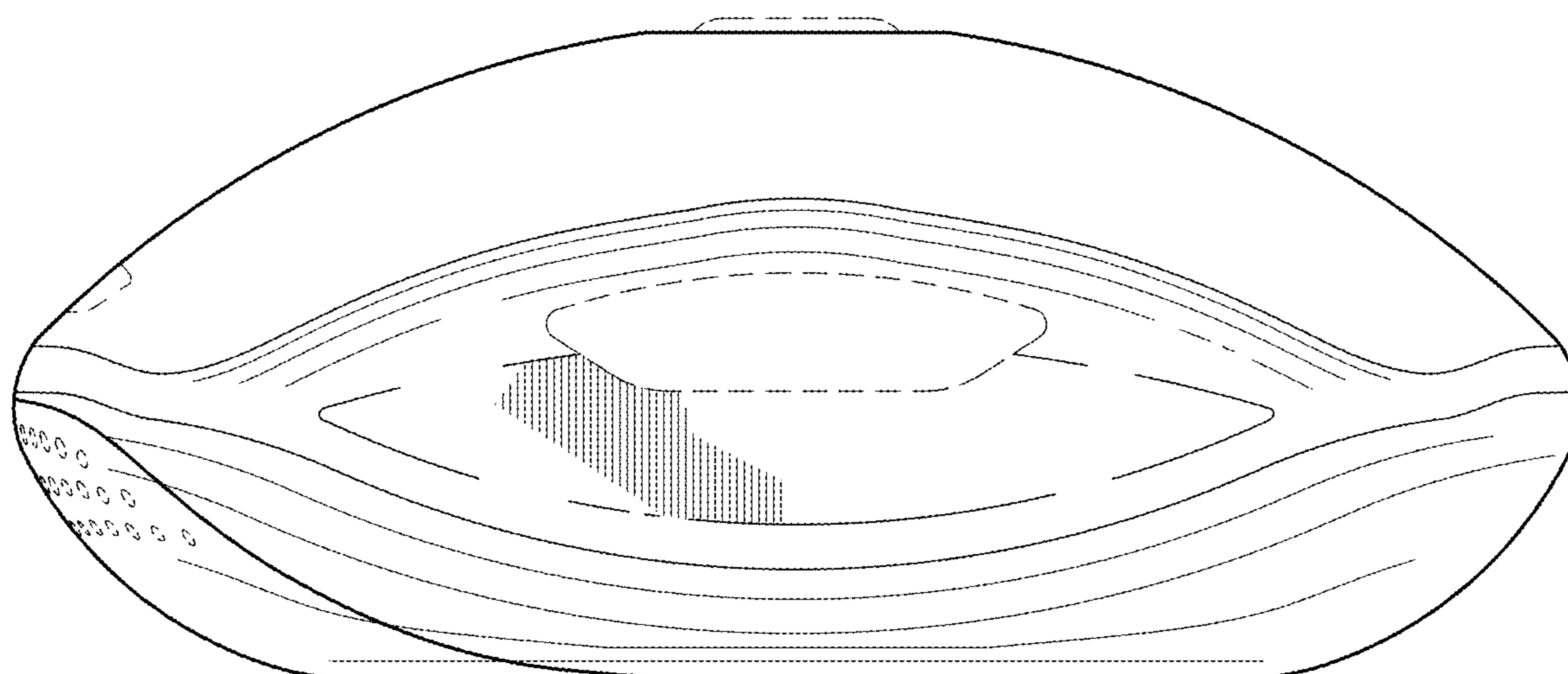
*FIG. 2*



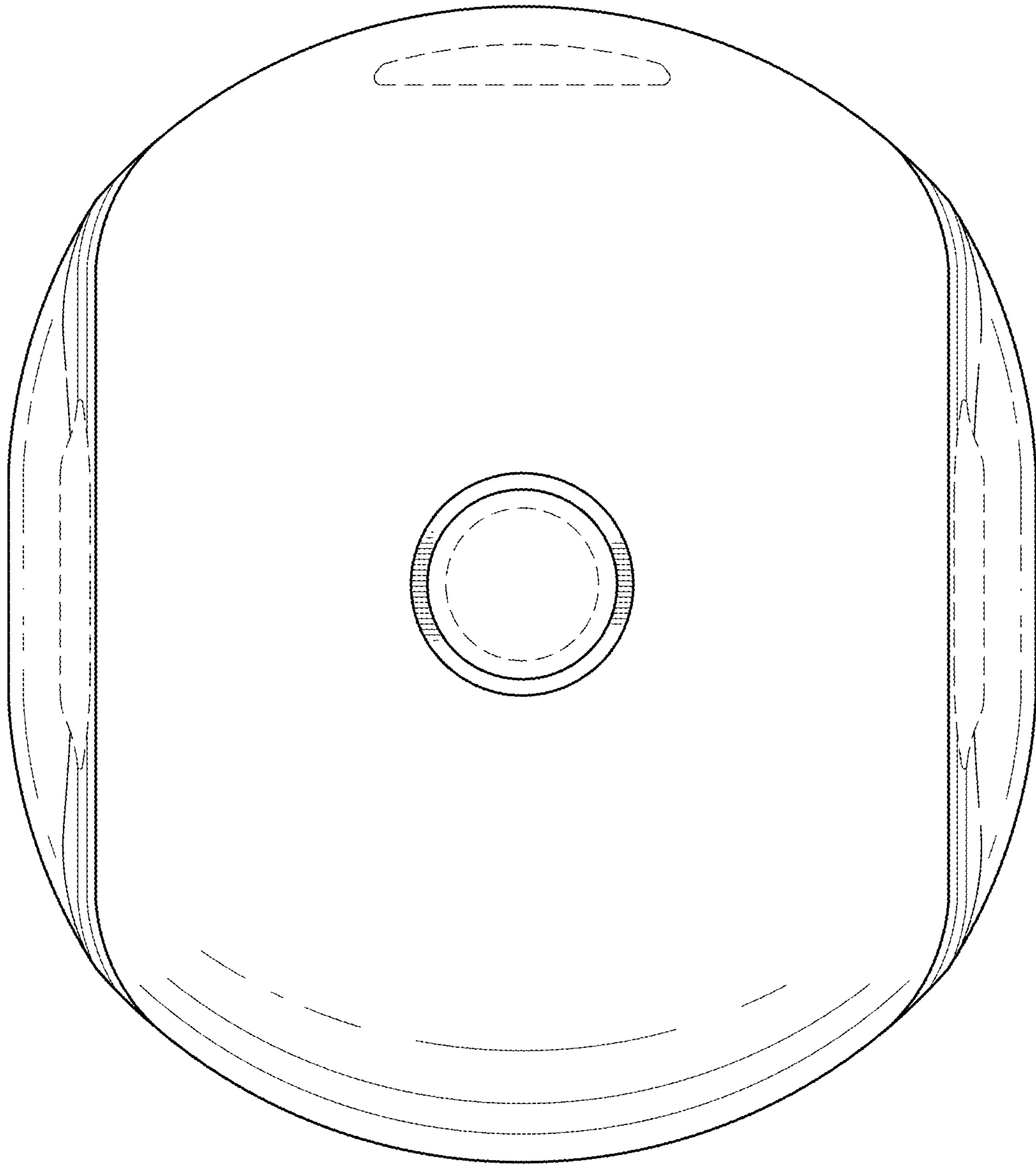
*FIG. 3*



*FIG. 4*



*FIG. 5*



*FIG. 6*

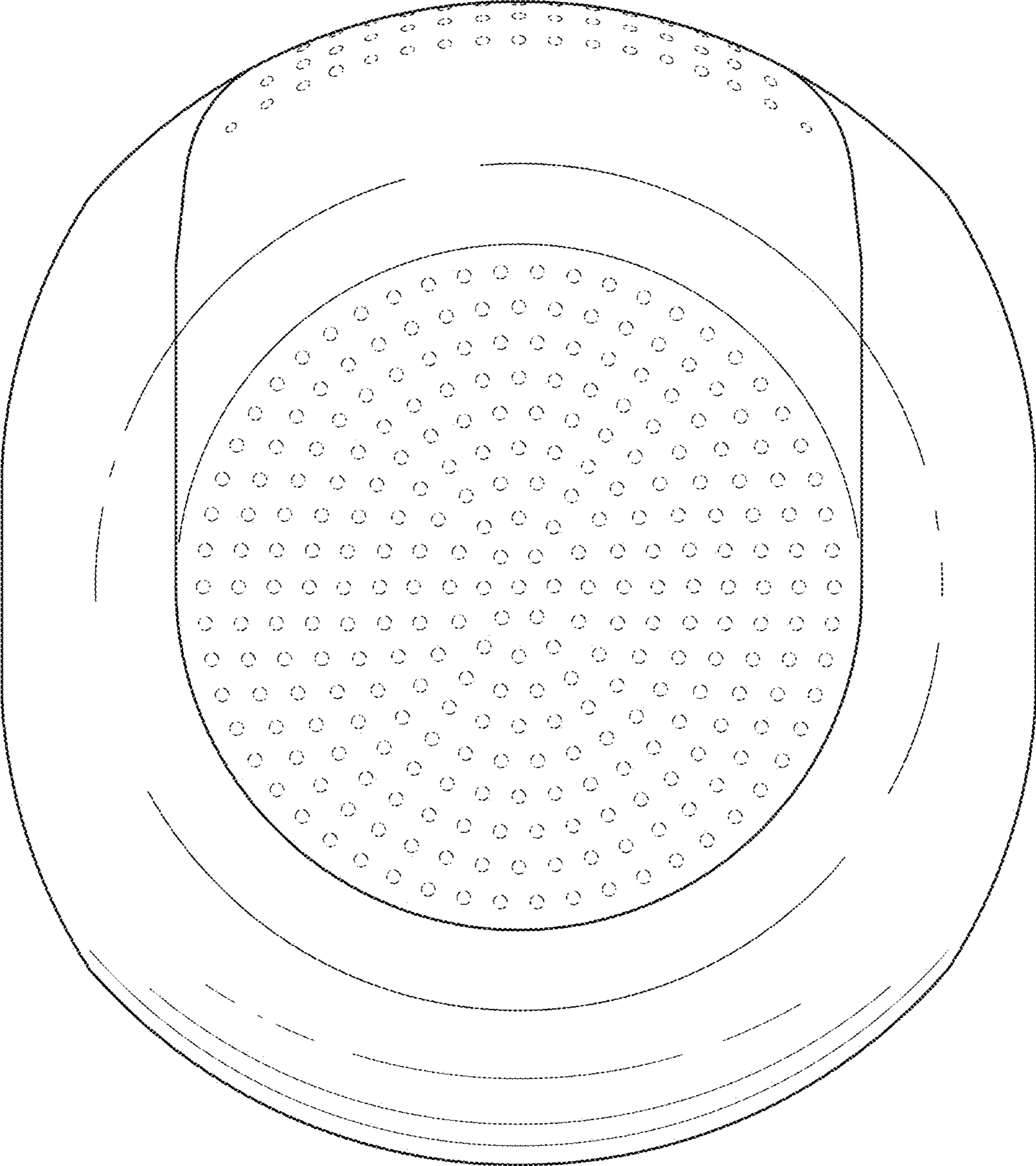


FIG. 7