

US00D962462S

(12) **United States Design Patent** (10) **Patent No.:** **US D962,462 S**
Ji (45) **Date of Patent:** **** Aug. 30, 2022**

(54) **MUSCLE MASSAGE GUN**

(71) Applicant: **Zhiyu Ji**, Hebei (CN)

(72) Inventor: **Zhiyu Ji**, Hebei (CN)

(**) Term: **15 Years**

(21) Appl. No.: **29/765,658**

(22) Filed: **Jan. 11, 2021**

(51) **LOC (13) Cl.** **28-03**

(52) **U.S. Cl.**
USPC **D24/215**

(58) **Field of Classification Search**
USPC D24/200, 211, 212, 213, 214, 215;
D8/14.1; D28/13
CPC . A61H 2201/1653; A61H 23/006; A61H 1/00
See application file for complete search history.

(56) **References Cited**

U.S. PATENT DOCUMENTS

D895,133 S *	9/2020	Xu	D24/215
D895,135 S *	9/2020	Xu	D24/215
D895,831 S *	9/2020	Chen	D24/215
D899,620 S *	10/2020	Huang	D24/215
D905,863 S *	12/2020	Lin	D24/215
D906,533 S *	12/2020	Xu	D24/215
D907,229 S *	1/2021	Zhang	D24/215
D907,230 S *	1/2021	Zhang	D24/215
D908,908 S *	1/2021	Xu	D24/215
D911,535 S *	2/2021	Yu	D24/214
D912,267 S *	3/2021	Tang	D24/215
D913,516 S *	3/2021	Zhang	D24/215
D913,517 S *	3/2021	Yu	D24/215

D917,060 S *	4/2021	Hu	D24/215
D926,333 S *	7/2021	Zhang	D24/215
D926,338 S *	7/2021	Xu	D24/215
D935,637 S *	11/2021	Li	D24/215
D939,724 S *	12/2021	Hu	D24/215

OTHER PUBLICATIONS

Amazon, "Massage Gun_Othermax", Date First Available Jul. 4, 2020. <https://www.amazon.com/Massager-Percussion-Athletes-Handheld-Powerful/dp/B08CC8XYZJ>. Shown on p. 1. (Year: 2020).*
Youtube, "M9 Pro Massage Gun Review", Mar. 9, 2021. <https://www.youtube.com/watch?v=Uoc0O7IJJ3Y>. Shown at the 0:45 second mark. (Year: 2021).*

* cited by examiner

Primary Examiner — Michael A Maharajh

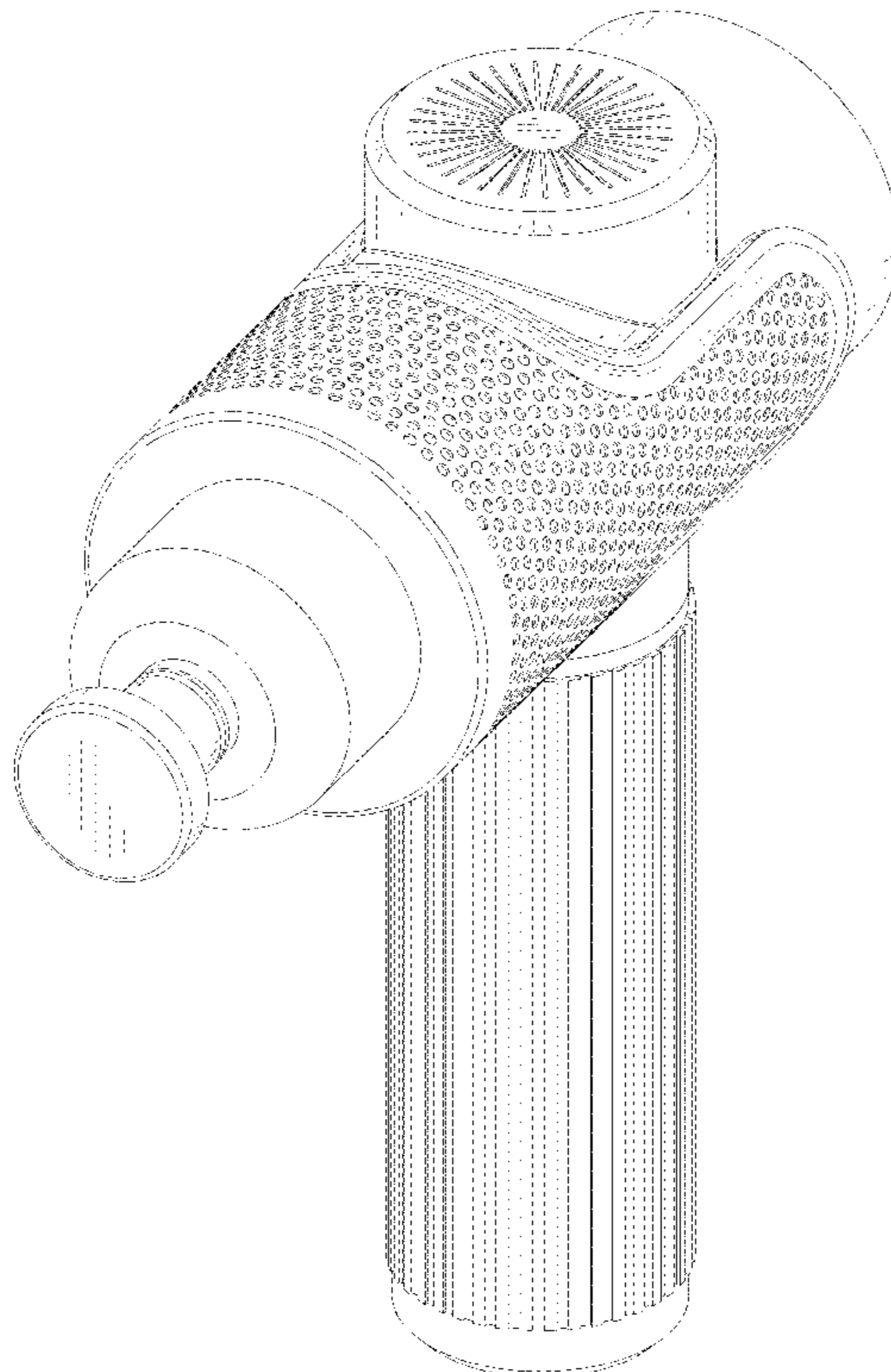
(57) **CLAIM**

The ornamental design for a muscle massage gun, as shown and described.

DESCRIPTION

FIG. 1 is a perspective view of a muscle massage gun showing my/our new design;
FIG. 2 is an alternative perspective view thereof;
FIG. 3 is a front view thereof;
FIG. 4 is a back view thereof;
FIG. 5 is a left side view thereof;
FIG. 6 is a right side view thereof;
FIG. 7 is a top view thereof; and,
FIG. 8 is a bottom view thereof.

1 Claim, 8 Drawing Sheets



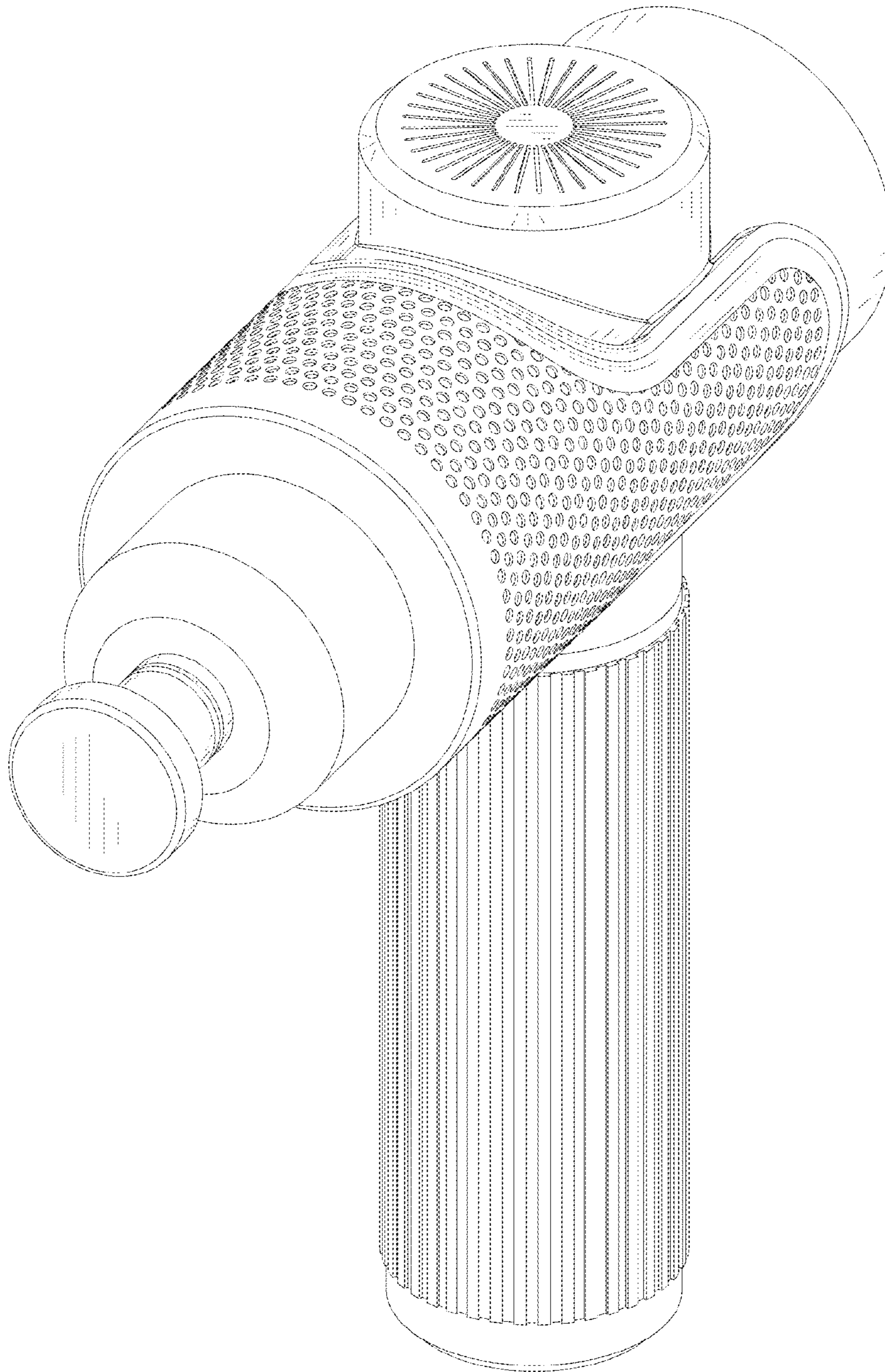


FIG. 1

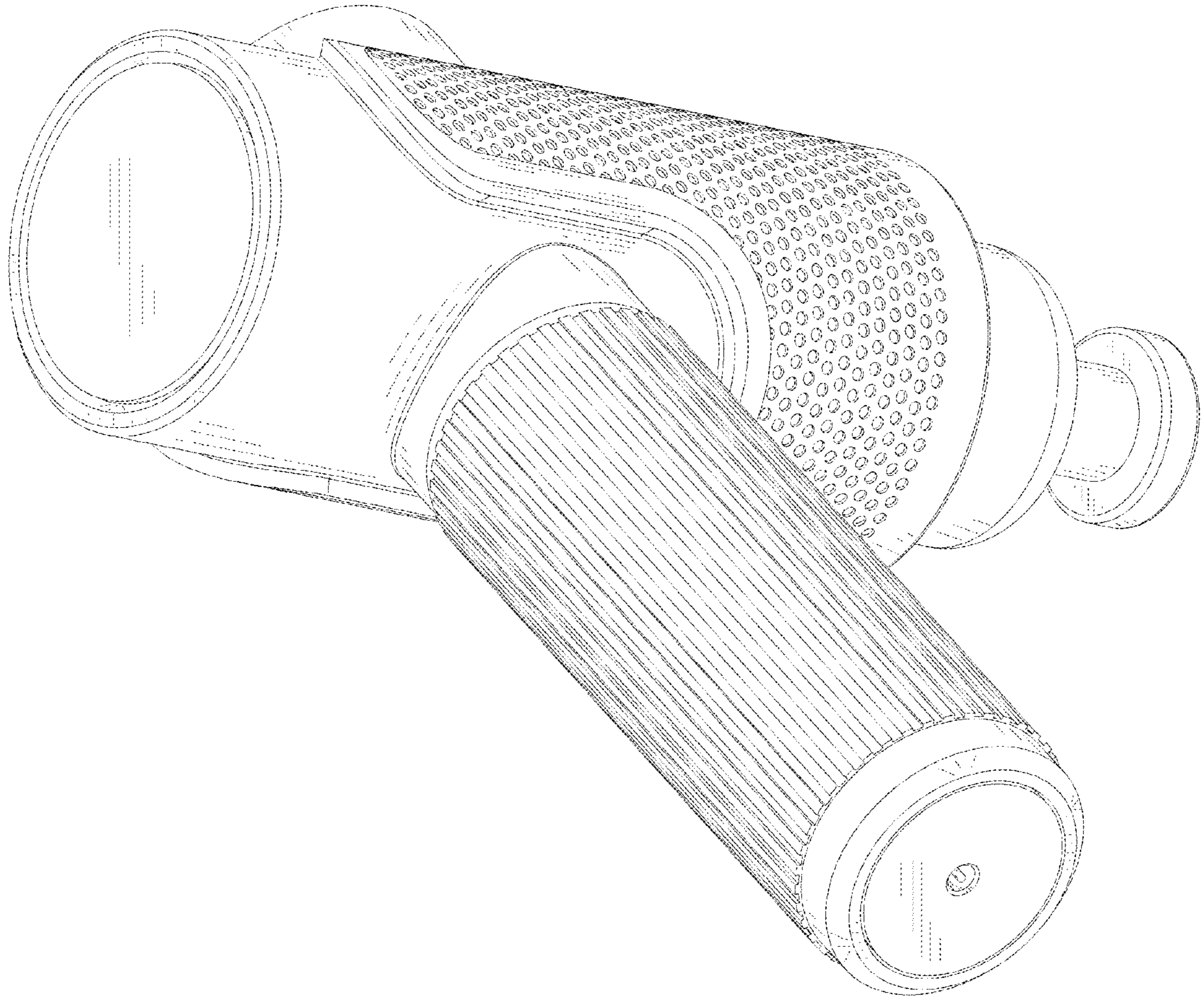


FIG.2

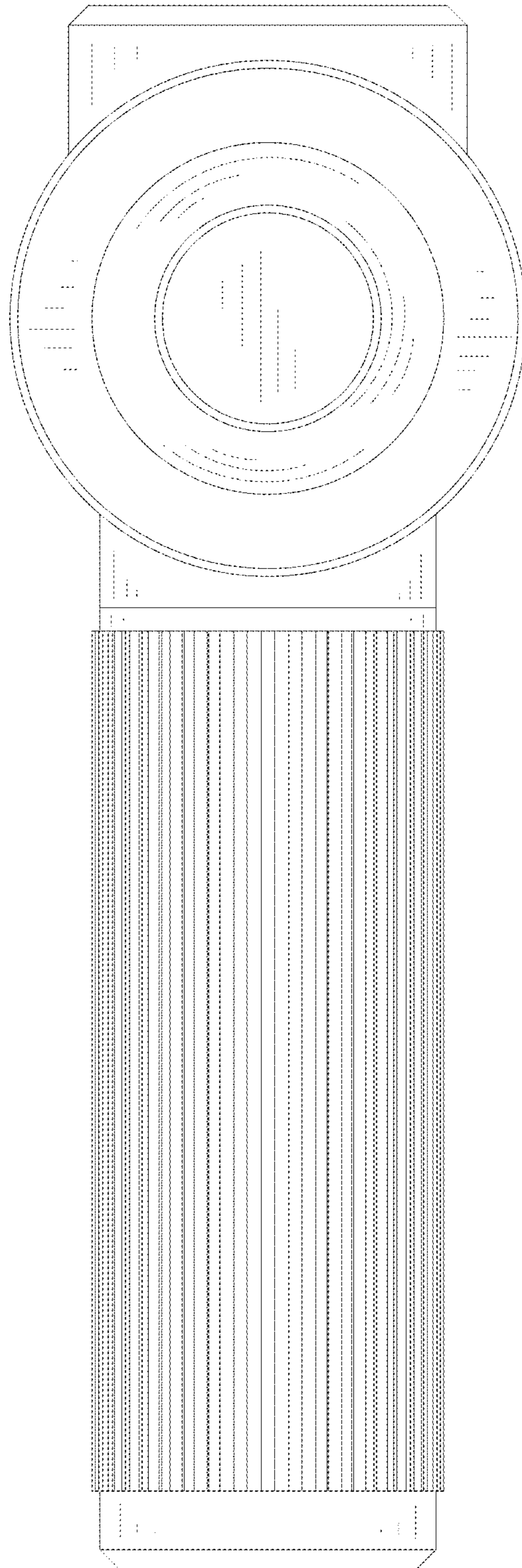


FIG. 3

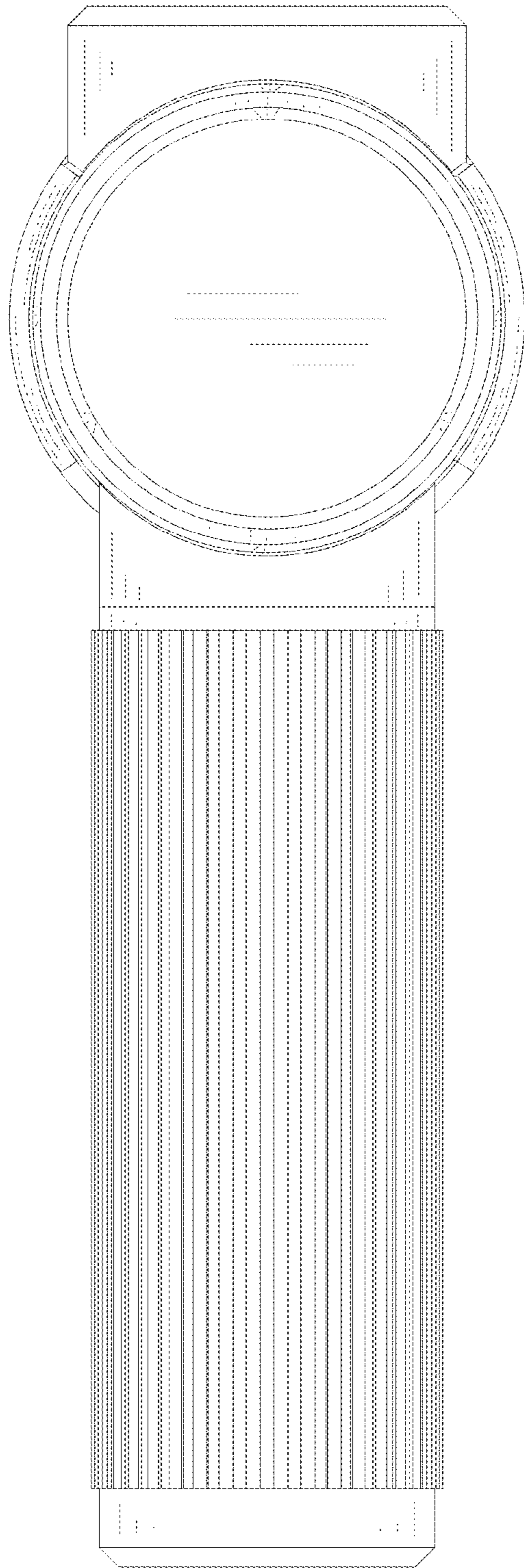


FIG. 4

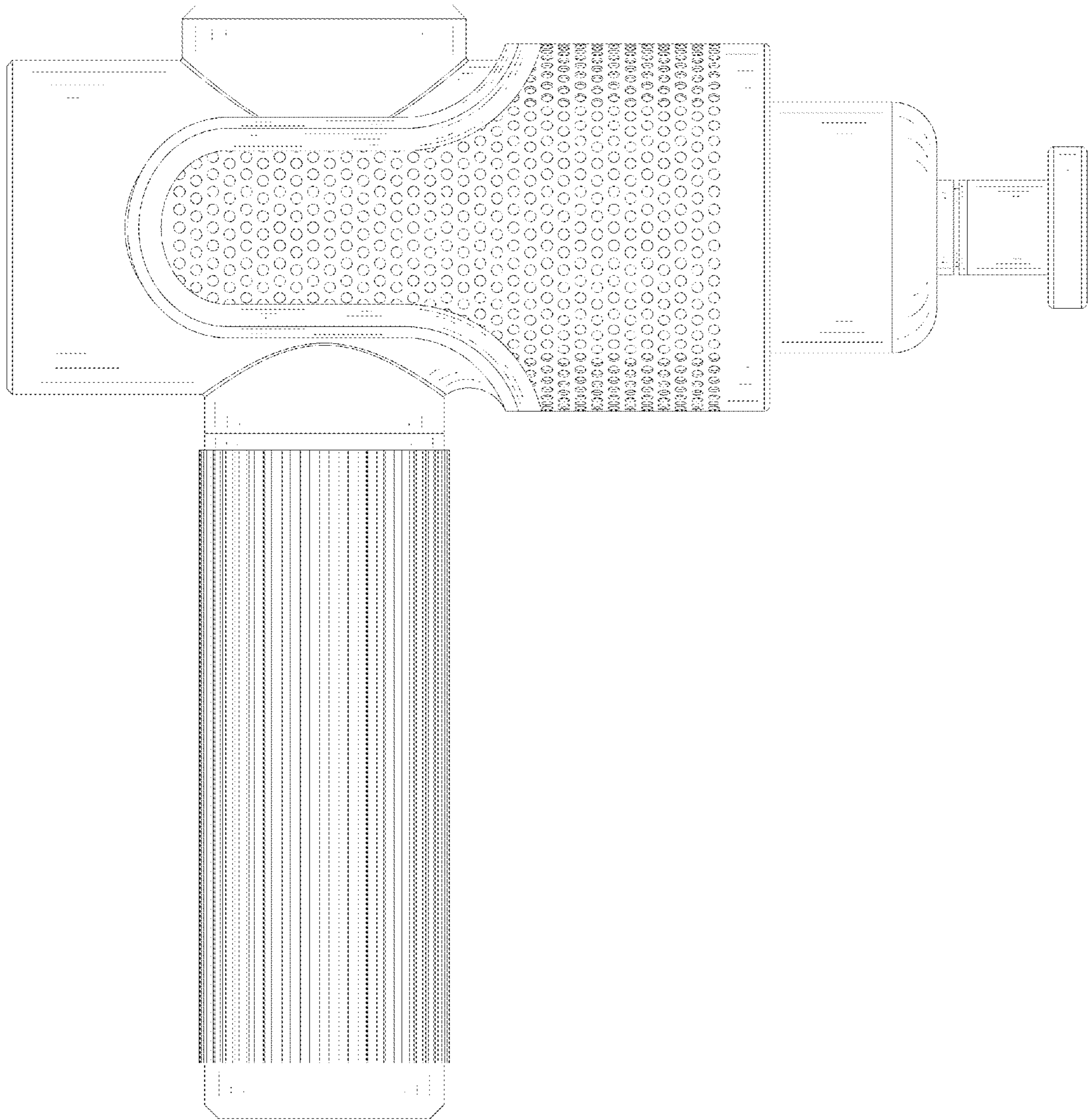


FIG. 5

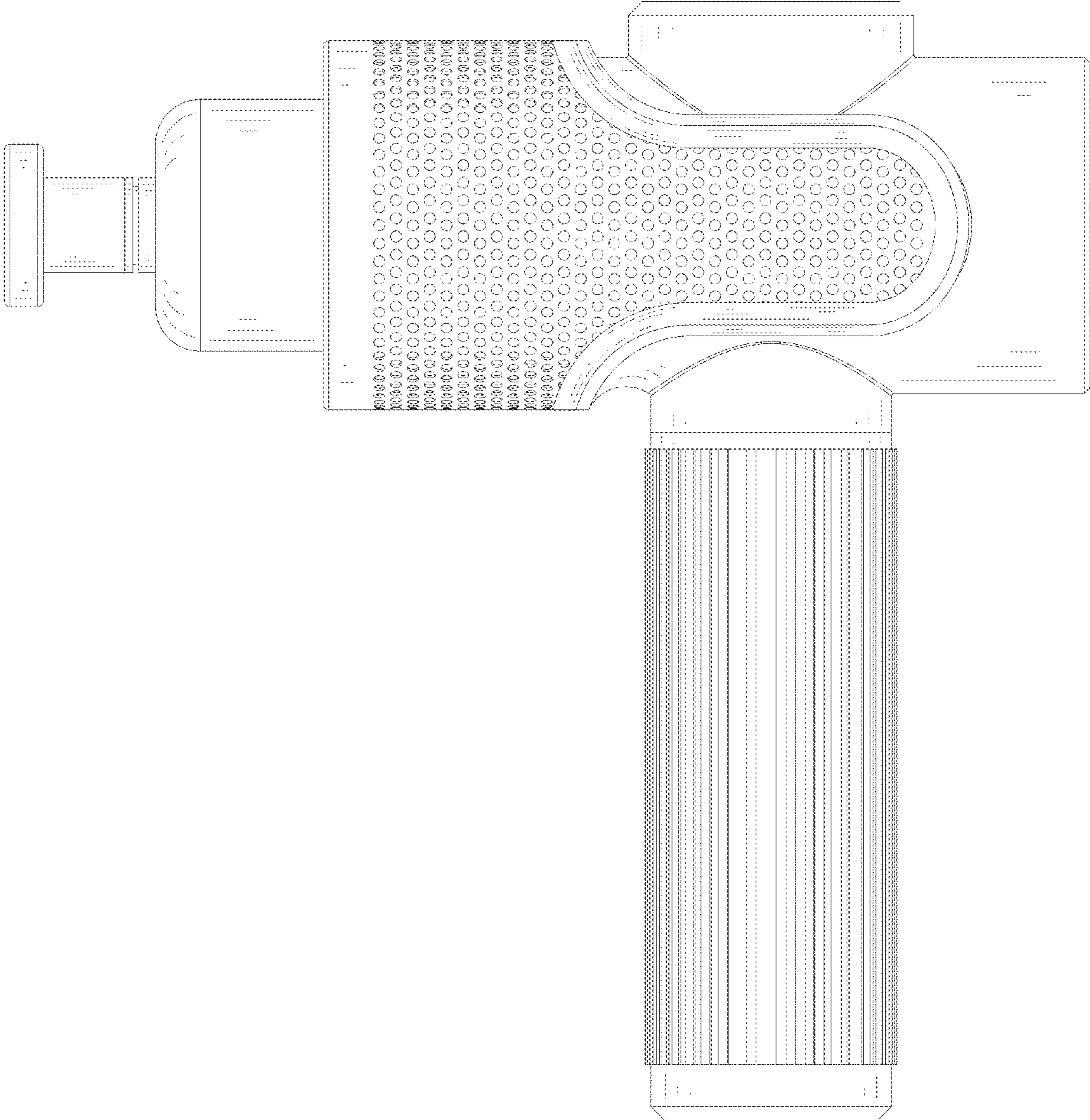


FIG. 6

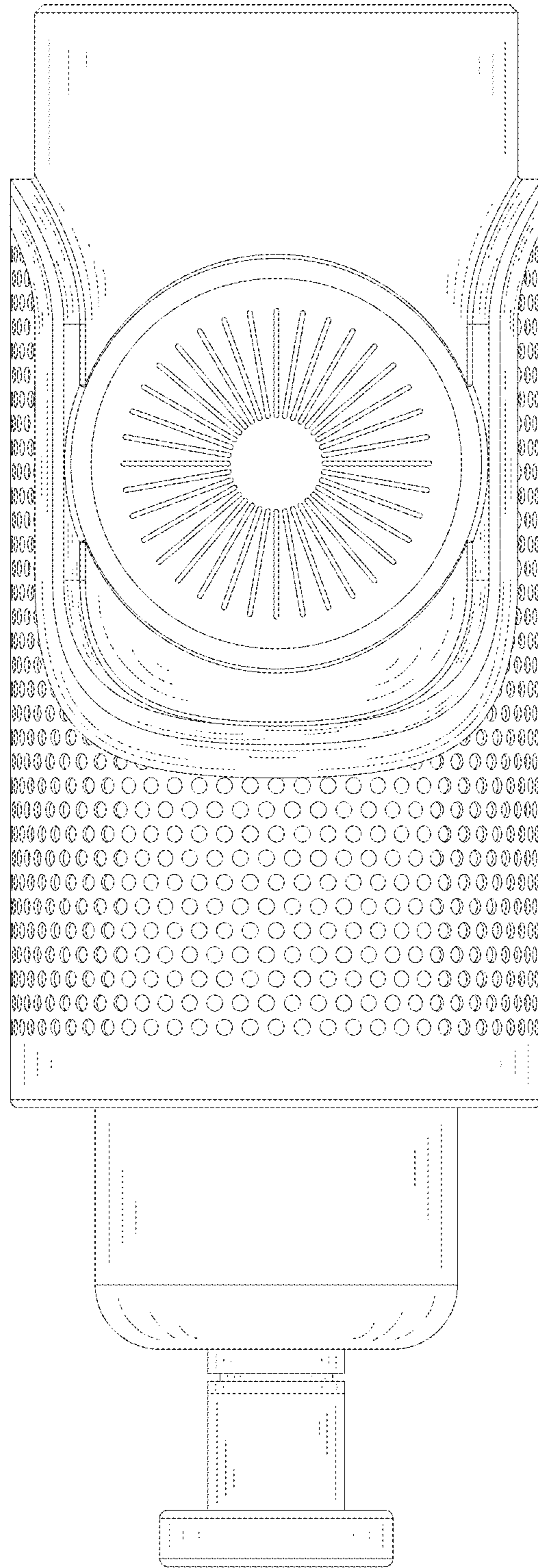


FIG. 7

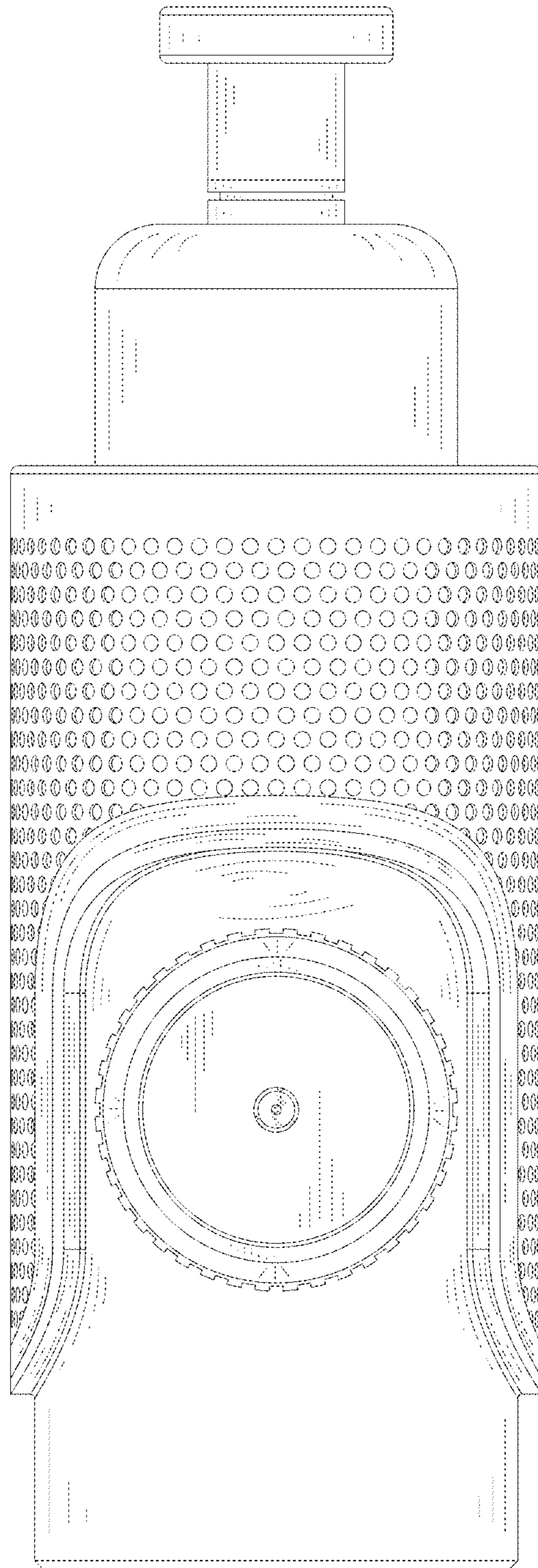


FIG. 8