



US00D962461S

(12) **United States Design Patent** (10) **Patent No.:** **US D962,461 S**  
**Zhang** (45) **Date of Patent:** **\*\* Aug. 30, 2022**

(54) **MESSAGE APPARATUS**  
(71) Applicant: **Sichuan Qianli-beoka Medical Technology Inc., Sichuan (CN)**  
(72) Inventor: **Wen Zhang, Chengdu (CN)**  
(73) Assignee: **Sichuan Qianli—beoka Medical Technology Inc.**  
(\*\*) Term: **15 Years**  
(21) Appl. No.: **29/743,131**  
(22) Filed: **Jul. 20, 2020**  
(30) **Foreign Application Priority Data**  
Mar. 19, 2020 (CN) ..... 202030094827.X  
(51) **LOC (13) Cl.** ..... **28-03**  
(52) **U.S. Cl.**  
USPC ..... **D24/215**  
(58) **Field of Classification Search**  
USPC ..... D24/200, 211, 212, 213, 214, 215;  
D8/14.1; D28/13, 44.1  
CPC ..... A61H 2201/1635; A61H 23/006; A61H  
1/00; A61H 15/02; A61H 1/008  
See application file for complete search history.

(56) **References Cited**  
U.S. PATENT DOCUMENTS  
D616,558 S \* 5/2010 Tsai ..... D24/200  
D808,076 S \* 1/2018 Gabriele ..... D28/44.1  
D844,896 S \* 4/2019 Levi ..... D28/44.1  
D855,822 S \* 8/2019 Marton ..... D24/215  
D863,571 S \* 10/2019 Yang ..... D24/200  
D873,432 S \* 1/2020 Duan ..... D24/214  
D874,015 S \* 1/2020 Marton ..... D24/215  
D875,961 S \* 2/2020 Li ..... D24/211  
D884,205 S \* 5/2020 Zhuang ..... D24/215  
D884,207 S \* 5/2020 Ma ..... D24/215

D886,317 S \* 6/2020 Marton ..... D24/215  
D893,738 S \* 8/2020 Zhuang ..... D24/215  
D895,132 S \* 9/2020 Hu ..... D24/215  
D895,133 S \* 9/2020 Xu ..... D24/215  
D895,135 S \* 9/2020 Xu ..... D24/215  
D895,829 S \* 9/2020 Hu ..... D24/215  
D895,831 S \* 9/2020 Chen ..... D24/215  
D898,209 S \* 10/2020 Xu ..... D24/214  
D898,933 S \* 10/2020 Xu ..... D24/215  
D899,620 S \* 10/2020 Huang ..... D24/215  
D905,863 S \* 12/2020 Lin ..... D24/215  
D906,533 S \* 12/2020 Xu ..... D24/215  
D907,229 S \* 1/2021 Zhang ..... D24/215  
D907,230 S \* 1/2021 Zhang ..... D24/215  
D908,908 S \* 1/2021 Xu ..... D24/215  
D910,194 S \* 2/2021 Radtke ..... D24/215  
D911,535 S \* 2/2021 Yu ..... D24/200  
D912,267 S \* 3/2021 Tang ..... D24/215  
D913,516 S \* 3/2021 Zhang ..... D24/215

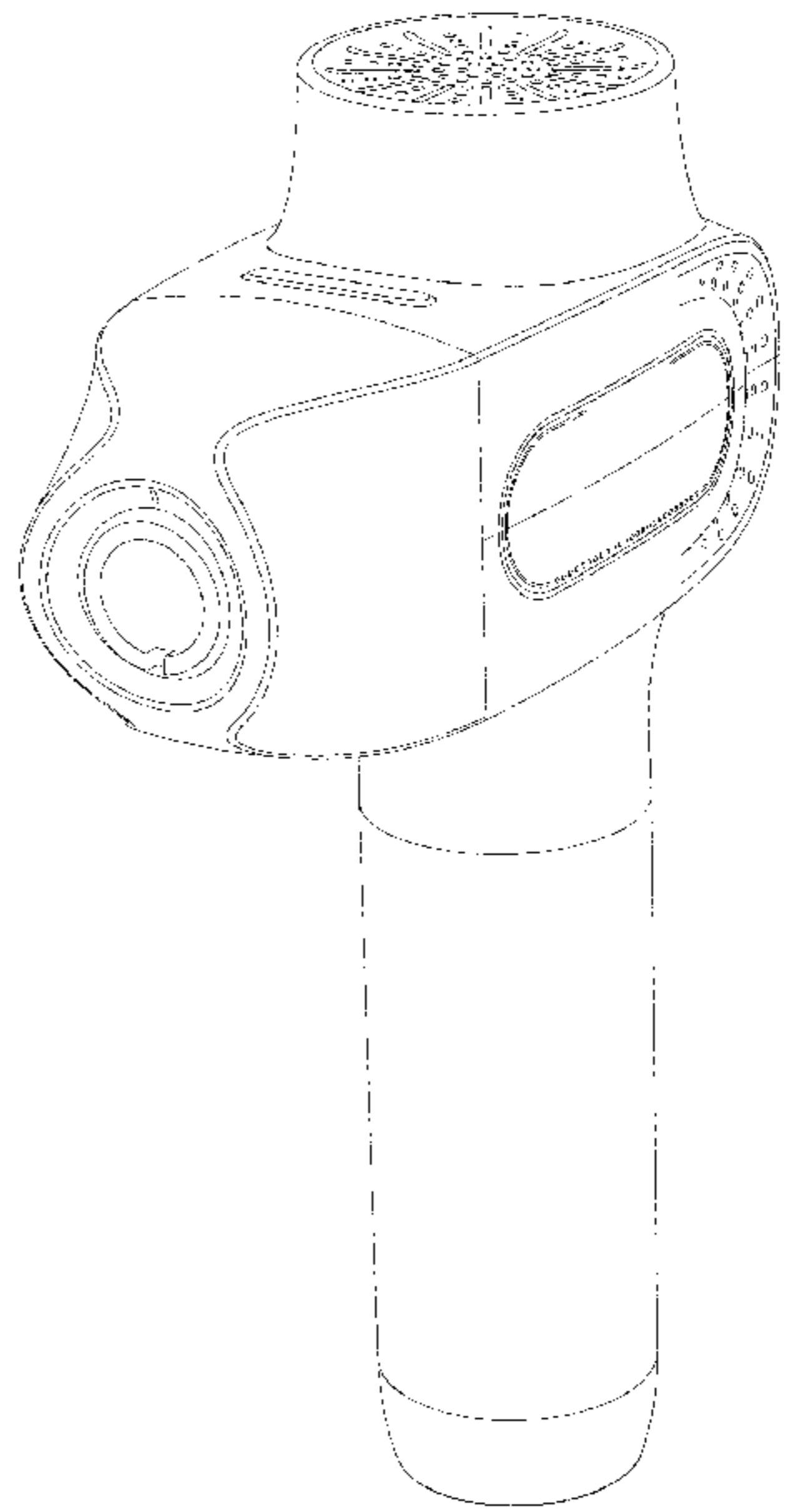
(Continued)

*Primary Examiner* — Michael A Maharajh  
(74) *Attorney, Agent, or Firm* — Timothy T. Wang; Ni, Wang & Massand, PLLC

(57) **CLAIM**  
The ornamental design for a massage apparatus, as shown and described.

**DESCRIPTION**  
FIG. 1 is a front perspective view of a massage apparatus showing my new design;  
FIG. 2 is a Right-side elevational view thereof;  
FIG. 3 is a left-side elevational view thereof;  
FIG. 4 is a back elevational view thereof;  
FIG. 5 is a front elevational view thereof;  
FIG. 6 is a top plan view thereof; and,  
FIG. 7 is a bottom plan view thereof.  
The broken lines shown in the figures are for the purpose of illustrating portions of the massage apparatus, which form no part of the claimed design.

**1 Claim, 7 Drawing Sheets**



(56)

## References Cited

## U.S. PATENT DOCUMENTS

D913,517	S	*	3/2021	Yu	.....	D24/215
D914,966	S	*	3/2021	Kim	.....	D28/13
D916,307	S	*	4/2021	Xiong	.....	D24/215
D917,060	S	*	4/2021	Hu	.....	D24/215
D918,408	S	*	5/2021	Huang	.....	D24/215
D921,916	S	*	6/2021	Xu	.....	D24/215
D921,917	S	*	6/2021	Xu	.....	D24/215
D923,187	S	*	6/2021	Ma	.....	D24/211
D923,188	S	*	6/2021	Xu	.....	D24/211
D923,190	S	*	6/2021	Xu	.....	D24/214
D923,194	S	*	6/2021	Xu	.....	D24/215
D924,422	S	*	7/2021	Huang	.....	D24/215
D924,425	S	*	7/2021	Grbic	.....	D24/215
D925,751	S	*	7/2021	Wu	.....	D24/211
D925,755	S	*	7/2021	Zheng	.....	D24/215
D925,756	S	*	7/2021	Xu	.....	D24/215
D925,758	S	*	7/2021	Xu	.....	D24/215
D926,333	S	*	7/2021	Zhang	.....	D24/215
D926,335	S	*	7/2021	Zhang	.....	D24/215
D926,338	S	*	7/2021	Xu	.....	D24/215
D927,714	S	*	8/2021	Li	.....	D24/215
D927,715	S	*	8/2021	Li	.....	D24/215
D928,338	S	*	8/2021	Hu	.....	D24/215
D929,601	S	*	8/2021	Lin	.....	D24/215
D931,481	S	*	9/2021	Li	.....	D24/211
D931,487	S	*	9/2021	Li	.....	D24/215
D933,250	S	*	10/2021	Shen	.....	D24/211
D933,844	S	*	10/2021	Chen	.....	D24/214
D933,845	S	*	10/2021	Zheng	.....	D24/215
D934,440	S	*	10/2021	Zheng	.....	D24/214
D934,441	S	*	10/2021	Zhang	.....	D24/215
2016/0338899	A1	*	11/2016	Howson	.....	A61H 7/001
2019/0254921	A1	*	8/2019	Marton	.....	A61H 23/006
2020/0390644	A1	*	12/2020	Yang	.....	A61H 15/00

\* cited by examiner

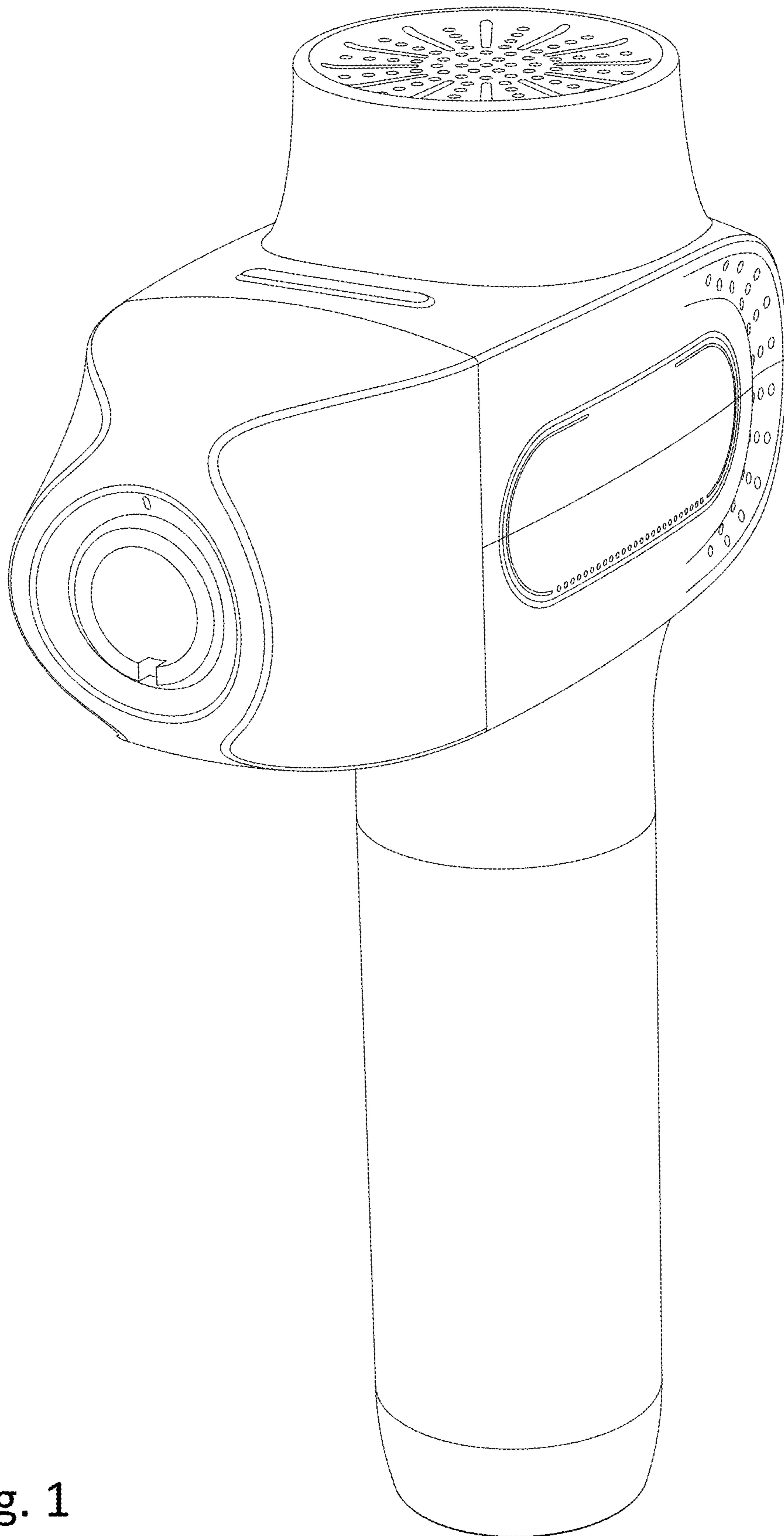


Fig. 1

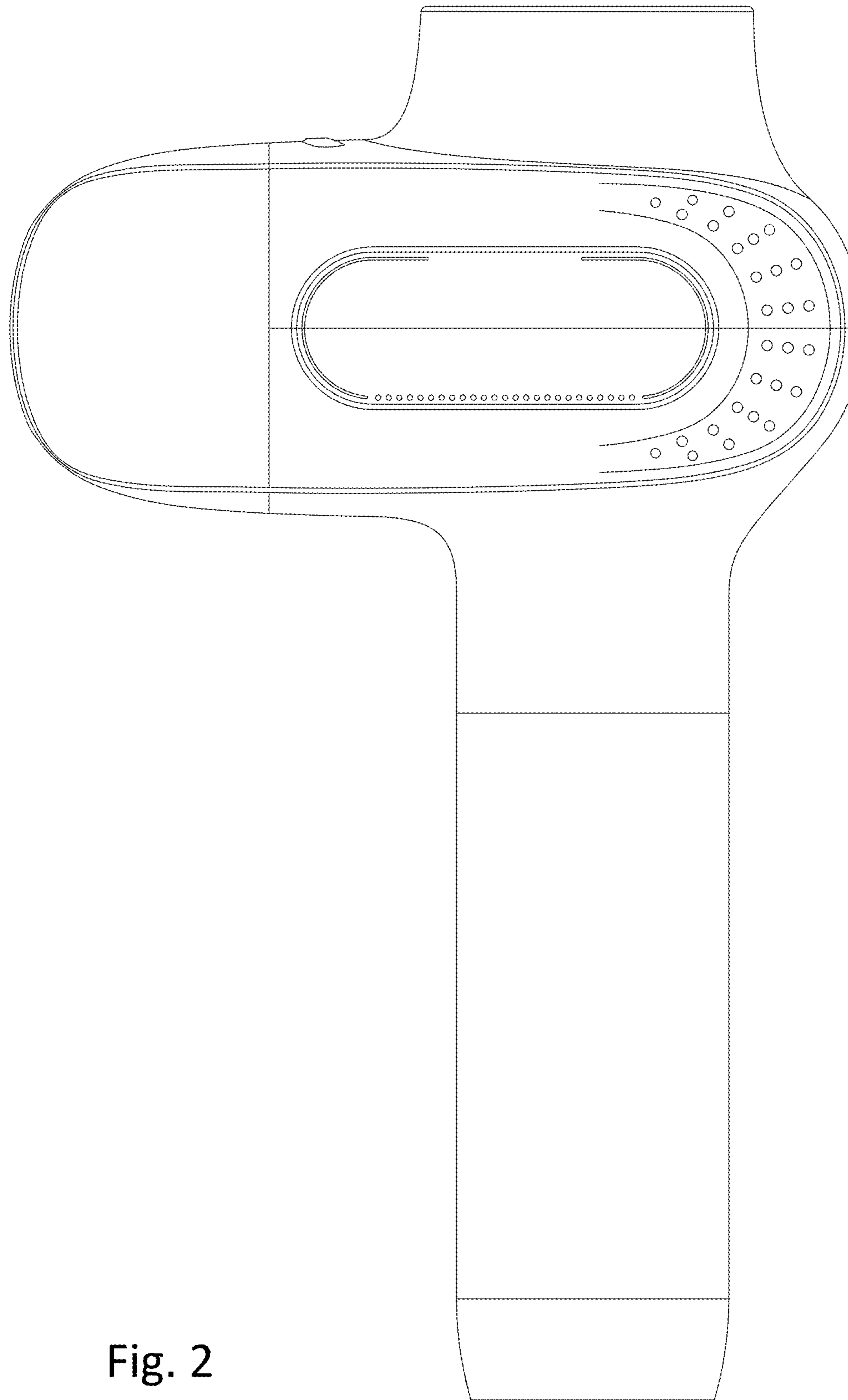


Fig. 2

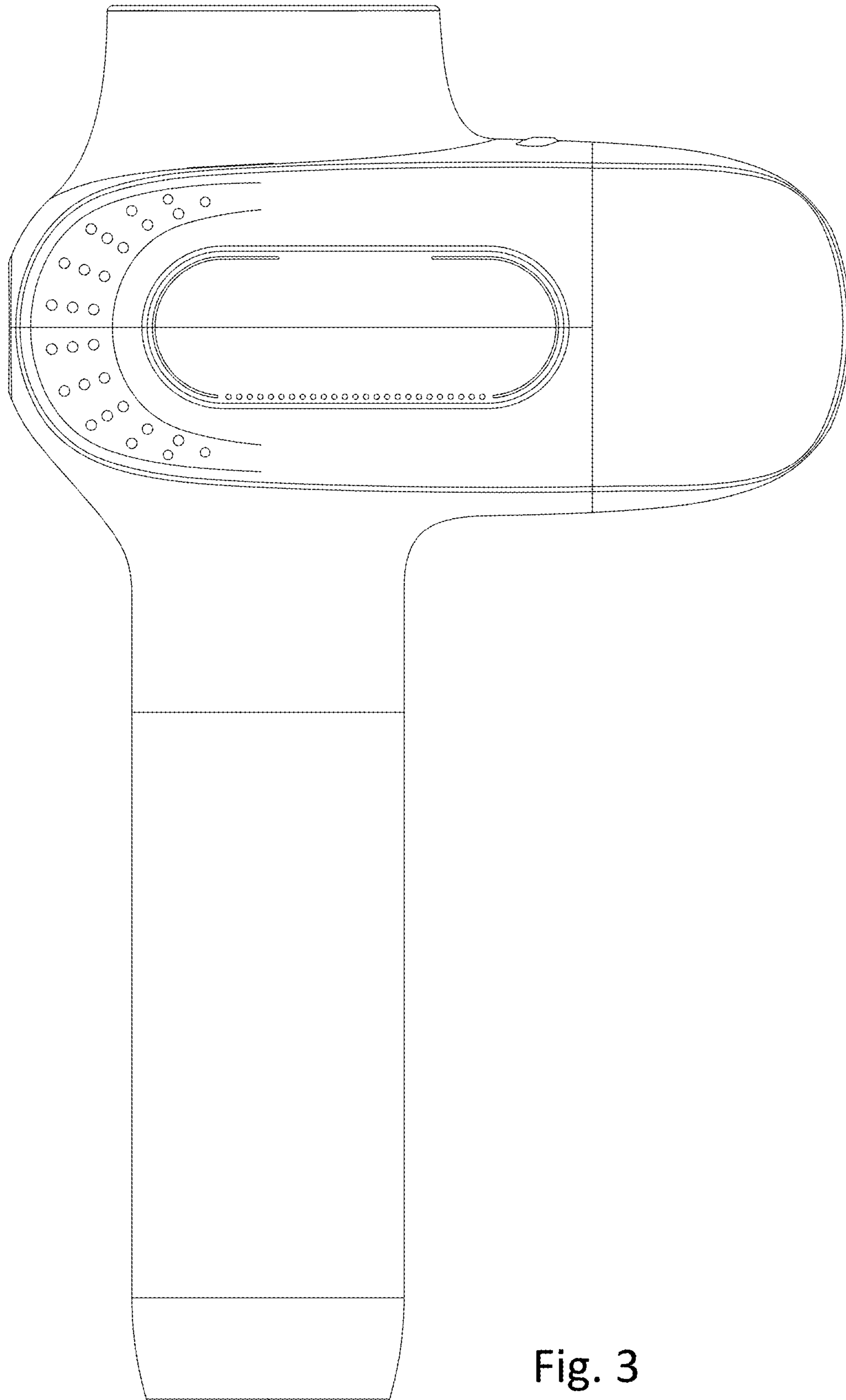


Fig. 3

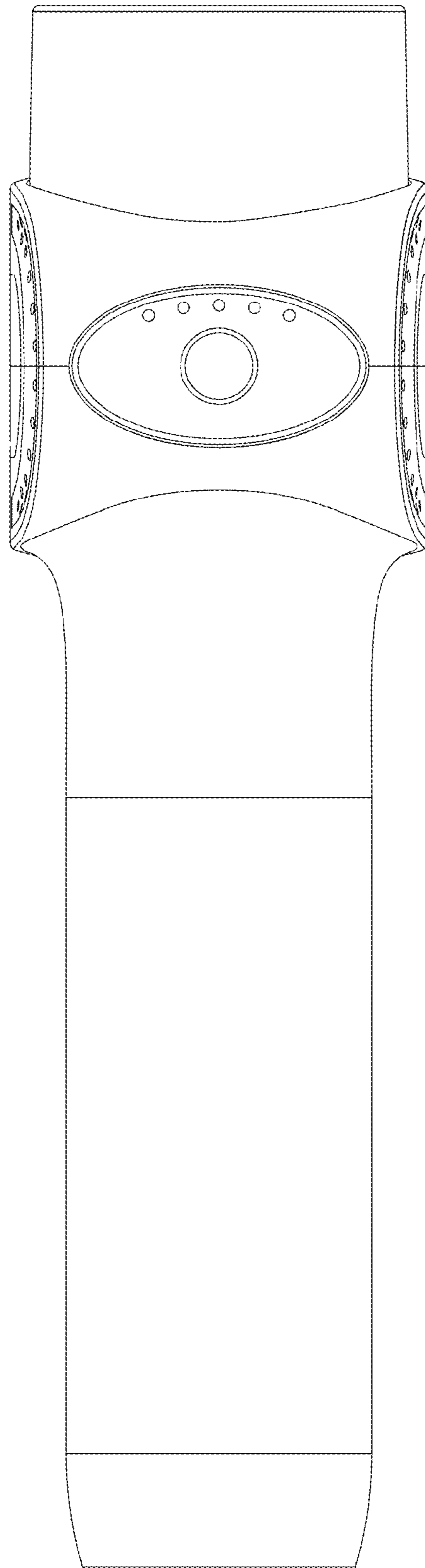


Fig. 4

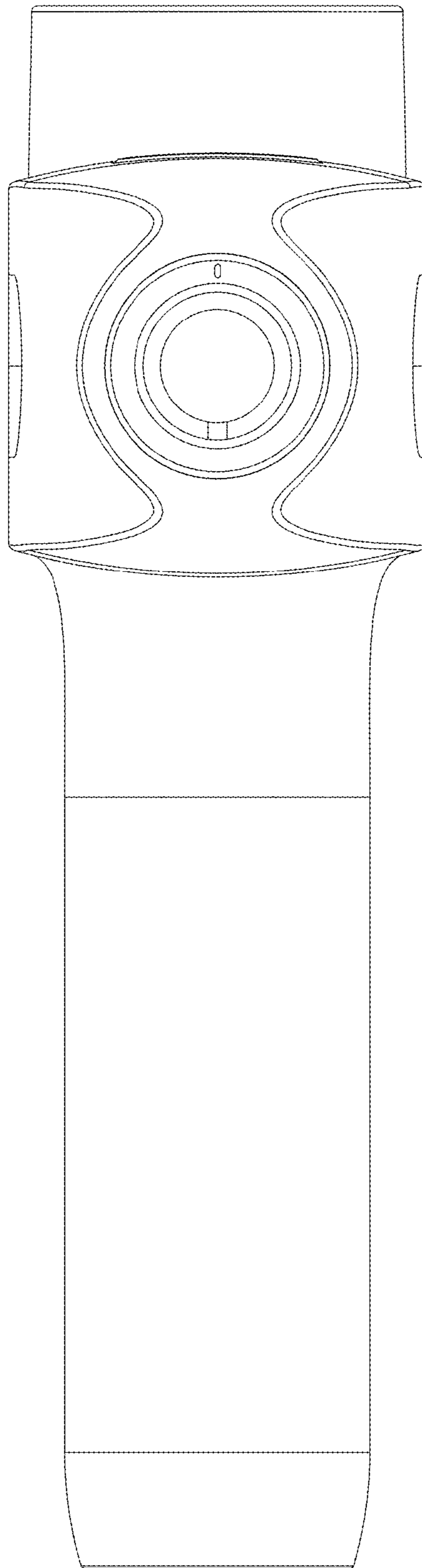


Fig. 5

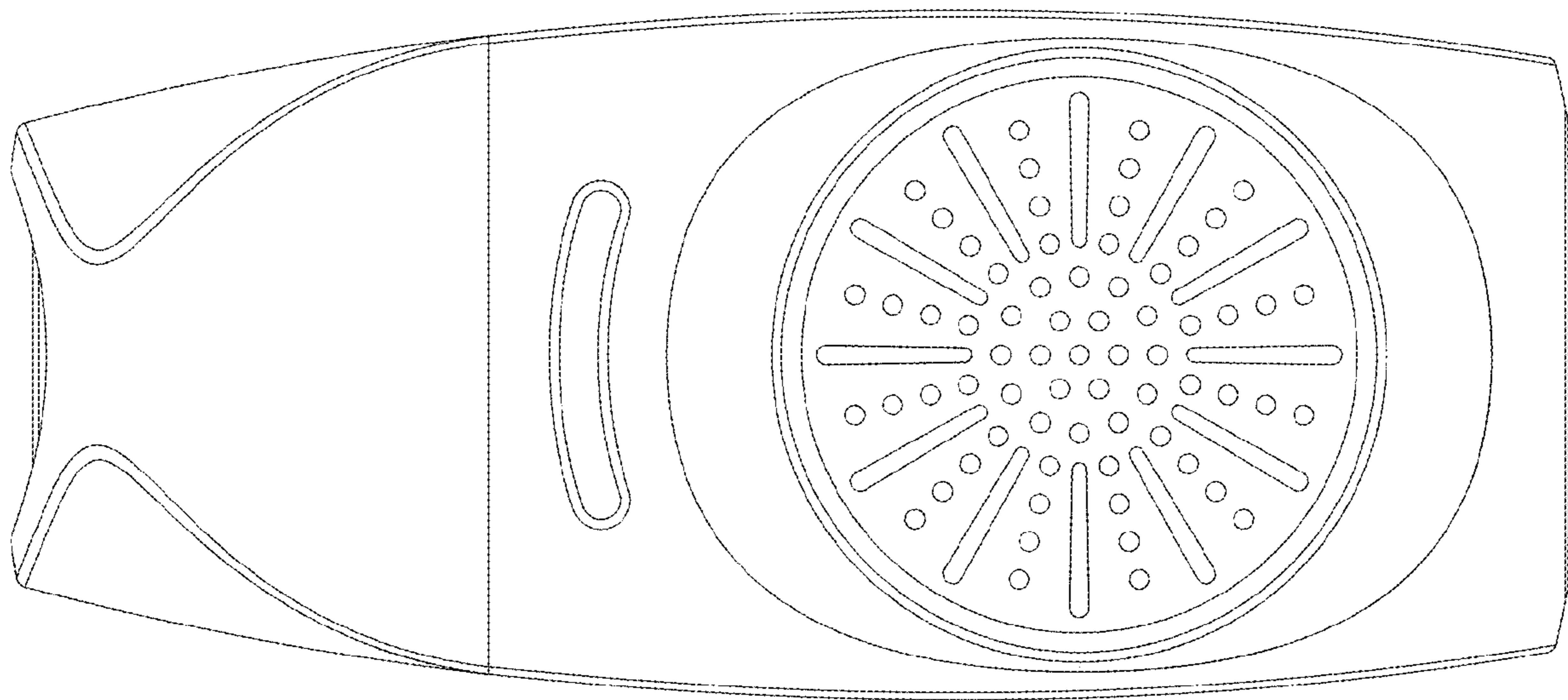


Fig. 6



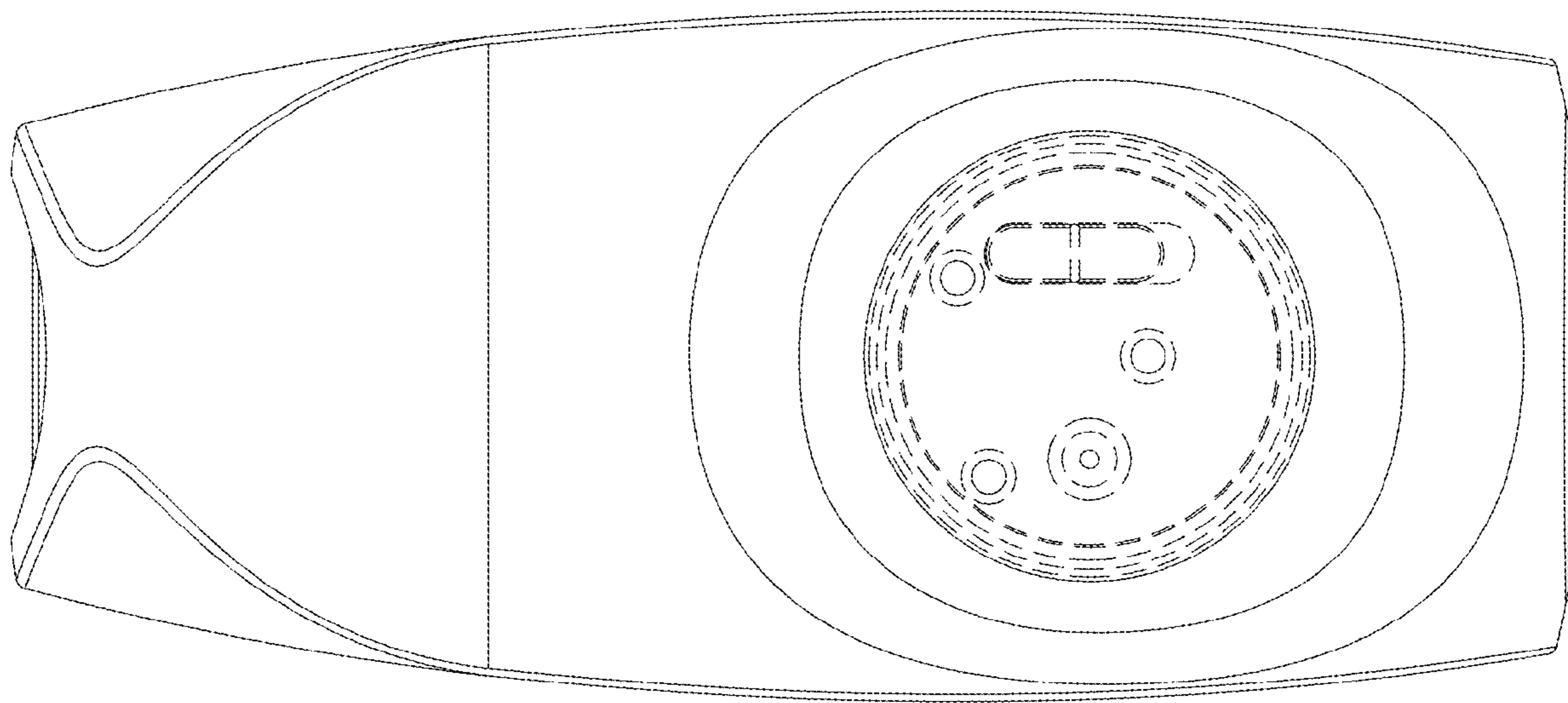


Fig. 7