

US00D962460S

(12) **United States Design Patent**  
**Lien**

(10) **Patent No.:** **US D962,460 S**

(45) **Date of Patent:** **\*\* \*Aug. 30, 2022**

(54) **FOAM ROLLER**

(71) Applicant: **USA Sports, Inc.**, Houston, TX (US)

(72) Inventor: **Louis Lien**, Bellaire, TX (US)

(73) Assignee: **USA SPORTS, INC.**, Houston, TX (US)

(\*) Notice: This patent is subject to a terminal disclaimer.

(\*\*) Term: **15 Years**

(21) Appl. No.: **29/681,270**

(22) Filed: **Feb. 22, 2019**

(51) **LOC (13) Cl.** ..... **28-03**

(52) **U.S. Cl.**  
USPC ..... **D24/211**

(58) **Field of Classification Search**  
USPC ..... 601/99, 118, 120, 121, 124, 125, 130, 601/131, 134, 135, 136, 137; D24/200, D24/211, 212, 213, 214, 215; 600/38, 600/39, 40, 41; D30/160; D8/303; D12/114, 178; D21/662, 803; 482/79, 482/132  
CPC ..... A61H 15/00; A61H 2015/0014; A61H 2203/0425; A61H 7/001  
See application file for complete search history.

(56) **References Cited**

**U.S. PATENT DOCUMENTS**

2,546,095	A *	3/1951	Gustlin	.....	A61H 15/02
					601/121
4,378,007	A *	3/1983	Kachadourian	.....	A61H 15/00
					482/79
D643,540	S *	8/2011	Jian	.....	D24/211
D660,450	S *	5/2012	Johnson	.....	D24/215
D670,817	S *	11/2012	Narevsky	.....	D24/211
D674,906	S *	1/2013	Matsuura	.....	D24/215

D674,907	S *	1/2013	Matsuura	.....	D24/215
D674,908	S *	1/2013	Matsuura	.....	D24/215
D674,909	S *	1/2013	Matsuura	.....	D24/215
D689,155	S *	9/2013	Jahns	.....	D21/692
D693,934	S *	11/2013	Lin	.....	D24/215
D696,923	S *	1/2014	Ichikawa	.....	D8/303
D713,050	S *	9/2014	Kao	.....	A61H 15/00
					D24/211
D734,480	S *	7/2015	Jones	.....	D24/211
D736,398	S *	8/2015	Kwon	.....	D24/211
D737,456	S *	8/2015	McDonough	.....	A61H 15/0092
					D24/211
D749,233	S *	2/2016	Phillips	.....	A61H 15/0092
					D24/211

(Continued)

*Primary Examiner* — Michael A Maharajh

(74) *Attorney, Agent, or Firm* — Joseph M. Jong

(57) **CLAIM**

The ornamental design for a foam roller, as shown and described.

**DESCRIPTION**

FIG. 1 is a front elevation view of a foam roller showing my new design. The rear elevation view, bottom plan view, and top plan view are identical to the front elevation view.

FIG. 2 is a right side elevation view thereof. The left side elevation view is identical to the right side elevation view.

FIG. 3 is a front elevation view thereof, with an indication of a cross section line H-H.

FIG. 4 shows a cross sectional view along line H-H in FIG. 3.

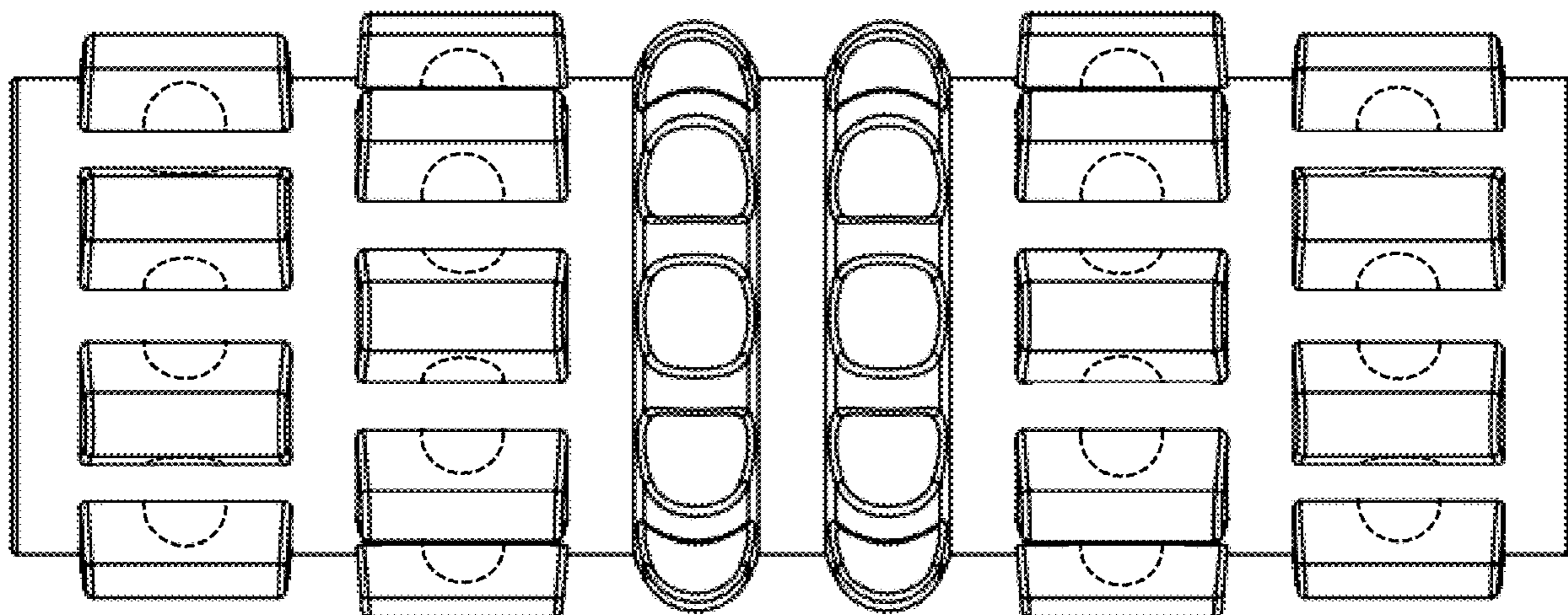
FIG. 5 is a front elevation view thereof, with an indication of a cross section line G-G.

FIG. 6 shows a cross sectional view along line G-G in FIG. 5; and,

FIG. 7 is a perspective view thereof.

The broken lines shown in the figures are for the purposes of illustrating portions of the foam roller which form no part of the claimed design.

**1 Claim, 4 Drawing Sheets**



(56)

References Cited

U.S. PATENT DOCUMENTS

D755,304 S \* 5/2016 Ackerman ..... D21/662  
 D764,066 S \* 8/2016 Somjee ..... D24/211  
 D785,103 S \* 4/2017 Townsend ..... D21/662  
 D788,313 S \* 5/2017 Lawrie ..... D24/211  
 9,668,933 B1 \* 6/2017 Johnson ..... A61H 15/00  
 D800,329 S \* 10/2017 Cheng ..... D24/211  
 D805,649 S \* 12/2017 Mizelle ..... D24/211  
 D808,033 S \* 1/2018 Clithero ..... D24/211  
 D822,772 S \* 7/2018 Jorgenson ..... D21/662  
 D825,695 S \* 8/2018 Kim ..... D21/662  
 D829,920 S \* 10/2018 Carpinelli ..... D24/211  
 D833,026 S \* 11/2018 Khodabakhshian ..... D24/211  
 D833,027 S \* 11/2018 Viner ..... D24/211  
 D833,635 S \* 11/2018 Chen ..... D24/214  
 D837,996 S \* 1/2019 Sugimoto ..... D24/215  
 D843,001 S \* 3/2019 Davis ..... D24/211  
 D845,498 S \* 4/2019 Johnson ..... D24/211  
 10,307,325 B1 \* 6/2019 Johnson ..... A61H 15/0092  
 D863,579 S \* 10/2019 Wang ..... D24/211  
 D863,583 S \* 10/2019 Carpinello ..... D24/213  
 2012/0035029 A1 \* 2/2012 Dye ..... A61H 15/0092  
 482/132  
 2012/0172771 A1 \* 7/2012 Jian ..... A61H 15/0092  
 601/46

2013/0184620 A1 \* 7/2013 Cohen ..... A61H 15/0092  
 601/118  
 2014/0012168 A1 \* 1/2014 Carlson ..... A61H 15/0092  
 601/134  
 2014/0128786 A1 \* 5/2014 Ross ..... A61H 15/0092  
 601/118  
 2015/0080774 A1 \* 3/2015 Olaya ..... A61H 15/00  
 601/121  
 2015/0190304 A1 \* 7/2015 Lawrie ..... A61H 15/0092  
 601/118  
 2016/0235619 A1 \* 8/2016 Yeh ..... A61H 15/00  
 2016/0279009 A1 \* 9/2016 Somjee ..... A61H 15/00  
 2016/0310349 A1 \* 10/2016 Chen ..... A61H 15/00  
 2016/0310350 A1 \* 10/2016 Chen ..... A61H 15/00  
 2016/0331628 A1 \* 11/2016 Kuo ..... A61H 15/00  
 2017/0042756 A1 \* 2/2017 Nelson ..... A61H 15/00  
 2017/0202729 A1 \* 7/2017 Lin ..... A61H 15/0092  
 2017/0216133 A1 \* 8/2017 Yih ..... A61H 15/0092  
 2017/0252262 A1 \* 9/2017 Chang ..... A61H 15/00  
 2018/0021211 A1 \* 1/2018 Suokas ..... A61H 15/0092  
 601/121  
 2018/0133096 A1 \* 5/2018 Loos ..... A61H 15/00  
 2018/0256442 A1 \* 9/2018 Lee ..... A61H 15/0078  
 2018/0353370 A1 \* 12/2018 Liao ..... A61H 15/0092  
 2019/0060160 A1 \* 2/2019 Krichevsky ..... A61H 15/0092  
 2019/0125621 A1 \* 5/2019 Kyriacou ..... A61H 15/00  
 2019/0343713 A1 \* 11/2019 Boghosian ..... A61H 1/00  
 2019/0350799 A1 \* 11/2019 Matossian ..... A61H 1/00

\* cited by examiner

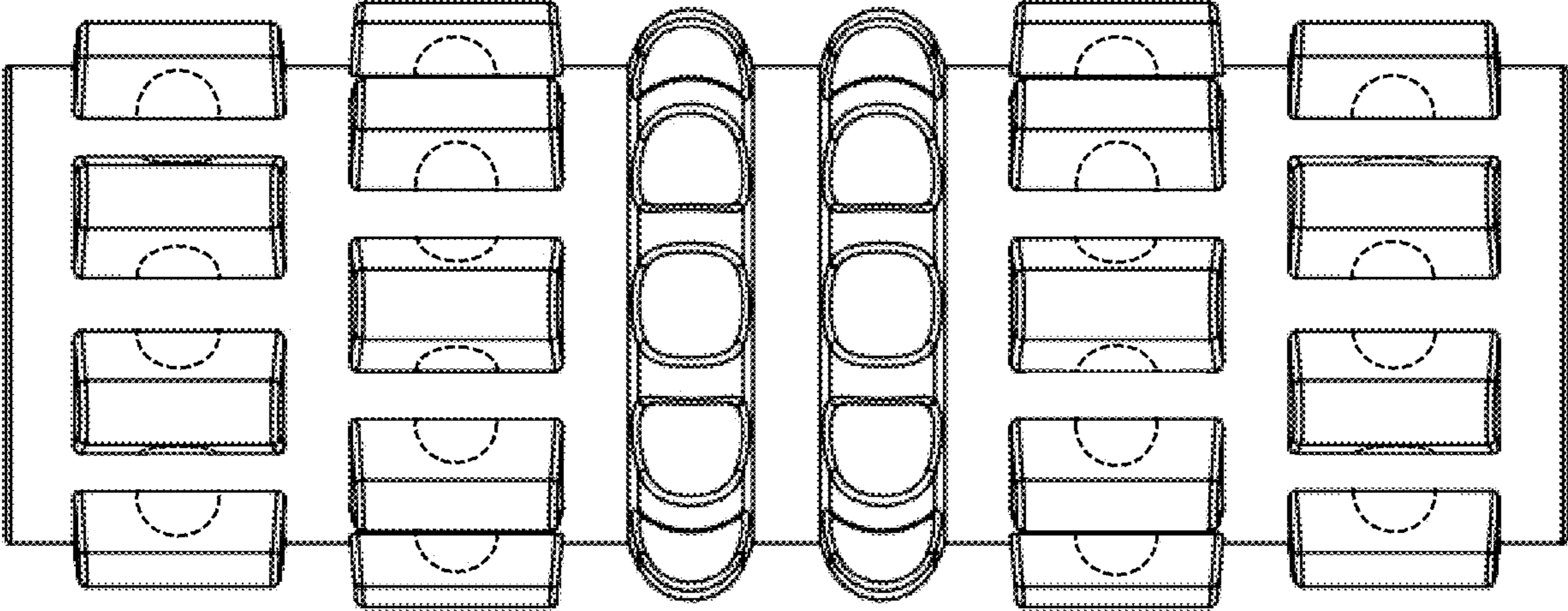


FIG. 1

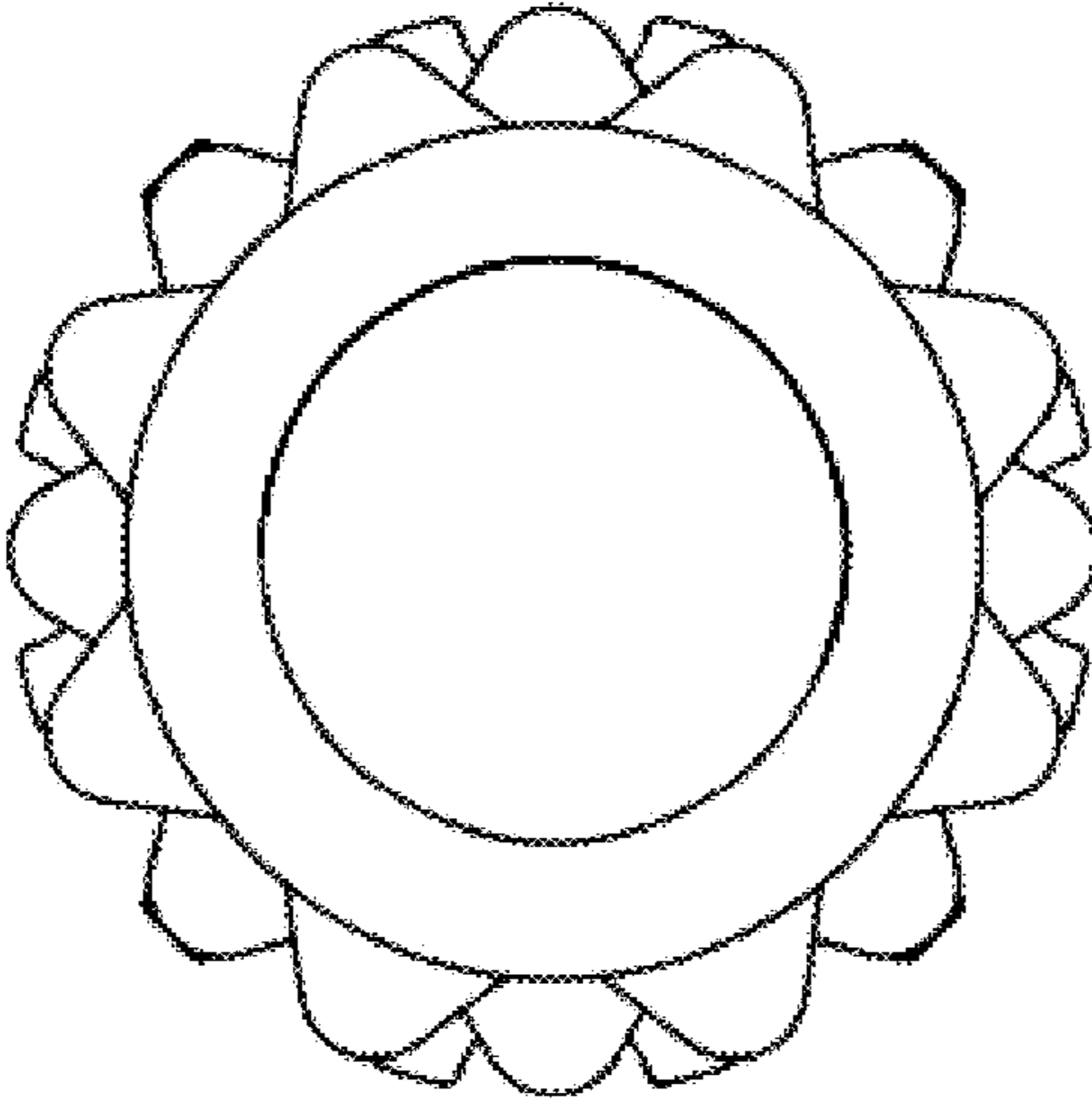


FIG. 2

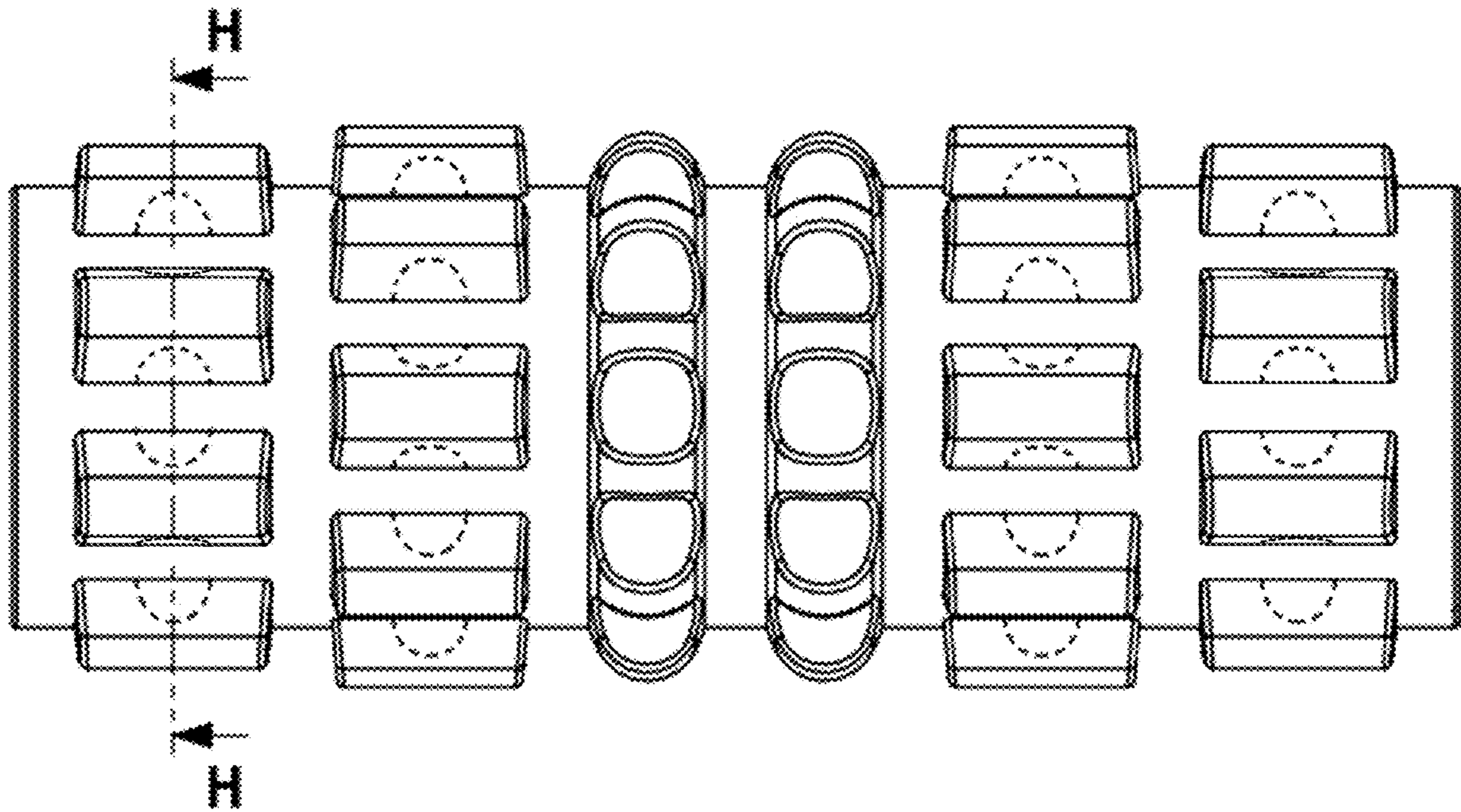


FIG. 3

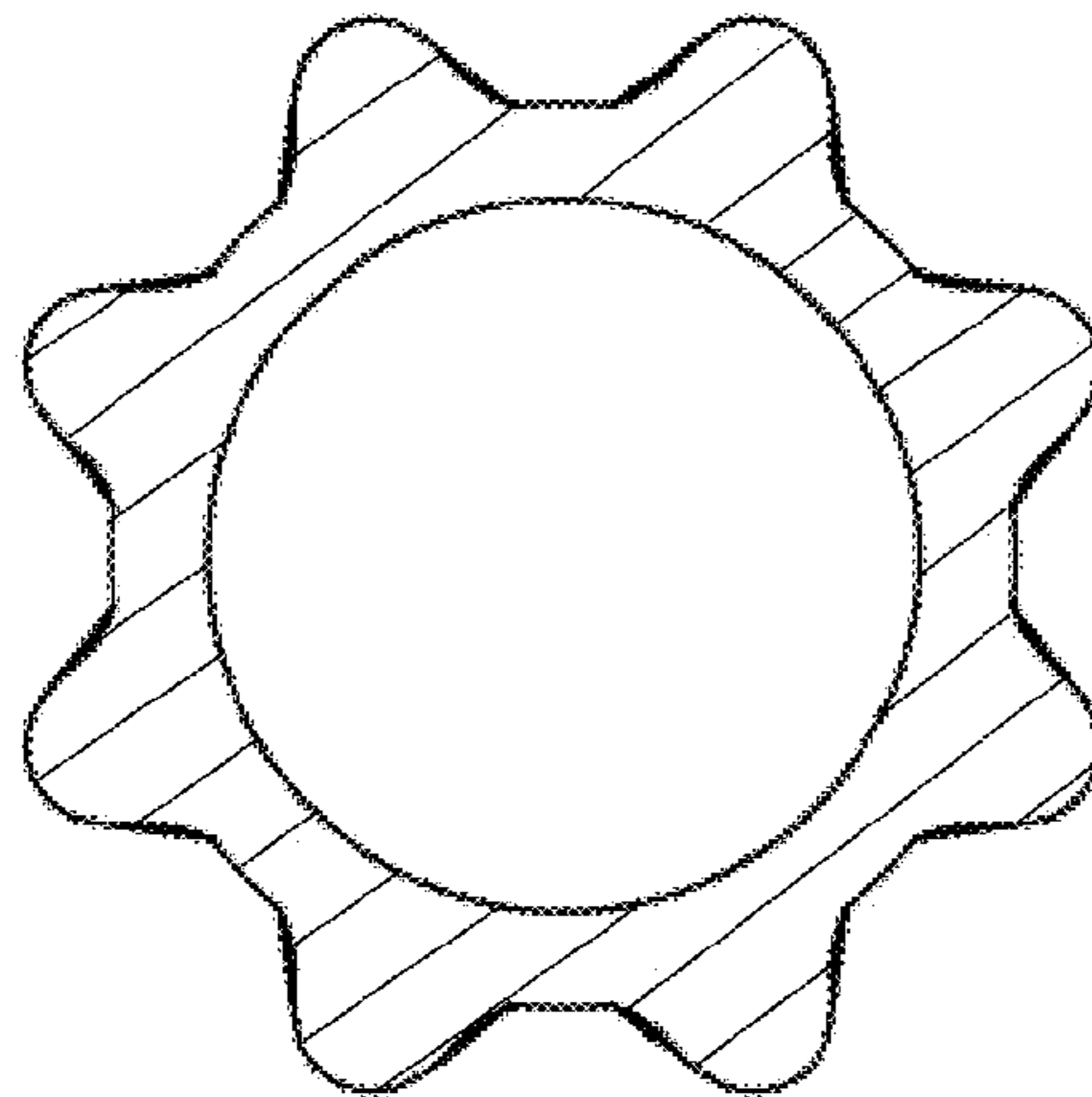


FIG. 4

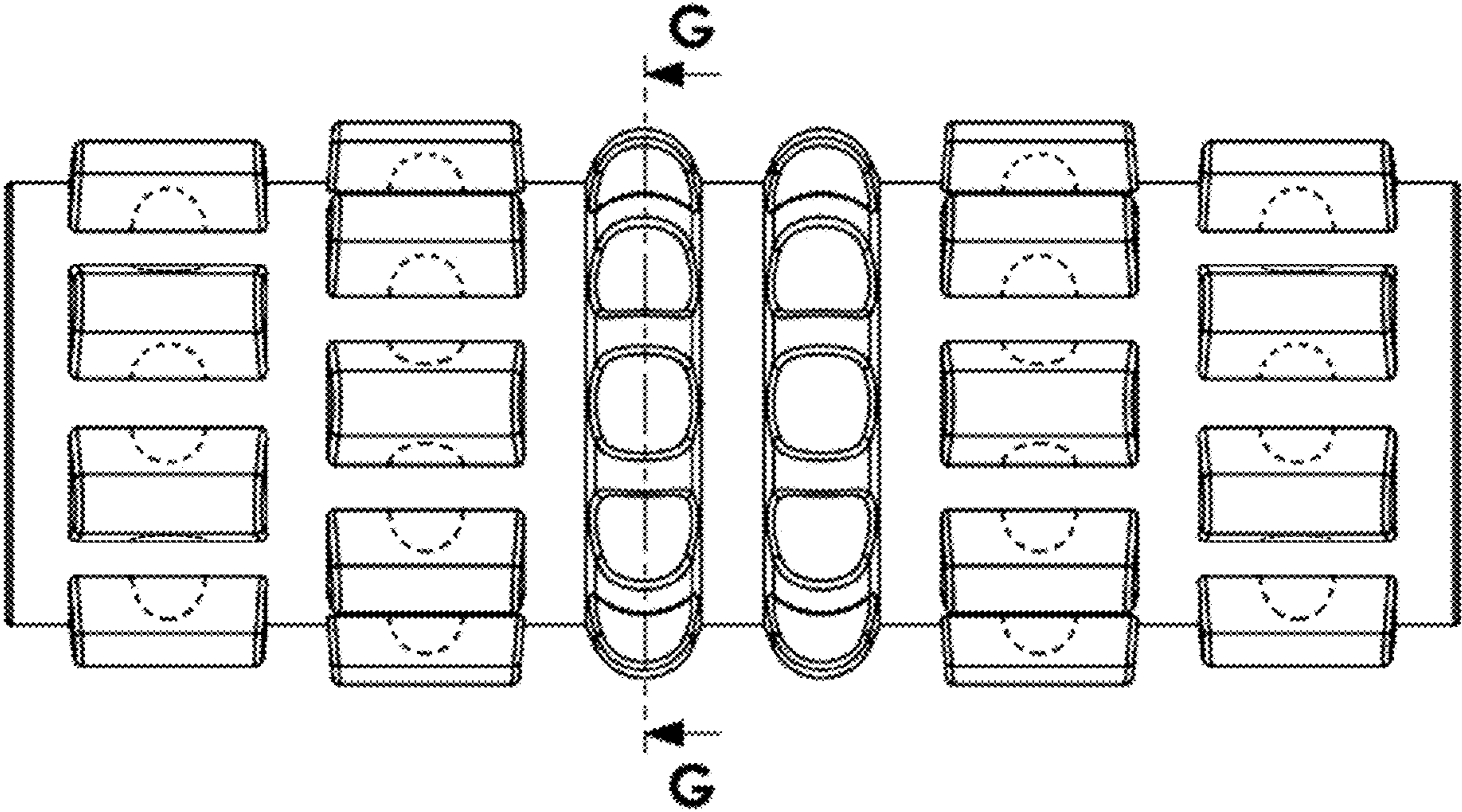


FIG. 5

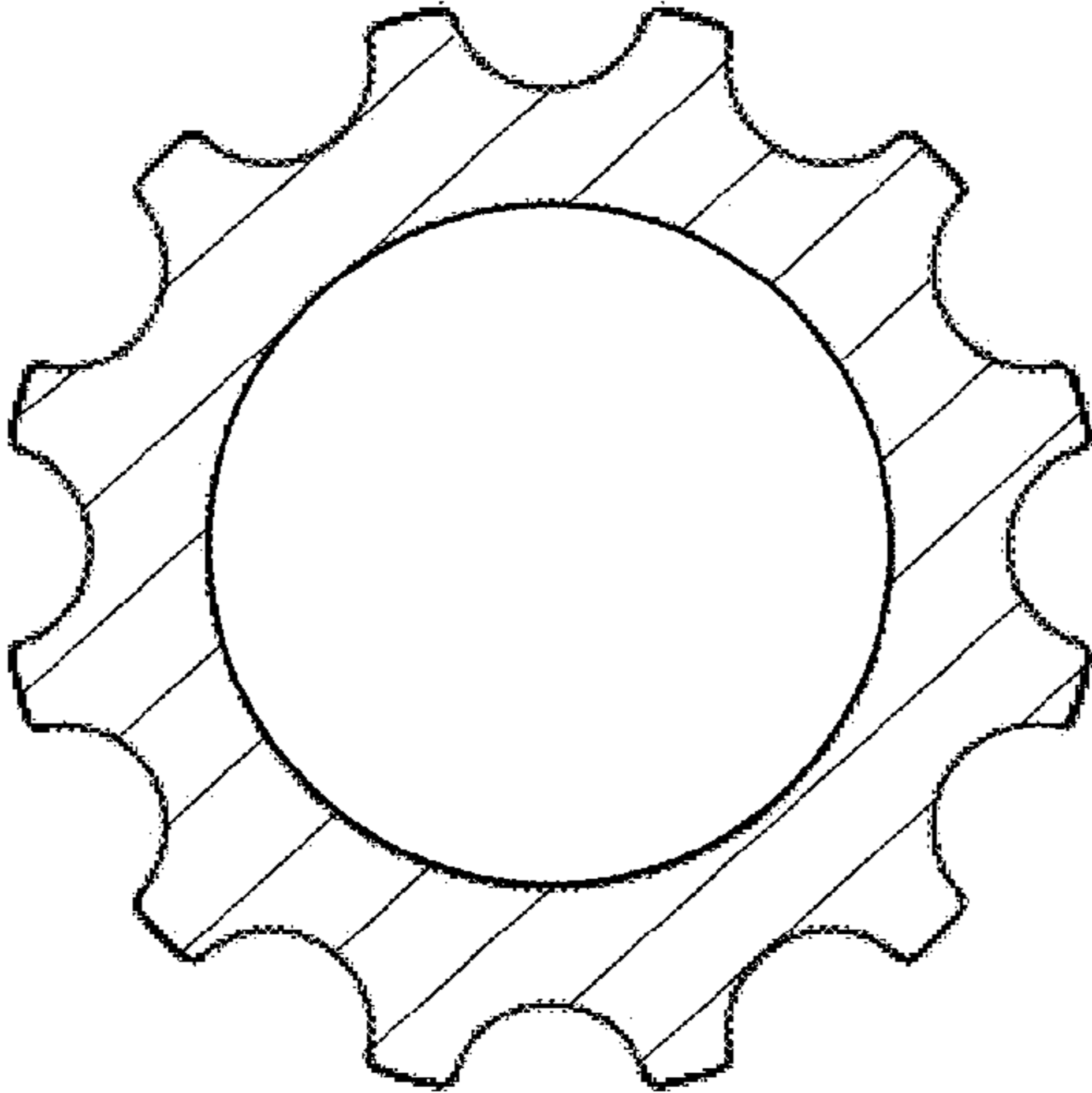


FIG. 6

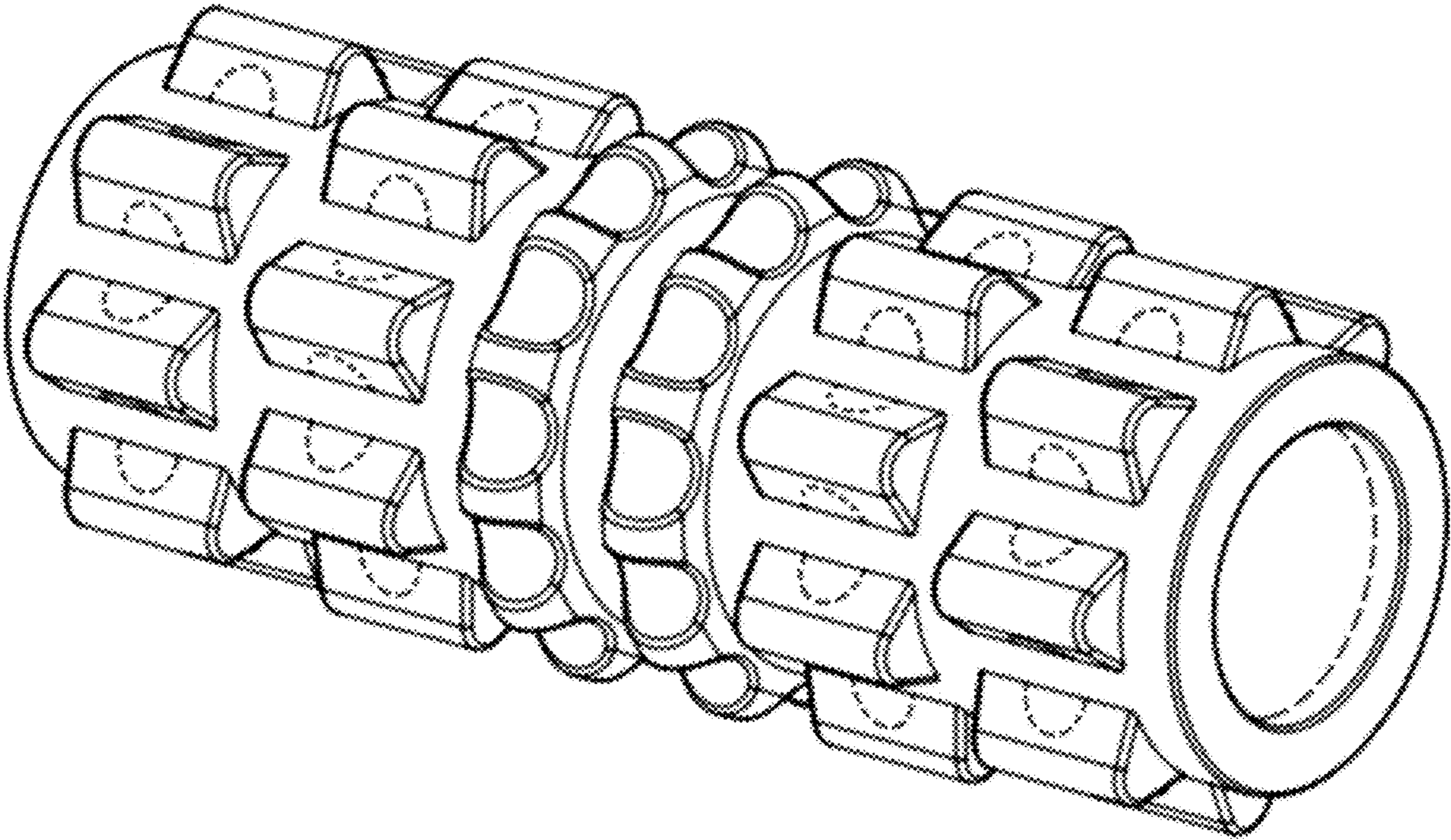


FIG. 7