



US00D962459S

(12) **United States Design Patent**
Wang

(10) **Patent No.:** **US D962,459 S**

(45) **Date of Patent:** **** Aug. 30, 2022**

(54) **RED LIGHT ARM PAD**

(71) Applicant: **SHENZHEN YIHONG LIGHTING CO., LTD.**, Shenzhen (CN)

(72) Inventor: **Xiangli Wang**, Zhengzhou (CN)

(73) Assignee: **SHENZHEN YIHONG LIGHTING CO., LTD.**, Shenzhen (CN)

(**) Term: **15 Years**

(21) Appl. No.: **29/802,959**

(22) Filed: **Aug. 9, 2021**

(51) **LOC (13) Cl.** **28-03**

(52) **U.S. Cl.**
USPC **D24/209**

(58) **Field of Classification Search**
USPC D24/107, 186, 200, 209, 210, 190, 191,
D24/192; D6/601
CPC A61N 5/0606; A61N 5/0624; A61N
2005/0626; A61N 2005/0627; A61N
2005/0645; A61N 2005/0652; A61N
2005/0654; A61N 2005/0659
See application file for complete search history.

(56) **References Cited**

U.S. PATENT DOCUMENTS

D562,986 S *	2/2008	Shurm	D24/200
D612,186 S	3/2010	Anderson		
D631,971 S *	2/2011	Turtzo	D24/209
D637,434 S	5/2011	Lovinger et al.		
D674,499 S *	1/2013	Palm	D24/200
D831,839 S *	10/2018	Pelletier	D24/209
D861,903 S *	10/2019	Cryan	D24/200
D914,901 S *	3/2021	Dijkstra	D24/210
D918,403 S *	5/2021	Chen	D24/190
2014/0277298 A1 *	9/2014	Tapper	A61N 5/0616 607/91

2017/0014640 A1 *	1/2017	Kariguddaiah	A61F 5/0118
2019/0111278 A1 *	4/2019	Tapper	A61N 5/0625
2020/0108268 A1 *	4/2020	Asprey	A61N 5/0616

OTHER PUBLICATIONS

Amazon. Red Light Therapy, Infrared Light Therapy pad, 660nm Red and 850nm Near Infrared Combo Red Light pad for Pain Relief(One Arm Pad). Product first available on Jul. 23, 2021. Retrieved from internet on May 25, 2022 at: https://www.amazon.com/Light-Therapy-Infrared-660nm-Relief/dp/B09B1YTGTV/ref=sr_1_42?keywords=light%2Btherapy%2Bpad&qid=1653507430&sr=8-42&th=1.*

* cited by examiner

Primary Examiner — Anhdao Doan

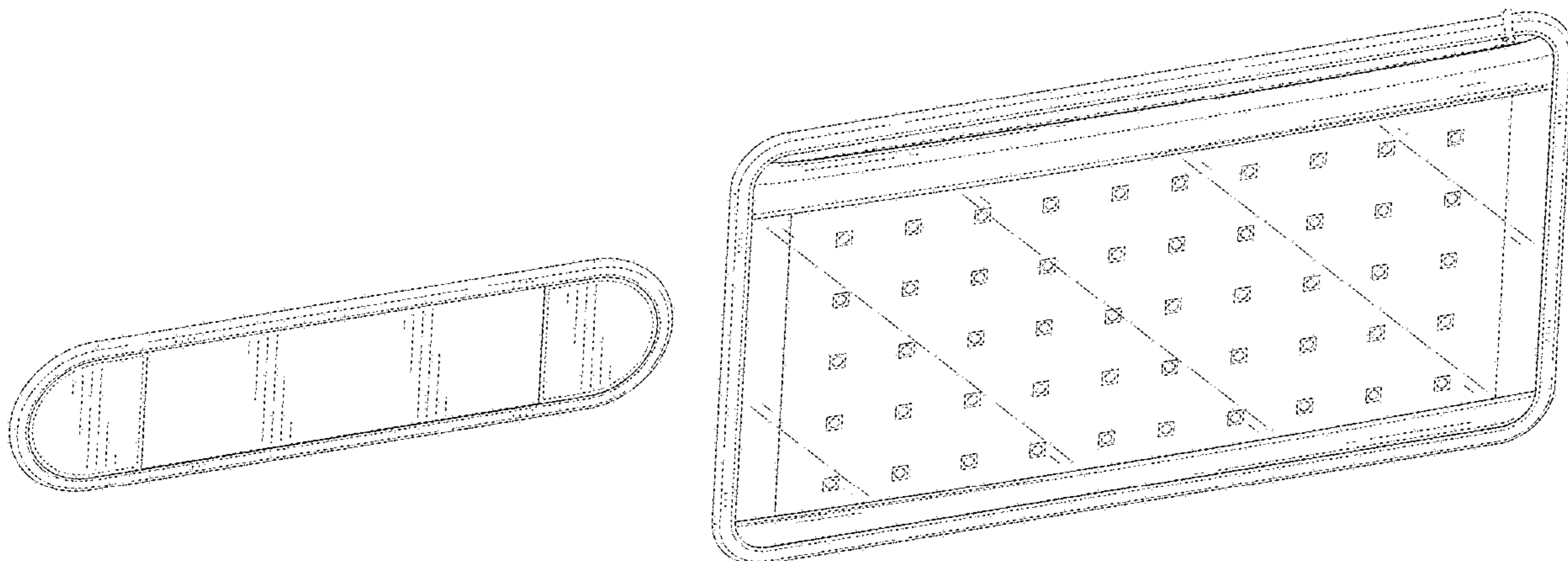
(57) **CLAIM**

The ornamental design for a red light arm pad, as shown and described.

DESCRIPTION

FIG. 1 is a perspective view of a red light arm pad showing my new design;
FIG. 2 is another perspective view thereof;
FIG. 3 is a front elevational view thereof;
FIG. 4 is a rear elevational view thereof;
FIG. 5 is a left side elevational view thereof;
FIG. 6 is a right side elevational view thereof;
FIG. 7 is a top plan view thereof;
FIG. 8 is a bottom plan view thereof; and,
FIG. 9 is a perspective view of the red light arm pad where the red light arm pad is in a configuration of use.
The short thick evenly spaced broken lines in the drawings depict stitching and form no part of the claimed design. The long thin evenly spaced broken lines in the drawings depict portions of red light arm pad and form no part of the claimed design.

1 Claim, 9 Drawing Sheets



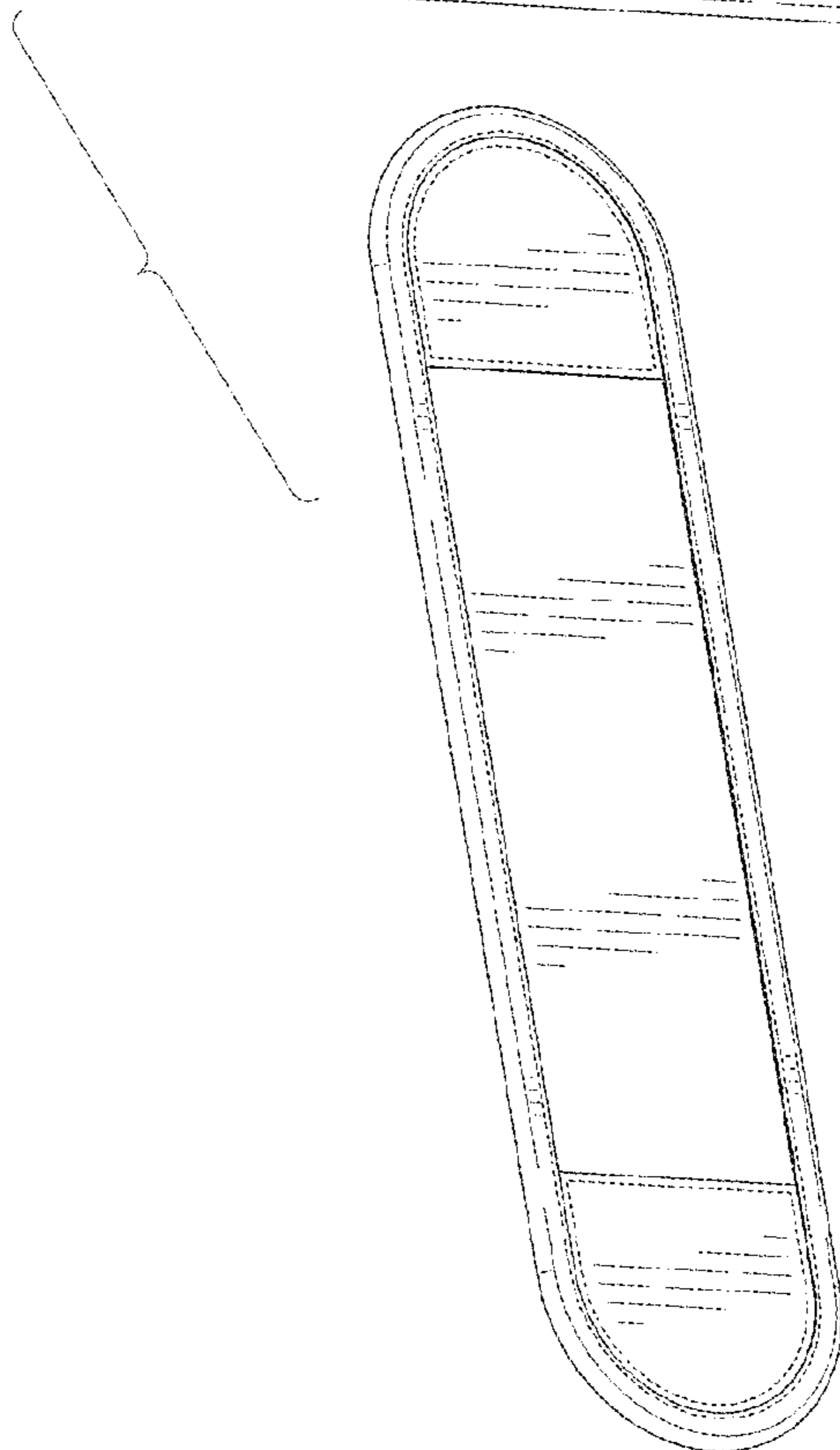
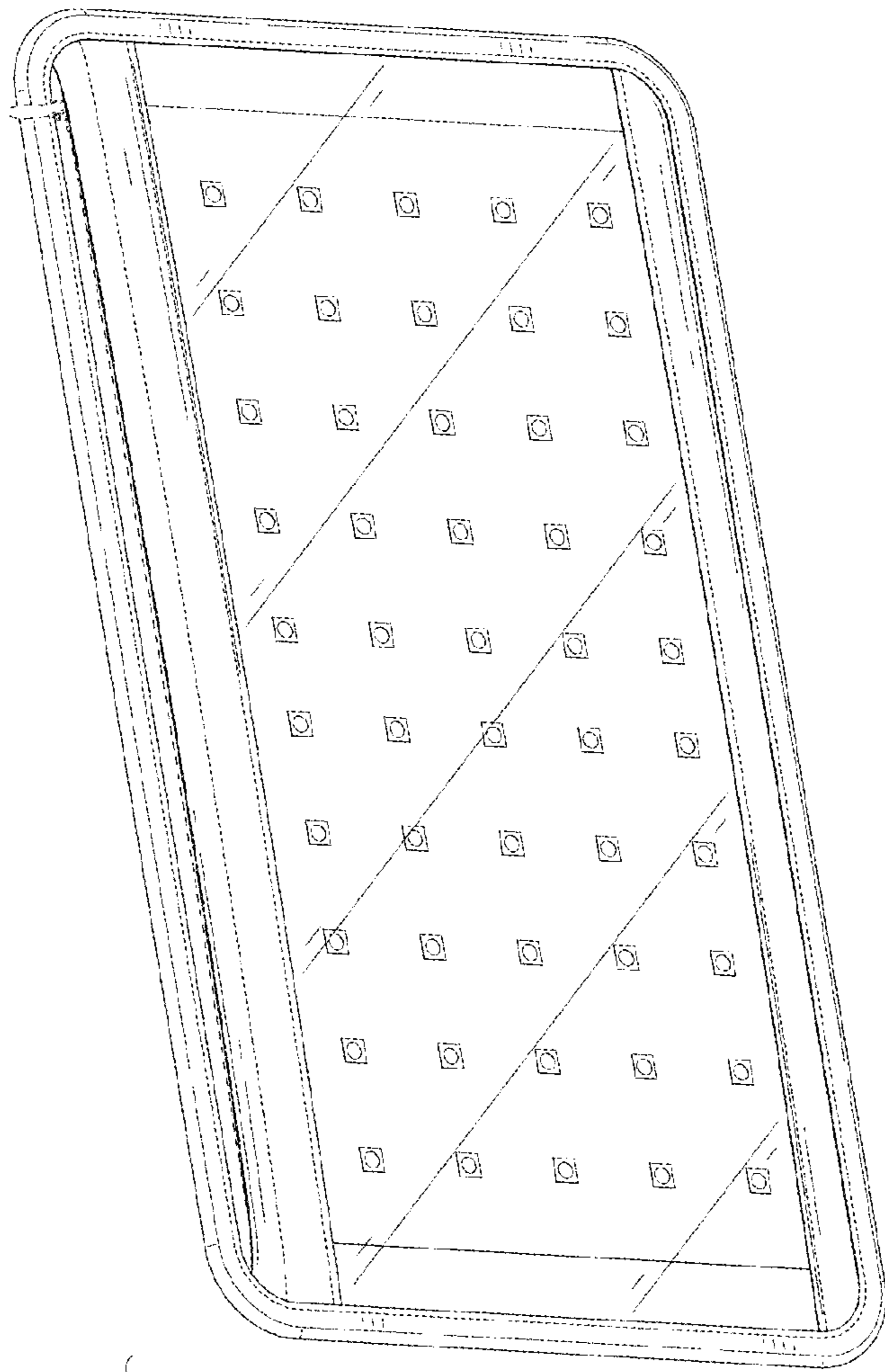


FIG. 1

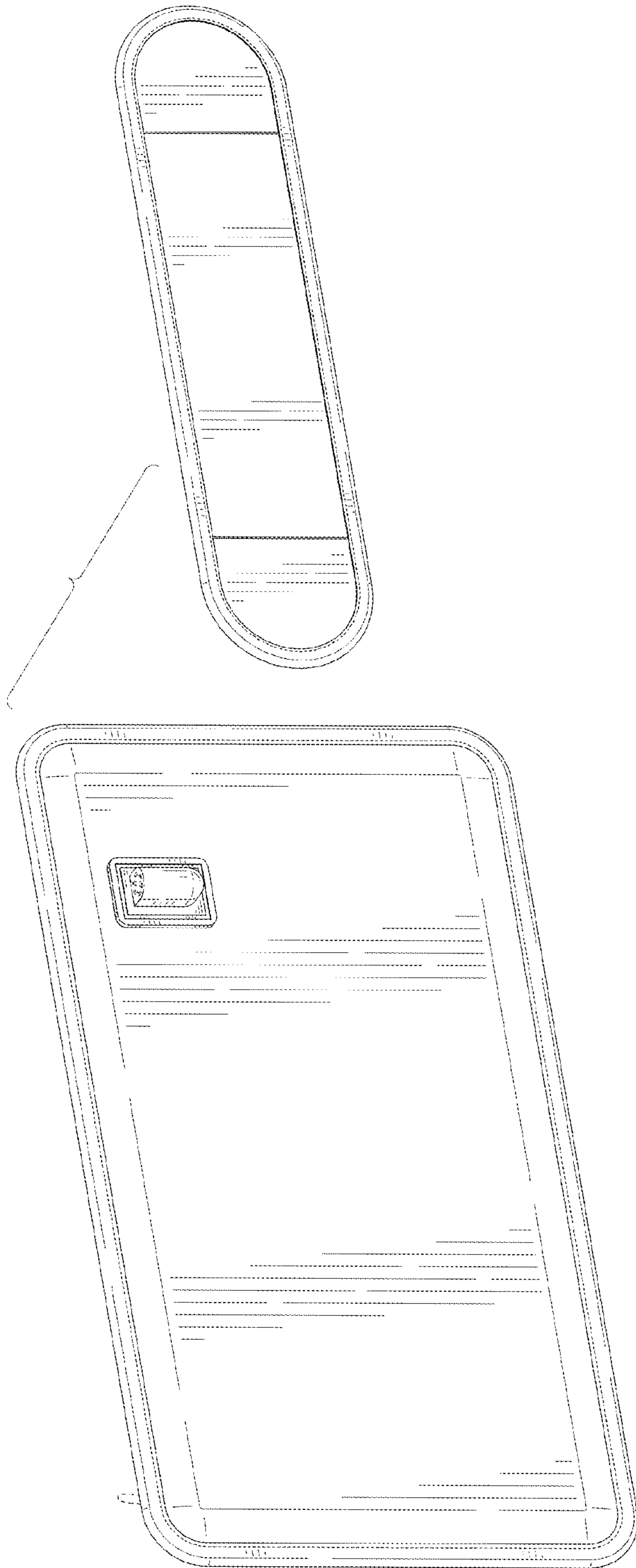


FIG. 2

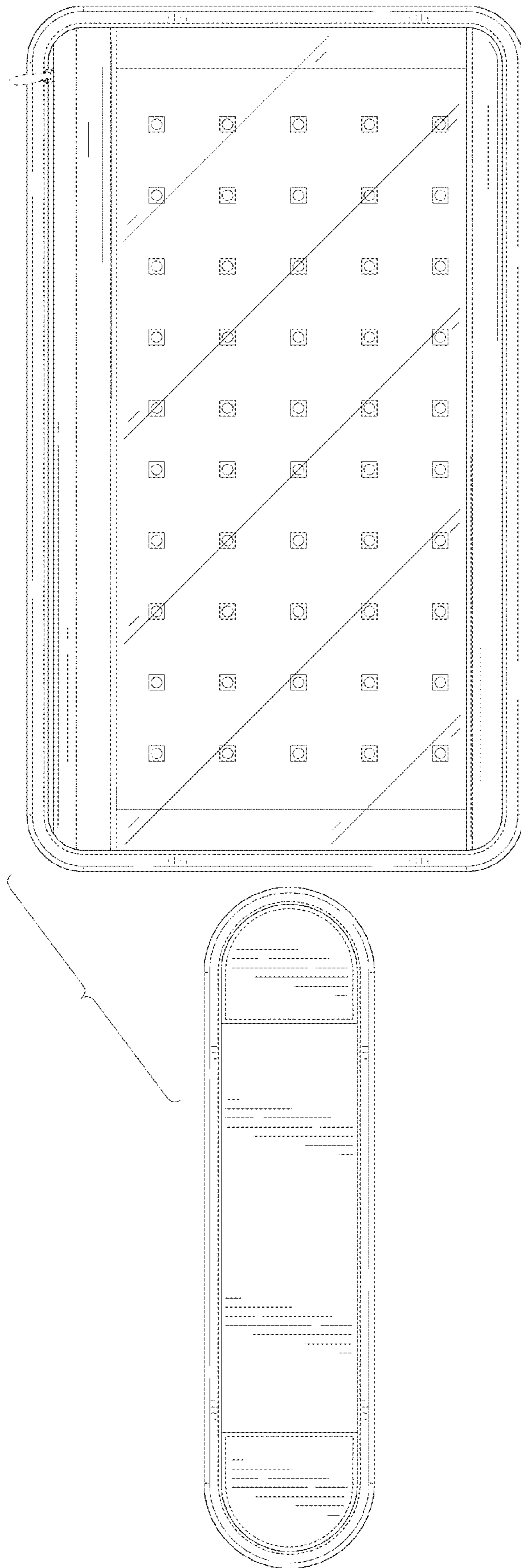


FIG. 3

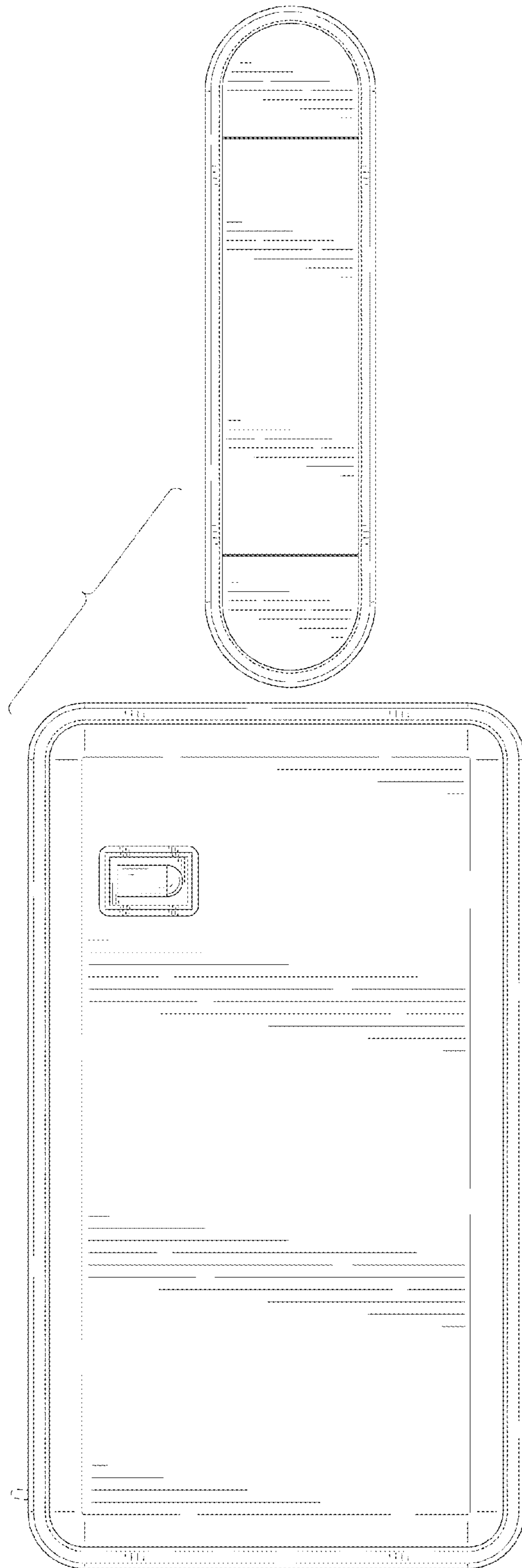


FIG. 4

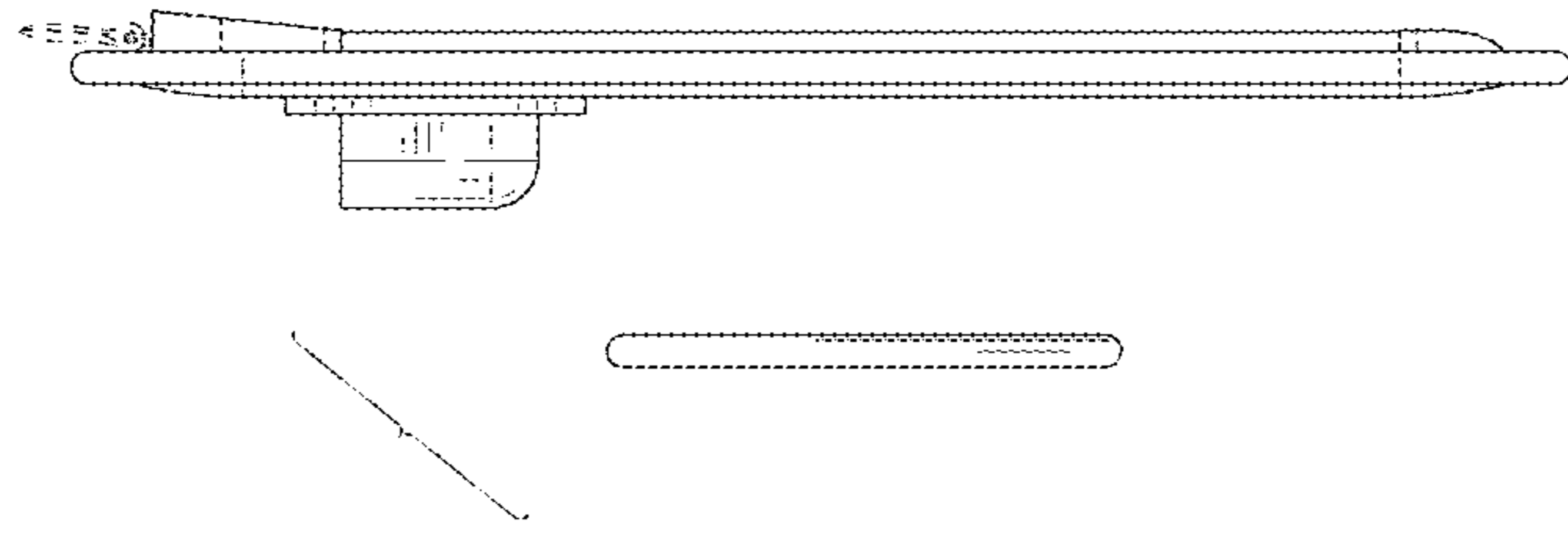


FIG. 5

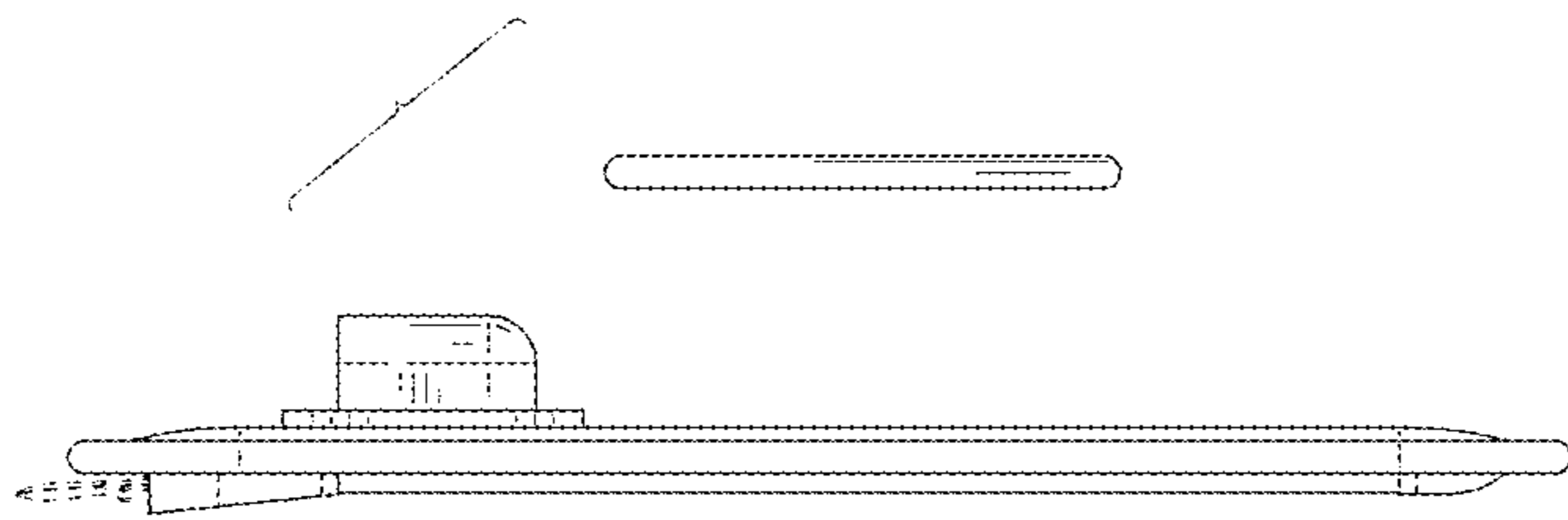


FIG. 6

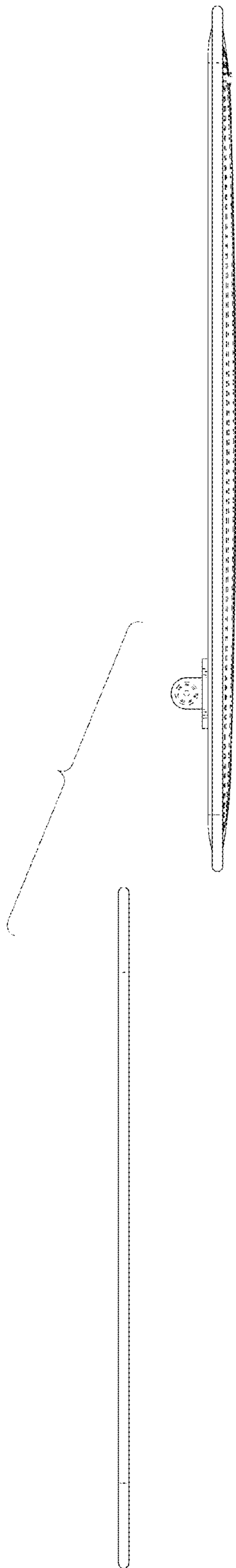


FIG. 7

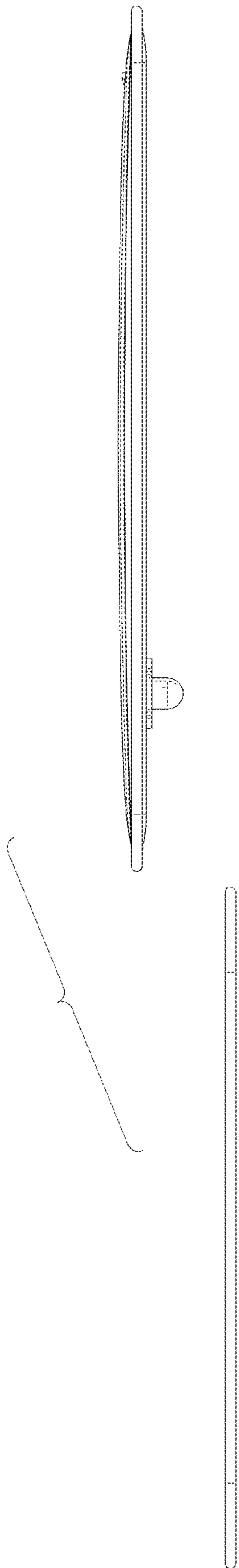


FIG. 8

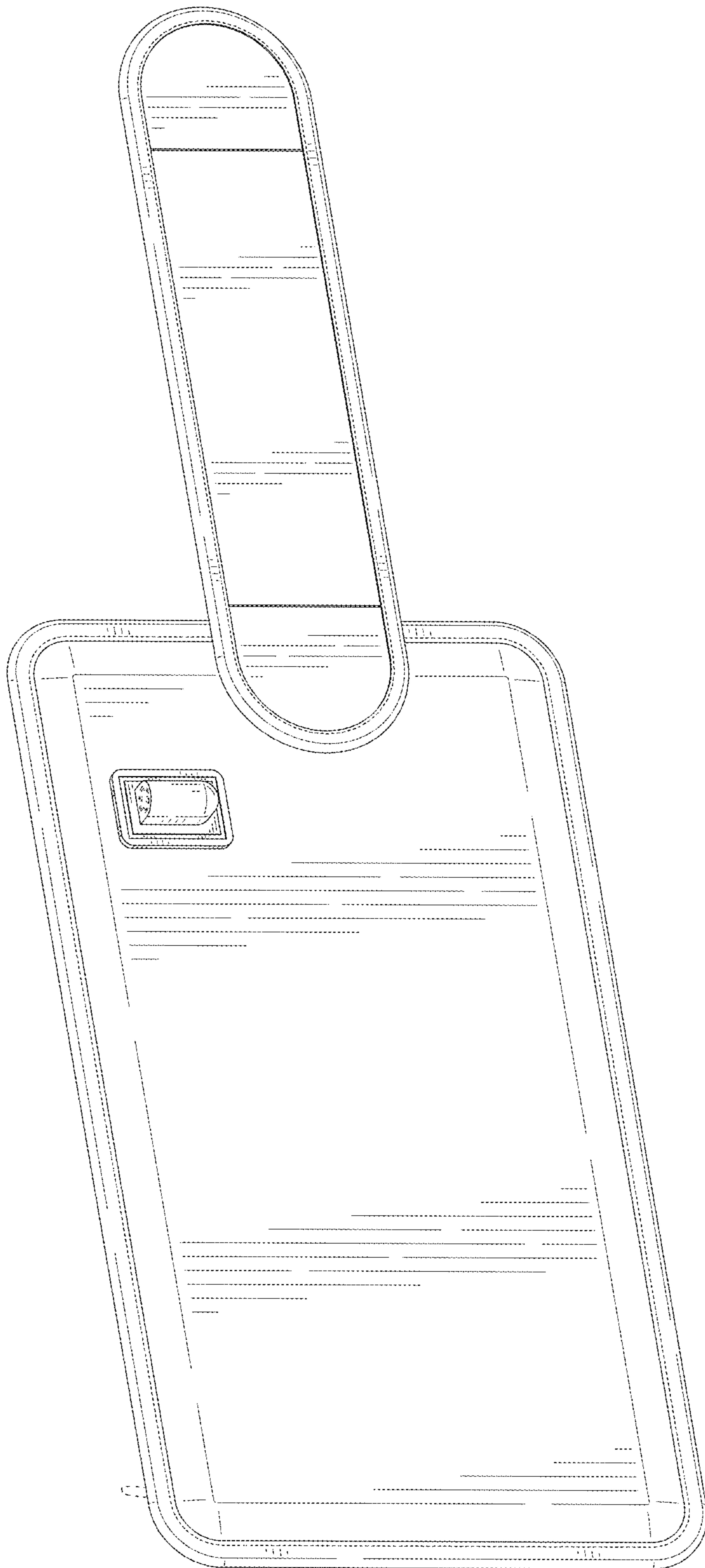


FIG. 9