



US00D962455S

(12) **United States Design Patent**
Komamura et al.

(10) **Patent No.:** **US D962,455 S**
(45) **Date of Patent:** **** Aug. 30, 2022**

(54) **PROBE FOR ELECTROMYOGRAPH**

- (71) Applicant: **SOFKEN CO., LTD.**, Shiroi (JP)
- (72) Inventors: **Takeo Komamura**, Shiroi (JP); **Kenzo Komamura**, Shiroi (JP)
- (73) Assignee: **SOFKEN CO., LTD.**, Shiroi (JP)
- (**) Term: **15 Years**
- (21) Appl. No.: **29/751,501**
- (22) Filed: **Sep. 22, 2020**
- (30) **Foreign Application Priority Data**

Mar. 26, 2020 (JP) 2020-005832 D

- (51) **LOC (13) Cl.** **28-03**
- (52) **U.S. Cl.**
USPC **D24/200**
- (58) **Field of Classification Search**
USPC D24/200, 186–188, 141, 214–215
CPC A61H 21/00; A61H 2201/0153; A61H 2201/10; A61H 15/0092; A61H 2230/60; A61N 1/36021; A61N 1/36003; A61N 1/36

See application file for complete search history.

(56) **References Cited**

U.S. PATENT DOCUMENTS

- D338,964 S * 8/1993 Tarjoto A61H 7/00 D24/200
- D351,660 S * 10/1994 Ichikawa D24/200
- D371,442 S * 7/1996 Semyonova D24/214
- D375,167 S * 10/1996 Taylor D24/200
- D405,532 S * 2/1999 Melendez D24/200
- D490,529 S * 5/2004 Yang D24/200
- D704,345 S * 5/2014 Tai D24/215
- D773,065 S * 11/2016 Driscoll D24/215
- D807,523 S * 1/2018 Difiore D24/215
- D861,186 S * 9/2019 Matsuura D24/215
- D914,228 S * 3/2021 Lin D24/215

OTHER PUBLICATIONS

- EMG Electrode—T6050. Thought Technology. Retrieved Jun. 2020. <<https://www.medicaexpo.com/prod/thought-technology/product-70321-739531.html>>.
- Rektal sensor til U-Control bekkenbunnopptrener. BioStim AS. Retrieved Jun. 2020. <https://www.biostim.no/produkt/rektal-sensor-u-control-bekkenbunnopptrener/>.
- Vaginal pelvic muscle probe—PERISPHERA®-E-BEACMED. Retrieved Jun. 2020. <https://www.medicaexpo.com/prod/beacmed/product-67740-600829.html>.
- EMS-Vaginalsonde gegen Inkontinenz | Beckenbodentrainer mit elektrischer Muskelstimulation (EMS). Retrieved Jun. 2020. <https://beckenboden-trainer.de/sonden/vaginalsonden/32/vaginalsonde-bei-inkontinenz.-beckenbodenmuskulatur>.
- Anal Probe. Retrieved Jun. 2020. <https://ja.aliexpress.com/item/32414048195.html>.
- Pathway Rectal Sensor for EMG Units and E-Stimulators. Retrieved Jun. 2020. <https://www.advantagemedical.com/products/pathway-rectal-sensor-for-emg-and-e-stim/>.
- Rectal Sensor with Stim. MedQuip, Inc. Retrieved Jun. 2020. <https://medicalquip.com/product/rectal-sensor-with-stim/>.

* cited by examiner

Primary Examiner — Wan Laymon
(74) *Attorney, Agent, or Firm* — Oliff PLC

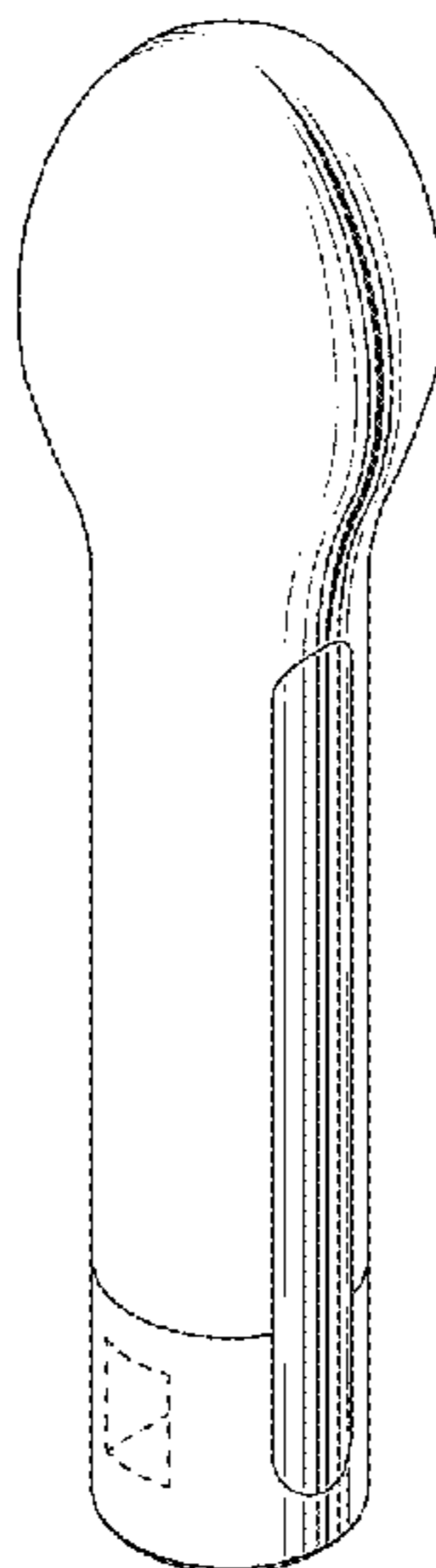
(57) **CLAIM**

The ornamental design for a probe for electromyograph, as shown and described.

DESCRIPTION

FIG. 1 is a front, right-side, top perspective view of the probe for electromyograph, showing the new design; FIG. 2 is a front elevational view thereof; FIG. 3 is a left-side elevational view thereof; FIG. 4 is a top plan view thereof; and, FIG. 5 is a bottom plan view thereof. The broken lines depict parts of the probe that form no part of the claimed design.

1 Claim, 3 Drawing Sheets



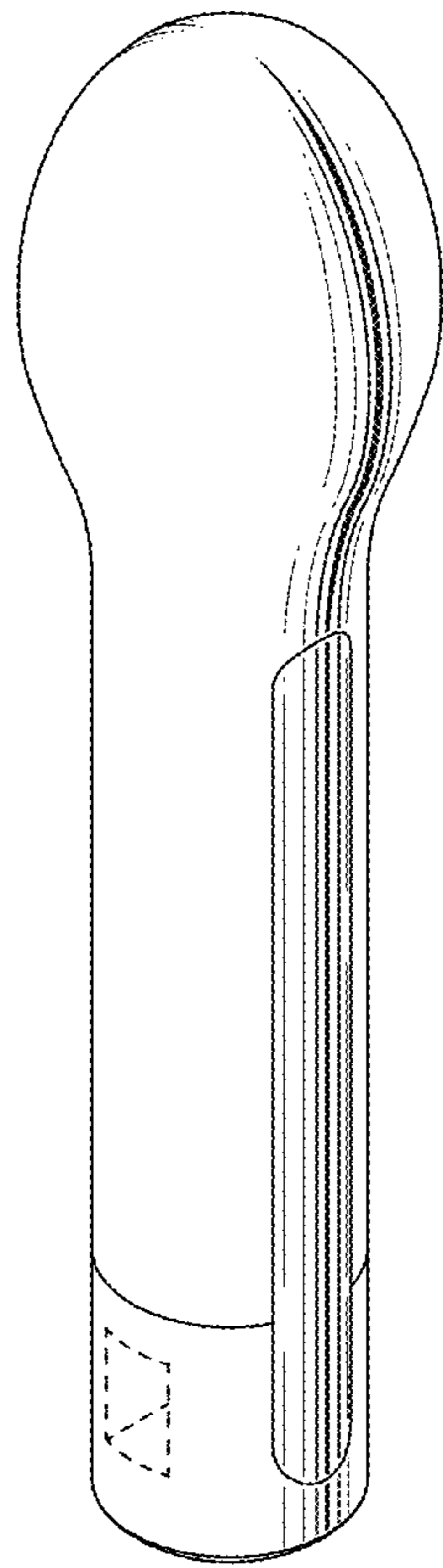


FIG. 1

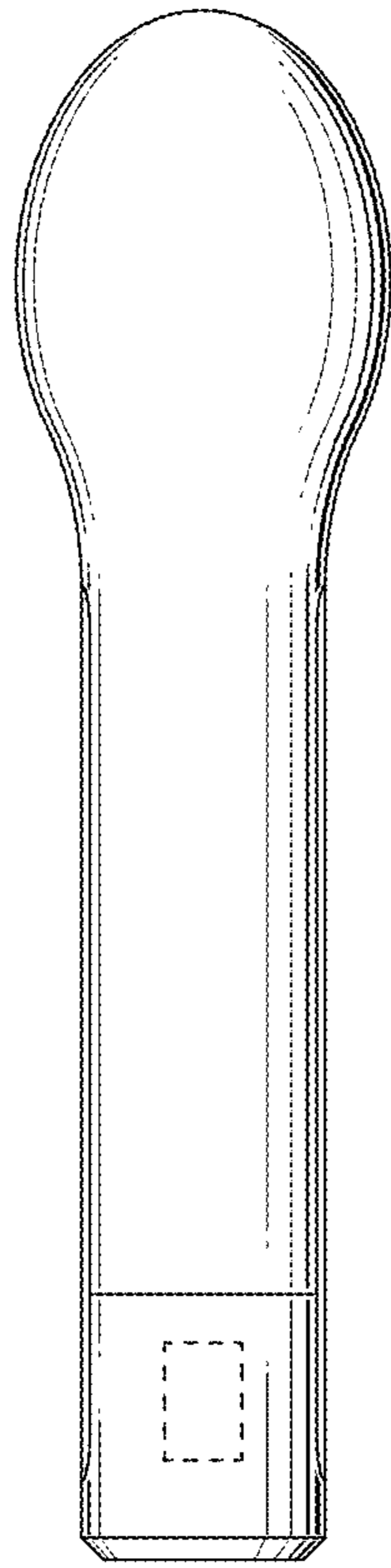


FIG. 2

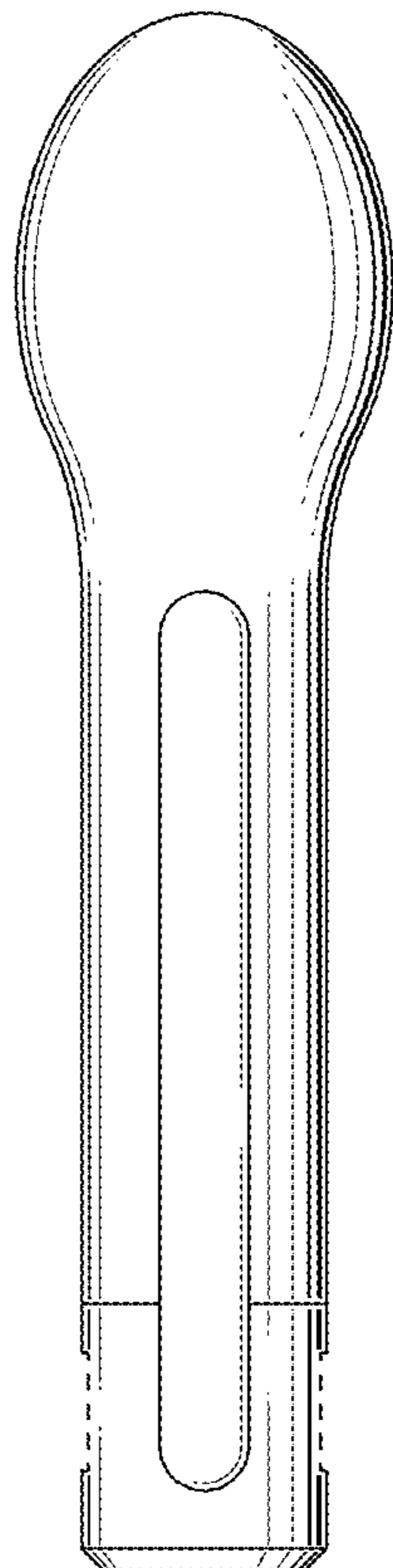


FIG. 3

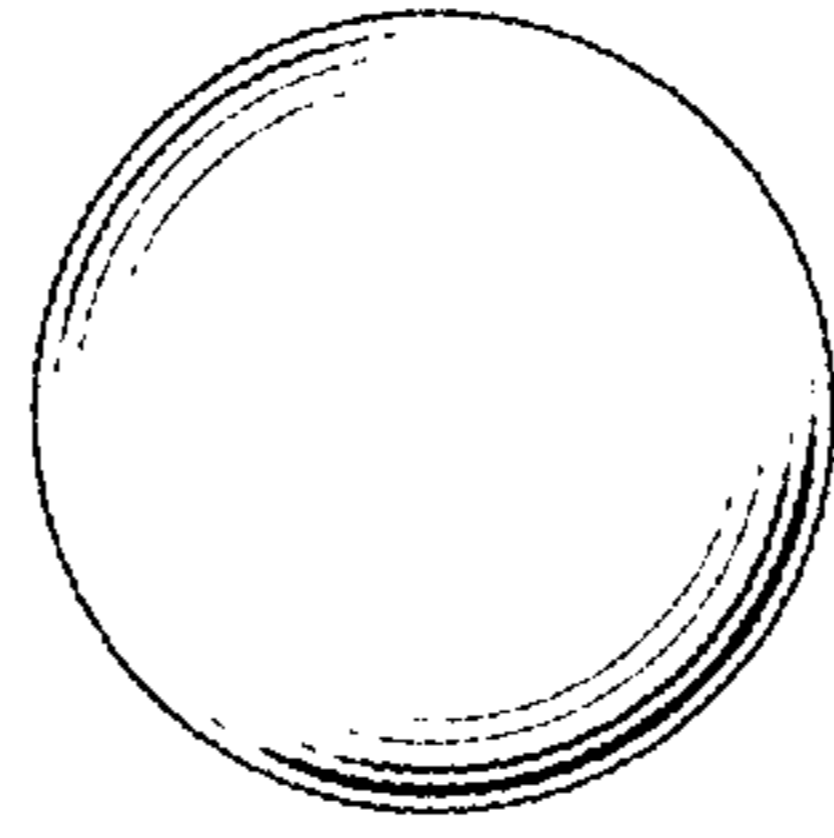


FIG. 4

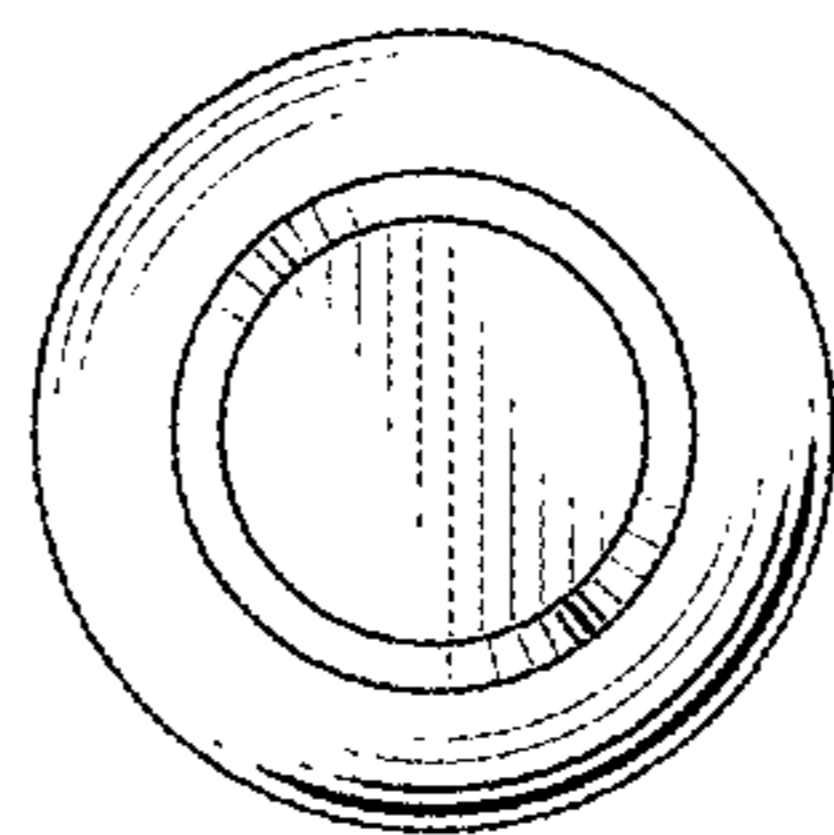


FIG. 5