

US00D962454S

(12) **United States Design Patent** (10) **Patent No.:** **US D962,454 S**  
**Zhang** (45) **Date of Patent:** **\*\* Aug. 30, 2022**

(54) **NIPPLE**  
(71) Applicant: **THINK GREEN LIMITED**, Auckland (NZ)

(72) Inventor: **Shu Ting Zhang**, Hubei (CN)

(73) Assignee: **THINK GREEN LIMITED**, Auckland (NZ)

(\*\*) Term: **15 Years**

(21) Appl. No.: **29/782,461**

(22) Filed: **May 6, 2021**

(30) **Foreign Application Priority Data**

Apr. 1, 2021 (CN) ..... 20213018345.3

(51) **LOC (13) Cl.** ..... **24-04**

(52) **U.S. Cl.**  
USPC ..... **D24/196; D7/392.1**

(58) **Field of Classification Search**  
USPC ..... D24/193, 194, 195, 196, 197, 198, 199;  
D7/392.1, 511, 533, 619.1, 619.2, 622,  
D7/623

CPC ..... A61J 11/00; A61J 11/0035; A61J 11/0045  
See application file for complete search history.

(56) **References Cited**

U.S. PATENT DOCUMENTS

D406,213 S \* 3/1999 Rausch ..... D7/619.1  
D439,983 S \* 4/2001 Dealing ..... D24/194  
D449,381 S 10/2001 De Begon De Larouziere  
D547,874 S 7/2007 Horie et al.  
D557,560 S \* 12/2007 Wahl ..... D7/533  
D617,057 S 6/2010 Terwilleger  
D707,498 S \* 6/2014 Wilson ..... D7/622  
D743,568 S \* 11/2015 Almonte ..... D24/197  
D749,897 S \* 2/2016 Zicafoose ..... D7/392.1  
D752,234 S \* 3/2016 Moore ..... D24/196  
D840,044 S \* 2/2019 Rard ..... D24/194

D934,437 S \* 10/2021 Kwon ..... D24/196  
D936,848 S \* 11/2021 Zhang ..... D24/190  
2005/0082301 A1\* 4/2005 Verbovszky ..... A61J 11/0035  
220/717  
2007/0208379 A1\* 9/2007 Kessler ..... A61J 17/001  
606/234

(Continued)

FOREIGN PATENT DOCUMENTS

CA 178410 9/2019  
EM 000542782-0001 6/2006  
EM 000966635-0003 7/2008

OTHER PUBLICATIONS

“TipMeNot: Baby Bottle Learning Tool”. Found online May 22, 2018 at amazon.com. Reference dated Oct. 11, 2015. Retrieved from <https://www.amazon.com/dp/B011WMMX4K/>.\*

(Continued)

*Primary Examiner* — Kendra Leslie Hamilton  
(74) *Attorney, Agent, or Firm* — Dragon Sun Law Firm, P.C.; Jinggao Li, Esq.; Nathaniel Perkins

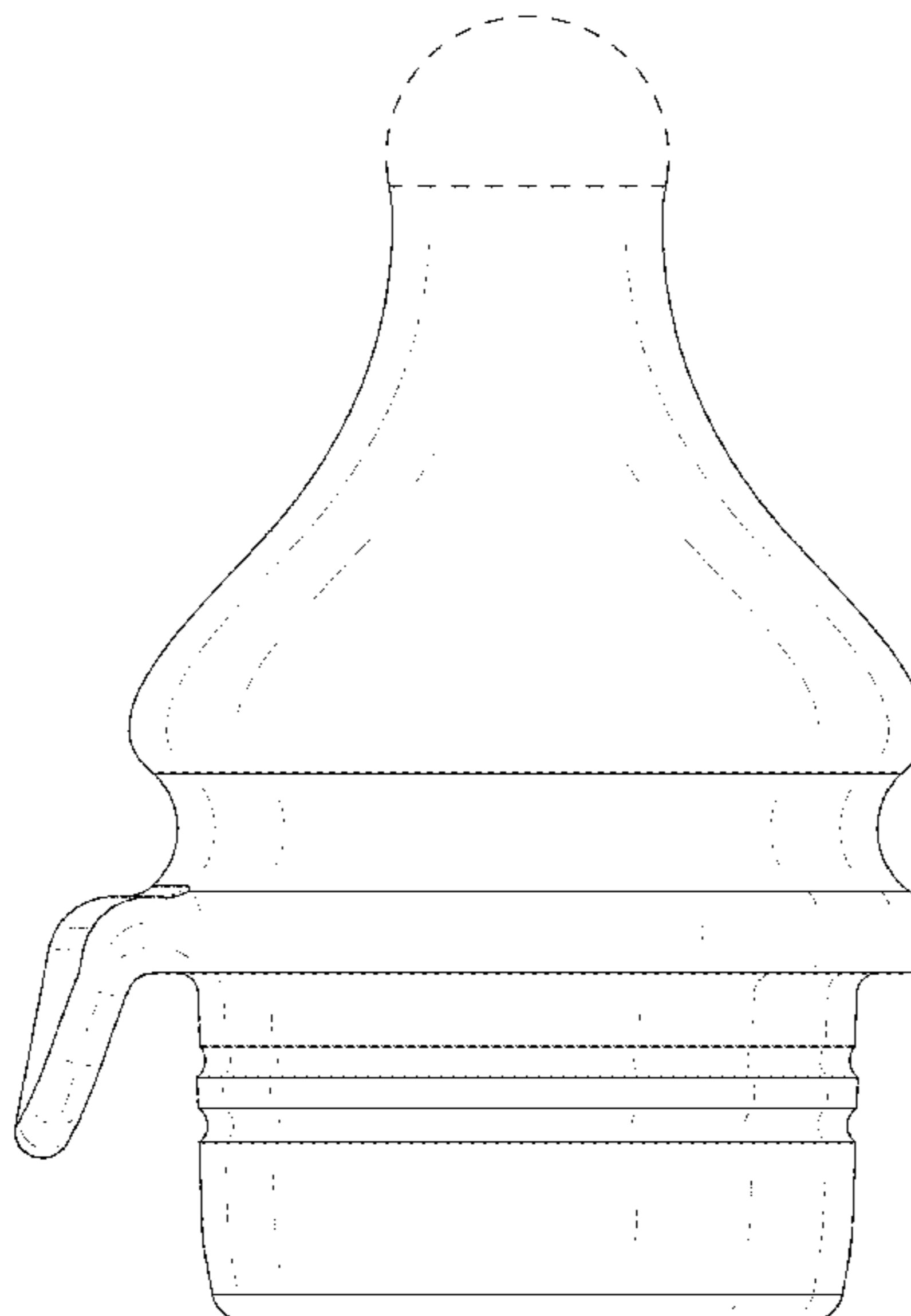
(57) **CLAIM**

The ornamental design for a nipple, as shown and described.

**DESCRIPTION**

FIG. 1 is a top perspective view of a nipple showing my new design;  
FIG. 2 is a bottom perspective view thereof;  
FIG. 3 is a front elevation view thereof;  
FIG. 4 is a rear elevation view thereof;  
FIG. 5 is a left elevation view thereof;  
FIG. 6 is a right elevation view thereof;  
FIG. 7 is a top plan view thereof; and,  
FIG. 8 is a bottom plan view thereof.  
The broken lines shown in the figures depict portions of the nipple that form no part of the claimed design.

**1 Claim, 8 Drawing Sheets**



(56)

**References Cited**

U.S. PATENT DOCUMENTS

2012/0267334 A1\* 10/2012 Yamashita ..... A61J 11/02  
215/11.5

OTHER PUBLICATIONS

“Avima: Anti-Colic Newborn Baby Bottles”. Found online Oct. 6, 2021 at amazon.com. Reference dated Aug. 7, 2019. Retrieved from <https://www.amazon.com/Avima-Bottles-Newborn-Anti-Colic-Nipples/dp/B07TF6HX9Y/>.\*

“Benir Nursing Accessories”. Found online Jun. 18, 2018 at benirbaby.com. Page dated Feb. 13, 2016. Retrieved from <https://web.archive.org/web/20160213020516/http://www.benirbaby.com:80/category/nursing-and-infant-feeding/nursing-accessories/>.\*

“Wise Baby: Sippy Cup Reviews”. Found online May 22, 2018 at thewisebaby.com. Reference dated Sep. 9, 2013. Retrieved from <http://www.thewisebaby.com/sippy-cup-reviews/>.\*

Peach Teats Limited, WIPO Global Design Database, Calf Teat, Application No. 400305.

\* cited by examiner

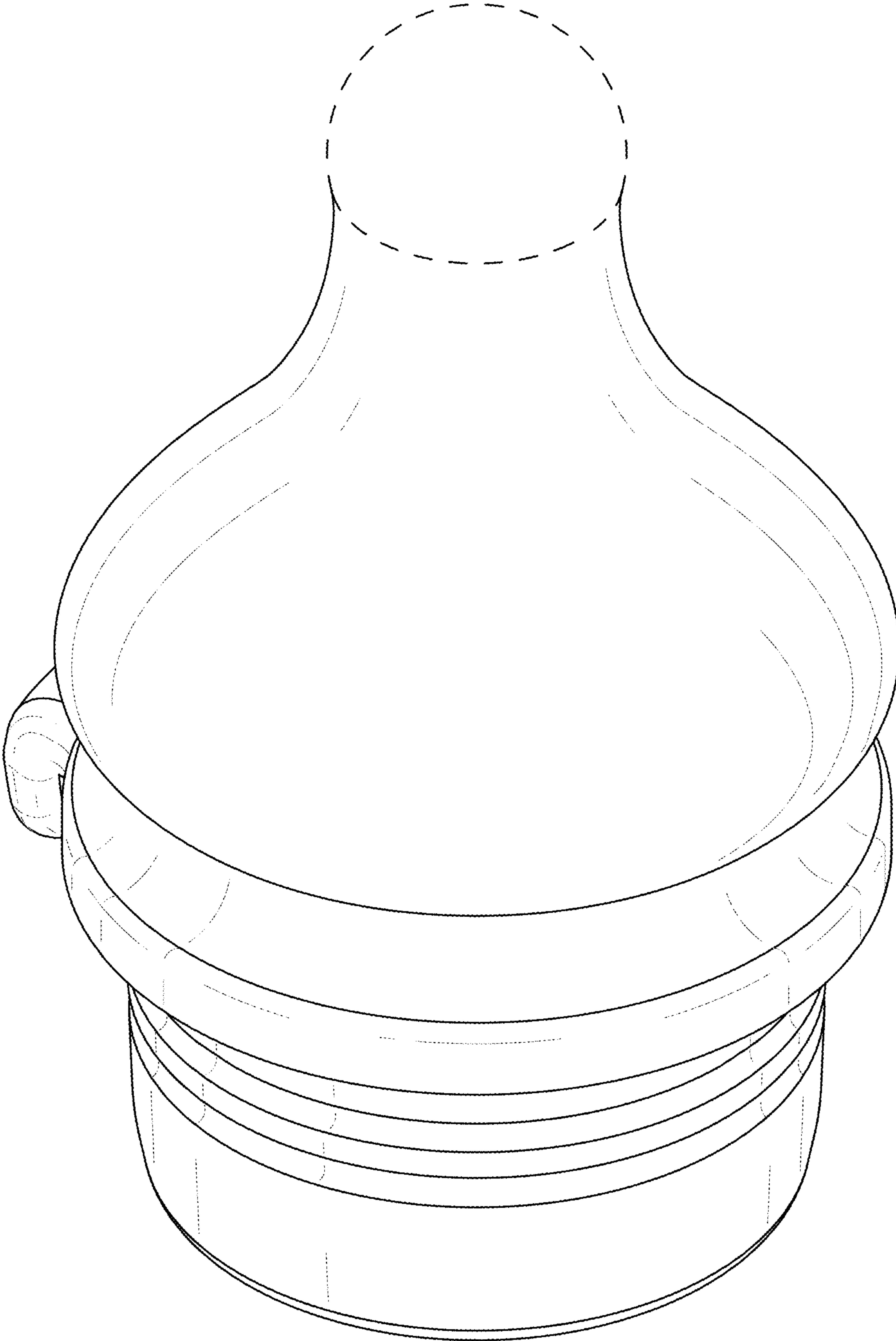


FIG.1

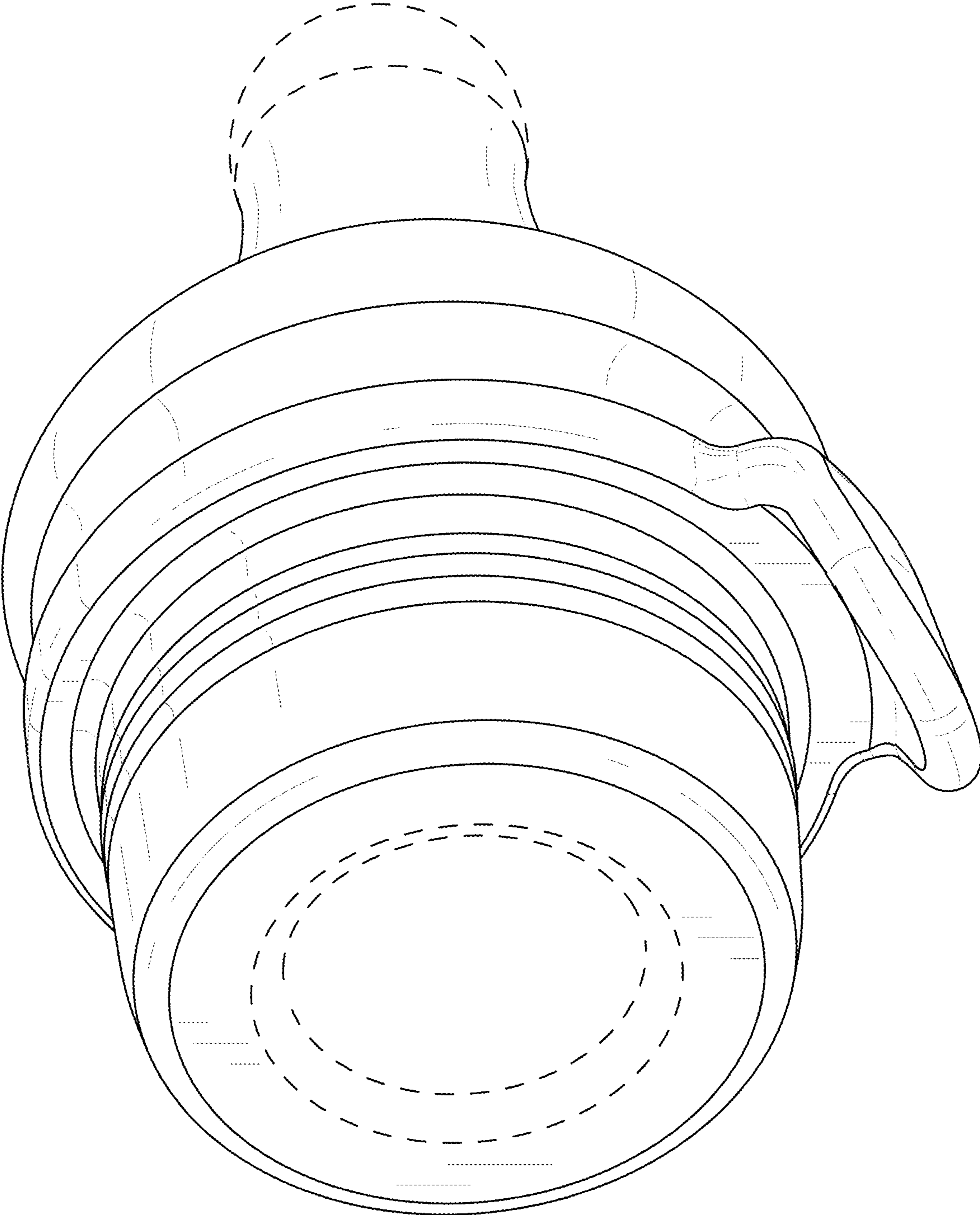


FIG.2

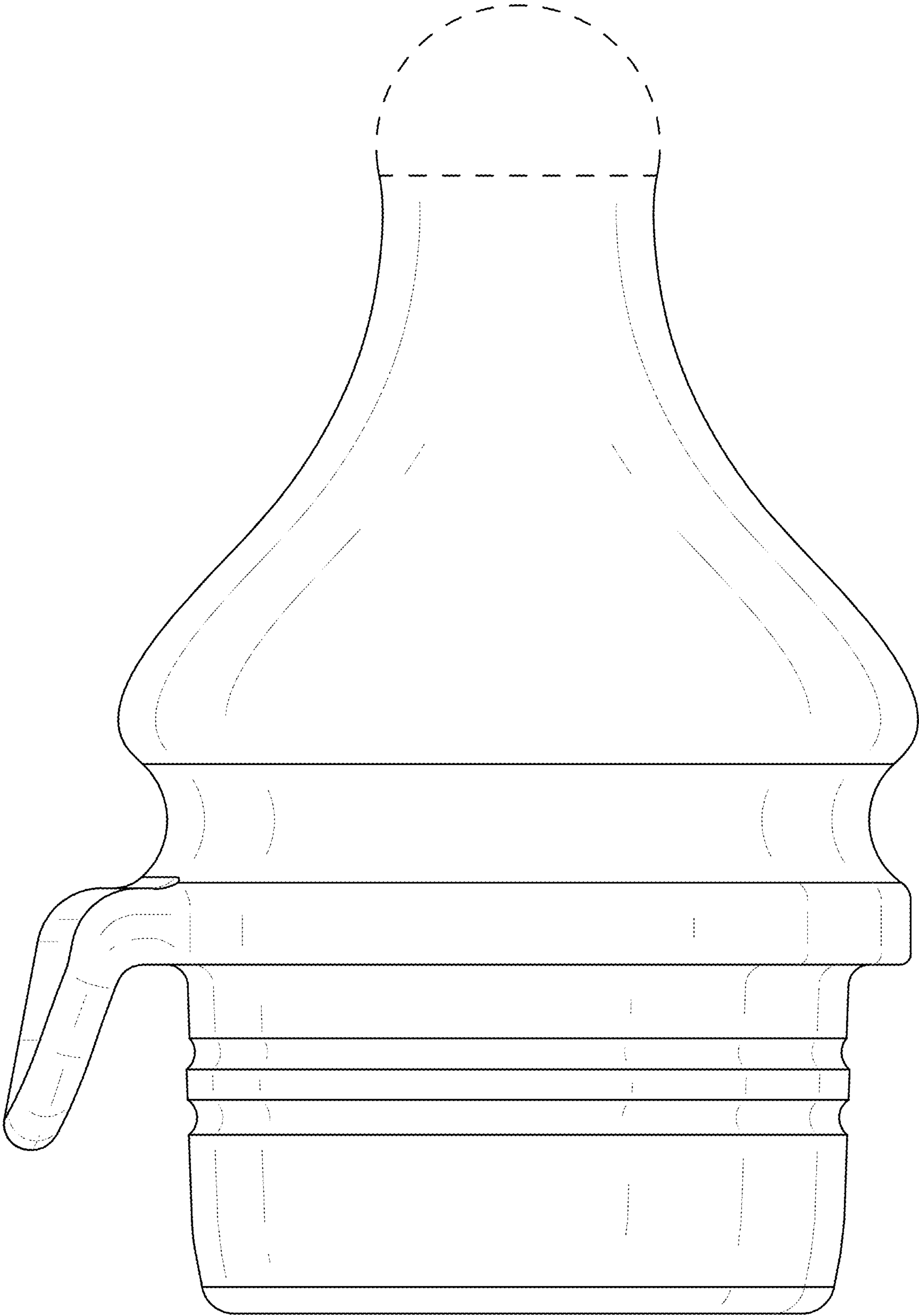


FIG.3

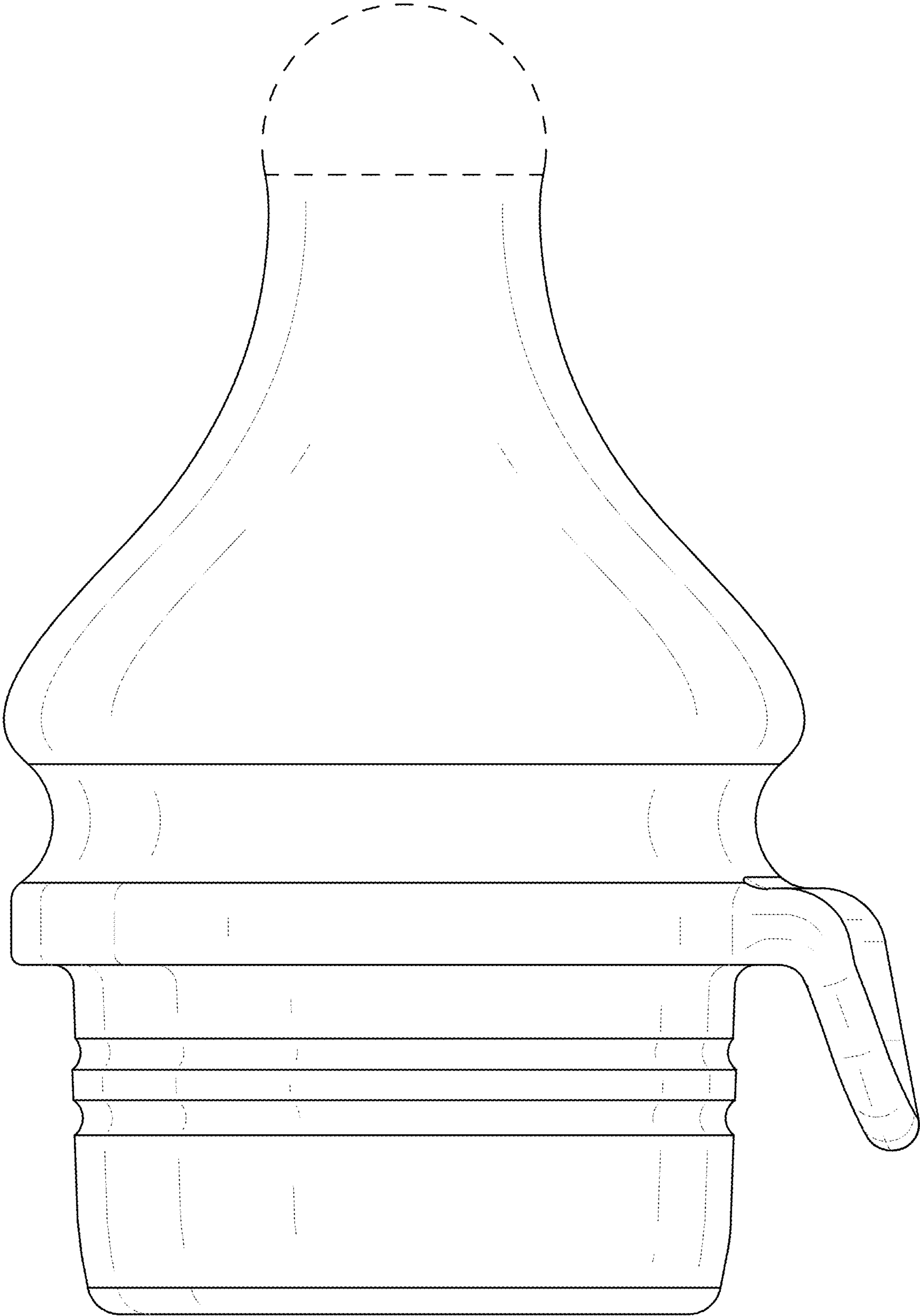


FIG.4

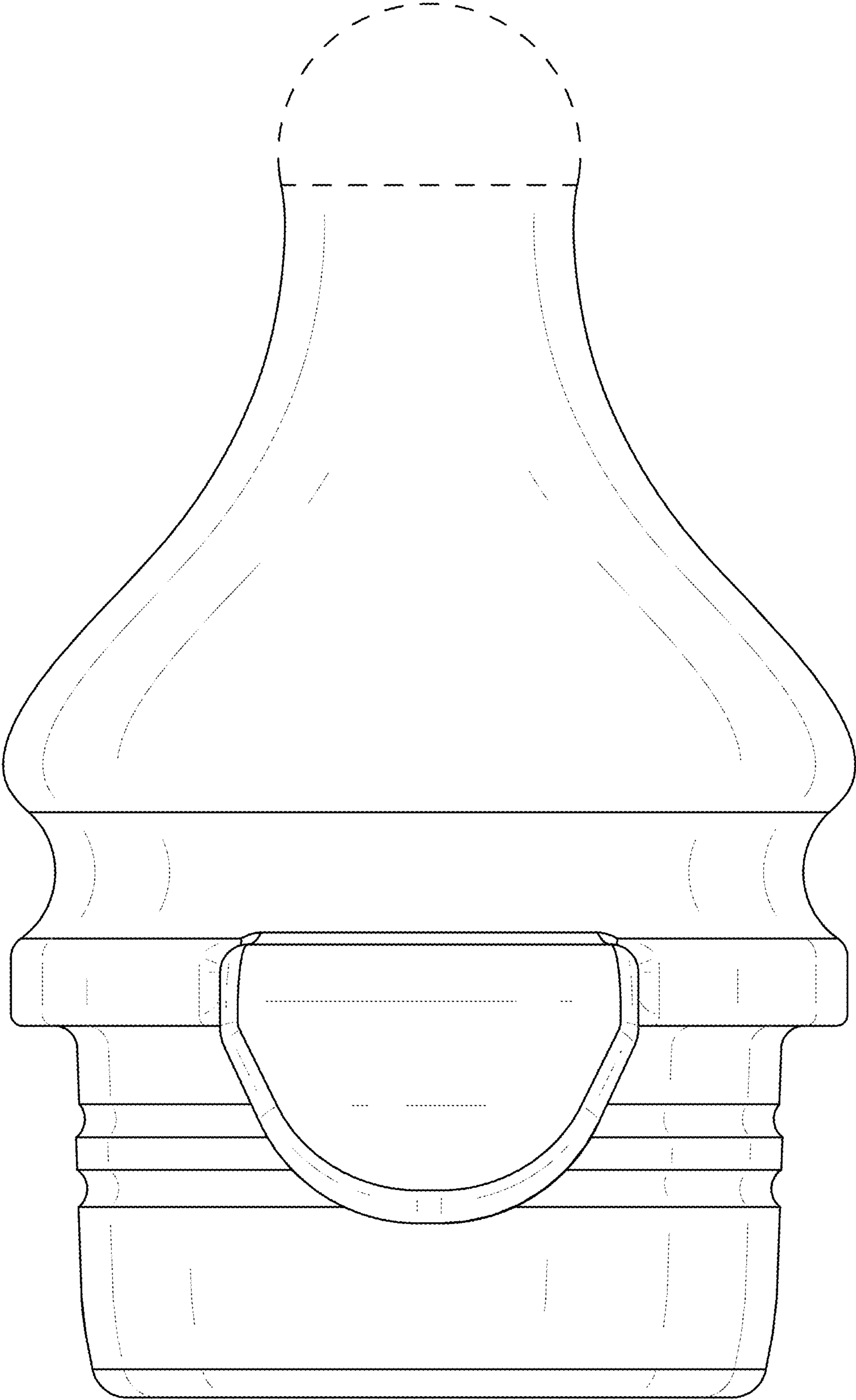


FIG.5

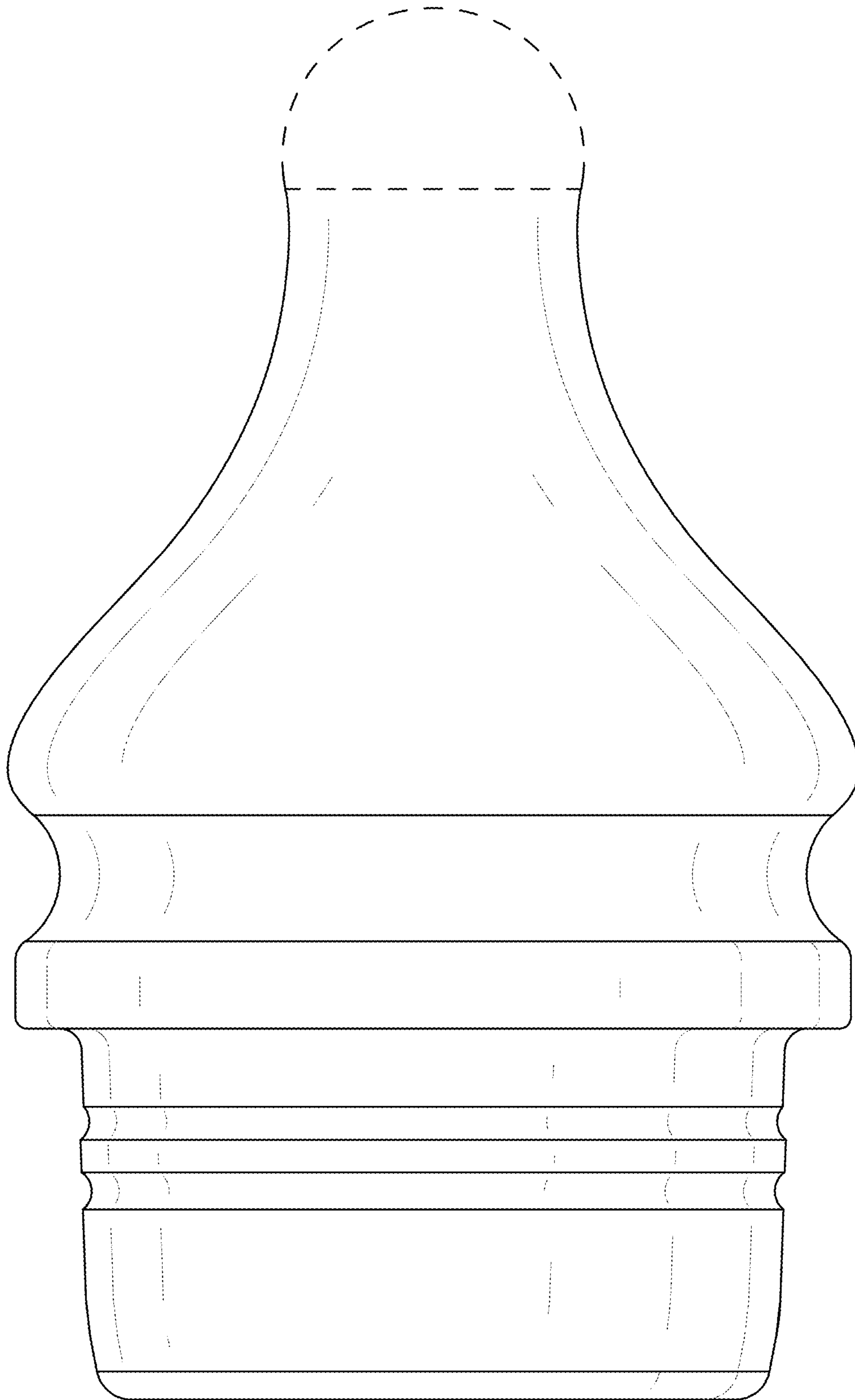


FIG.6



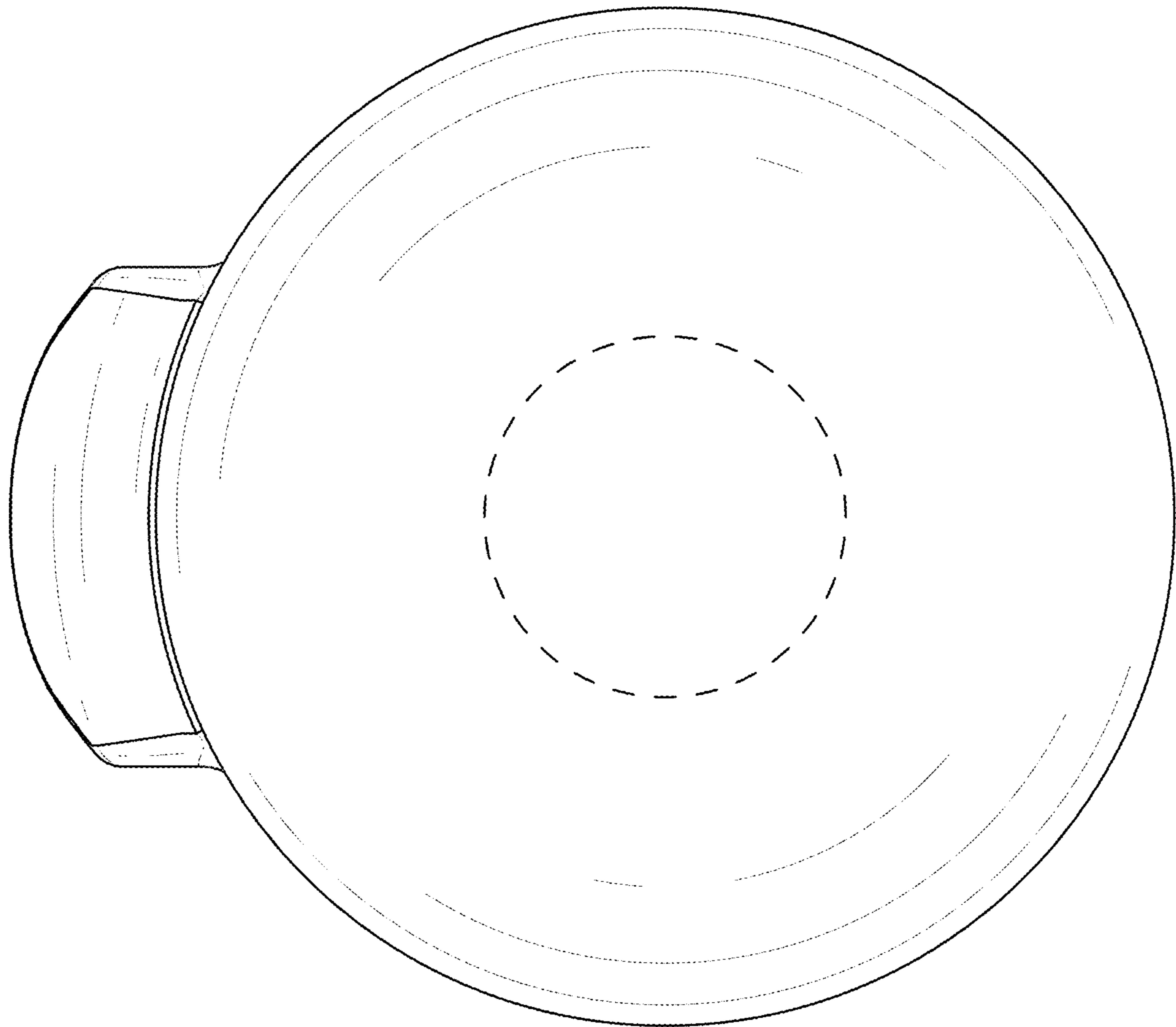


FIG.7

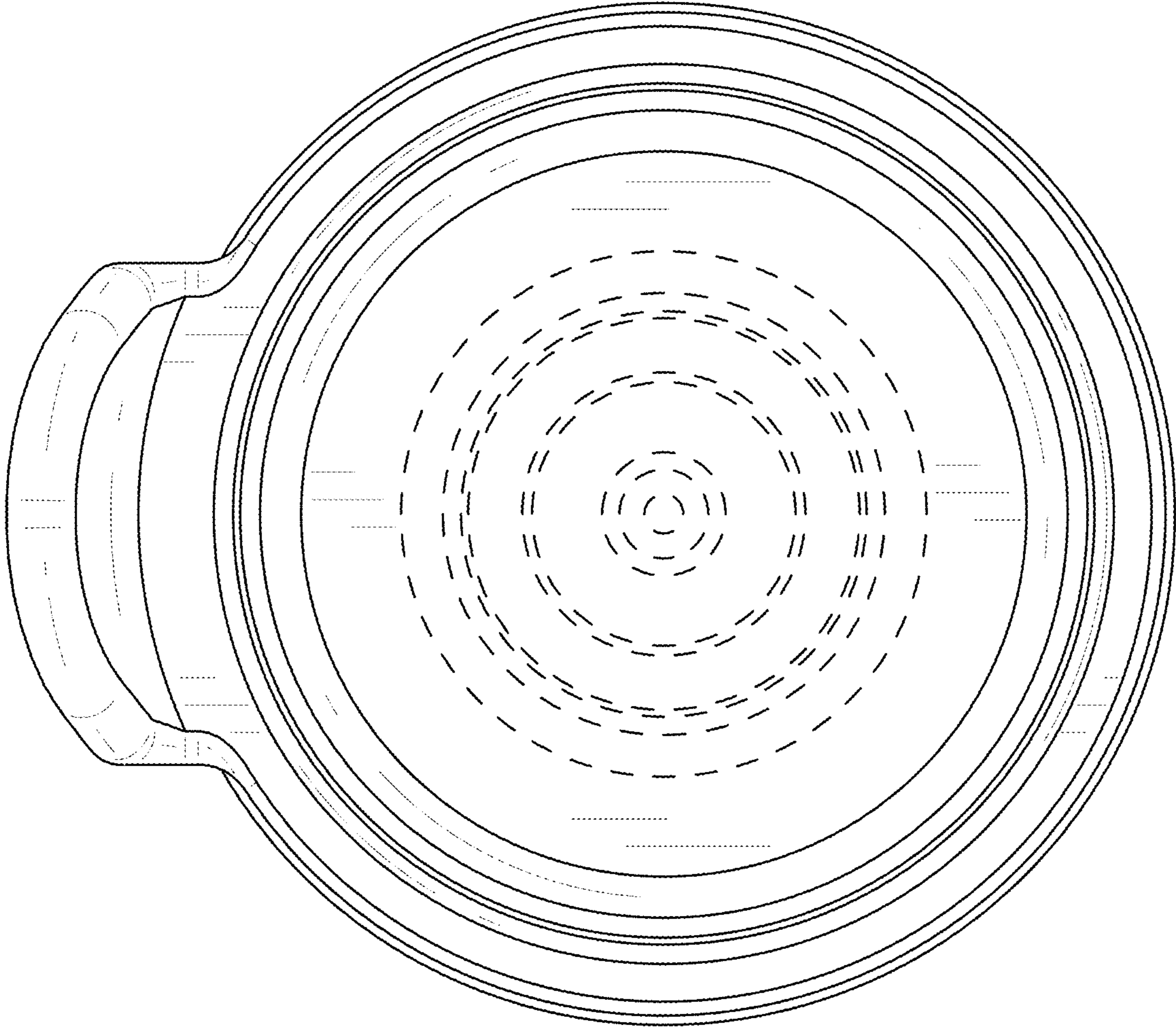


FIG.8