

US00D962453S

(12) **United States Design Patent**
He

(10) **Patent No.:** **US D962,453 S**

(45) **Date of Patent:** **** Aug. 30, 2022**

(54) **TOE SEPARATOR**

(71) Applicant: **Zhenghang He**, Shenzhen (CN)

(72) Inventor: **Zhenghang He**, Shenzhen (CN)

(**) Term: **15 Years**

(21) Appl. No.: **29/816,874**

(22) Filed: **Nov. 25, 2021**

(51) **LOC (13) Cl.** **28-03**

(52) **U.S. Cl.**

USPC **D24/192; D28/57**

(58) **Field of Classification Search**

USPC D24/188–190, 191–192; D28/56, 57

CPC A61F 5/0111; A61F 13/066; A61F 13/068;

A61F 5/05875; A45D 29/22; A45D 29/00

See application file for complete search history.

(56) **References Cited**

U.S. PATENT DOCUMENTS

1,163,490	A *	12/1915	Weil	A61F 5/019
					132/73
2,506,308	A *	5/1950	Maynier	A61F 5/019
					132/73
2,517,232	A *	8/1950	Patulski	A45D 29/22
					132/73
2,595,640	A *	5/1952	Christopoulos	A45D 29/22
					132/73
2,797,688	A *	7/1957	Crawford	A61F 13/067
					602/30
2,913,771	A *	11/1959	Murray	A61F 13/04
					264/258
2,949,112	A *	8/1960	Murray	A61F 5/019
					264/223
3,168,095	A *	2/1965	Magee	A61F 5/019
					602/30
3,299,894	A *	1/1967	Charlebois	A61F 13/068
					602/30
5,076,263	A *	12/1991	Funatogawa	A61H 1/0266
					132/73

D393,931	S	4/1998	Roe	
D415,858	S	10/1999	Funatogawa	
D428,673	S *	7/2000	Ikeda D28/57
D439,704	S	3/2001	Ikeda	
6,482,168	B1 *	11/2002	Betcher A61F 5/0118
				128/878
D468,056	S *	12/2002	Goldberg D28/56
D546,954	S *	7/2007	Takasaka D29/113
D556,381	S	11/2007	Kennedy	
D591,487	S *	5/2009	Hayek D2/916
D595,897	S	7/2009	Moldauer	
D600,818	S	9/2009	Yang	
D612,946	S *	3/2010	Ferri D24/200
D632,013	S	2/2011	Irwin	
D661,429	S	6/2012	Huthmaker	
D665,089	S *	8/2012	Brown D24/190
D696,819	S	12/2013	Huthmaker	
D707,362	S *	6/2014	Cohen D24/200

(Continued)

FOREIGN PATENT DOCUMENTS

IN 8204250000-2000 * 1/2019

Primary Examiner — T Chase Nelson

Assistant Examiner — Kelly L Gross

(74) *Attorney, Agent, or Firm* — Rumit Ranjit Kanakia

(57) **CLAIM**

The ornamental design for a toe separator, as shown and described.

DESCRIPTION

FIG. 1 is a perspective view of a toe separator showing my new design;

FIG. 2 is a front elevational view thereof;

FIG. 3 is a rear elevational view thereof;

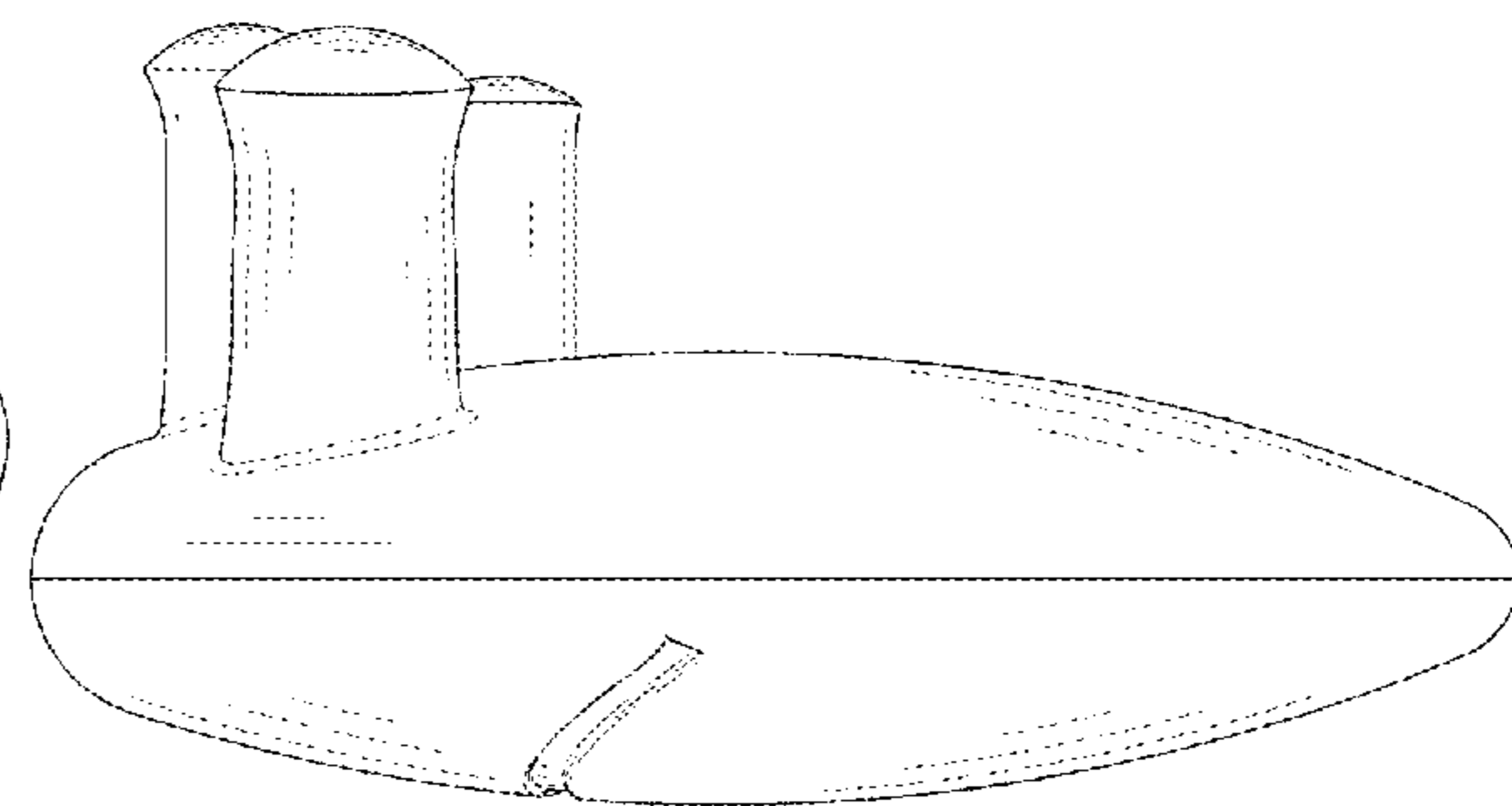
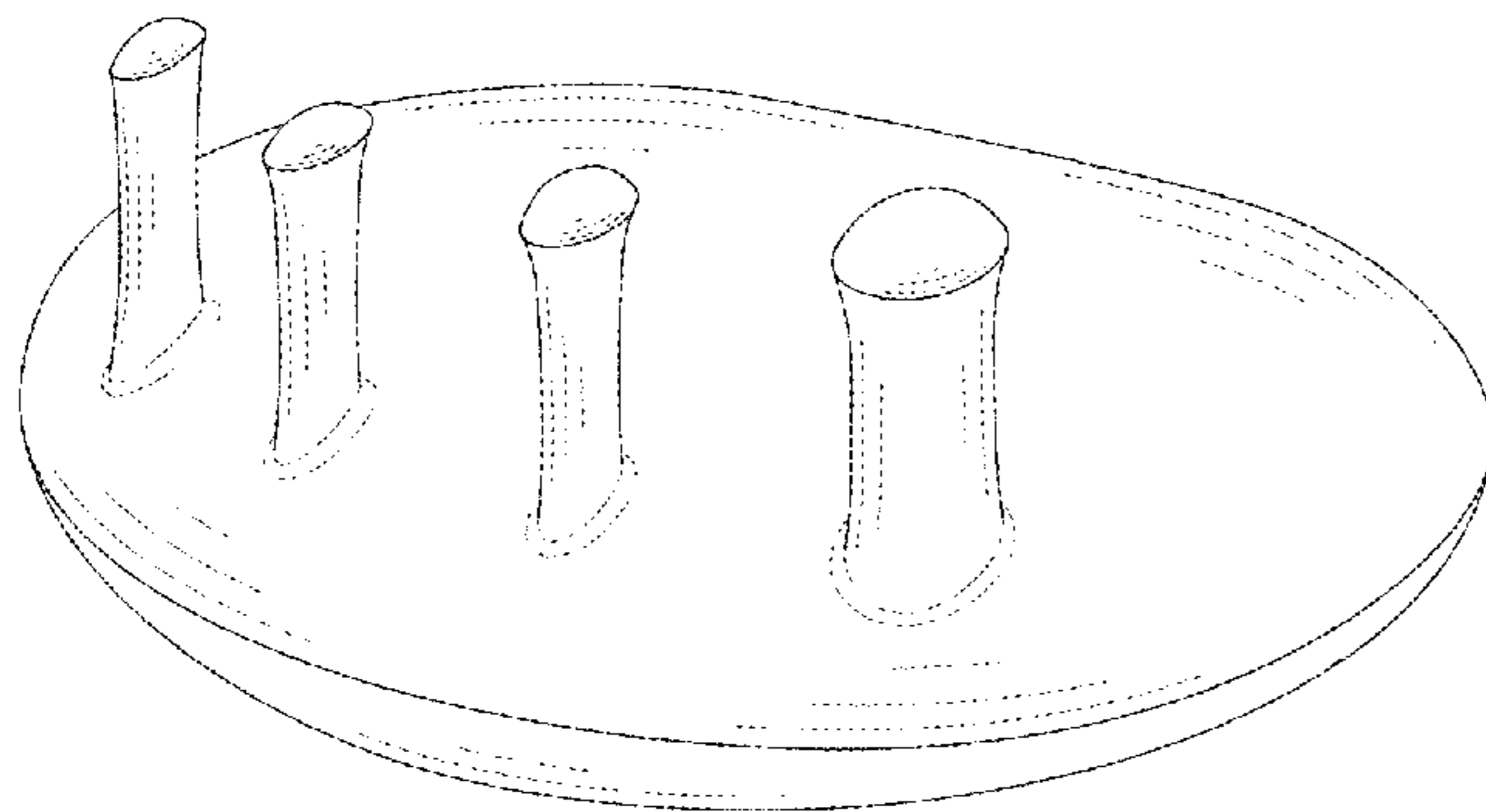
FIG. 4 is a left elevational view thereof;

FIG. 5 is a right side view thereof;

FIG. 6 is a top side view thereof; and,

FIG. 7 is a bottom plan view thereof.

1 Claim, 7 Drawing Sheets



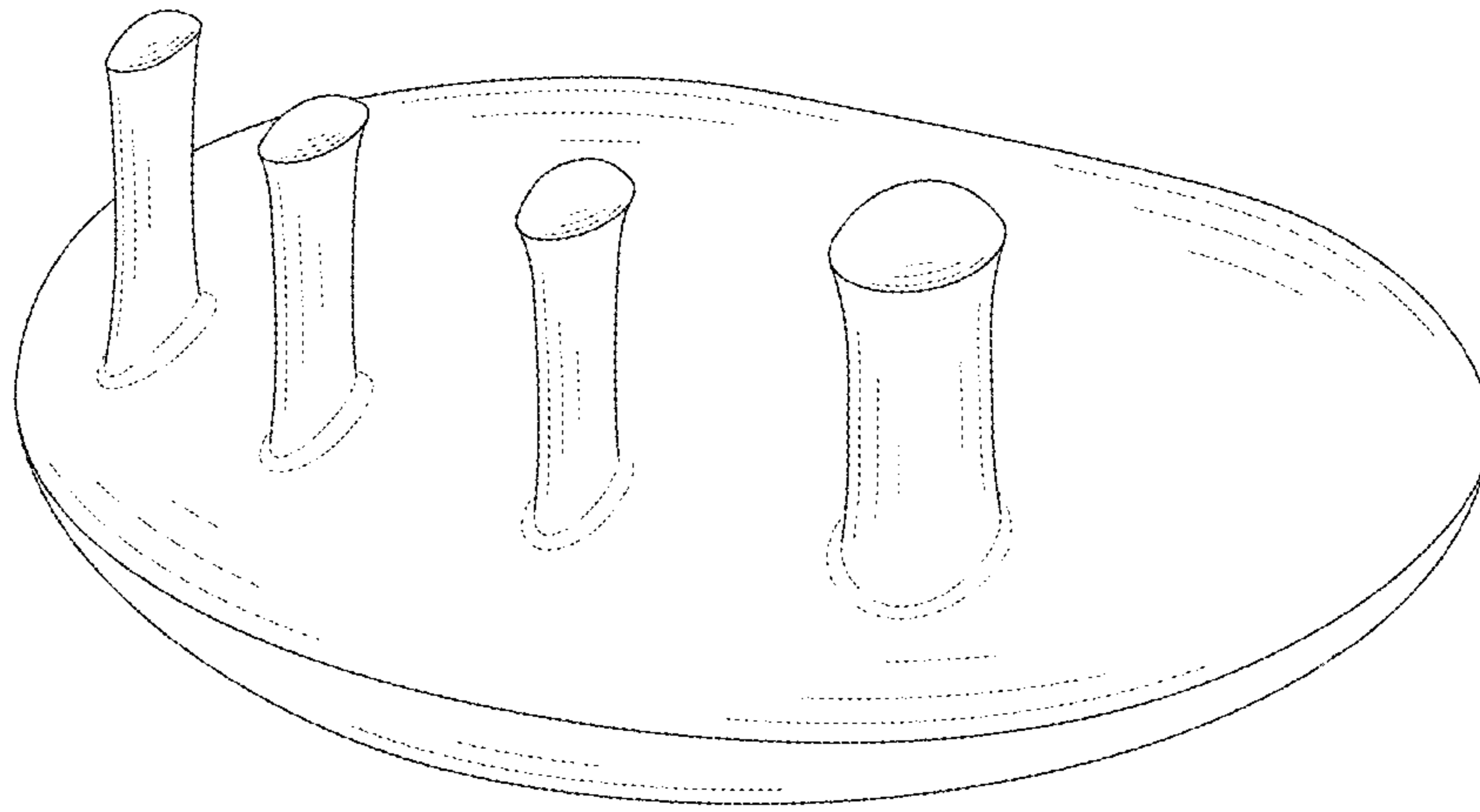


FIG. 1

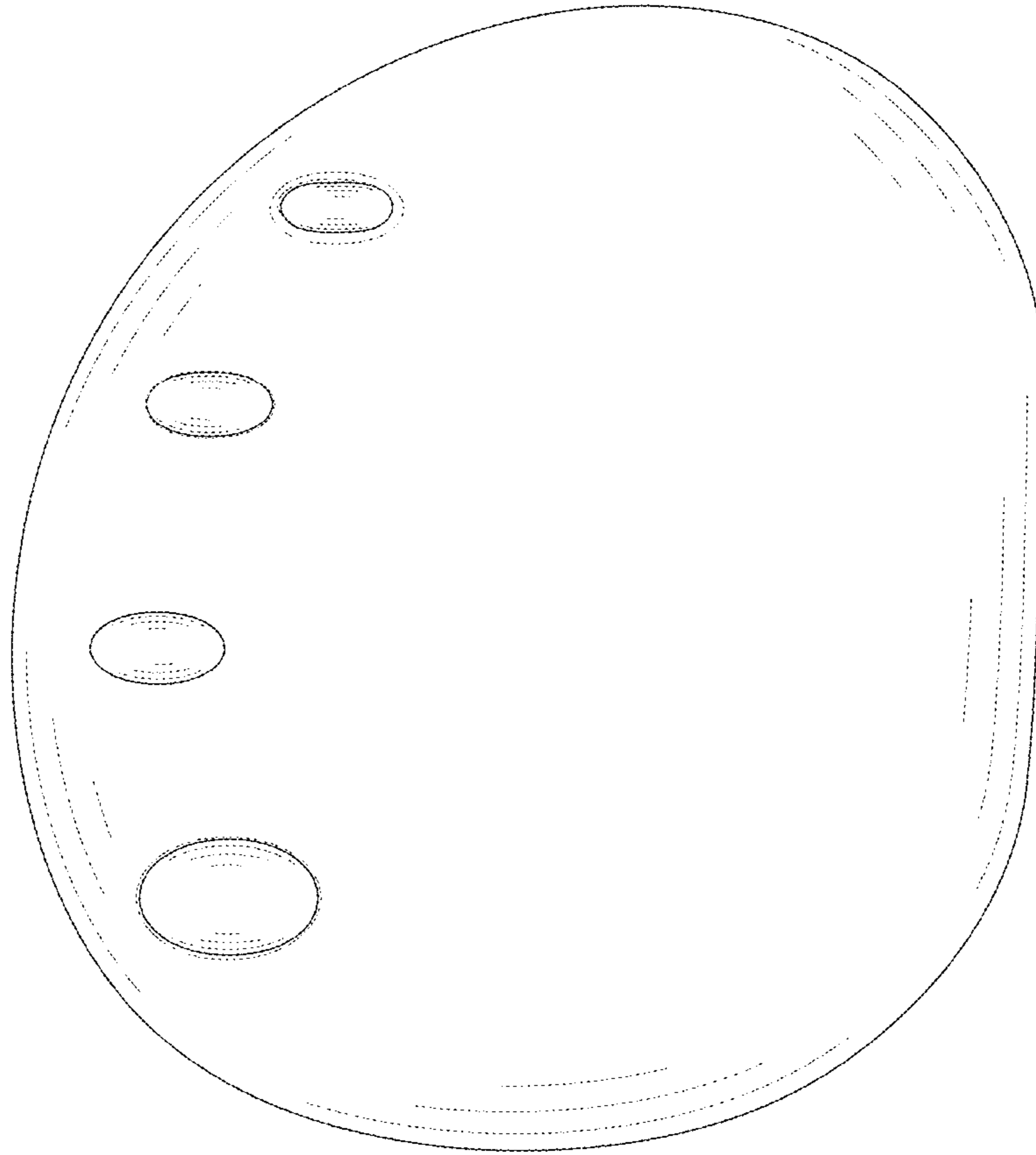


FIG. 2

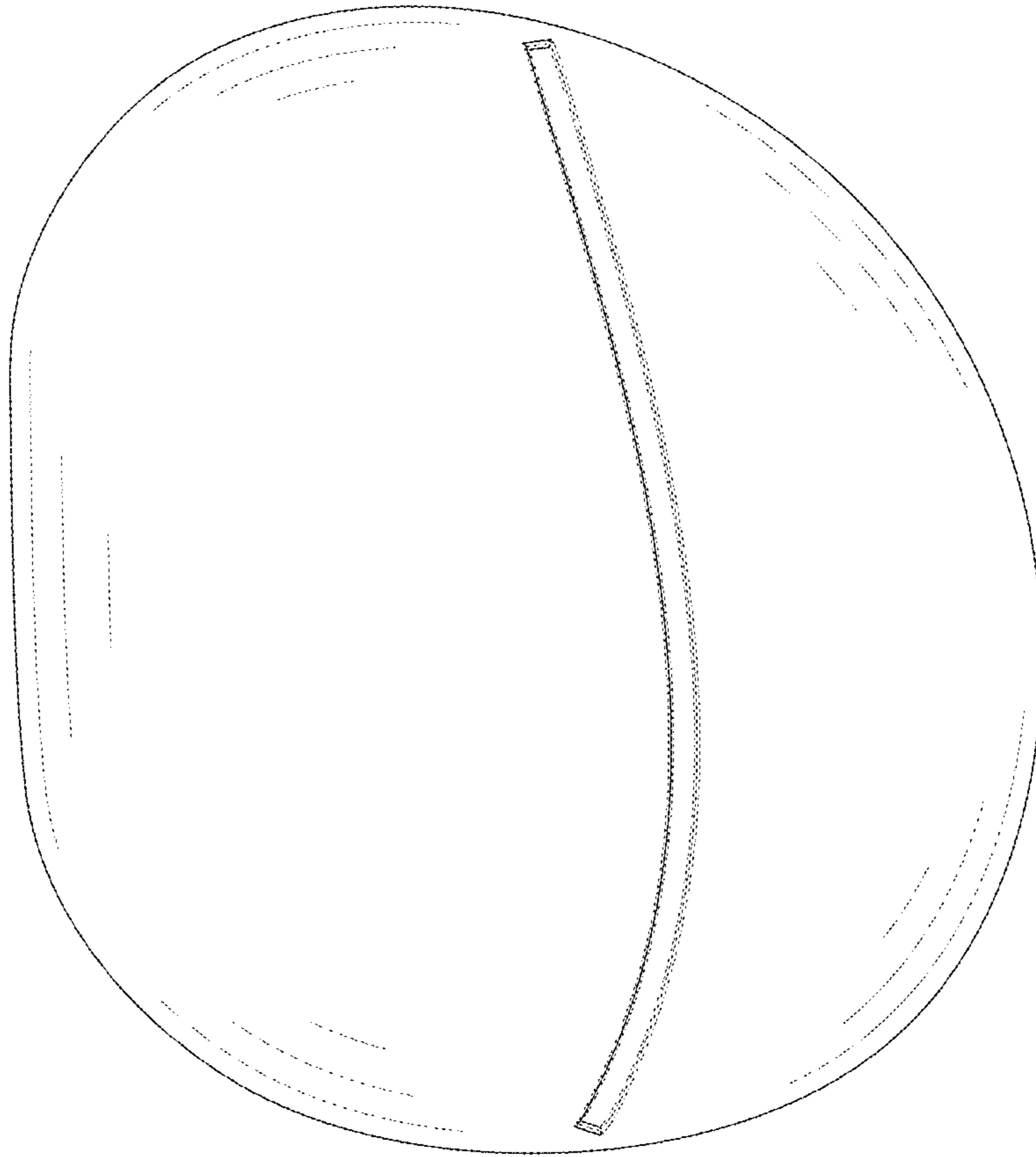


FIG. 3

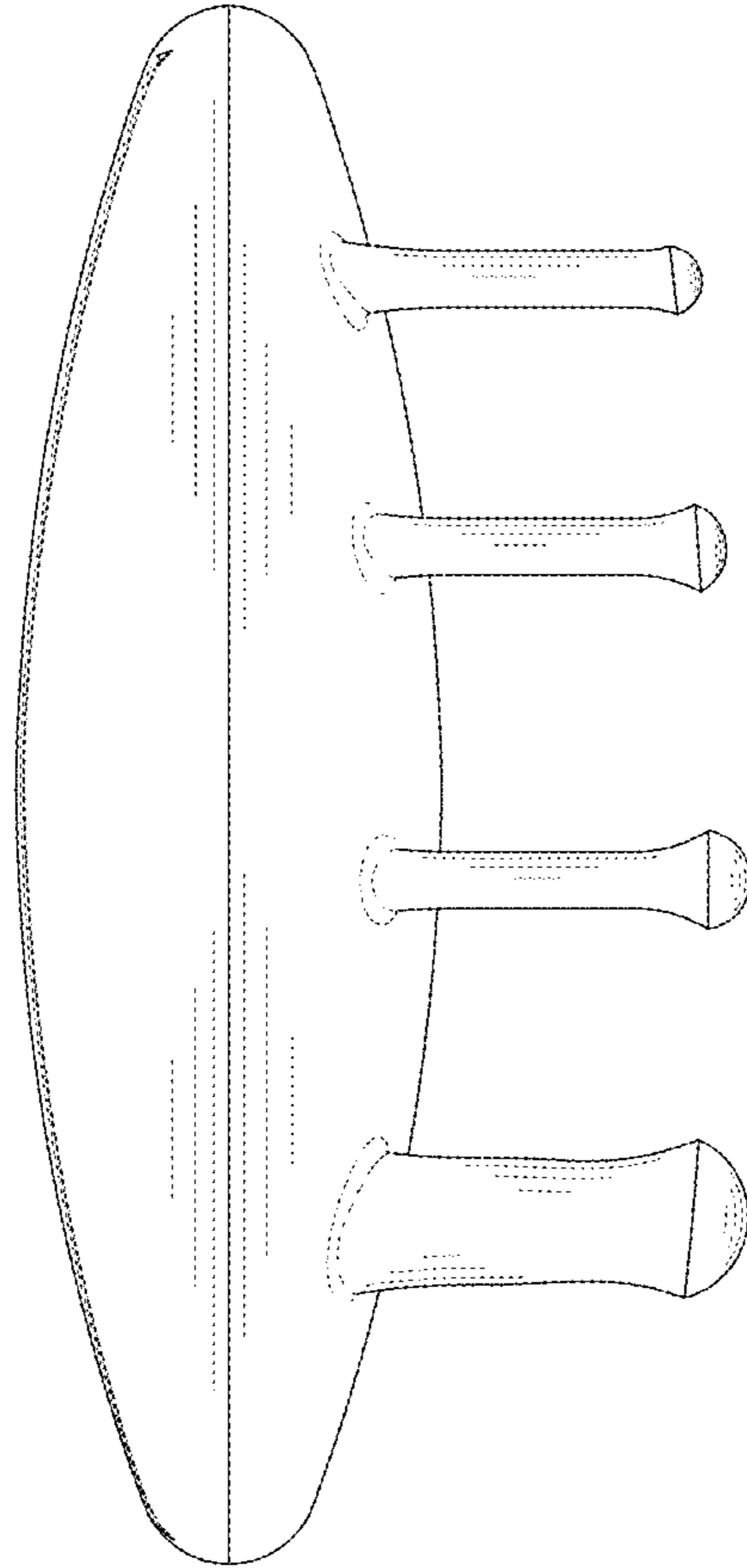


FIG. 4

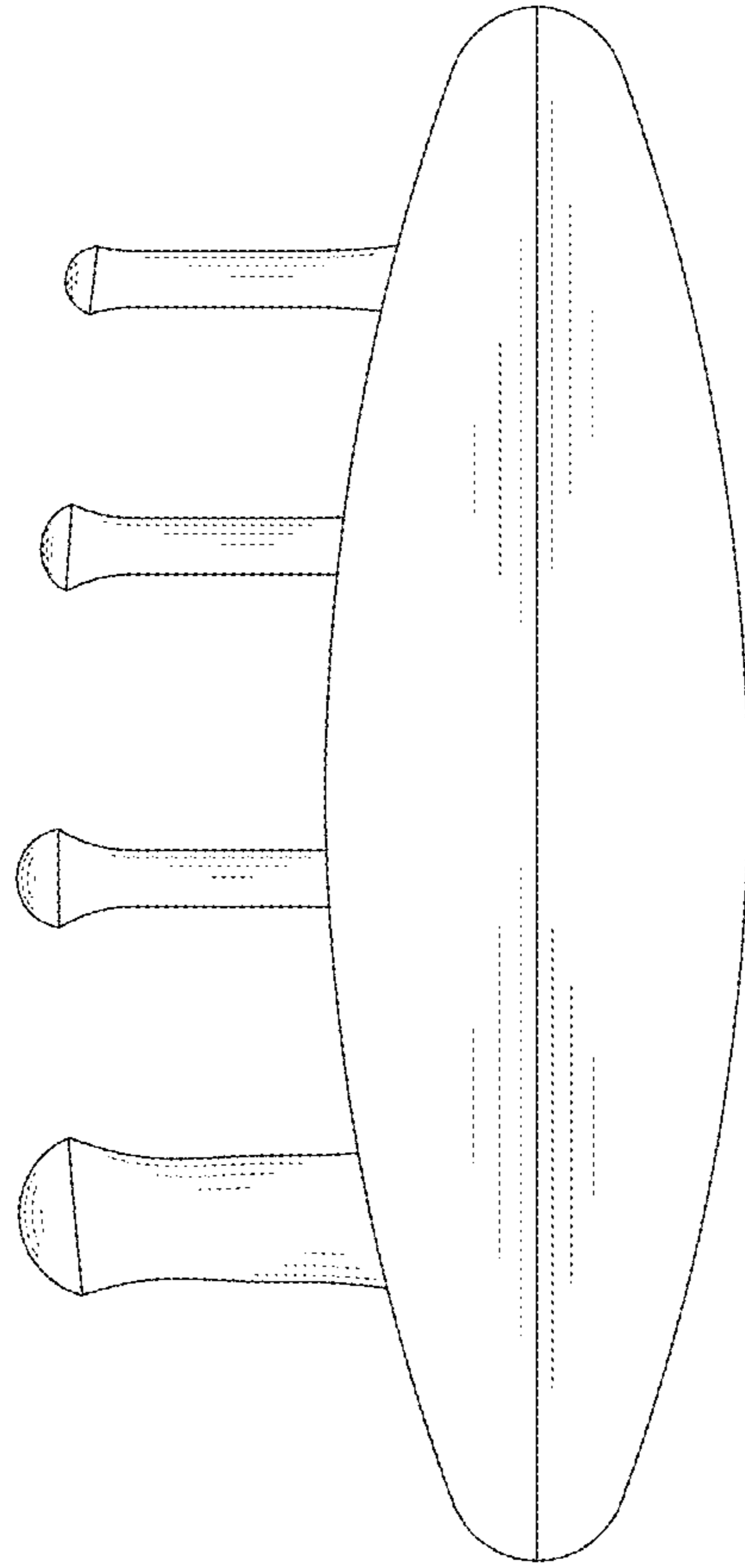


FIG. 5

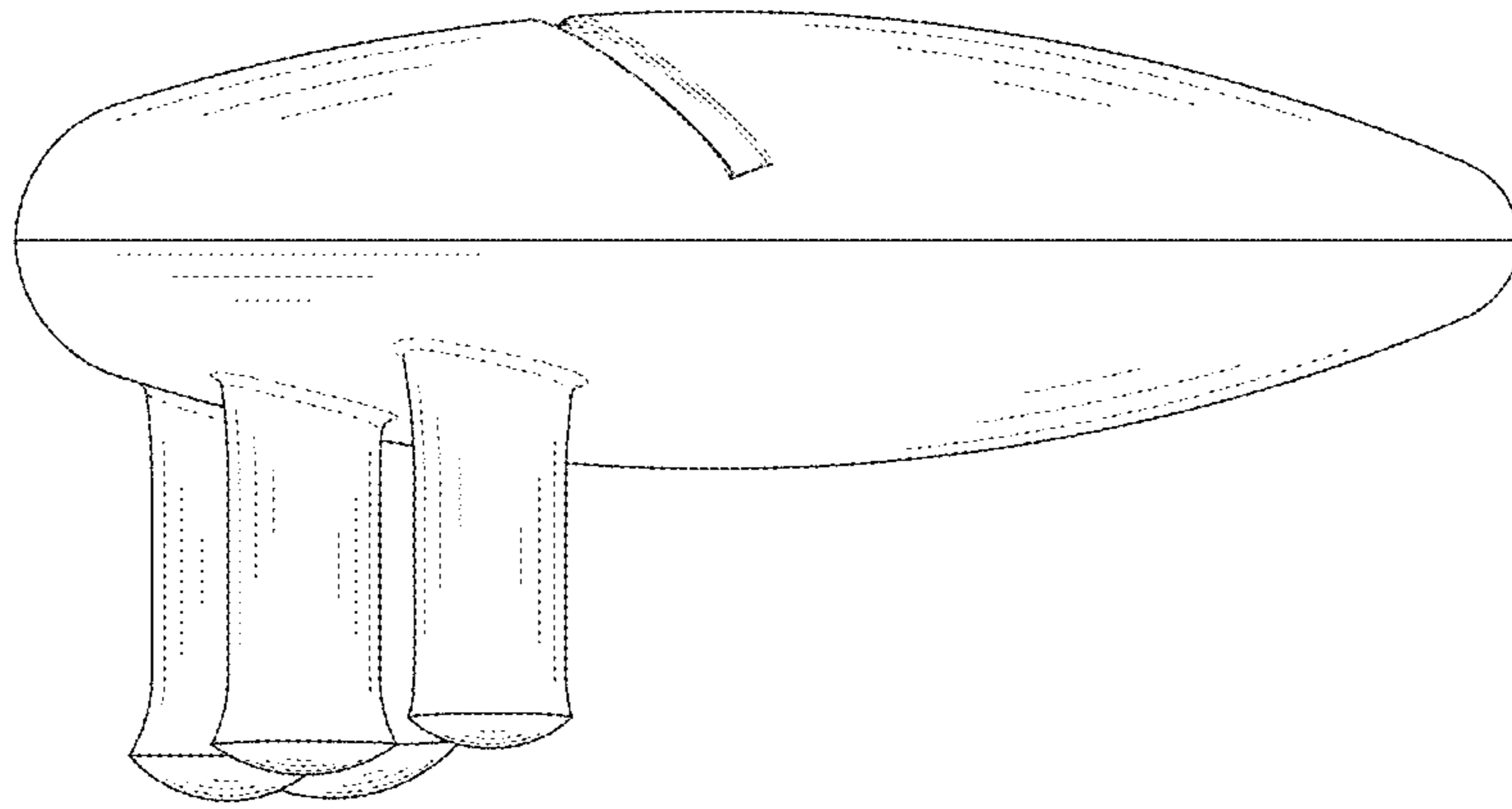


FIG. 6

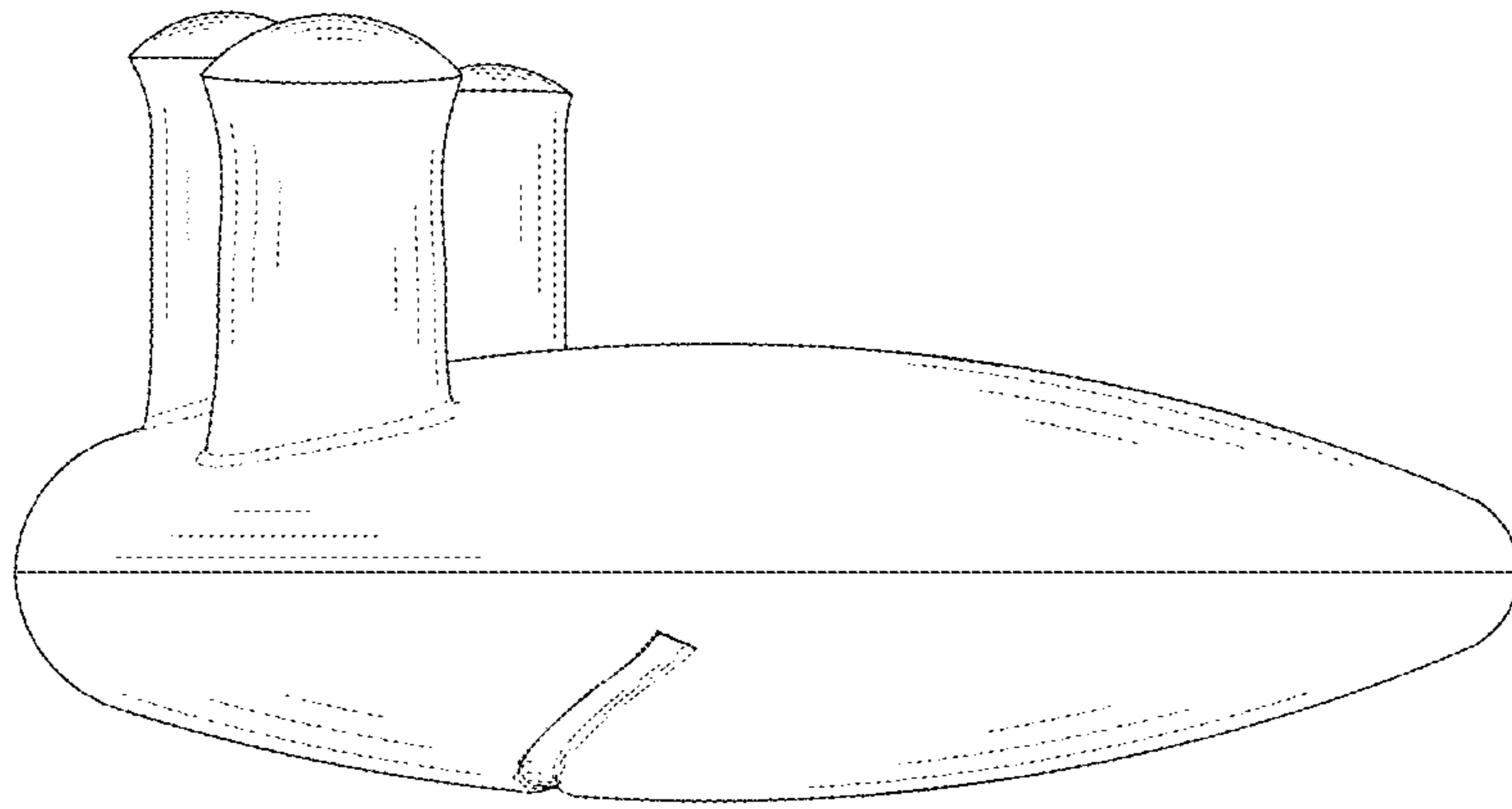


FIG. 7