

US00D962447S

(12) **United States Design Patent**
Farrell

(10) **Patent No.:** **US D962,447 S**

(45) **Date of Patent:** **** Aug. 30, 2022**

(54) **ORAL APPLIANCE**

(71) Applicant: **Christopher John Farrell**, Helensvale (AU)

(72) Inventor: **Christopher John Farrell**, Helensvale (AU)

(**) Term: **15 Years**

(21) Appl. No.: **29/730,907**

(22) Filed: **Apr. 9, 2020**

(30) **Foreign Application Priority Data**

Oct. 11, 2019 (AU) 201915869

(51) **LOC (13) Cl.** **24-02**

(52) **U.S. Cl.**
USPC **24/181**

(58) **Field of Classification Search**
USPC D24/176-182; D29/108
CPC A61F 5/566; A61F 5/56; A61F 2005/563;
A63B 71/085; A63B 2071/086; A61C
7/08; A61C 7/36
See application file for complete search history.

(56) **References Cited**

U.S. PATENT DOCUMENTS

- 5,092,346 A 3/1992 Hays et al.
- 5,792,067 A 8/1998 Karell
- 8,448,282 B2* 5/2013 Stapelbroek A61C 7/08
15/22.1
- 9,717,975 B2* 8/2017 Evans A63B 71/085
- D799,049 S * 10/2017 Farrell D24/181
- D800,317 S * 10/2017 Farrell D24/181
- D867,673 S * 11/2019 Turkbaz D29/108

(Continued)

FOREIGN PATENT DOCUMENTS

- WO 2012155214 A1 11/2012
- WO 2015149127 A1 10/2015

(Continued)

Primary Examiner — Wan Laymon

(74) *Attorney, Agent, or Firm* — Lerner, David, Littenberg, Krumholz & Mentlik, LLP

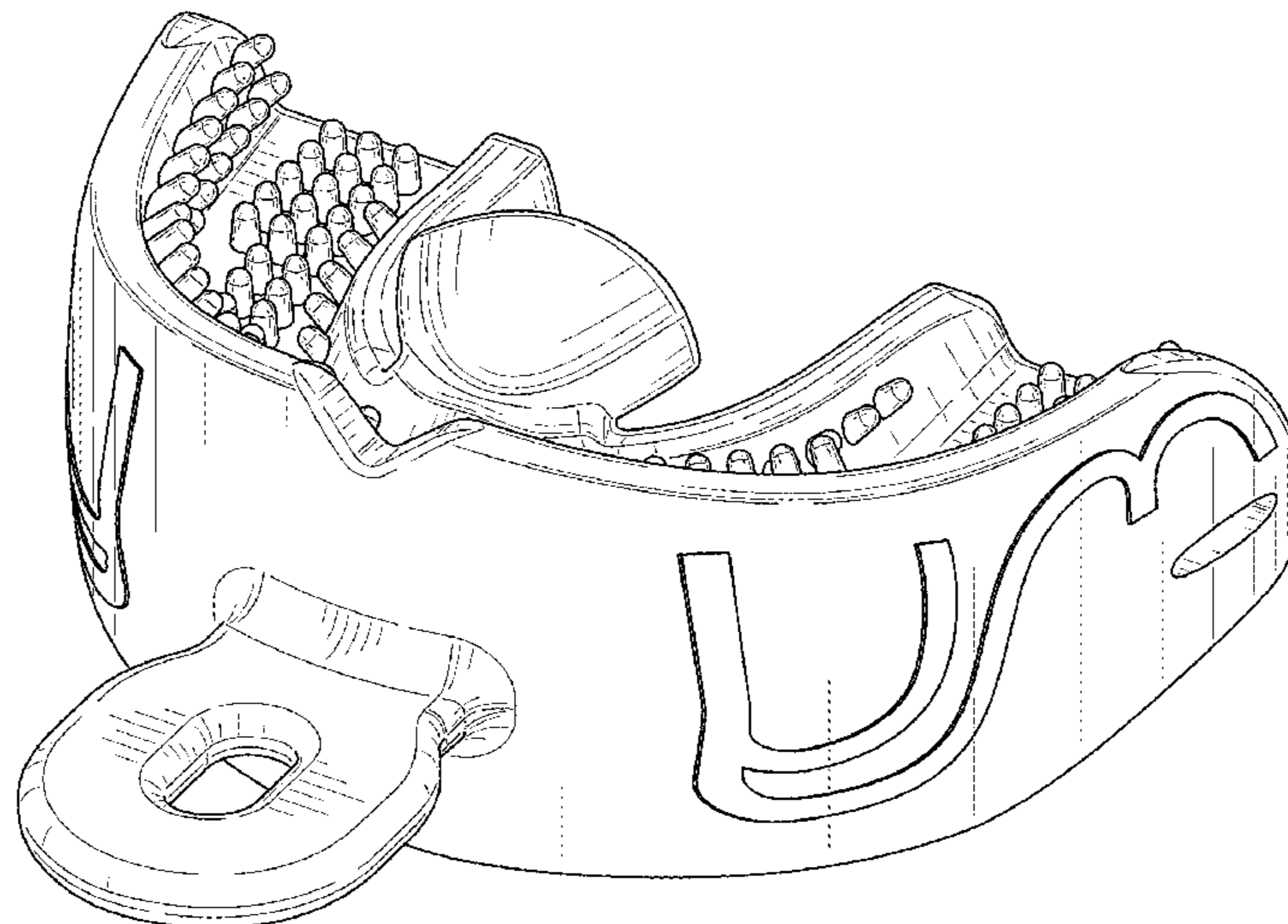
(57) **CLAIM**

The ornamental design for an oral appliance, as shown and described.

DESCRIPTION

FIG. 1 is a front perspective view of an oral appliance of a first embodiment of the design;
 FIG. 2 is a front view of the oral appliance as shown in FIG. 1;
 FIG. 3 is a rear view of the oral appliance as shown in FIG. 1;
 FIG. 4 is a right side view of the oral appliance as shown in FIG. 1;
 FIG. 5 is a left side view of the oral appliance as shown in FIG. 1;
 FIG. 6 is a top plan view of the oral appliance as shown in FIG. 1;
 FIG. 7 is a bottom plan view of the oral appliance as shown in FIG. 1;
 FIG. 8 is a front perspective view of an oral appliance of a second embodiment of the design;
 FIG. 9 is a front view of the oral appliance as shown in FIG. 8;
 FIG. 10 is a rear view of the oral appliance as shown in FIG. 8;
 FIG. 11 is a right side view of the oral appliance as shown in FIG. 8;
 FIG. 12 is a left side view of the oral appliance as shown in FIG. 8;
 FIG. 13 is a top plan view of the oral appliance as shown in FIG. 8; and,
 FIG. 14 is a bottom plan view of the oral appliance as shown in FIG. 8.

1 Claim, 14 Drawing Sheets



(56)

References Cited

U.S. PATENT DOCUMENTS

D869,774 S * 12/2019 Turkbaz D29/108
D904,620 S * 12/2020 Farrell D24/181
D909,586 S * 2/2021 Farrell D24/181
D938,043 S * 12/2021 Farrell D24/181
2008/0025758 A1 1/2008 Sato
2010/0311003 A1 12/2010 Kozlov
2018/0078405 A1* 3/2018 Farrell A61F 5/566
2020/0215384 A1* 7/2020 Farrell A61C 7/08
2021/0162156 A1* 6/2021 Farrell A61C 7/36

FOREIGN PATENT DOCUMENTS

WO 2017020079 A1 2/2017
WO 2017165918 A1 10/2017

* cited by examiner

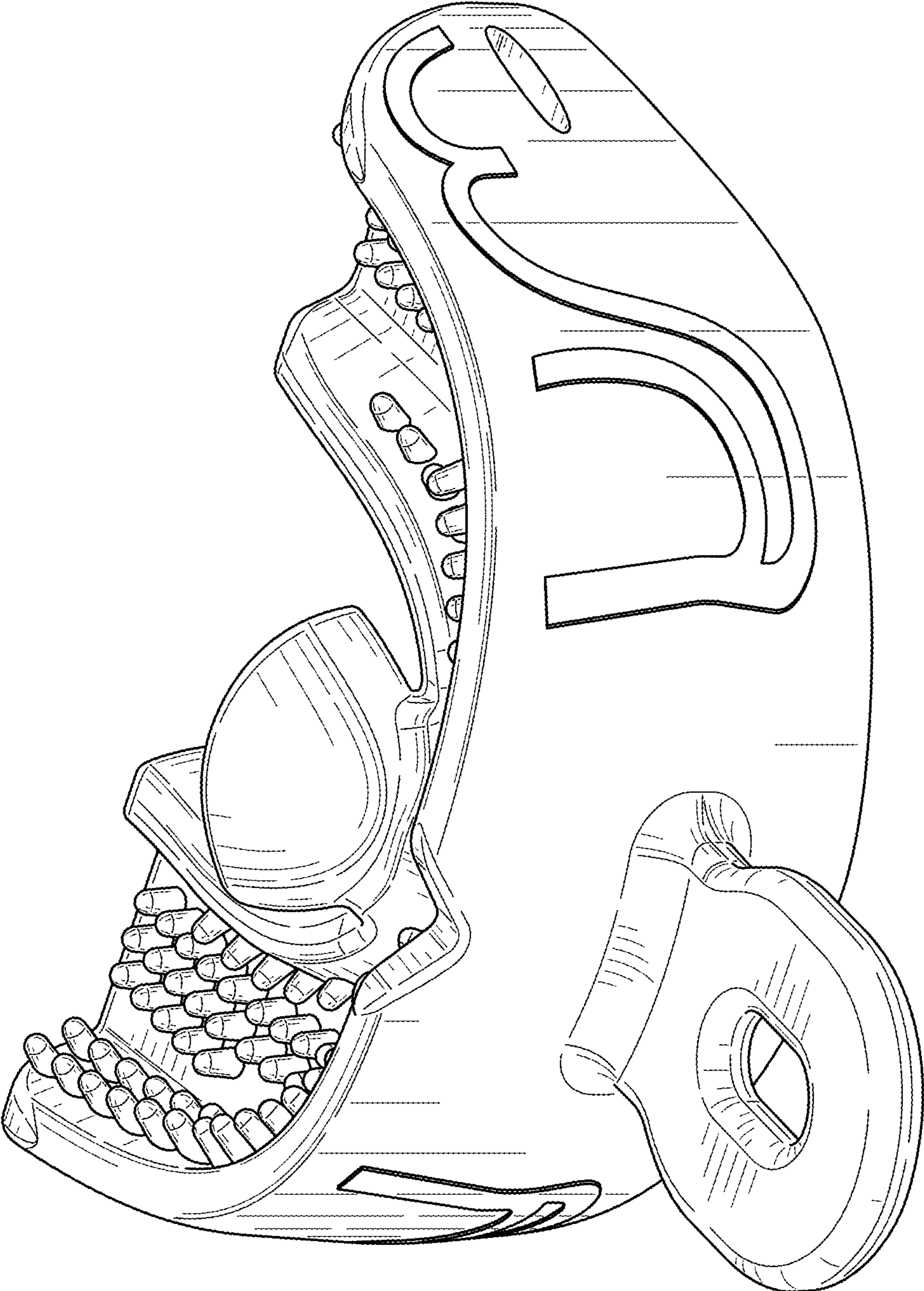


FIG. 1

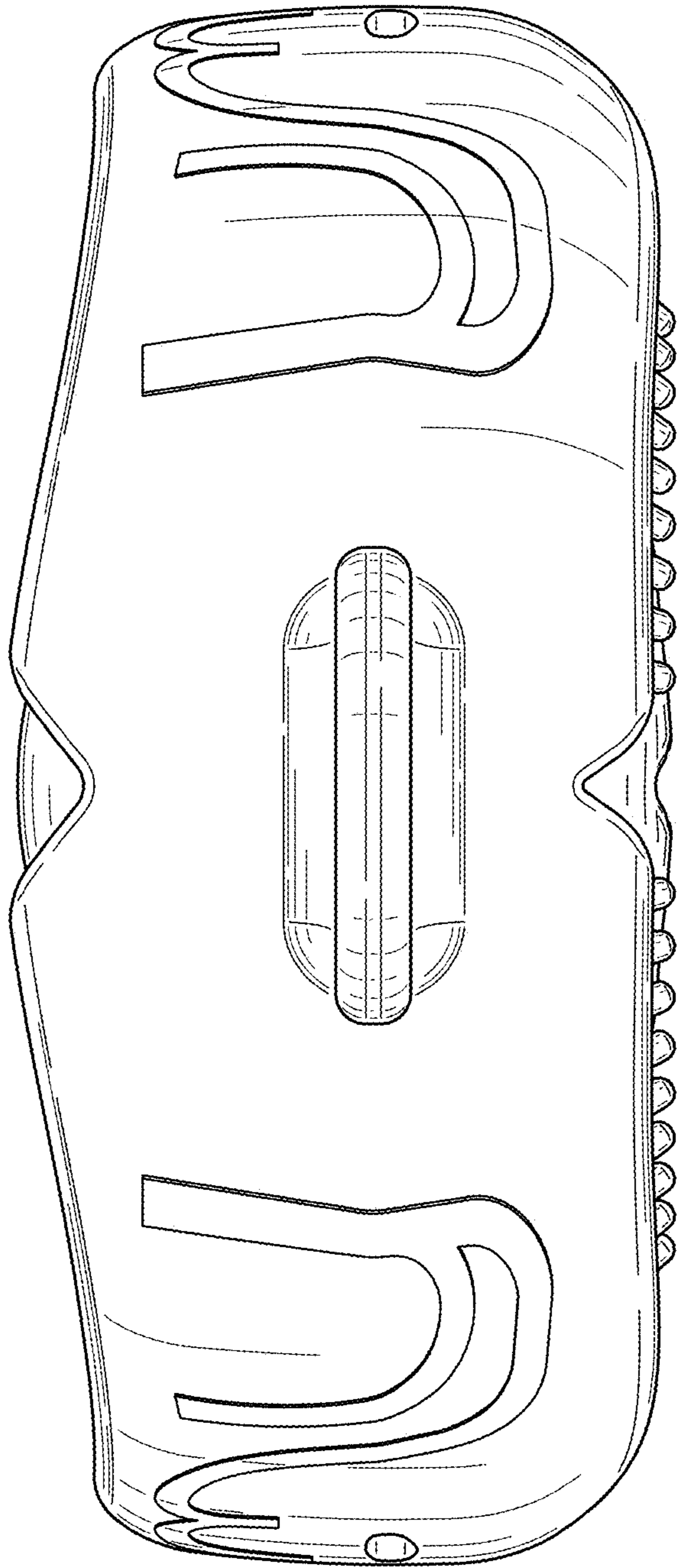


FIG. 2

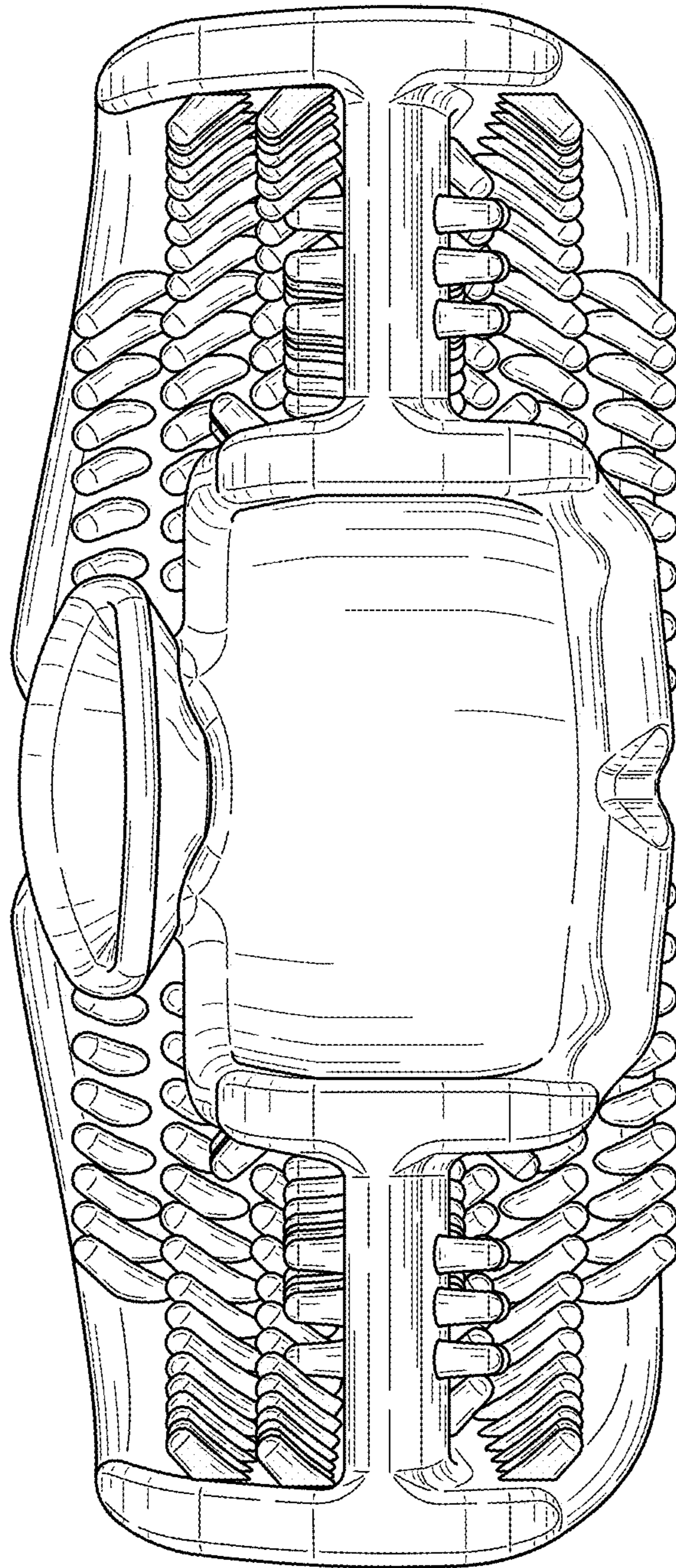


FIG. 3

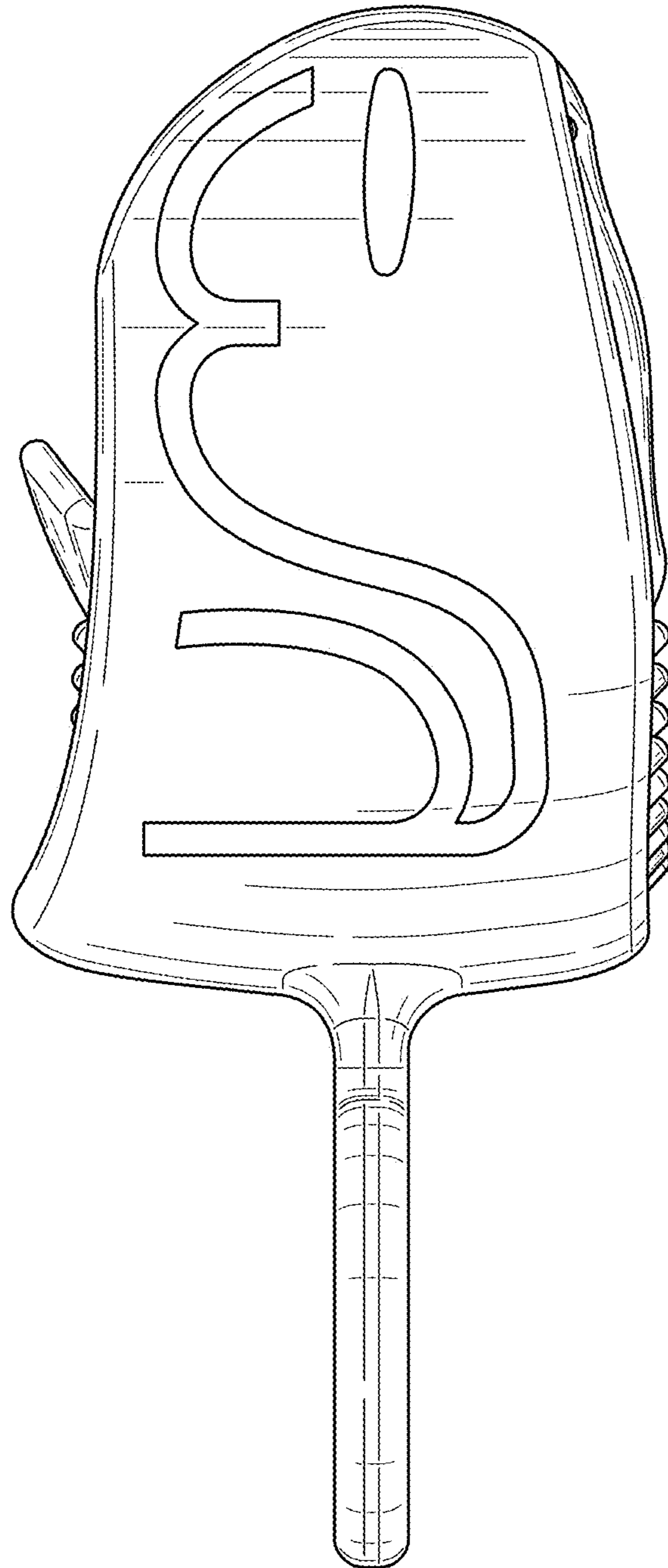


FIG. 4

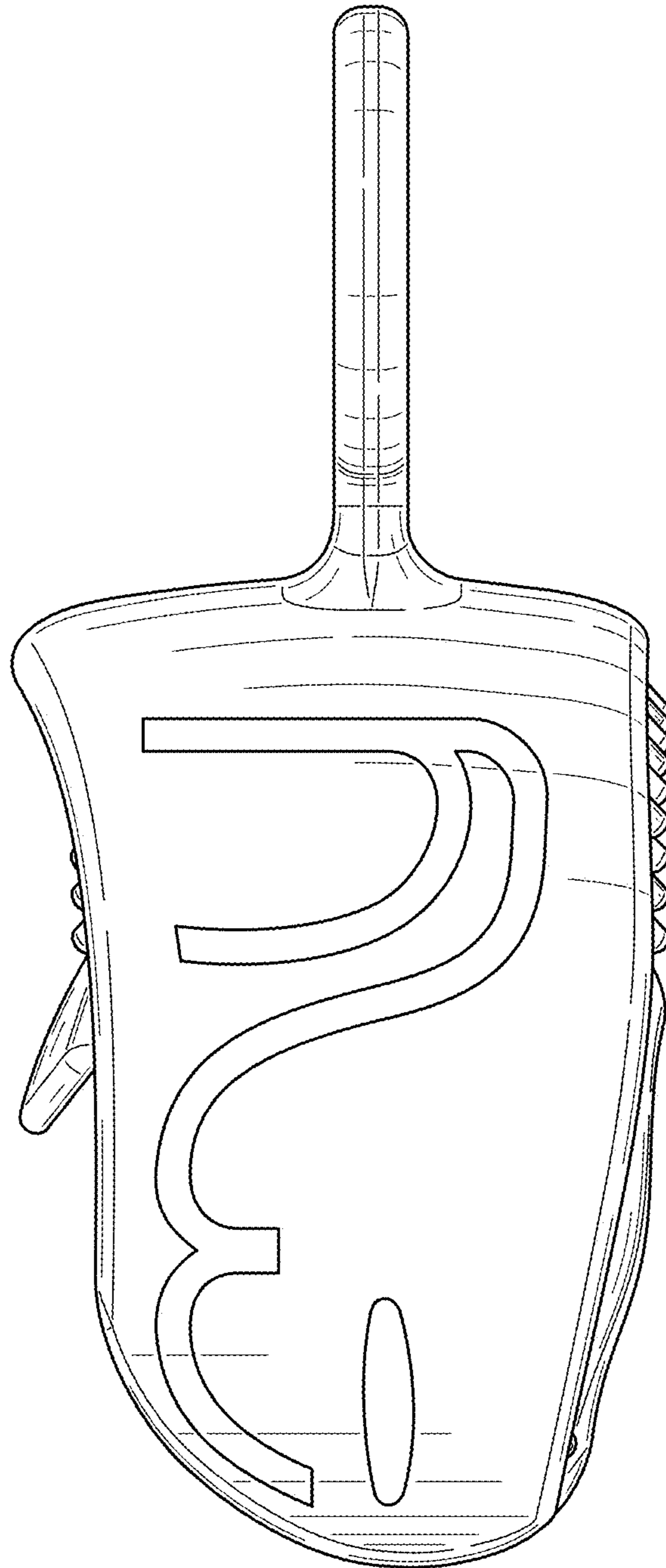


FIG. 5

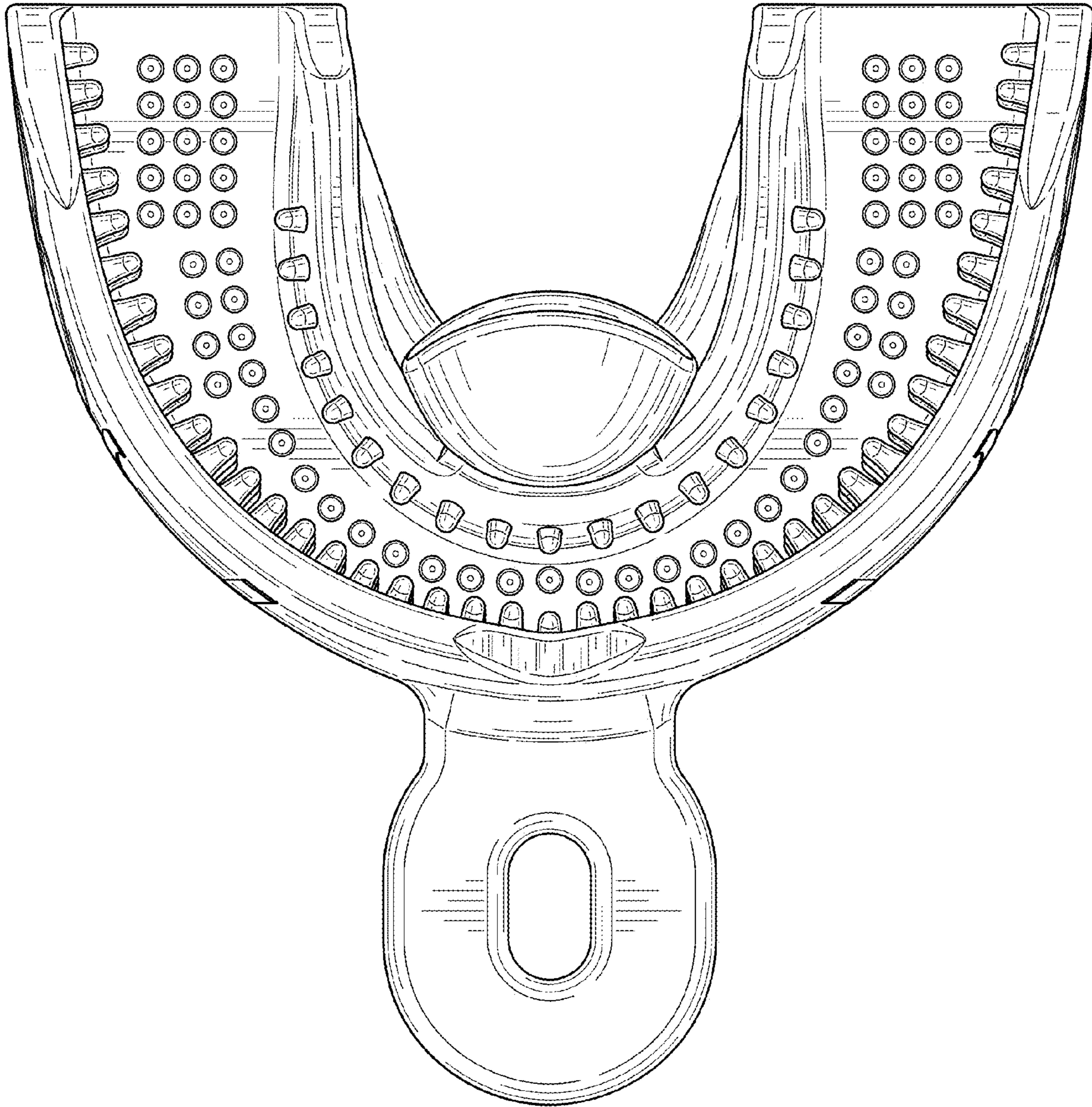


FIG. 6

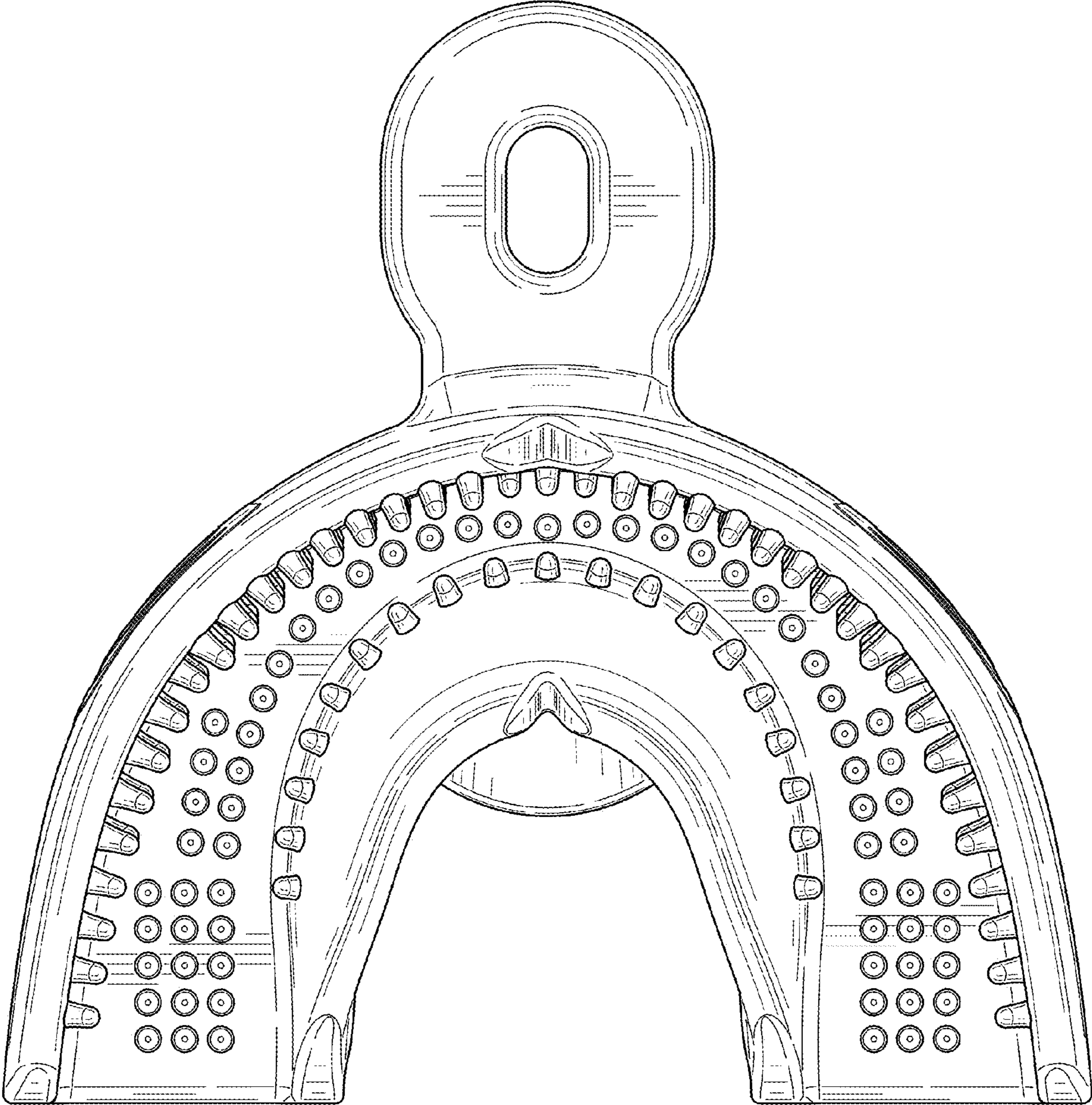


FIG. 7

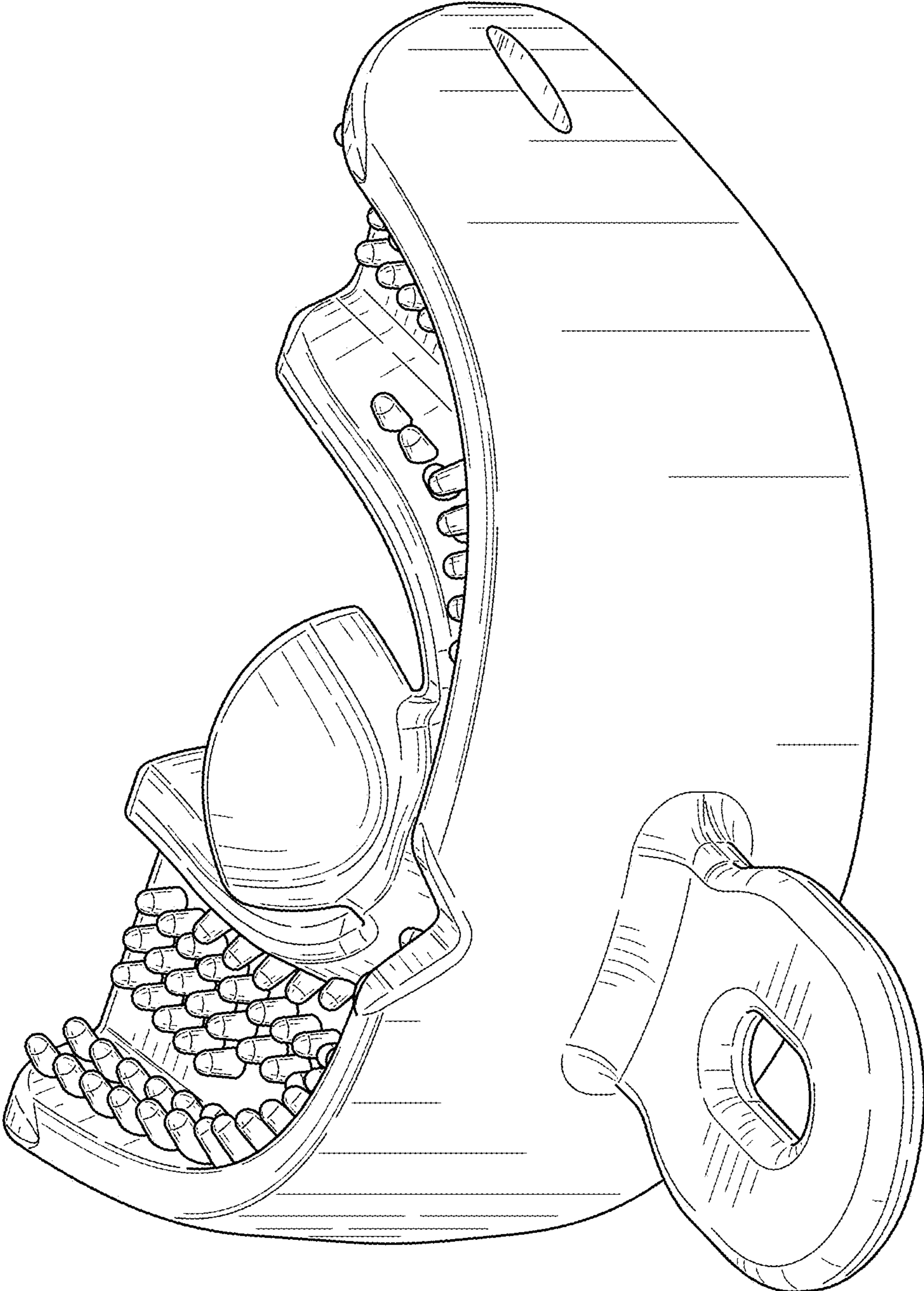


FIG. 8

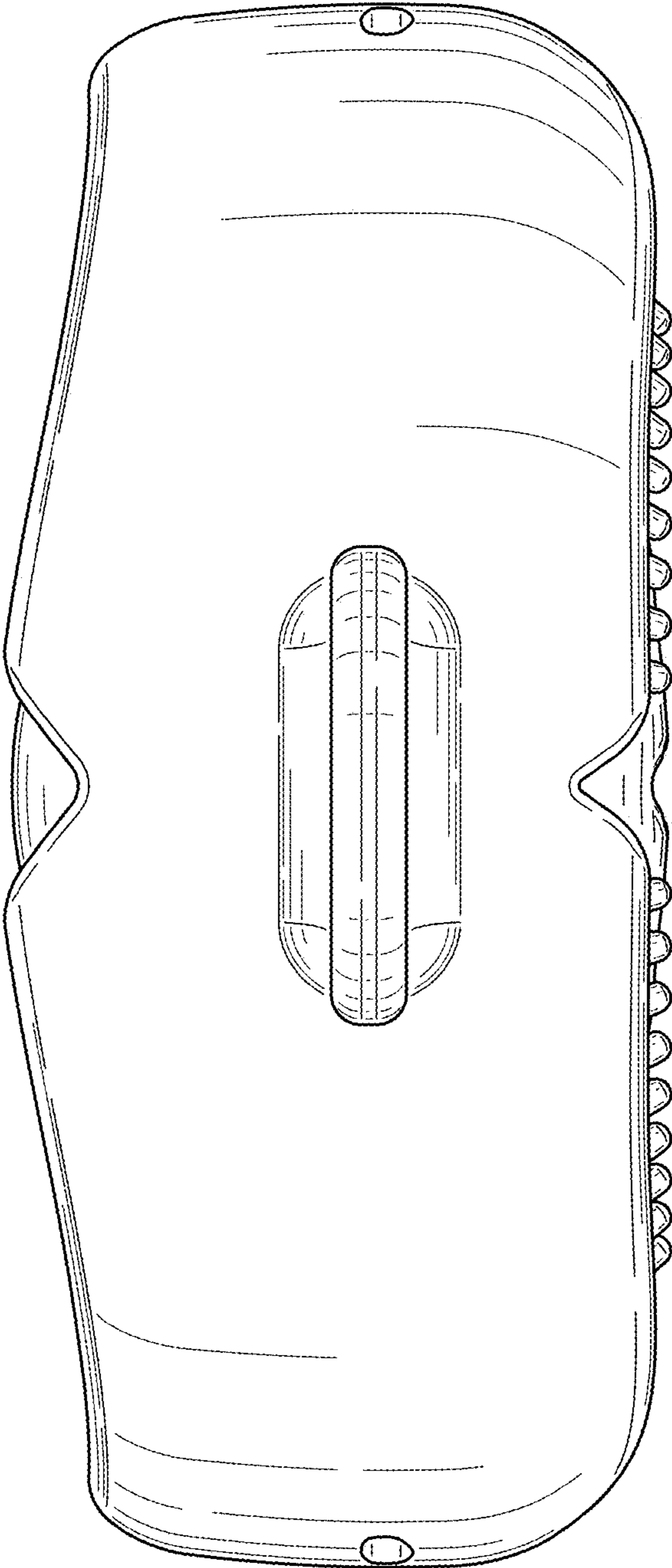


FIG. 9

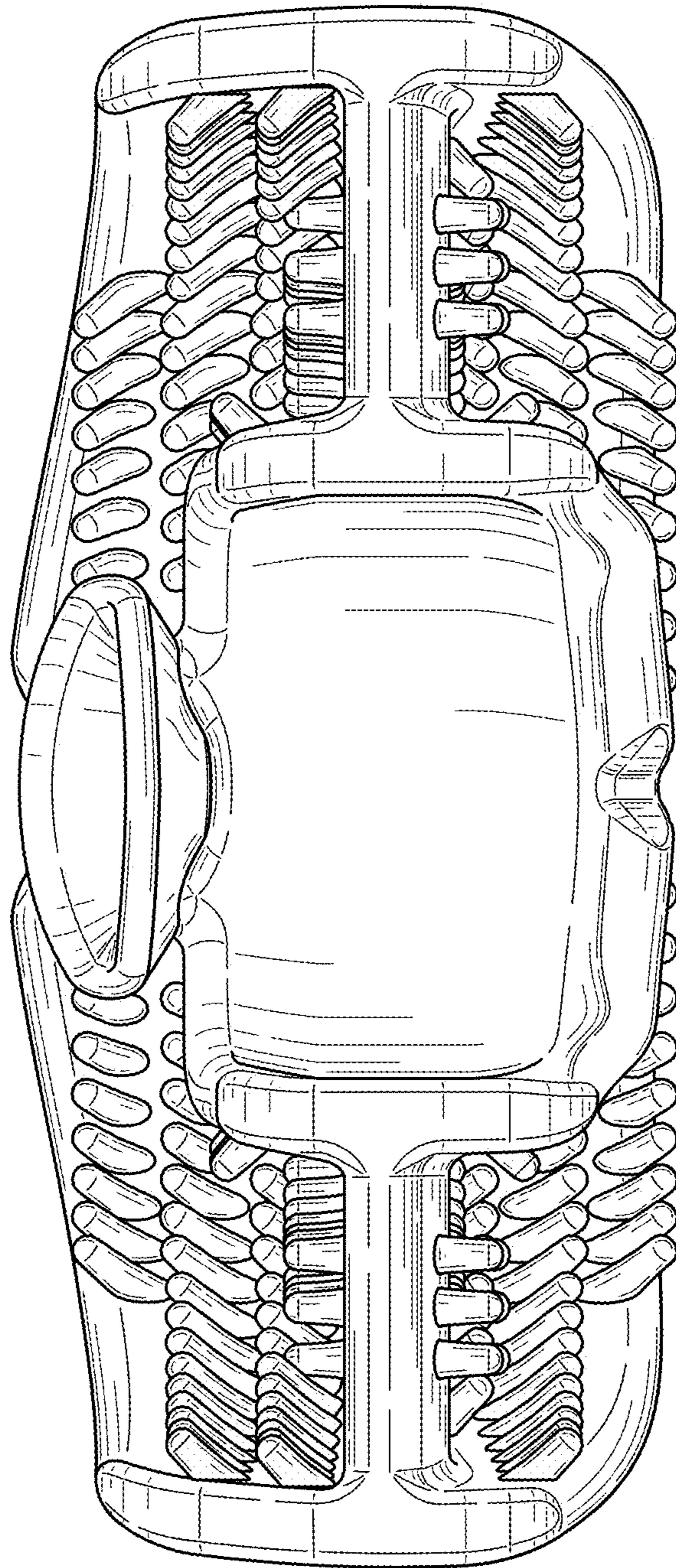


FIG. 10

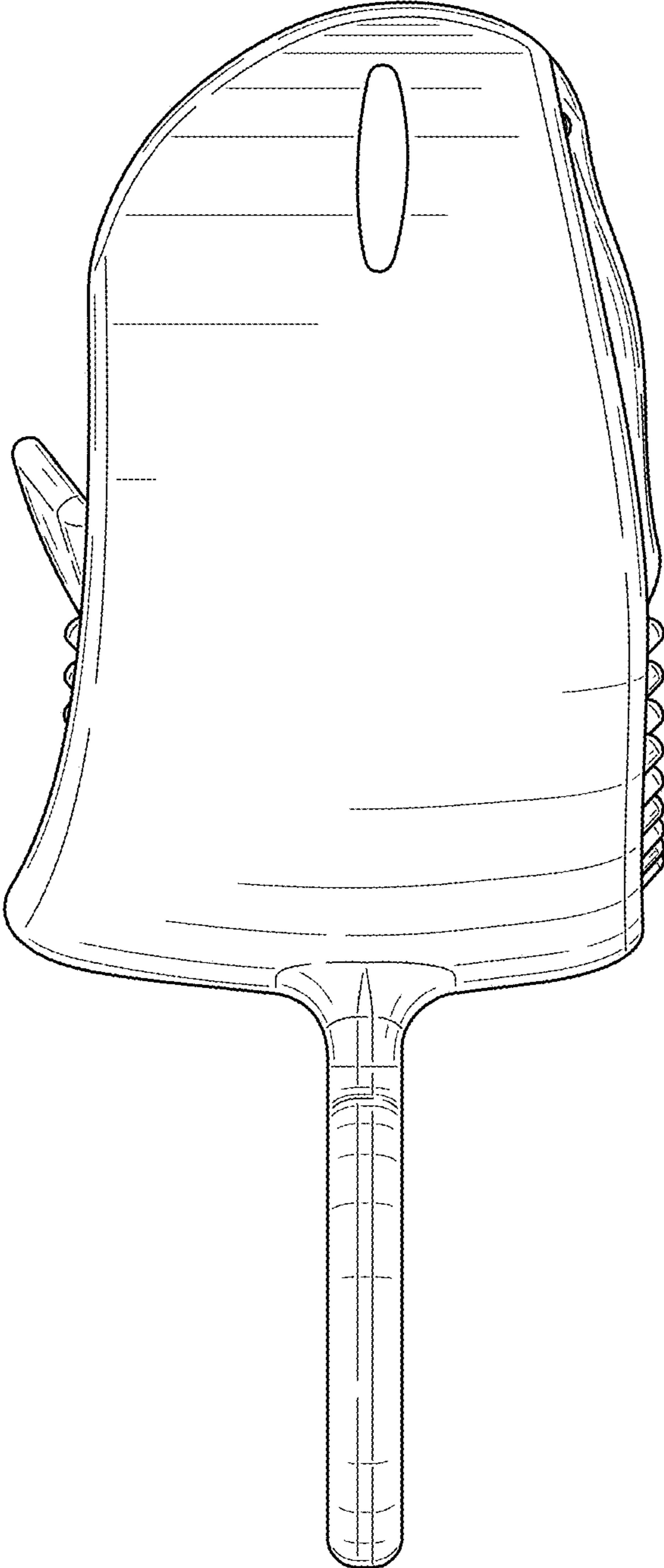


FIG. 11

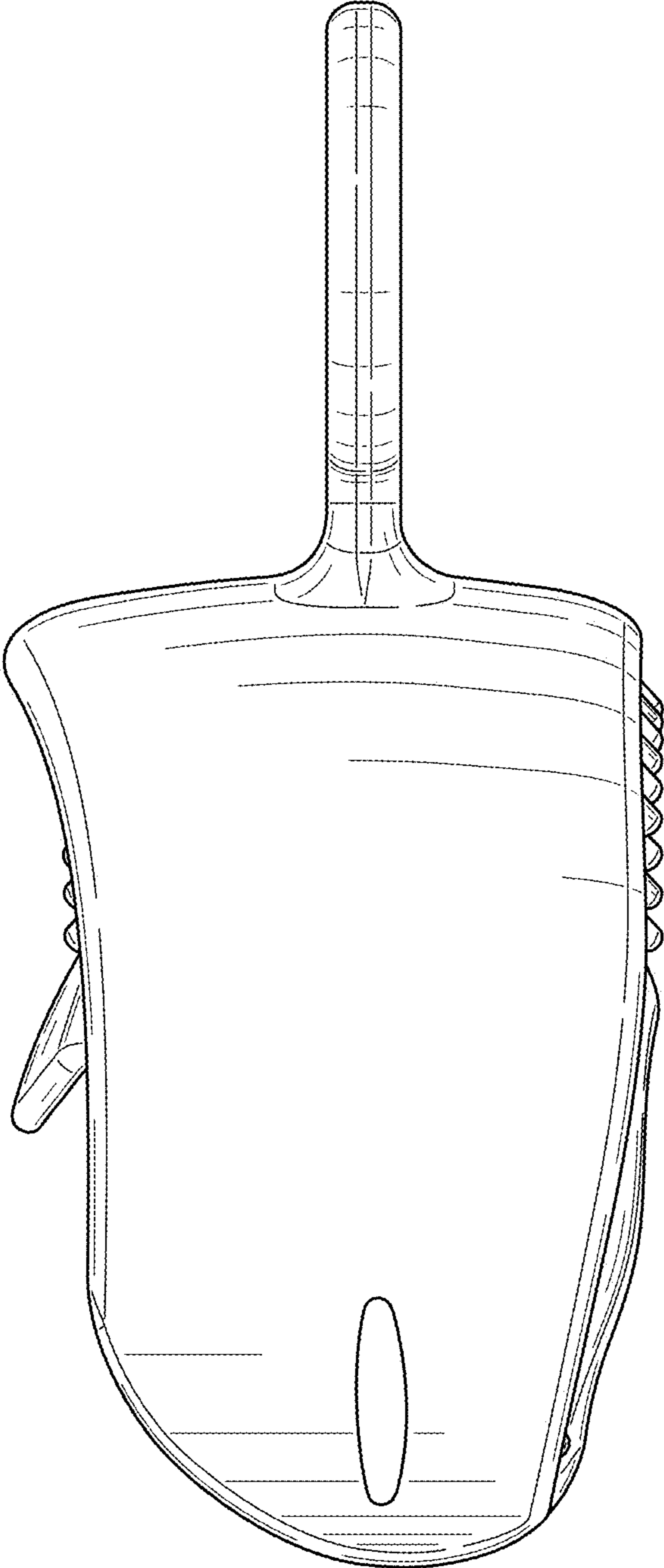


FIG. 12

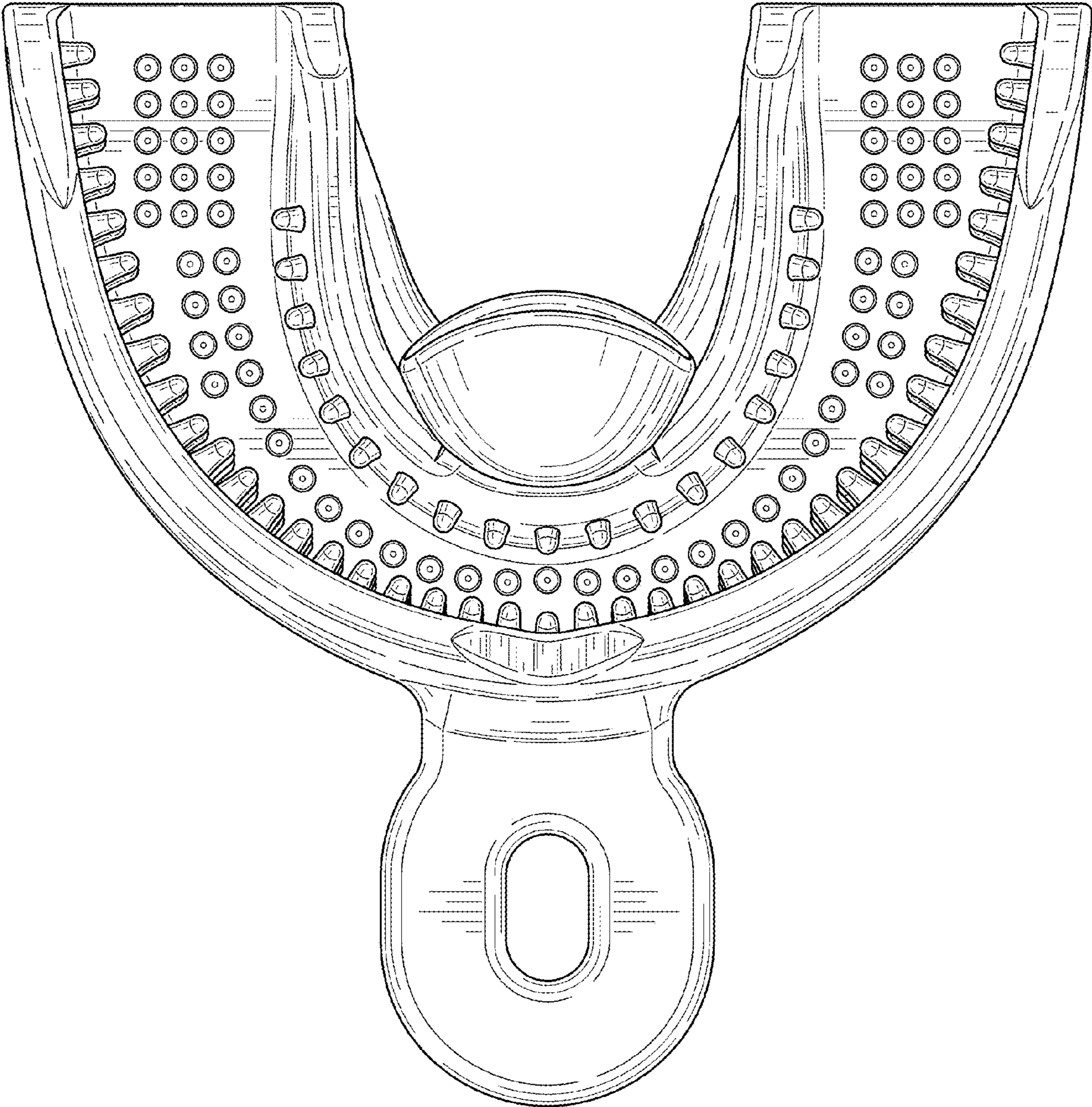


FIG. 13

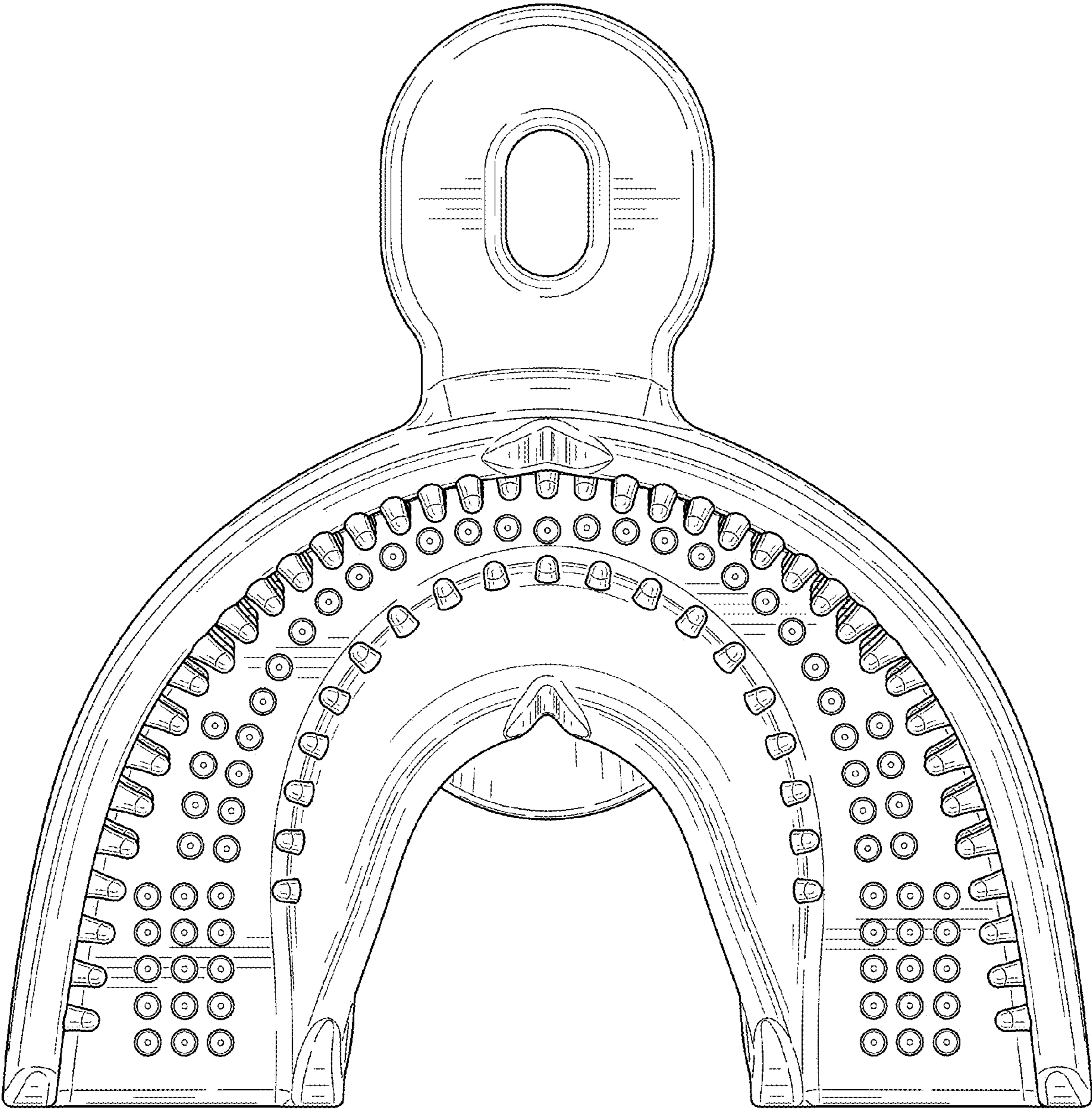


FIG. 14