

US00D962442S

(12) **United States Design Patent** (10) **Patent No.:** **US D962,442 S**
Hua (45) **Date of Patent:** **** Aug. 30, 2022**

(54) **MEDICAL APPARATUS**

(56) **References Cited**

(71) Applicant: **KONINKLIJKE PHILIPS N.V.**,
Eindhoven (NL)

U.S. PATENT DOCUMENTS

(72) Inventor: **Hao Hua**, Shanghai (CN)

D504,516 S *	4/2005	Yamazaki	D24/186
D523,555 S *	6/2006	Loerwald	D24/186
D685,093 S *	6/2013	Shimizu	D24/158
D700,339 S *	2/2014	Tan	D24/158
D700,340 S *	2/2014	Tan	D24/158
D727,506 S *	4/2015	Tan	D24/158
D751,205 S *	3/2016	Tan	D24/158
D752,224 S *	3/2016	Park	D24/158
D784,541 S *	4/2017	Hilbig	D24/186
D844,015 S *	3/2019	Meng	D14/485
D867,601 S *	11/2019	Henry	D24/186
D882,797 S *	4/2020	Avranches	D24/158
D918,397 S *	5/2021	Augustyn	D24/186

(73) Assignee: **KONINKLIJKE PHILIPS N.V.**,
Eindhoven (NL)

(**) Term: **15 Years**

(21) Appl. No.: **29/738,741**

* cited by examiner

(22) Filed: **Jun. 19, 2020**

(30) **Foreign Application Priority Data**

Primary Examiner — Anhdao Doan

Dec. 19, 2019 (EP) 007428925

(57) **CLAIM**

(51) **LOC (13) Cl.** **24-01**

The ornamental design for a medical apparatus, as shown and described.

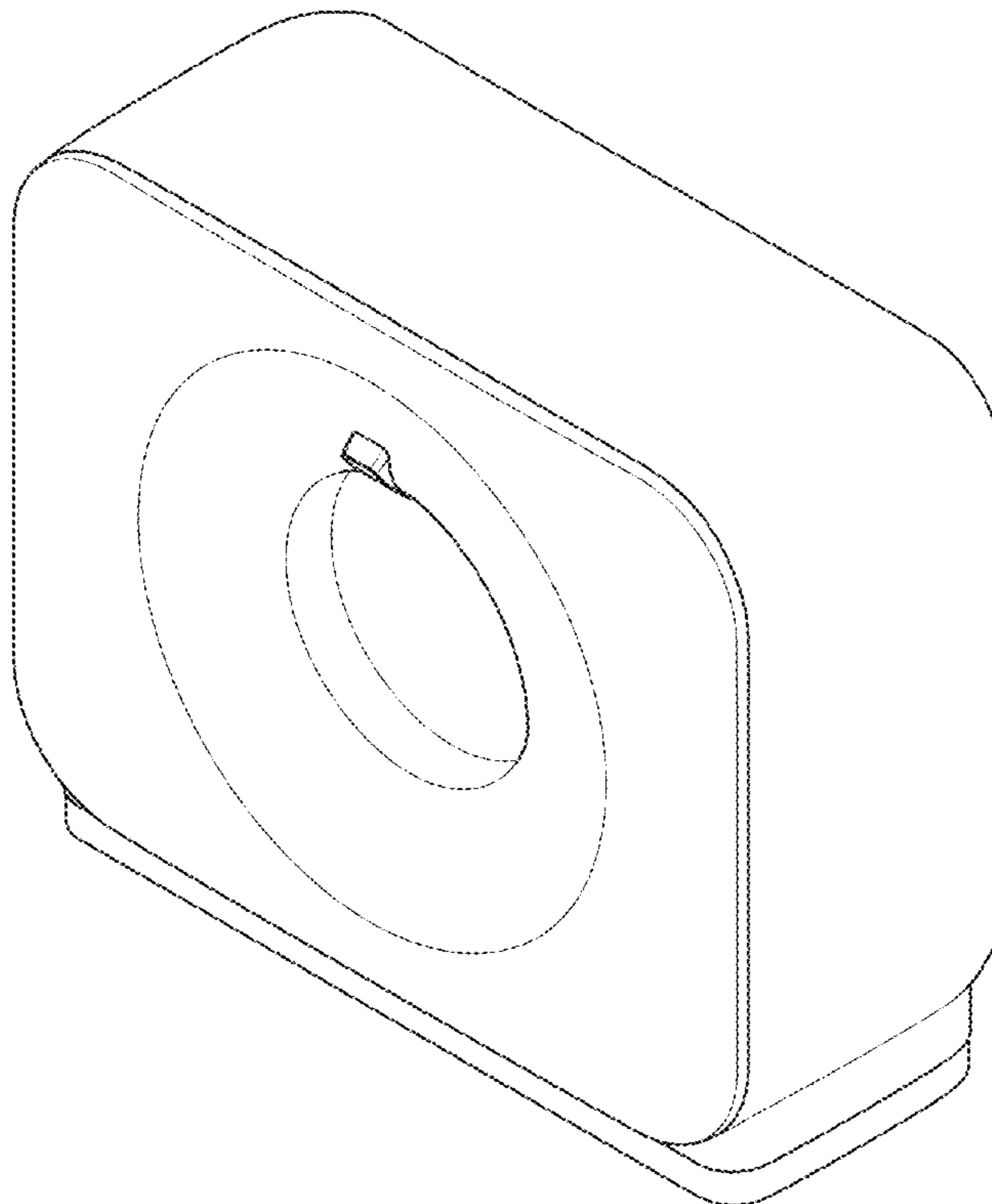
(52) **U.S. Cl.**
USPC **D24/158**

DESCRIPTION

(58) **Field of Classification Search**
USPC D24/107, 158–161, 185, 186, 187;
D14/485; D13/163, 168
CPC A61B 6/4283; A61B 6/4291; A61B 6/06;
A61B 6/4405; A61B 6/4411; A61B
6/032; A61B 5/055; H04N 5/367; G03B
42/04; G01N 2223/1016; G01N
2223/301; G01N 2223/031; G01N
2223/419; G01N 23/046; G01R 33/48
See application file for complete search history.

FIG. 1 is a perspective view of a medical apparatus;
FIG. 2 is a front elevational view thereof;
FIG. 3 is a rear elevational view thereof;
FIG. 4 is a right side elevational view thereof;
FIG. 5 is a left side elevational view thereof;
FIG. 6 is a top plan view thereof; and,
FIG. 7 is a bottom plan view thereof.
The broken lines in FIG. 3 depict portions of the medical apparatus that form no part of the claimed design.

1 Claim, 6 Drawing Sheets



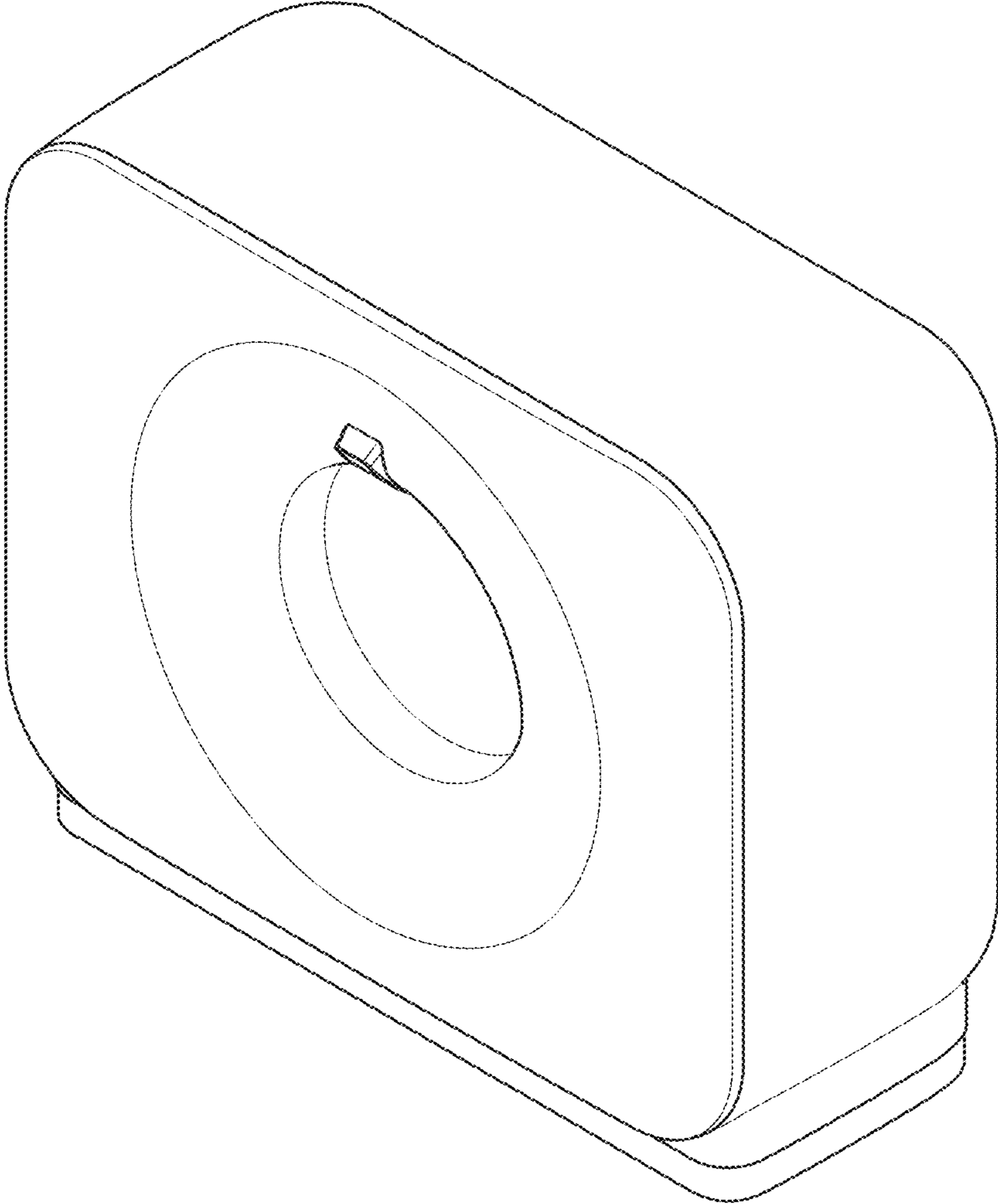


FIG. 1

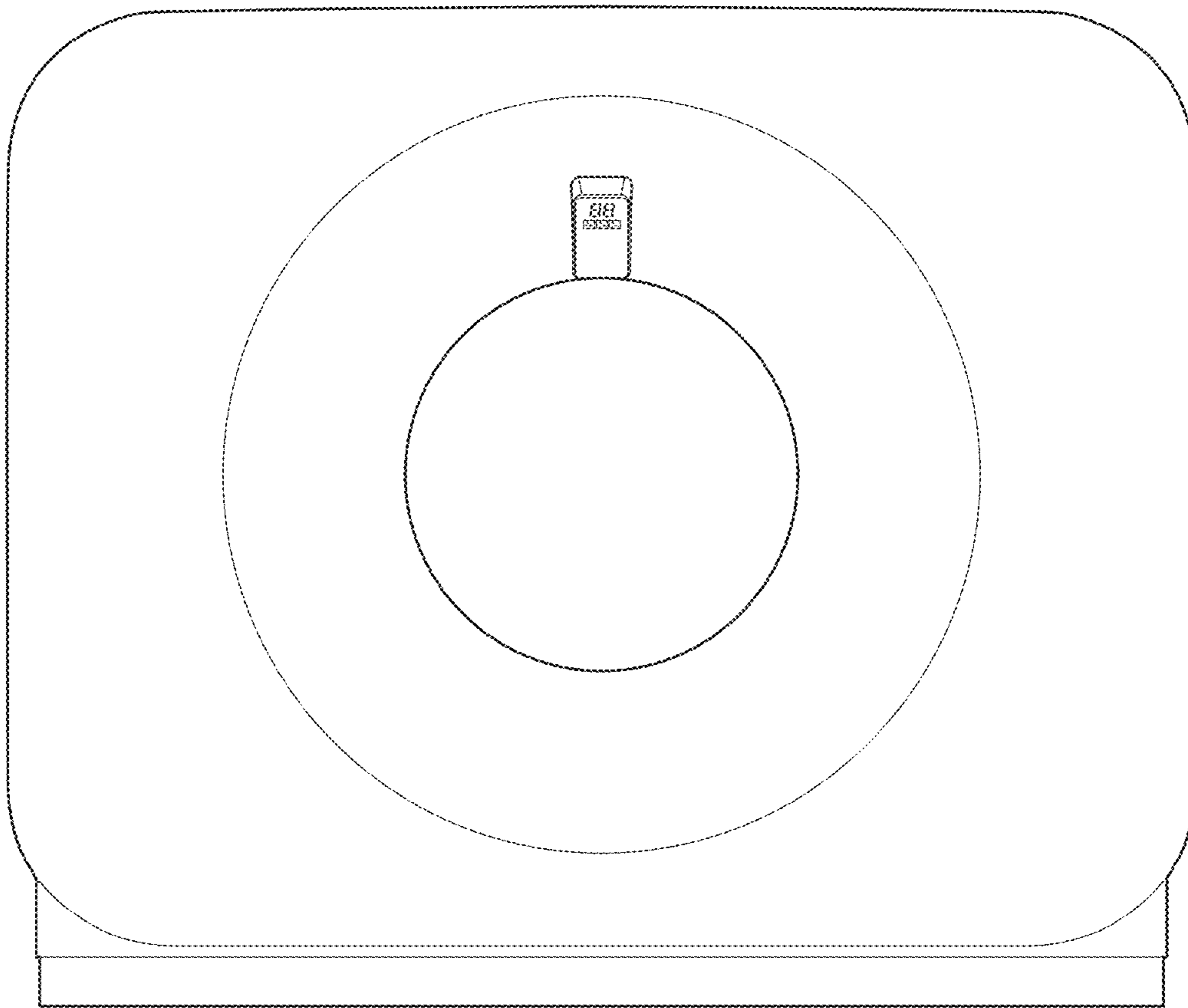


FIG. 2

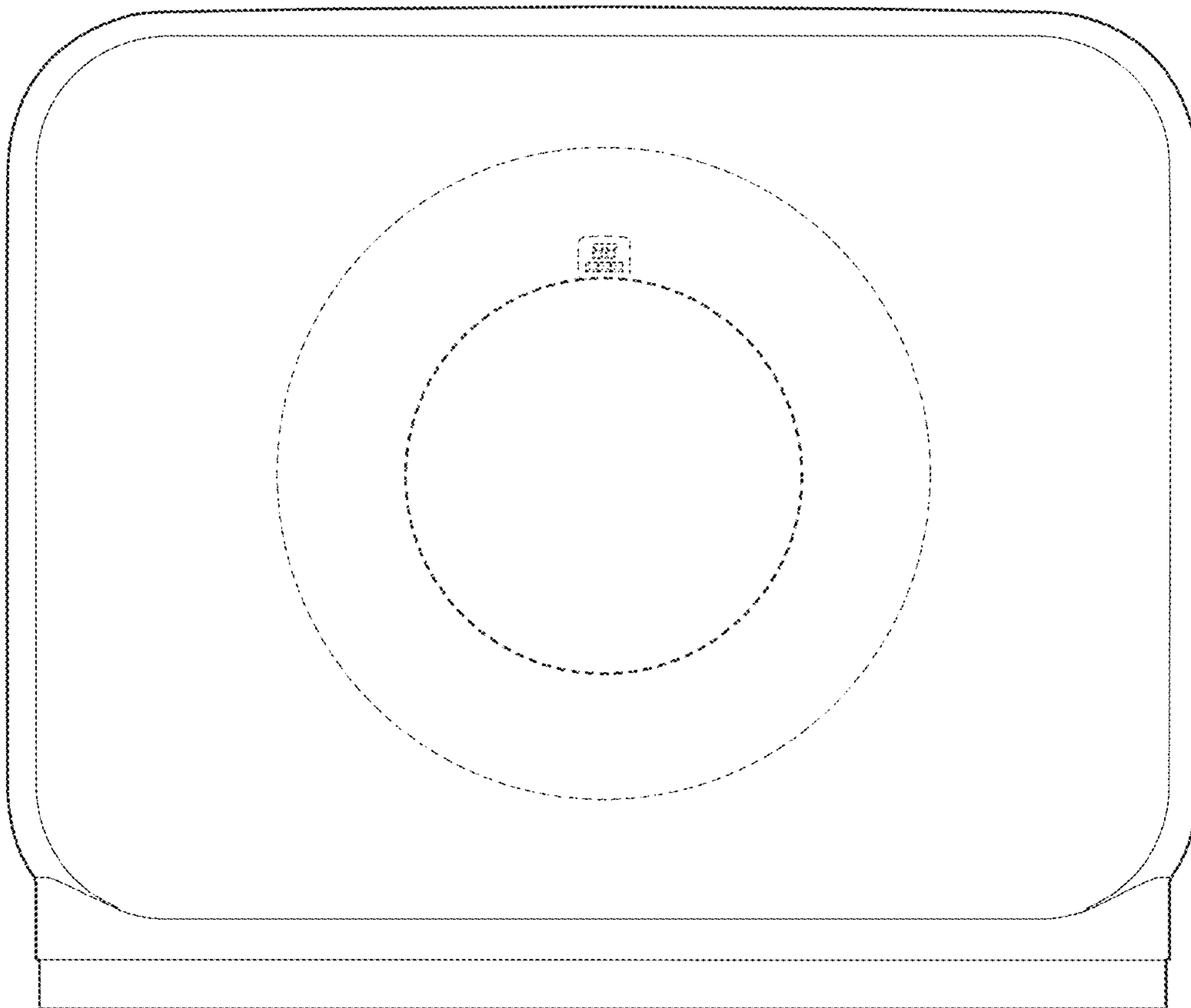


FIG. 3

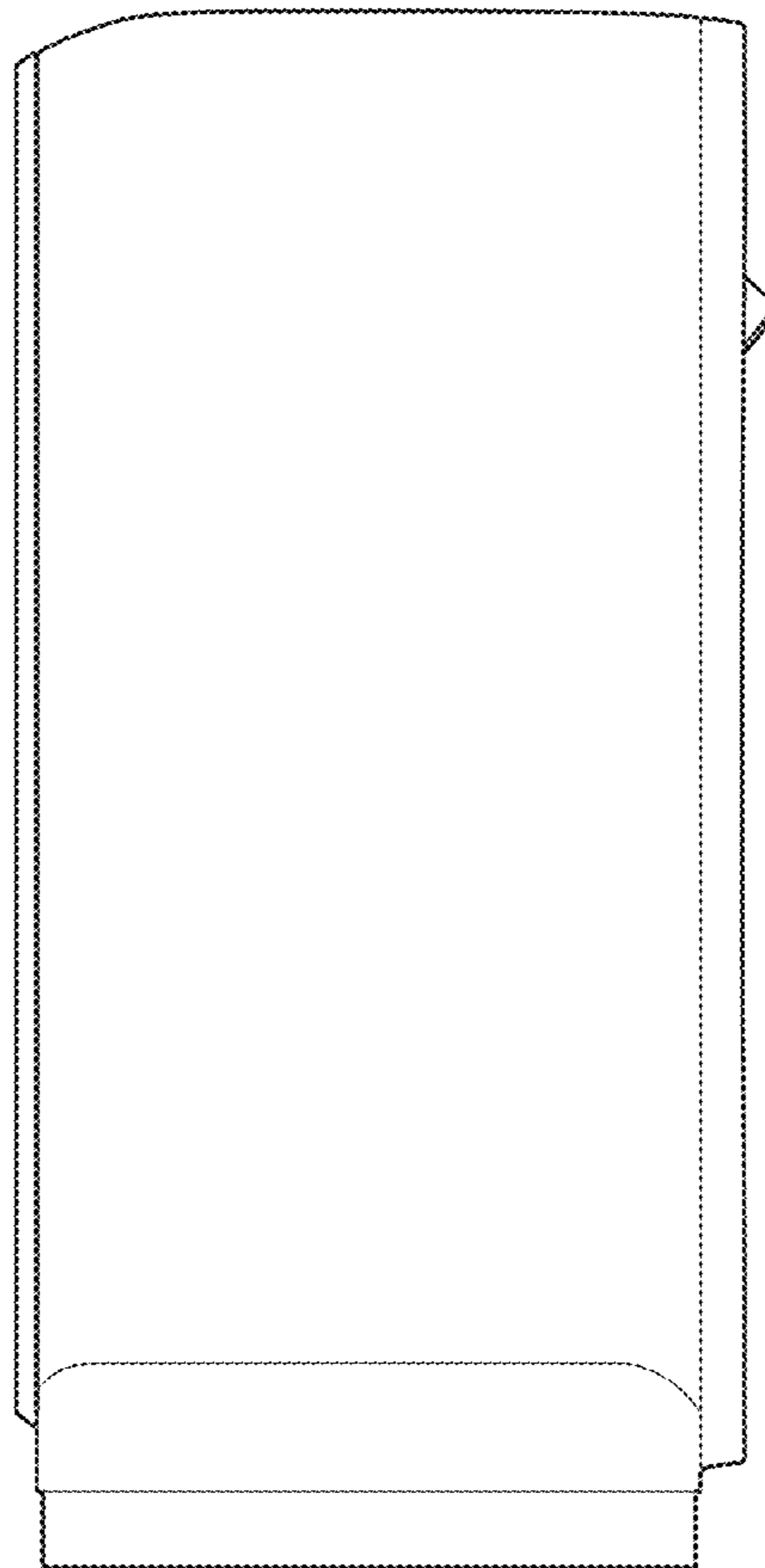


FIG. 4

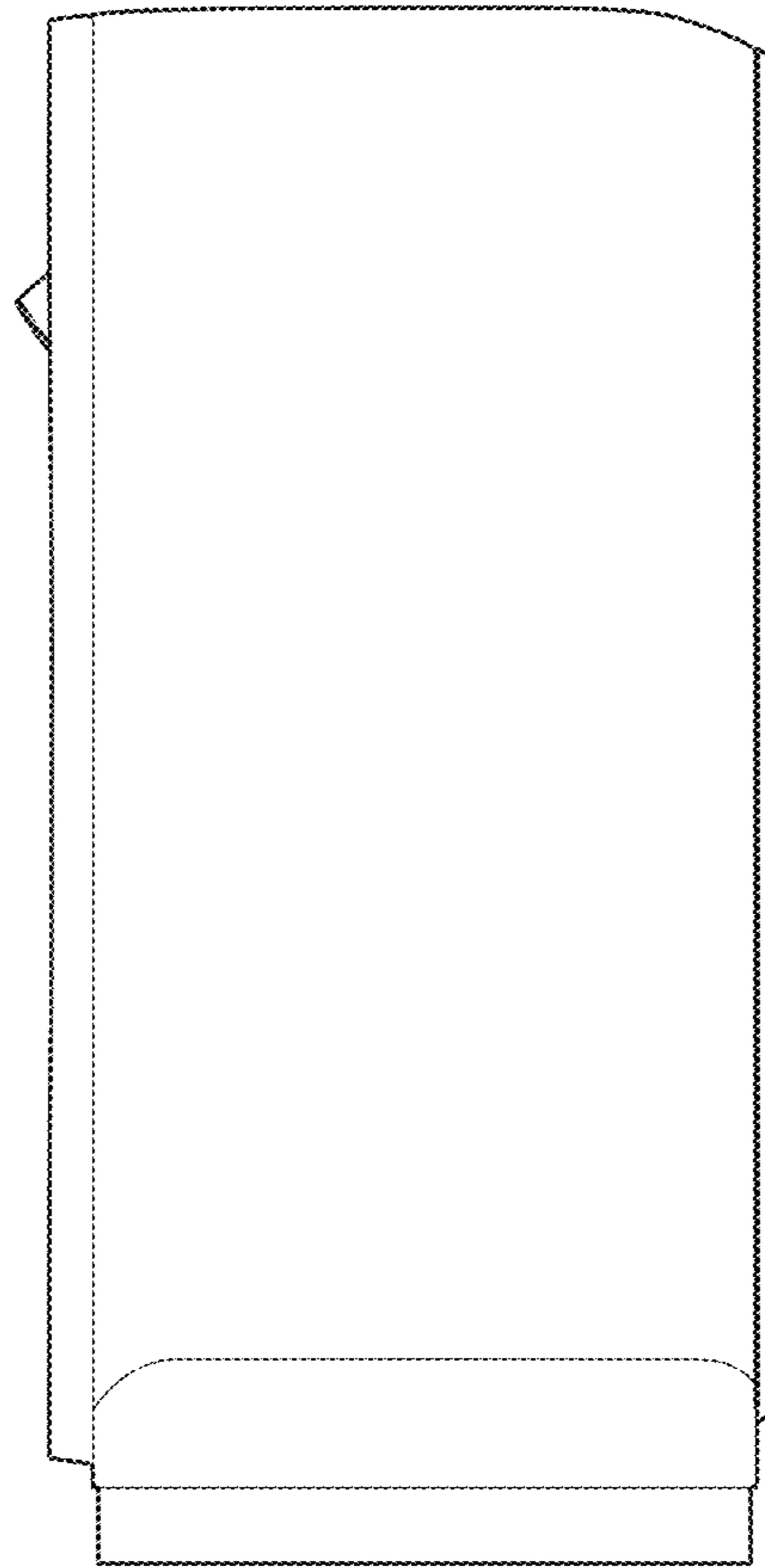


FIG. 5

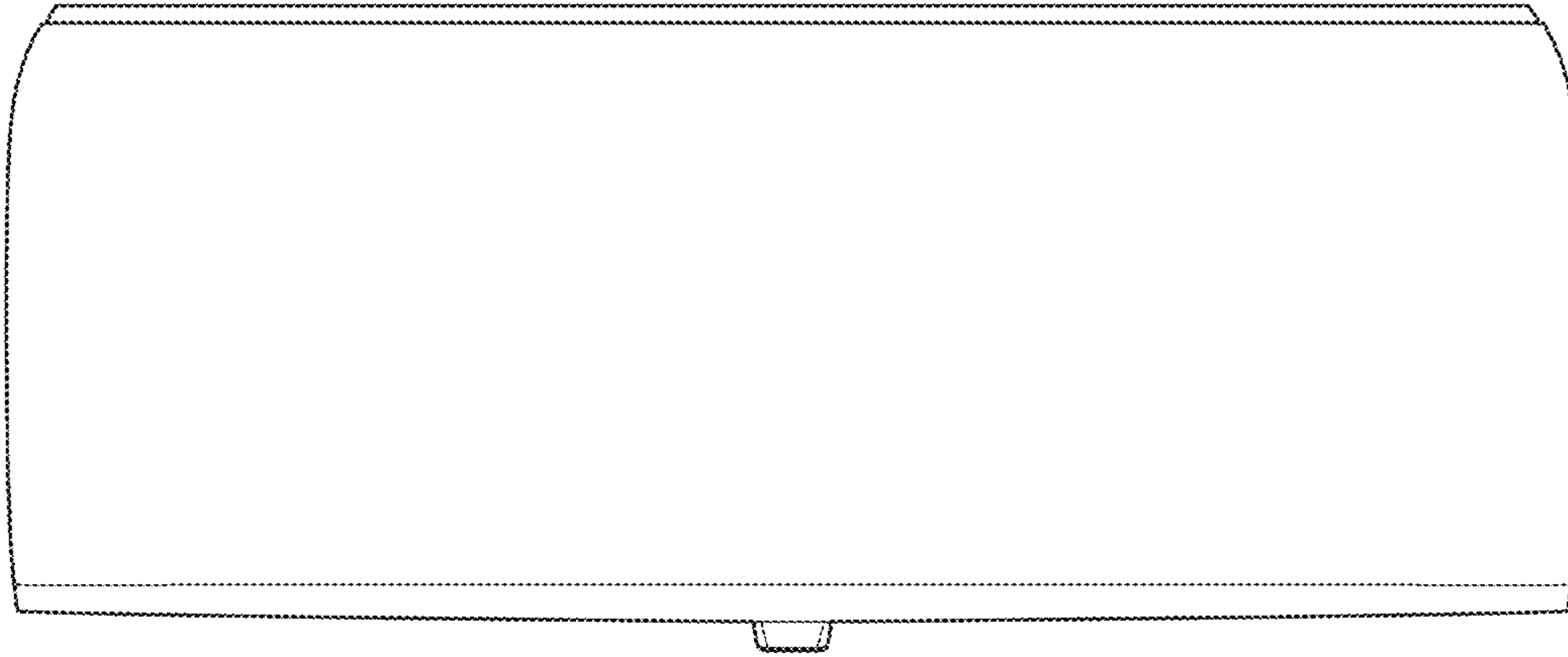


FIG. 6

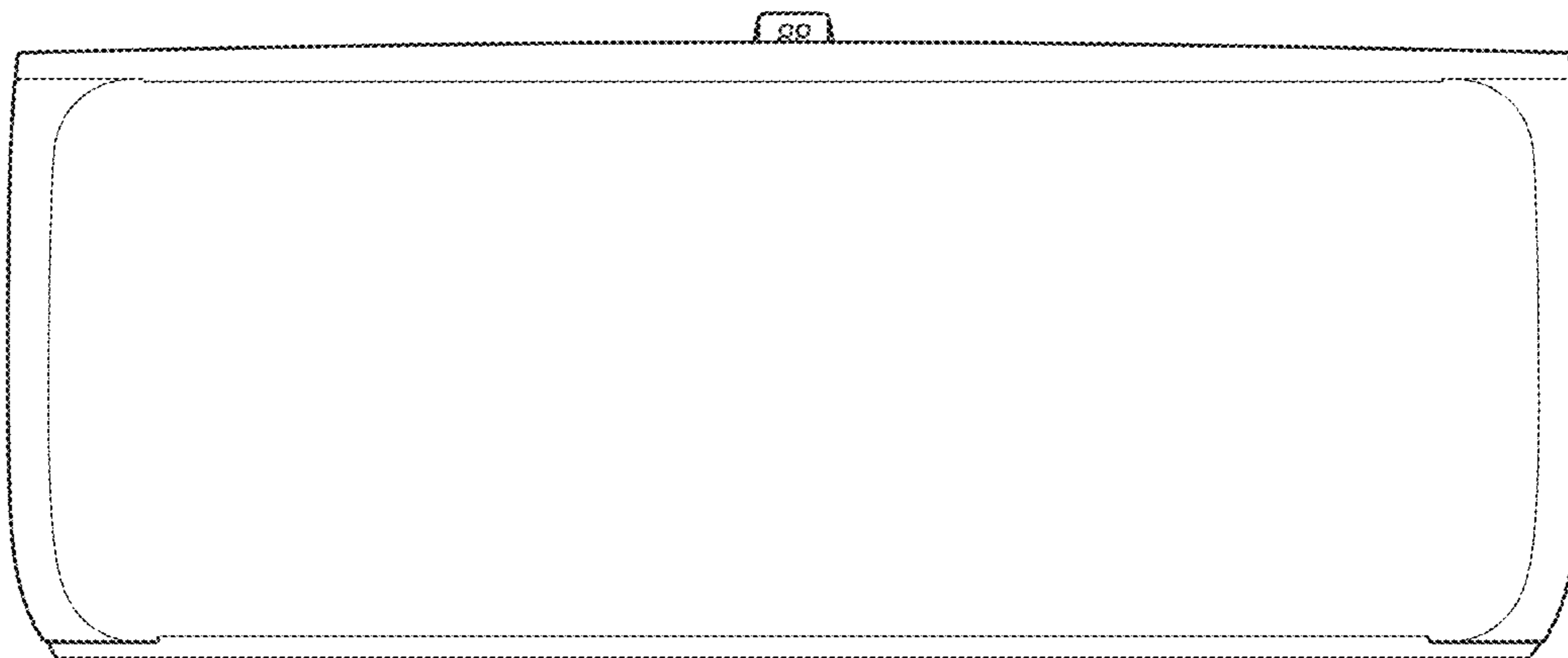


FIG. 7